



Chicago Pneumatic

Safety Information

Printed Matter No. 6159925520

Date: 2022-03 Issue No. 03

Nutrunner

Valid from Serial No. C00001

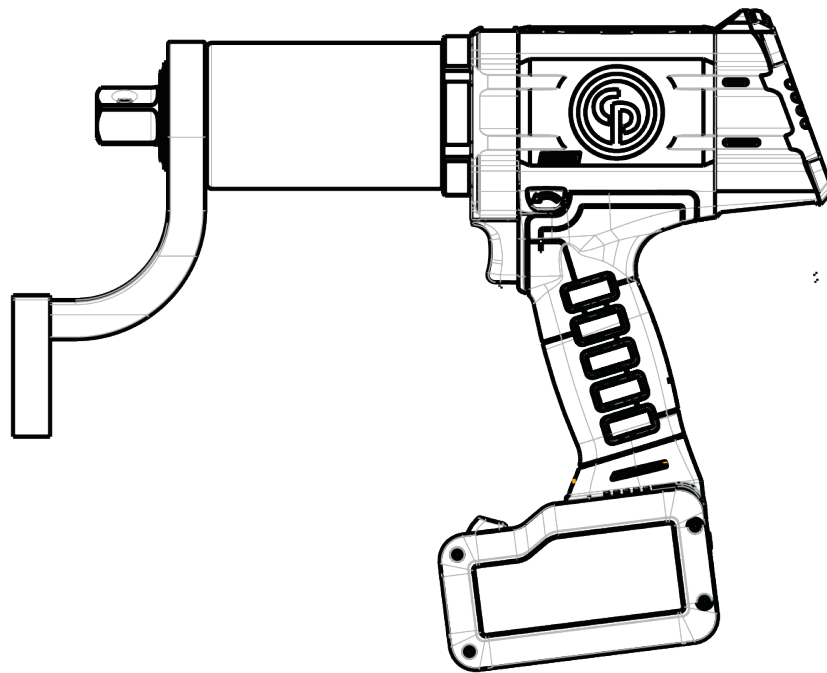
Model:

CP8613

CP8626

CP8641

CP8681



⚠ WARNING

To reduce risk of injury, everyone using, installing, repairing, maintaining, changing accessories on, or working near this tool **MUST** read and understand these instructions before performing any such task.

DO NOT DISCARD - GIVE TO USER



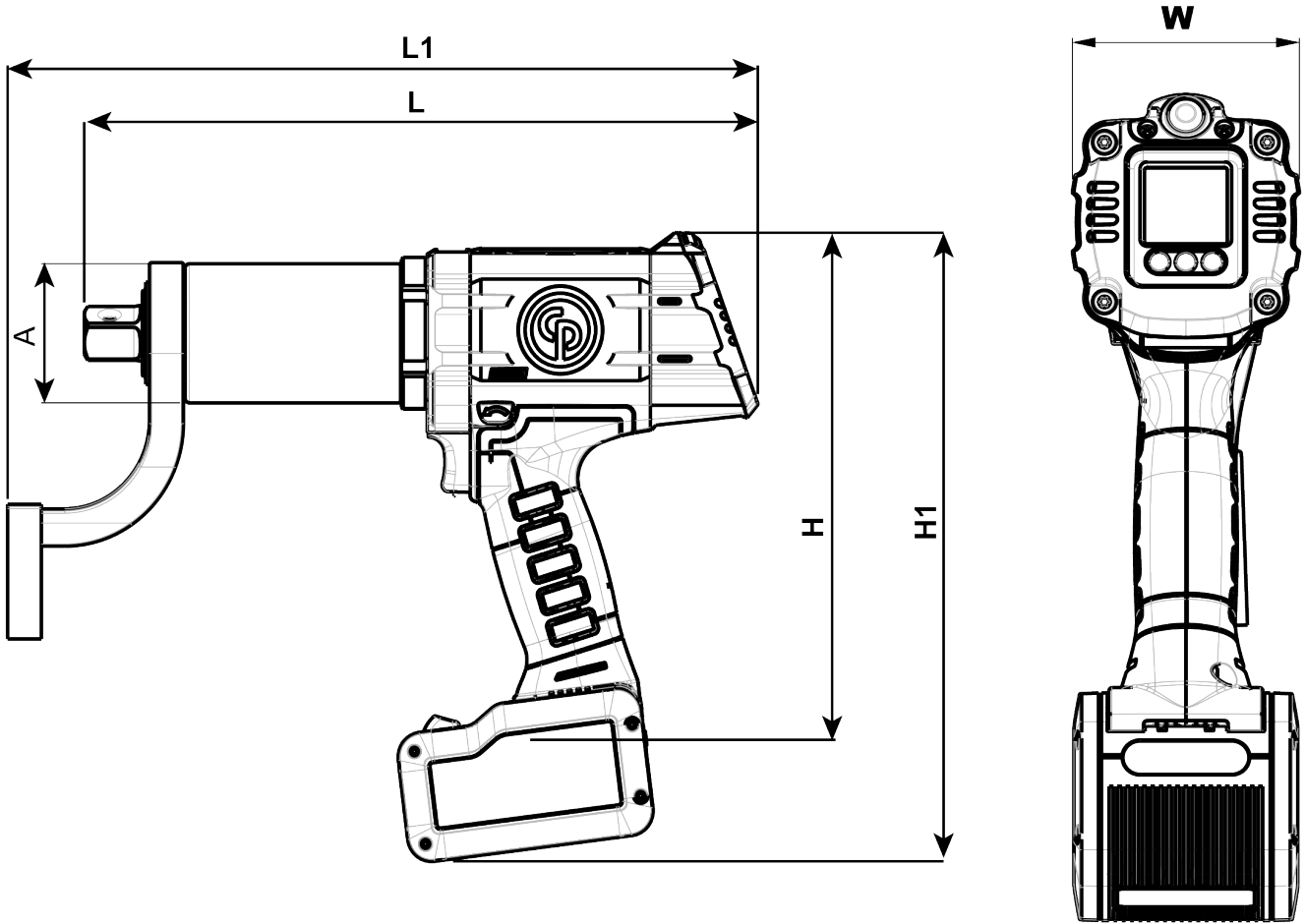


Illustration 1: Dimensions

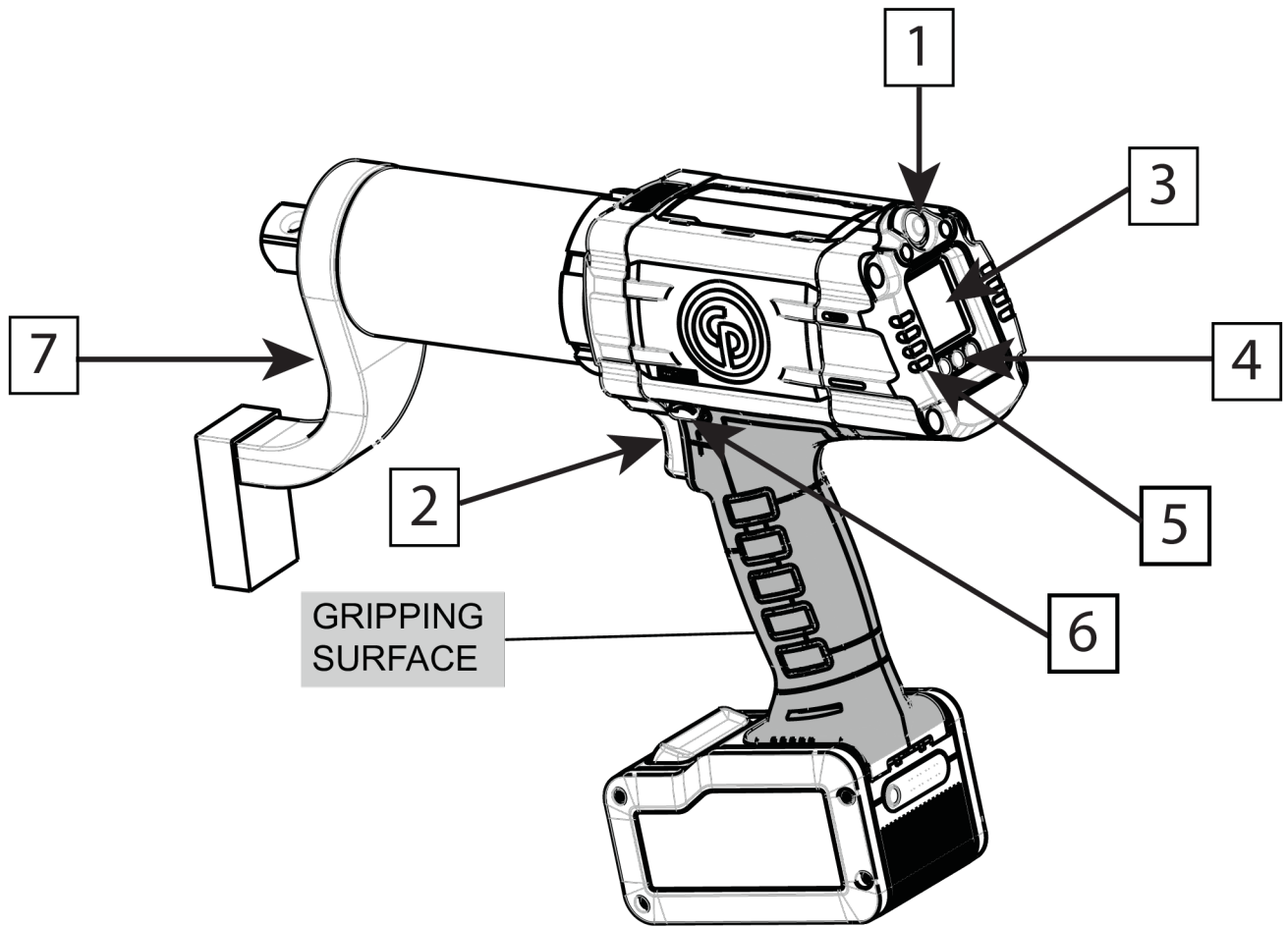
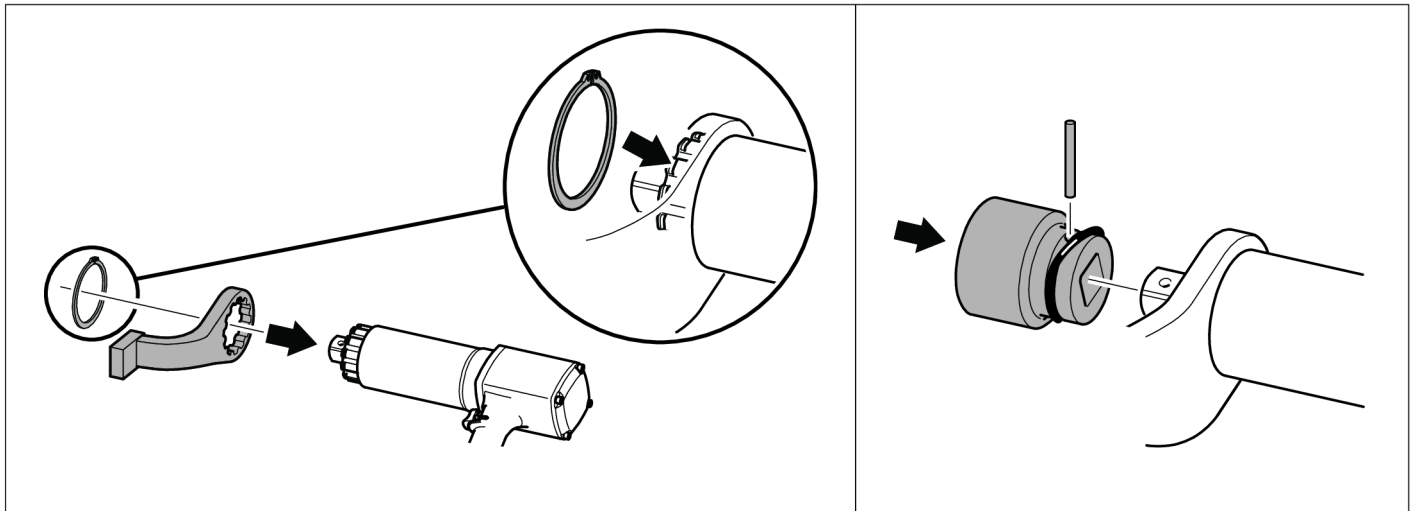
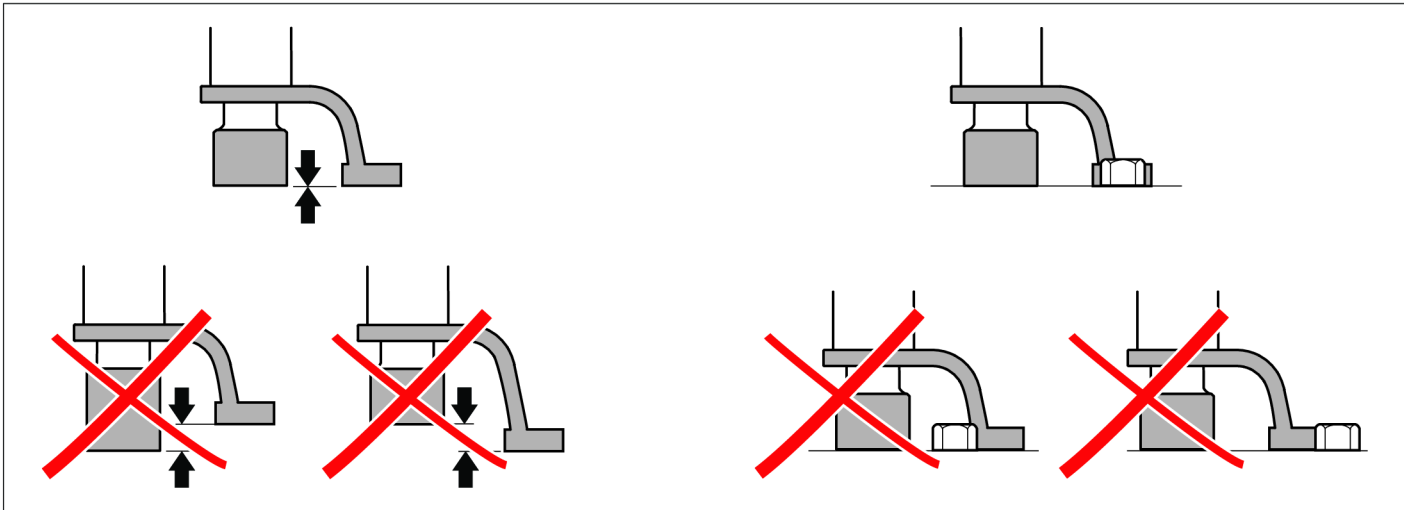
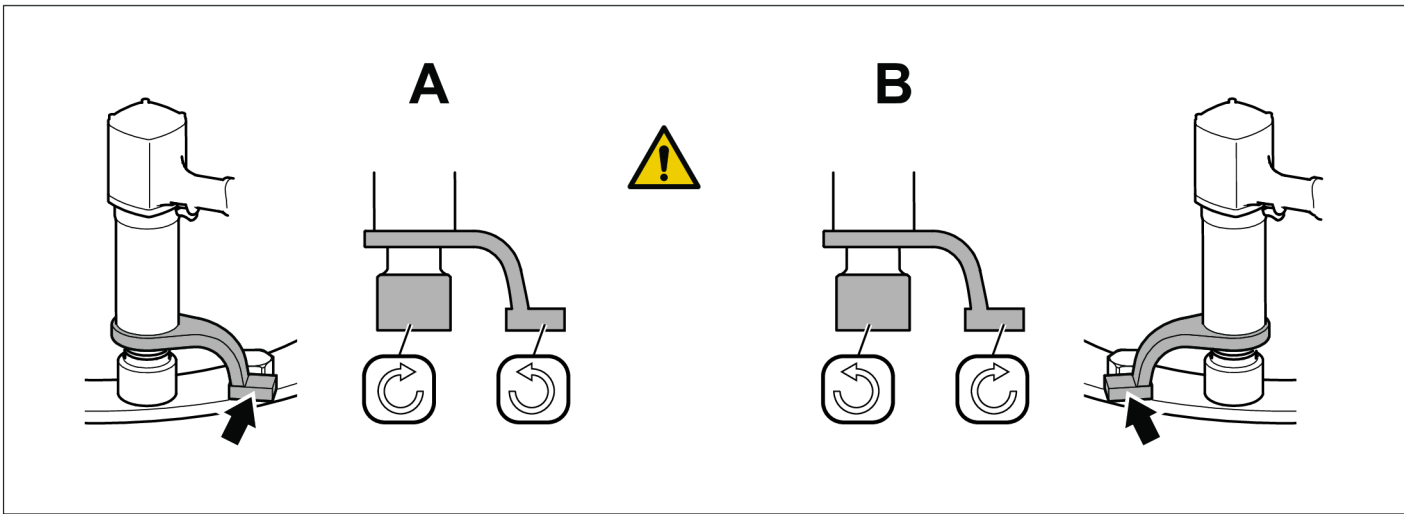
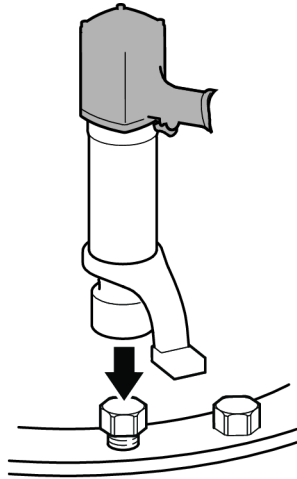
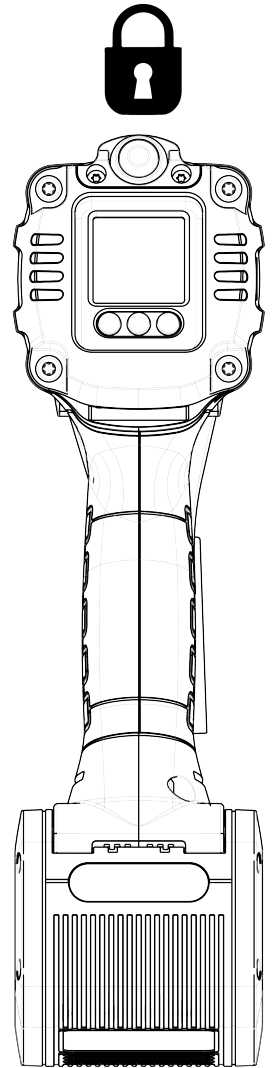
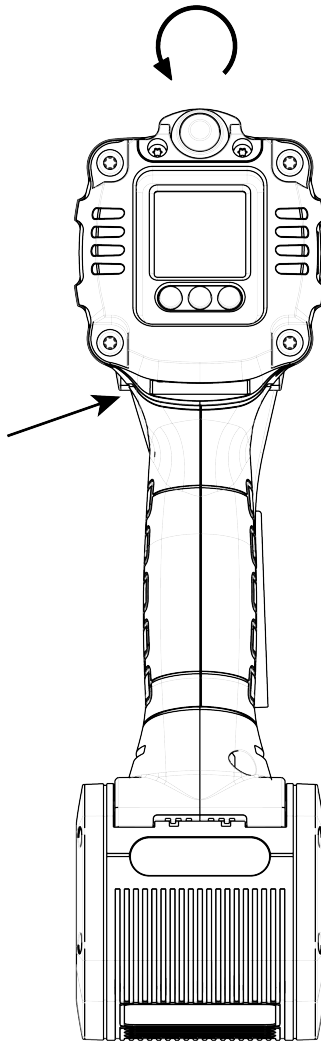
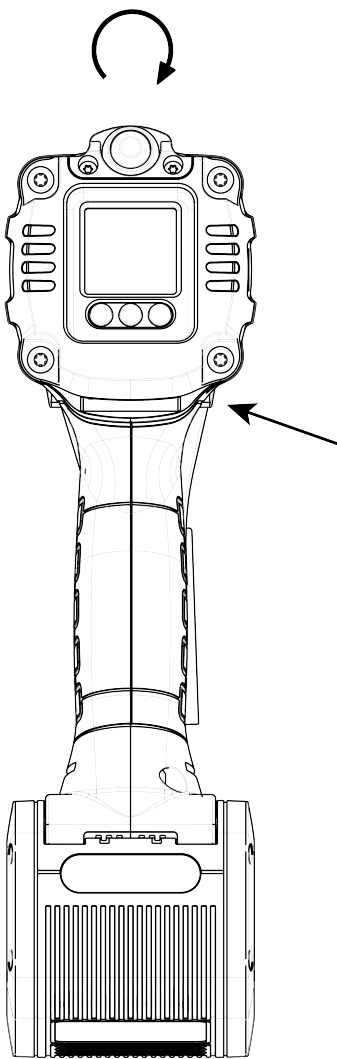
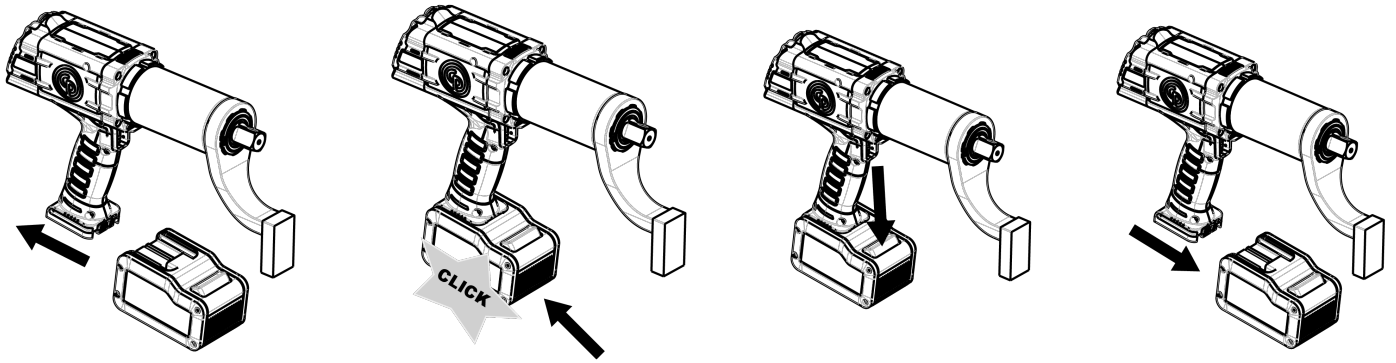


Illustration 2: Product description







	CP8613	CP8626	CP8641	CP8681
Free Speed (rpm)	10	5	3	1.2
Max. Ambient Storage Temperature (°C)	60	60	60	60
Min. Ambient Storage Temperature (°F)	-4	-4	-4	-4
Min. Ambient Storage Temperature (°C)	-20	20	20	20
Max. Ambient Storage Temperature (°F)	140	140	140	140
Min. Ambient Operating Temperature (°C)	0	0	0	0
Min. Ambient Operating Temperature (°F)	32	32	32	32
Max. Ambient Operating Temperature (°C)	60	60	60	60
Max. Ambient Operating Temperature (°F)	140	140	140	140
Max. Recommended Ambient Charging Temperature (°C)	45	45	45	45
Max. Recommended Ambient Charging Temperature (°F)	113	113	113	113
Min. Recommended Ambient Charging Temperature (°C)	0	0	0	0
Min. Recommended Ambient Charging Temperature (°F)	32	32	32	32
Max. Torque Rev. (Nm)	1300	2600	4100	8100
Max. Torque Rev. (ft.lb)	958	1917	3024	5974
Max. Torque Rev. (")	3/4	1	1	1 1/2
Battery capacity (Ah)	2.5	2.5	2.5	2.5
Battery voltage (V)	36	36	36	36
Weight (kg)	4.5	6.4	10.6	15.7
Weight (lb)	8.8	14.3	23.3	34.6
W (mm)	77	77	101	106
W (")	3	3	4	4.1
L (mm)	318	363	409	414
L (")	12.5	14.3	16.1	16.3
L1 (mm)	353	408	451	479
L1 (")	13.9	16	17.7	18.8
H (mm)	218	218	218	218
H (")	8.6	8.6	8.6	8.6
H1 (mm)	285	285	285	285
H1 (")	11.2	11.2	11.2	11.2
A (mm)	63	67	81	102
A (")	2.5	2.6	3.2	4

Table of Contents

EN	Safety Information.....	8
FR	Informations concernant la sécurité	14
DE	Sicherheitshinweise.....	20
ES	Información sobre seguridad.....	26
PT	Informação de Segurança.....	32
IT	Informazioni sulla sicurezza.....	37
NL	Veiligheidsinformatie.....	42
DA	Sikkerhedsoplysninger	48
NO	Sikkerhetsinformasjon.....	53
FI	Turvallisuustiedot.....	58
EL	Πληροφορίες για την ασφάλεια	63
SV	Säkerhetsinformation	70
RU	Информация по технике безопасности	75
PL	Informacje dotyczące bezpieczeństwa	81
SK	Bezpečnostné informácie	87
CS	Bezpečnostní informace	93
HU	Biztonsággal kapcsolatos tudnivalók	98
SL	Varnostne informacije.....	103
RO	Informații privind siguranța	109
TR	Güvenlik bilgileri	114
BG	Информация за безопасност.....	119
HR	Sigurnosne informacije	125
ET	Ohutus informatsioon.....	130
LT	Saugos informacija.....	136
LV	Drošības informācija	141
ZH	安全信息.....	146
JA	安全情報.....	150
KO	안전 정보.....	156

Technical Data

Product description

Please refer Illustration. 2: Product description

- 1 Second trigger
- 2 Principle trigger
- 3 Display screen
- 4 Settings buttons
- 5 Reporting LEDs
- 6 Reverse button
- 7 Reaction bar s-type (delivered with the tool)

Declarations

EU DECLARATION OF CONFORMITY

We, **CHICAGO PNEUMATIC Tool Co.LLC**
1815 Clubhouse Road, Rock Hill, SC 29730 - USA, declare under our sole responsibility that the product (with name, type and serial number, see front page) is in conformity with the following Directive(s):
2006/42/EC; 2011/65/UE; 2014/53/UE

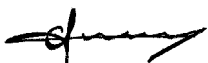
Harmonized standards applied: EN 62841-2-2:2014 + AC1:2015; EN 55014-1:2017+11:2020; EN 55014-2:2015; EN 61000-6-2:2019; EN 61000-6-3:2007 + A1:2011; EN 300328V222; EN 301489-17V324; EN 301489-1V223; EN 62311:2008; EN 62479:2010

Authorities can request relevant technical information from:
Pascal Roussy, R&D Manager, Ets Georges Renault, 38 rue Bobby Sands, BP10273 44818 Saint Herblain, France

Saint-Herblain, 2022/01/26

Pascal ROUSSY

Signature of issuer



UK Declaration of Conformity

We **CHICAGO PNEUMATIC Tool Co.LLC**,
1815 Clubhouse Road, Rock Hill, SC 29730-
USA, declare under our sole responsibility that the product (with name, type and serial number, see front page) is in conformity with the following UK Regulation(s):

Supply of Machinery (Safety) Regulations 2008

The Restriction of the Use of Certain Hazardous Substances in Electrical and Electronic Equipment Regulations 2012

Radio Equipment Regulations 2017



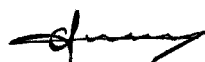
Designated Standards applied:

EN 62841-2-2:2014 + AC1:2015; EN 55014-1:2017+11:2020; EN 55014-2:2015; EN 61000-6-2:2019; EN 61000-6-3:2007 + A1:2011; EN 300328V222; EN 301489-17V324; EN 301489-1V223; EN 62311:2008; EN 62479:2010

Saint-Herblain, 2022/02/28

Pascal ROUSSY

Signature of issuer



Authorities can request relevant technical information from:

UK Authorized Representative:

Air Compressors & Tools Ltd

Zodiac – Unit 4, Boundary way

Hemel Hempstead Industrial Estate, HP27SJ Hempsstead

Hertfordshire – UK

Contact: M.Taylor

FCC compliance Class B

This device complies with Part 15 of the FCC Rules. Any changes or modifications not expressly approved by the manufacturer could void the user's authority to operate this device.

Operation is subject to the following two conditions:(1) this device may not cause harmful interference, and (2) this device must accept any interference received, including interference that may cause undesired operation.

FCC Responsible party:

Name: Mark Johnson

Position: General Manager

Address: Chicago Pneumatic Tool Company
LLC 1815 Clubhouse Road Rock Hill
SC 29730

USA

Mobile: +1 800 624 4735

Email: mark.johnson@desouttertools.com

ⓘ This equipment has been tested and found to comply with the limits for a Class B digital device, pursuant to part 15 of the FCC Rules. These limits are designed to provide reasonable protection against harmful interference in a residential installation. This equipment generates, uses and can radiate radio frequency energy and, if not installed and used in accordance with the instructions, may cause harmful interference to radio communications. However, there is no guarantee that interference will not occur in a particular installation. If this equipment does cause harmful interference to radio or television reception, which can be determined by turning the equipment off and on, the user is encouraged to try to correct the interference by one or more of the following measures:

- Reorient or relocate the receiving antenna.
- Increase the separation between the equipment and receiver.
- Connect the equipment into an outlet on a circuit different from that to which the receiver is connected.
- Consult the dealer or an experienced radio/TV technician for help.

IC compliance Class B

CAN ICS-3(B)/NMB-3(B)

(English) This device complies with Innovation, Science and Economic Development Canada’s licence-exempt RSSs. Operation is subject to the following two conditions:

- (1) This device may not cause interference; and
- (2) This device must accept any interference, including interference that may cause undesired operation of the device.

(French) Le présent appareil est conforme aux CNR d’Innovation, Sciences et Développement économique Canada applicables aux appareils radio exempts de licence. L’exploitation est autorisée aux deux conditions suivantes:

- 1) l’appareil ne doit pas produire de brouillage;
- 2) l’appareil doit accepter tout brouillage radioélectrique subi, même si le brouillage est susceptible d’en compromettre le fonctionnement.

Conformity to North American Standards



Listed
 Conforms to UL std. 62841-1 and UL std. 62841-2-2
 Certified to CSA Std. C22.2 No. 62841-1 and CSA Std. C22.2 No. 62841-2-2

5019646

Noise and Vibration Declaration Statement

- Sound pressure level < 72 dB(A) , uncertainty 3 dB(A), in accordance with EN 62841-2-2:2015.
- Sound power level < 83 dB(A) , uncertainty 3 dB(A), in accordance with EN 62841-2-2:2015.
- Vibration total value < 2.5 m/s², uncertainty 3 m/s², in accordance with EN 62841-2-2:2015.

These declared values were obtained by laboratory type testing in accordance with the stated standards and are suitable for comparison with the declared values of other tools tested in accordance with the same standards. These declared values are not adequate for use in risk assessments and values measured in individual work places may be higher. The actual exposure values and risk of harm experienced by an individual user are unique and depend upon the way the user works, the workpiece and the workstation design, as well upon the exposure time and the physical condition of the user.

We, **CHICAGO PNEUMATIC Tool Co.LLC**, cannot be held liable for the consequences of using the declared values, instead of values reflecting the actual exposure, in an individual risk assessment in a work place situation over which we have no control.

This tool may cause hand-arm vibration syndrome if its use is not adequately managed. An EU guide to managing hand-arm vibration can be found by accessing <http://www.pneurop.eu/index.php> and selecting 'Tools' then 'Legislation'.

We recommend a programme of health surveillance to detect early symptoms which may relate to noise or vibration exposure, so that management procedures can be modified to help prevent future impairment.

ⓘ If this equipment is intended for fixtured applications: The noise emission is given as a guide to the machine-builder. Noise and vibration emission data for the complete machine should be given in the instruction manual for the machine.

Wireless communication specifications

BLUETOOTH LOW ENERGY 4.2®

Frequency: 2400 MHz - 2483.5MHz

EIRP: <10 dBm

The Bluetooth® word mark and logos are registered trademarks owned by Bluetooth SIG, Inc

RF Exposure Statement

This portable transmitter has been tested and found to comply with FCC General Population RF Radiation Exposure limits set forth for an uncontrolled environment and meets the FCC radio frequency (RF) Exposure Guidelines. The antenna used for this device must not be co-located or operating in conjunction with any other antenna or transmitter.

Regional Requirements

⚠ WARNING

This product can expose you to chemicals including lead, which is known to the State of California to cause cancer and birth defects or other reproductive harm. For more information go to

<https://www.p65warnings.ca.gov/>

Safety

DO NOT DISCARD - GIVE TO USER

⚠️ WARNING Read all safety warnings, instructions, illustrations and specifications provided with this product.

Failure to follow all instructions listed below may result in electric shock, fire, property damage and/or serious injury.

Save all warnings and instructions for future reference.

⚠️ WARNING All locally legislated safety rules regarding installation, operation and maintenance shall be respected at all times.

Statement of Use

- For professional use only.
- This product and its accessories must not be modified in any way.
- Do not use this product if it has been damaged.
- If the product data or hazard warning signs on the product cease to be legible or become detached, replace without delay.
- The product must only be installed, operated and serviced by qualified personnel in an industrial environment.

Intended Use

This product is intended to be used only by adults who have read and understood the instructions and warnings in this manual and can be considered responsible for their actions.

- This product is designed for installing and removing threaded fasteners in wood, metal or plastic.
- Indoor use only.
- Do not use the product for any other purpose not described above.
- No other use permitted

Recommended Batteries

8940176068: CP36XP25

Recommended charger

8940176069: CP18-36CH

Recommended Reaction bar

Use reaction bar (7) delivered with the tool. For other models referred to reaction bar document reference 6159923710

General Power Tool Safety Warnings

⚠️ WARNING Read all safety warnings, instructions, illustrations and specifications provided with this product.

Failure to follow all instructions listed below may result in electric shock, fire, property damage and/or serious injury.

Save all warnings and instructions for future reference.

The term "power tool" in the warnings refers to your mains-operated (corded) power tool or battery-operated (cordless) power tool.

Work area safety

- **Keep work area clean and well lit.** Cluttered or dark areas invite accidents.
- **Do not operate power tools in explosive atmospheres, such as in the presence of flammable liquids, gases or dust.** Power tools create sparks which may ignite the dust or fumes.
- **Keep children and bystanders away while operating a power tool.** Distractions can cause you to lose control.

Electrical safety

- **Power tool plugs must match the outlet. Never modify the plug in any way. Do not use any adapter plugs with earthed (grounded) power tools.** Unmodified plugs and matching outlets will reduce risk of electric shock.
- **Avoid body contact with earthed or grounded surfaces, such as pipes, radiators, ranges and refrigerators.** There is an increased risk of electric shock if your body is earthed or grounded.
- **Do not expose power tools to rain or wet conditions.** Water entering a power tool will increase the risk of electric shock.
- **Do not abuse the cord. Never use the cord for carrying, pulling or unplugging the power tool. Keep cord away from heat, oil, sharp edges or moving parts.** Damaged or entangled cords increase the risk of electric shock.
- **When operating a power tool outdoors, use an extension cord suitable for outdoor use.** Use of a cord suitable for outdoor use reduces the risk of electric shock.
- **If operating a power tool in a damp location is unavoidable, use a residual current device (RCD) protected supply.** Use of an RCD reduces the risk of electric shock.

Personal safety

- **Stay alert, watch what you are doing and use common sense when operating a power tool. Do not use a power tool while you are tired or under the influence of drugs, alcohol or medication.** A moment of inattention while operating power tools may result in serious personal injury.

- **Use personal protective equipment. Always wear eye protection.** Protective equipment such as dust mask, non-skid safety shoes, hard hat, or hearing protection used for appropriate conditions will reduce personal injuries.
- **Prevent unintentional starting. Ensure the switch is in the off-position before connecting to power source and/or battery pack, picking up or carrying the tool.** Carrying power tools with your finger on the switch or energising power tools that have the switch on invites accidents.
- **Remove any adjusting key or wrench before turning the power tool on.** A wrench or a key left attached to a rotating part of the power tool may result in personal injury.
- **Do not overreach. Keep proper footing and balance at all times.** This enables better control of the power tool in unexpected situations.
- **Dress properly. Do not wear loose clothing or jewellery. Keep your hair and clothing away from moving parts.** Loose clothes, jewellery or long hair can be caught in moving parts.
- **If devices are provided for the connection of dust extraction and collection facilities, ensure these are connected and properly used.** Use of dust collection can reduce dust-related hazards.
- **Do not let familiarity gained from frequent use of tools allow you to become complacent and ignore tool safety principles.** A careless action can cause severe injury within a fraction of a second.
- **Hold the power tool by insulated gripping surfaces, when performing an operation where the fastener may contact hidden wiring.** Fasteners contacting a "live" wire may make exposed metal parts of the power tool "live" and could give the operator an electric shock.

Power tool use and care

- **Do not force the power tool. Use the correct power tool for your application.** The correct power tool will do the job better and safer at the rate for which it was designed.
- **Do not use the power tool if the switch does not turn it on and off.** Any power tool that cannot be controlled with the switch is dangerous and must be repaired.
- **Disconnect the plug from the power source and/or the battery pack, if detachable, from the power tool before making any adjustments, changing accessories, or storing power tools.** Such preventive safety measures reduce the risk of starting the power tool accidentally.
- **Store idle power tools out of the reach of children and do not allow persons unfamiliar with the power tool or these instructions to operate the power tool.** Power tools are dangerous in the hands of untrained users.
- **Maintain power tools and accessories. Check for misalignment or binding of moving parts, breakage of parts and any other condition that may affect the power tool's operation. If damaged, have the power tool repaired before use.** Many accidents are caused by poorly maintained power tools.

- **Keep cutting tools sharp and clean.** Properly maintained cutting tools with sharp cutting edges are less likely to bind and are easier to control.
- **Use the power tool, accessories and tool bits etc. in accordance with these instructions, taking into account the working conditions and the work to be performed.** Use of the power tool for operations different from those intended could result in a hazardous situation.
- **Keep handles and grasping surfaces dry, clean and free from oil and grease.** Slippery handles and grasping surfaces do not allow for safe handling and control of the tool in unexpected situations.

Battery tool use and care

- **Recharge only with the charger specified by the manufacturer.** A charger that is suitable for one type of battery pack may create a risk of fire when used with another battery pack.
- **Use power tools only with specifically designated battery packs.** Use of any other battery packs may create a risk of injury and fire.
- **When battery pack is not in use, keep it away from other metal objects, like paper clips, coins, keys, nails, screws or other small metal objects, that can make a connection from one terminal to another.** Shorting the battery terminals together may cause burns or a fire.
- **Under abusive conditions, liquid may be ejected from the battery; avoid contact. If contact accidentally occurs, flush with water. If liquid contacts eyes, additionally seek medical help.** Liquid ejected from the battery may cause irritation or burns.
- **Do not use a battery pack or tool that is damaged or modified.** Damaged or modified batteries may exhibit unpredictable behaviour resulting in fire, explosion or risk of injury.
- **Do not expose a battery pack or tool to fire or excessive temperature.** Exposure to fire or temperature above 130 °C may cause explosion.
- **Follow all charging instructions and do not charge the battery pack or tool outside the temperature range specified in the instructions.** Charging improperly or at temperatures outside the specified range may damage the battery and increase the risk of fire.

Service

- **Have your power tool serviced by a qualified repair person using only identical replacement parts.** This will ensure that the safety of the power tool is maintained.
- **Never service damaged battery packs.** Service of battery packs should only be performed by the manufacturer or authorized service providers.

Product Specific Instructions

Warning!

To reduce the risk of fire, personal injury, and product damage due to a short circuit, never immerse your tool, battery pack or charger in fluid or allow a fluid to flow

inside them. **Corrosive or conductive fluids, such as seawater, certain industrial chemicals, and bleach or bleach-containing products, etc., can cause a short circuit.**

Special precautions

- The machine may only be used together with the associated torque reaction bar which is adapted to the screw joint application concerned.
- Use Dual trigger to minimize the risk of fingers or hands getting caught between the reaction bar and the work piece.

General Installation Safety

Refer installation to qualified personnel only.

Hang the tool securely, by for example using a balancer. When using a suspension yoke, check that it is in good condition and correctly fastened.

Always connect the system to an earthed outlet. Always make sure that the mains plug is disconnected and the controller is turned off before connecting or disconnecting the tool cable.

Special precaution

⚠ WARNING Crushing Hazard

The Dual trigger forces the user to use both hands to operate the tool. If not used, the operator can accidentally start the tool while adjusting the reaction bar, thus resulting in a serious hand injury.

- ▶ Make sure the tool cannot be started once the Dual trigger has been released.
- ▶ Always test the tool by first releasing the trigger of the Dual trigger, then push the trigger of the tool. If the tool starts; stop work.

General Operation Safety

- **Due to entanglement risk, do not wear gloves.**
- **Be prepared of the reaction force which will occur when the tool is used.** Always support the tool’s handle securely in the direction opposite to the spindle rotation, in order to reduce the effect of sudden torque reaction during final tightening and initial loosening.
- **Never hold the drive, socket or drive extension.**
- **Operators and maintenance personnel must be physically able to handle the bulk, weight and power of the tool.**
- **If possible, use a suspension arm to absorb the reaction torque. If that is not possible, side handles are recommended for straight-case and pistol-grip tools; reaction bars are recommended for angle nutrunners.** It is recommended to use a means to absorb the reaction torque above 4 Nm (3 lbf.ft) for straight-case tools, above 10 Nm (7.5 lbf.ft) for pistol-grip tools, and above 60 Nm (44 lbf.ft) for angle nutrunners.
- **Serious injury can result from over-torqued or under-torqued fasteners.** Assemblies requiring a specific torque must be checked using a torque meter. So-called

“click” torque wrenches do not check for potentially dangerous over-torqued conditions. Over-torqued or under-torqued fasteners can break, loosen or separate. Released assemblies can become projectiles.

- **Use only power or impact sockets in good condition.** Do not use hand sockets.
- **When using a power tool, the operator may feel discomfort in the hands, arms, shoulders, neck, or other parts of the body.** Vary between appropriate postures throughout the work day, maintain a secure footing and avoid awkward or off-balance postures.
- **Repetitive work motions, awkward positions and exposure to vibration can be harmful to hands and arms.** If numbness, tingling, pain or whitening of the skin occurs, stop using tool and consult a physician.
- **Take caution when operating in confined spaces.** Beware of crushing hands between tool and workpiece.
- **High sound levels can cause permanent hearing loss.** Use hearing protection as recommended by your employer or occupational health and safety regulations.
- **Ensure that the workpiece is securely fixed.**
- **Proceed with care in unfamiliar surroundings.** Be aware of potential hazards created by your work activity. This tool is not insulated from coming into contact with electric power sources.

Tools used together with a reaction bar: Never put your hand near or close to the reaction bar while the tool is being used. Be aware of the rotational direction of the spindle before starting the tool, the reaction force may work in an unexpected direction with risk of crushing injuries.

Tools containing a clutch: Never use the product without making sure the clutch releases. Immediately after adjusting the clutch, check for correct operation.

⚠ WARNING Risk of Injury

Make sure that the correct parameter file is being used. Wrong parameter file might cause too high torque with bodily injury as a result.

- ▶ Compare the maximum torque which is shown in the controller, with the maximum torque stated in the technical data of the tool, they should be the same.

General Instructions

The tool may only be used together with the associated torque reaction bar, which is adapted to the screw joint application concerned.

⚠ WARNING Crushing Hazard



Check the rotational direction of the tool before start! A start in an unexpected rotational direction can cause bodily injury or property damage. Moving parts can crush and cut.

- ▶ Make sure that the rotational direction of the tool is correct before starting the tool.
- ▶ Keep hands and fingers away from moving parts.

Operating the tool

1. Assemble the reaction bar following safety instructions described in this document.
2. Fit the tool with a suitable socket following safety instructions described in this document.
3. Set the correct mode using settings buttons (4) and display screen (3).
4. Choose the right direction using reverse button (6).
5. Position the tool and reaction arm (7) following safety instructions described in this document.
6. Press and keep pressure on second trigger (1).
7. Press end keep pressure on principal trigger (2).
8. Keep triggers pressed (1 & 2) till the end of the operation.
9. Check operation status on reporting LEDs (5). Green (Ok), Red (NOK).

Battery

Battery packs which have not been used for some time should be recharged before use. Temperatures in excess of 50°C (122°F) reduce the performance of the battery pack. Avoid extended exposure to heat or sunshine (risk of overheating). The contacts of chargers and battery packs must be kept clean.

For an optimum life-time, the battery packs have to be fully charged, after used. To obtain the longest possible battery life remove the battery pack from the charger once it is fully charged.

The battery pack has overload protection that protects it from being overloaded and helps to ensure long life. Under extreme stress the battery electronics switch off the product automatically. To restart, switch the product off and then on again. If the product does not start up again, the battery pack may have discharged completely. In this case it must be recharged in the battery charger.

Maintenance instructions

- Follow local country environmental regulations for safe handling and disposal of all components.

- Maintenance and repair work must be carried out by qualified personnel using only original spare parts. Contact the manufacturer or your nearest authorised dealer for advice on technical service or if you require spare parts.
- Always ensure that the machine is disconnected from energy source to avoid accidental operation.
- Disassemble and inspect the tool every three 3 months if the tool is used every day. Replace damaged or worn parts.
- Do not at any time let brake fluids, gasoline, petroleum based products, penetrating oils, etc., come in contact with plastic parts. Chemicals can damage, weaken or destroy plastic which could result in serious personal injury.
- Avoid using solvents when cleaning plastic parts. Most plastics are susceptible to damage from various types of commercial solvents and can be damaged by their use. Use clean clothes to remove dirt, dust, oil, grease, etc.

Disposal

- The disposal of this equipment must follow the legislation of the respective country.
- All damaged, badly worn or improperly functioning devices **MUST BE TAKEN OUT OF OPERATION.**

Signs and Stickers

The product is fitted with signs and stickers containing important information about personal safety and product maintenance. The signs and stickers shall always be easy to read. New signs and stickers can be ordered by using the spare parts list.



s011050

Symbols

	Remove the battery pack before starting any work on the machine.
	Please read the instructions carefully before starting the machine.
	Do not dispose of electric tools together with household waste material. Electric tools and electronic equipment that have reached the end of their life must be collected separately and returned to an environmentally compatible recycling facility. Check with your local authority or retailer for recycling advice and collection point.
	Always wear goggles when using the machine.
n_0	No load speed.
V	Volts
min^{-1}	per minute
	Direct Current



CAUTION! WARNING! DANGER!

Useful Information

Website

Information concerning our Products, Accessories, Spare Parts and Published Matters can be found on the Chicago Pneumatic website.

Please visit: www.cp.com.

Country of origin

HUNGARY

Safety Data Sheet

The Safety Data Sheets describe the chemical products sold by Chicago Pneumatic.

Please consult the Chicago Pneumatic website for more information qr.cp.com/sds.

Copyright

© Copyright 2022, CHICAGO PNEUMATIC Tool Co.LLC, 1815 Clubhouse Road, Rock Hill, SC 29730 - USA

All rights reserved. Any unauthorized use or copying of the contents or part thereof is prohibited. This applies in particular to trademarks, model denominations, part numbers and drawings. Use only authorized parts. Any damage or malfunction caused by the use of unauthorised parts is not covered by Warranty or Product Liability.

Caractéristiques techniques

Description du produit

Veillez vous référer à l'illustration 2: Description du produit

- 1 Seconde gâchette
- 2 Gâchette principale
- 3 Écran
- 4 Boutons de réglage
- 5 Témoins LED
- 6 Bouton de sens inverse
- 7 Toc de réaction type S (livré avec l'outil)

Déclarations

DÉCLARATION DE CONFORMITÉ UE

Nous, CHICAGO PNEUMATIC Tool Co.LLC, 1815 Clubhouse Road, Rock Hill, SC 29730 - USA, déclarons sous notre seule et entière responsabilité que le produit (dont le nom, le type et le numéro de série figurent en première page) est en conformité avec la ou les directives suivantes : 2006/42/EC; 2011/65/UE; 2014/53/UE

Normes harmonisées appliquées : EN 62841-2-2:2014 + AC1:2015; EN 55014-1:2017+11:2020; EN 55014-2:2015; EN 61000-6-2:2019; EN 61000-6-3:2007 + A1:2011; EN 300328V222; EN 301489-17V324; EN 301489-1V223; EN 62311:2008; EN 62479:2010

Les autorités peuvent obtenir les informations techniques pertinentes en s'adressant à :

Pascal Roussy, R&D Manager, Ets Georges Renault, 38 rue Bobby Sands, BP10273 44818 Saint Herblain, France

Saint-Herblain, 2022/01/26

Pascal ROUSSY

Signature du déclarant

Conformité IC Classe B

CAN ICS-3(B)/NMB-3(B)

(Anglais) Cet appareil est conforme aux RSS exempts de licence d'Innovation, Sciences et Développement économique Canada. L'utilisation de cet appareil est soumise aux deux conditions suivantes :

- (1) Cet appareil ne peut pas causer de perturbations électromagnétiques nuisibles et
- (2) cet appareil doit accepter toutes les perturbations reçues, y compris celles susceptibles d'occasionner un fonctionnement indésirable.

(Français) Cet appareil est conforme aux CNR d'Innovation, Sciences et Développement économique Canada applicables aux appareils radio exempts de licence. L'exploitation est autorisée aux deux conditions suivantes :

- 1) l'appareil ne doit pas produire de brouillage ;
- 2) l'appareil doit accepter tout brouillage radioélectrique subi, même si le brouillage est susceptible d'en compromettre le fonctionnement.

IC compliance Class B

CAN ICS-3(B)/NMB-3(B)

(English) This device complies with Innovation, Science and Economic Development Canada's licence-exempt RSSs. Operation is subject to the following two conditions:

- (1) This device may not cause interference; and
- (2) This device must accept any interference, including interference that may cause undesired operation of the device.

(French) Le présent appareil est conforme aux CNR d'Innovation, Sciences et Développement économique Canada applicables aux appareils radio exempts de licence. L'exploitation est autorisée aux deux conditions suivantes:

- 1) l'appareil ne doit pas produire de brouillage;
- 2) l'appareil doit accepter tout brouillage radioélectrique subi, même si le brouillage est susceptible d'en compromettre le fonctionnement.

Conformité aux normes nord-américaines

5000701

Listé
Conforme aux normes UL
62841-1 et UL 62841-2-1.
Certifié selon les normes
CSA C22.2 n° 62841-1 et
CSA C22.2 n° 62841-2-1.

Déclaration relative au bruit et aux vibrations

- Niveau de pression acoustique < 72 dB(A), incertitude 3 dB(A), en conformité avec EN 62841-2-2:2015.
- Niveau de puissance acoustique < 83 dB(A), incertitude 3 dB(A), en conformité avec EN 62841-2-2:2015.
- Valeur totale des vibrations < 2.5 m/s², incertitude 3 m/s², en conformité avec EN 62841-2-2:2015.

Les valeurs déclarées ont été obtenues lors d'essais de type réalisés en laboratoire, conformément aux standards établis et peuvent faire l'objet de comparaisons avec les valeurs déclarées d'autres outils testés selon les mêmes standards.

Les valeurs déclarées ne peuvent être utilisées dans le cadre d'une estimation des risques et les valeurs relevées sur des postes de travail individuels peuvent s'avérer supérieures. Les valeurs d'exposition réelles et le risque de nuisance pour un utilisateur individuel sont uniques et dépendent de la manière dont l'utilisateur travaille, de la pièce usinée, de l'organisation du poste de travail en lui-même ; ils dépendent également de la durée d'exposition et de la condition physique de l'utilisateur.

Notre société, **CHICAGO PNEUMATIC Tool Co.LLC**, ne peut en aucun cas être tenue responsable des conséquences de l'utilisation des valeurs déclarées à la place des valeurs reflétant l'exposition réelle dans l'évaluation des risques individuels dans un lieu de travail sur lequel nous n'avons aucun contrôle.

Cet outil peut causer un syndrome de vibrations main-bras s'il est mal utilisé. Un guide européen de gestion des vibrations main-bras est disponible sur le site <http://www.pneuop.eu/index.php> en sélectionnant « Tools » puis « Legislation ».

Nous recommandons la mise en place d'un programme de surveillance médicale afin de détecter les premiers symptômes qui pourraient être dus à une exposition aux vibrations ; les procédures de gestion pourraient alors être modifiées pour éviter une future déficience.

- i** Si ce matériel est destiné aux applications embarquées : Le niveau sonore est donné à titre indicatif à l'intention du constructeur de machines. Les données de niveau sonore et de vibrations pour la machine complète devront figurer dans le manuel d'utilisation de cette dernière.

Caractéristiques techniques de la communication sans fil

BLUETOOTH LOW ENERGY 4.2®

Fréquence / 2400 MHz - 2483,5MHz

EIRP : <10 dBm

La marque verbale et les logos Bluetooth® sont des marques déposées appartenant à Bluetooth SIG, Inc.

Spécificités régionales**⚠ AVERTISSEMENT**

Ce produit peut vous exposer à des produits chimiques comme le plomb qui est reconnu par l'État de Californie comme cancérigène et causant des malformations congénitales ou autres anomalies de la reproduction. Pour de plus amples informations

<https://www.p65warnings.ca.gov/>

Sécurité

NE PAS JETER - REMETTRE À L'UTILISATEUR

⚠ AVERTISSEMENT Lire l'ensemble des mises en garde et consignes de sécurité ainsi que les illustrations et les caractéristiques techniques fournies avec ce produit.

Le non-respect de toutes les instructions répertoriées ci-dessous peut entraîner un choc électrique, un incendie, des dégâts matériels ou un grave accident corporel.

Conserver l'ensemble des mises en garde et consignes pour pouvoir les consulter ultérieurement.

⚠ AVERTISSEMENT Toutes les réglementations locales de sécurité en matière d'installation, d'utilisation et de réparation doivent toujours être respectées.**Utilisation prévue**

- Pour utilisation professionnelle uniquement.
- Ce produit et ses accessoires ne doivent être modifiés en aucune manière.
- Ne pas utiliser ce produit s'il a subi des dégâts.
- Si les vignettes apposées sur le produit pour indiquer les données du produit ou des mises en garde ne sont plus lisibles ou se décollent, les remplacer sans attendre.
- Le produit ne doit être installé que par un personnel qualifié, dans un environnement industriel.

Utilisation prévue

Ce produit est destiné à être utilisé uniquement par des adultes qui ont lu et compris les instructions et les avertissements de ce manuel et peuvent être considérés comme responsables de leurs actes.

- Ce produit est conçu pour poser et déposer des fixations filetées dans le bois, le métal ou le plastique.
- Utilisation en intérieur uniquement.
- N'utilisez pas le produit à d'autres fins que celles décrites ci-dessus.
- Aucune autre utilisation n'est autorisée

Batteries recommandées

8940176068 : CP36XP25

Chargeur recommandé

8940176069 : CP18-36CH

Toc de réaction recommandé

Utiliser le toc de réaction (7) livré avec l'outil. Pour les autres modèles, voir le document de référence 6159923710 du toc de réaction.

Mises en garde générales de sécurité concernant les outils électriques

⚠ AVERTISSEMENT Lire l'ensemble des mises en garde et consignes de sécurité ainsi que les illustrations et les caractéristiques techniques fournies avec ce produit.

Le non-respect de toutes les instructions répertoriées ci-dessous peut entraîner un choc électrique, un incendie, des dégâts matériels ou un grave accident corporel.

Conserver l'ensemble des mises en garde et consignes pour pouvoir les consulter ultérieurement.

Le terme « outil électrique » dans les mises en garde fait référence à votre outil électroportatif fonctionnant sur secteur (à fil) ou sur batterie (sans fil).

Sécurité de la zone de travail

- **La zone de travail doit toujours être propre et bien éclairée.** Les endroits encombrés ou mal éclairés sont propices aux accidents.
- **Ne pas faire fonctionner des outils électriques dans des atmosphères explosibles, notamment en présence de liquides, gaz ou poussières inflammables.** Les outils électriques génèrent des étincelles qui peuvent mettre le feu aux poussières ou aux fumées.
- **Tenir les spectateurs et les enfants à distance lors de l'utilisation d'un outil électrique.** Les distractions peuvent causer une perte de contrôle.

Sécurité électrique

- **Les fiches des outils électriques doivent correspondre aux prises. Ne jamais modifier une fiche de quelque manière que ce soit. Ne pas utiliser d'adaptateurs avec des outils électriques reliés à la terre.** L'utilisation de fiches non modifiées et des prises correspondantes réduira le risque de choc électrique.
- **Éviter tout contact corporel avec des objets mis à la terre tels que les tuyauteries, radiateurs, cuisinières et réfrigérateurs.** Les risques de choc électrique augmentent lorsque le corps est en contact avec la terre.
- **Ne pas exposer les outils électriques à la pluie ou à l'humidité.** En entrant dans un outil électrique, l'eau accroîtra le risque de choc électrique.
- **Ne pas forcer sur le cordon d'alimentation. Ne jamais utiliser le cordon d'alimentation pour transporter, tirer ou débrancher l'outil électrique. Maintenir le cordon à l'écart des sources de chaleur, des huiles, des arêtes coupantes ou des pièces en mouvement.** Les risques de choc électrique augmentent lorsqu'un cordon est endommagé ou coincé.

- **Lors de l'utilisation d'un outil électrique à l'extérieur, utiliser un cordon prolongateur adapté à l'utilisation en extérieur.** L'utilisation d'un cordon adapté à l'utilisation en extérieur réduit le risque de choc électrique.
- **Si un outil électrique doit absolument être utilisé dans un endroit humide, utiliser une alimentation protégée par un disjoncteur à courant différentiel résiduel (DCR).** L'utilisation d'un disjoncteur différentiel de type DCR réduit le risque de choc électrique.

Sécurité personnelle

- **Soyez vigilant, regardez ce que vous faites et faites preuve de bon sens lorsque vous utilisez un outil électrique. Ne pas utiliser un outil électrique lorsque vous êtes fatigué ou sous l'influence de drogues, d'alcool ou de médicaments.** Un moment d'inattention pendant l'utilisation d'outils électriques peut entraîner des accidents corporels graves.
- **Porter des équipements de protection individuelle. Toujours porter des protections oculaires.** Le port d'équipements de protection adaptés aux conditions de travail tels que masque antipoussières, chaussures de sécurité antidérapantes, casque de chantier ou protections auditives réduira le risque d'accidents corporels.
- **Prévenir tout démarrage inopiné. S'assurer que l'interrupteur est en position d'arrêt avant de raccorder l'outil à une source d'alimentation ou à un bloc-batterie, de le prendre en main ou de le transporter.** Le fait de transporter des outils électriques en ayant le doigt sur l'interrupteur ou la mise sous tension d'outils électriques dont l'interrupteur est en position de marche sont propices aux accidents.
- **Retirer toute clé de réglage avant de mettre l'outil électrique sous tension.** Une clé laissée montée sur une pièce en rotation de l'outil électrique peut entraîner des accidents corporels.
- **Ne vous surestimez pas. Ayez de bons appuis et un bon équilibre à tout moment.** Ceci permet une meilleure maîtrise de l'outil électrique dans les situations inattendues.
- **Habillez-vous de façon adéquate. Ne jamais porter de vêtements amples ou de bijoux. Garder les cheveux et les vêtements loin des pièces mobiles.** Les vêtements amples, bijoux ou cheveux longs peuvent se prendre dans les pièces en mouvement.
- **Si des dispositifs permettant de raccorder l'outil à des installations d'extraction et de séparation des poussières sont prévus, veillez à les raccorder et à les utiliser comme il convient.** L'utilisation d'un système de dépoussiérage peut réduire les dangers liés aux poussières.
- **Veiller à ne pas devenir suffisant et à ne pas ignorer les principes de sécurité des outils sous l'effet de la familiarisation acquise à la suite d'une utilisation fréquente de ces outils.** Un acte imprudent peut provoquer un accident grave en une fraction de seconde.
- **Tenir l'outil électrique par ses surfaces de préhension isolées ; en cours d'utilisation, la fixation peut en effet toucher un câblage caché.** Les fixations touchant un fil

sous tension peuvent mettre les parties métalliques nues de l'outil électrique sous tension et pourraient électrocuter l'opérateur.

Utilisation des outils électriques et précautions à prendre

- **Ne pas forcer l'outil électrique. Utiliser l'outil électrique adapté au travail à effectuer.** Un outil électrique adapté fournira un travail de meilleure qualité et plus sûr à la capacité nominale pour laquelle il est conçu.
- **Ne pas utiliser l'outil électrique si l'interrupteur ne permet pas de le mettre sous tension et hors tension.** Tout outil électrique qui ne peut pas être commandé par l'interrupteur est dangereux et doit être réparé.
- **Débrancher la fiche de la source d'alimentation ou retirer le bloc-batterie, si possible, de l'outil électrique avant de procéder à des réglages, de changer d'accessoire ou de ranger l'outil.** Ces mesures de sécurité préventive réduisent les risques de démarrage accidentel de l'outil électrique.
- **Ranger les outils électriques non utilisés hors de portée des enfants et ne pas laisser des personnes utiliser un outil électrique si elles ne sont pas familiarisées avec celui-ci ou avec les présentes instructions.** Les outils électriques sont dangereux lorsqu'ils sont entre les mains d'utilisateurs non formés à leur utilisation.
- **Entretenir les outils électriques et les accessoires. Vérifier l'absence de pièces mobiles mal alignées ou grippées, de pièces brisées ou de toute autre situation susceptible de nuire au bon fonctionnement de l'outil électrique. Si l'outil électrique est endommagé, le faire réparer avant de l'utiliser.** De nombreux accidents sont dus à des outils électriques mal entretenus.
- **Garder les outils de coupe affûtés et propres.** Des outils de coupe correctement entretenus avec des arêtes tranchantes risquent moins de se coincer et sont plus faciles à maîtriser.
- **Utiliser l'outil électrique, les accessoires et embouts, etc., conformément aux présentes instructions, en prenant en compte les conditions de travail et le travail à effectuer.** L'utilisation de l'outil électrique pour des opérations différentes de celles pour lesquelles il est prévu pourrait engendrer une situation de danger.
- **Garder les poignées et les surfaces de préhension sèches, propres et exemptes de toute trace d'huile ou de graisse.** Des poignées et des surfaces de préhension glissantes ne permettent pas une manipulation sans danger et une maîtrise de l'outil dans les situations inattendues.

Utilisation des outils sur batterie et précautions à prendre

- **Recharger exclusivement avec le chargeur préconisé par le fabricant.** Un chargeur qui convient à un type de bloc-batterie donné peut créer un risque d'incendie s'il est utilisé avec un autre type de bloc-batterie.
- **Utiliser les outils électriques uniquement avec les blocs-batteries spécifiquement prévus à cet effet.** L'utilisation de tout autre bloc-batterie peut créer un risque d'accidents corporels et d'incendie.

- **Tenir les blocs-batteries non utilisés à distance des autres objets métalliques tels que les trombones, pièces de monnaie, clés, clous, vis ou autres petits objets en métal susceptibles d'établir une connexion entre les bornes.** La mise en court-circuit des bornes de batterie peut provoquer des brûlures ou un incendie.
- **En cas d'utilisation excessive, du liquide peut s'échapper de la batterie. Éviter tout contact. En cas de contact accidentel, rincer à l'eau. En cas de projection de liquide dans les yeux, consulter également un médecin.** Le liquide qui s'échappe de la batterie peut provoquer irritation et brûlures.
- **Ne pas utiliser un bloc-batterie ou un outil endommagé ou modifié.** Les batteries endommagées ou modifiées peuvent présenter un comportement imprévisible entraînant un incendie, une explosion ou un risque de blessures.
- **Ne pas exposer un bloc-batterie ou un outil au feu ou à une température excessive.** L'exposition au feu ou à une température de plus de 130 °C peut provoquer une explosion.
- **Suivre l'ensemble des instructions de mise en charge et ne pas charger le bloc-batterie ou l'outil en dehors de la plage de température préconisée dans la notice.** Une mise en charge impropre ou à une température en dehors de la plage préconisée peut endommager la batterie et accroître le risque d'incendie.

Maintenance

- **Faire entretenir l'outil électrique par un réparateur qualifié, en utilisant uniquement des pièces de rechange d'origine.** Ceci permettra de maintenir la sécurité de l'outil électrique.
- **Ne jamais essayer de réparer des blocs-batteries endommagées.** L'entretien des blocs-batteries doit être confié uniquement au fabricant ou à des prestataires agréés.

Instructions spécifiques au produit

Avertissement !

Afin de réduire les risques d'incendie, de blessures corporelles et d'endommagement du produit en raison d'un court-circuit, ne plongez jamais l'outil, la batterie ou le chargeur dans un liquide ou ne laissez jamais un fluide s'écouler à l'intérieur. Les fluides corrosifs ou conducteurs, tels que l'eau de mer, certains produits chimiques industriels et les produits contenant de l'eau de Javel ou l'eau de Javel, etc., peuvent provoquer un court-circuit.

Précautions particulières

- L'appareil ne peut être utilisé qu'avec le toc de réaction associé, lequel est adapté à l'application d'assemblage vissé concernée.
- Utiliser une gâchette double pour limiter le risque de pincement des doigts ou des mains entre le toc de réaction et la pièce à travailler.

Sécurité générale de l'installation

Ne confier l'installation qu'à un personnel qualifié.

Suspendre solidement l'outil, comme par exemple en utilisant un équilibreur. Lorsqu'un anneau de suspension est utilisé, vérifiez son état et assurez-vous qu'il est correctement fixé.

Toujours raccorder le système à une prise reliée à la terre. Toujours s'assurer que la fiche secteur est débranchée et que le contrôleur est éteint avant de brancher ou de débrancher le câble d'outil.

Précautions particulières

AVERTISSEMENT Risque d'écrasement

La double gâchette force l'utilisateur à se servir de ses deux mains pour utiliser l'outil. Si ce n'est pas le cas, l'utilisateur peut accidentellement démarrer l'outil pendant qu'il règle le toc de réaction, ce qui entraînerait une blessure grave à la main.

- ▶ Assurez-vous que l'outil ne peut pas démarrer une fois que la double gâchette a été relâchée.
- ▶ Essayez toujours l'outil en relâchant d'abord la gâchette de la double gâchette, puis appuyez sur la gâchette de l'outil. Si l'outil démarre, arrêtez le travail.

Sécurité générale de l'utilisation

- **En raison du risque de happement, ne pas porter de gants.**
- **Faites attention à la force de réaction engendrée lors du démarrage de l'outil.** Toujours soutenir fermement la poignée de l'outil dans le sens contraire à la rotation de la broche afin de réduire l'effet des réactions soudaines au serrage final et au dévissage initial.
- **Ne jamais tenir la broche d'entraînement, la douille ou la rallonge.**
- **Les utilisateurs et le personnel d'entretien doivent être physiquement capable de manier l'outil qui peut être encombrant, lourd et puissant.**
- **Si possible, utiliser un bras de suspension pour absorber le couple de réaction. Si cela n'est pas possible, il est recommandé d'équiper les outils droits et à poignée revolver de poignées latérales ; pour les boulonneuses à renvoi d'angle, il est conseillé d'utiliser des tocs de réaction.** Il est recommandé d'utiliser un dispositif pour absorber le couple de réaction au-dessus de 4 Nm pour les outils droits, au-dessus de 10 Nm pour les outils de type pistolet, et au-dessus de 60 Nm pour les boulonneuses d'angle.
- **Des blessures graves peuvent survenir à cause de fixations recevant un couple trop élevé ou trop faible.** Si les assemblages sont à serrer à un couple spécifique, vérifier le serrage avec un couplemètre. Les clés dynamométriques « à dé clic » ne signalent pas les couples trop élevés ni les situations dangereuses. Les fixations recevant un couple trop élevé ou trop faible peuvent casser, se desserrer ou se séparer. Les assemblages peuvent constituer des projectiles lorsqu'ils ne sont plus fixés.

- **Utiliser uniquement des douilles pour boulonneuses ou clés à chocs en bon état.** Ne pas utiliser de douilles pour clés manuelles.
- **Lorsqu'il utilise un outil énergisé, l'opérateur peut ressentir un inconfort au niveau des mains, des bras, des épaules, du cou ou d'autres parties du corps.** Varier entre les postures appropriées tout au long de la journée de travail, maintenir un bon équilibre et éviter les postures inconfortables ou avec un mauvais équilibre.
- **Des gestes répétitifs, de mauvaises positions et une exposition aux vibrations peuvent avoir des effets nuisibles sur les membres supérieurs.** Si des sensations d'engourdissement, de fourmillement, des douleurs ou une décoloration de la peau apparaissent, cesser immédiatement d'utiliser l'outil et consulter un médecin.
- **Faites attention à l'utilisation dans des espaces confinés.** Attention au risque d'écrasement des mains entre l'outil et la pièce.
- **Des niveaux sonores élevés peuvent provoquer une perte d'acuité auditive irréversible.** Utiliser les protections auditives recommandées par l'employeur ou par la réglementation en matière d'hygiène et de sécurité au travail.
- **S'assurer que la pièce à travailler est solidement fixée.**
- **Procéder avec précautions dans un environnement non familier.** Soyez toujours conscient des dangers potentiels créés par votre activité. Cet outil n'est pas isolé en cas de contact avec une source d'alimentation électrique.

Outils utilisés avec un toc de réaction : Ne posez jamais la main sur le toc de réaction ou à proximité de celui-ci pendant l'utilisation de l'outil. Vérifier le sens de rotation de la broche avant de mettre l'outil en marche ; la force de réaction peut en effet entraîner l'outil dans une direction inattendue et provoquer des blessures par écrasement.

Outils comprenant un embrayage : Ne jamais utiliser le produit sans s'être assuré que l'embrayage se desserre. Immédiatement après un réglage de l'embrayage, vérifier le bon fonctionnement de l'outil.

AVERTISSEMENT Risque de blessure

Veiller à ce que le bon fichier paramètre soit utilisé. Un mauvais fichier paramètre peut occasionner un couple trop élevé qui pourrait entraîner des blessures corporelles.

- ▶ Comparez le couple maximum affiché dans le coffret avec le couple maximum stipulé dans les caractéristiques techniques de l'outil. Ils devraient être identiques.

Consignes générales

L'outil ne peut être utilisé qu'avec le toc de réaction associé, lequel est adapté à l'application d'assemblage vissé concernée.

⚠️ AVERTISSEMENT Risque d'écrasement

Procéder à un contrôle du sens de rotation de l'outil avant de démarrer ! Un démarrage dans un sens de rotation inattendu peut provoquer des accidents corporels ou des dégâts matériels. Les pièces mobiles peuvent broyer et couper.

- ▶ S'assurer que le sens de rotation de l'outil est correct avant de démarrer l'outil.
- ▶ Garder les mains et les doigts loin des pièces mobiles.

Utilisation de l'outil

1. Assembler le toc de réaction en suivant les instructions de sécurité décrites dans ce document.
2. Équiper l'outil d'une douille adaptée en suivant les instructions de sécurité décrites dans ce document.
3. Régler le mode correct à l'aide des boutons de réglage (4) et de l'écran (3).
4. Choisir le bon sens en utilisant le bouton de marche arrière (6).
5. Positionner l'outil et le toc de réaction (7) en suivant les instructions de sécurité décrites dans ce document.
6. Maintenir la seconde gâchette enfoncée (1).
7. Maintenir la gâchette principale enfoncée (2).
8. Maintenir les gâchettes enfoncées (1 & 2) jusqu'à la fin de l'opération.
9. Vérifier l'état de fonctionnement sur les témoins LED (5). Vert (OK), Rouge (NOK).

Batterie

Les packs de batteries qui ont été inutilisés pendant un certain temps doivent être rechargés avant utilisation.

Les températures supérieures à 50°C (122°F) réduisent la performance du pack de batterie. Éviter une exposition prolongée à la chaleur ou à la lumière du soleil (risque de surchauffe).

Les contacts des chargeurs et packs de batterie doivent être tenus propres.

Pour une vie utile optimale, les packs de batterie doivent être entièrement rechargés après chaque utilisation. Pour obtenir la vie utile la plus longue possible, retirer le pack de batterie du chargeur dès que la batterie est entièrement rechargée.

Le pack de batteries a une protection contre les surcharges qui le protège contre les surcharges et aide à assurer une longue durée de vie. Sous des contraintes extrêmes, l'électronique de la batterie éteint automatiquement le produit. Pour redémarrer, éteignez le produit, puis rallumez-le. Si le produit ne redémarre pas, le pack de batteries peut s'être complètement déchargé. Dans ce cas, il doit être rechargé dans le chargeur de batterie.

Consignes de maintenance

- Respectez les réglementations environnementales locales en vigueur pour gérer et éliminer tous les composants en toute sécurité.
- Les travaux de maintenance et de réparation doivent être effectués par un personnel qualifié à l'aide de pièces de rechange d'origine. Prendre contact avec le fabricant ou le revendeur agréé le plus proche pour obtenir des conseils techniques ou pour tout besoin de pièces de rechange.
- Veillez à toujours débrancher la machine de la source d'énergie pour éviter toute mise en fonctionnement accidentelle.
- Démontez et contrôlez l'outil tous les trois (3) mois si vous l'utilisez quotidiennement. Remplacez les pièces usées ou endommagées.
- Ne jamais laisser des liquides de frein, de l'essence, des produits à base de pétrole, des huiles pénétrantes, etc. entrer en contact avec des pièces en plastique. Les produits chimiques peuvent endommager, affaiblir ou détruire le plastique, ce qui pourrait entraîner des blessures graves.
- Évitez d'utiliser des solvants lors du nettoyage de pièces en plastique. La plupart des plastiques sont susceptibles d'être endommagés par divers types de solvants commerciaux et peuvent être endommagés par leur utilisation. Utilisez des vêtements propres pour enlever la saleté, la poussière, l'huile, la graisse, etc.

Élimination

- La mise au rebut de cet équipement doit être conforme à la législation du pays respectif.
- Tout appareil endommagé, présentant une usure importante ou ne fonctionnant pas correctement **DOIT ÊTRE MIS HORS SERVICE.**

Panneaux et autocollants

Des vignettes et autocollants contenant des informations importantes pour la sécurité des personnes et l'entretien du matériel sont apposés sur le produit. Les vignettes et autocollants doivent toujours être faciles à lire. On pourra commander de nouvelles vignettes et de nouveaux autocollants à l'aide de la nomenclature des pièces de rechange.







s011050

Symboles

Retirer le pack de batterie avant de commencer le travail sur la machine.



Lire attentivement les instructions avant de démarrer la machine.

  n_0 V min^{-1}  	<p>Ne pas jeter les outils électriques avec les ordures ménagères. Les outils électriques et équipements électroniques ayant atteint la fin de leur vie utile doivent être collectés séparément et traités par une installation de recyclage respectueuse de l'environnement. Contacter les autorités locales ou le revendeur pour avoir des conseils sur le recyclage et connaître les points de collecte.</p> <p>Toujours porter des lunettes de sécurité pendant l'utilisation de la machine.</p> <p>Pas de vitesse de charge.</p> <p>Volts</p> <p>par minute</p> <p>Courant continu</p> <p>ATTENTION ! AVERTISSEMENT ! DANGER !</p>	3 Anzeigebildschirm 4 Einstellungstasten 5 Melde-LEDs 6 Umschaltknopf 7 Momentenstütze Typ S (mit dem Werkzeug geliefert)
---	---	---

Informations utiles

Site web

Des informations à propos de nos Produits, Accessoires, Pièces de rechange et Documentation sont disponibles sur le site Web de Chicago Pneumatic.

Veillez consulter : www.cp.com.

Pays d'origine

HUNGARY

Fiche de données de sécurité

Les Fiches de données de sécurité décrivent les produits chimiques vendus par Chicago Pneumatic.

Veillez consulter le site Web Chicago Pneumatic pour plus d'informations qr.cp.com/sds.

Copyright

© Copyright 2022, CHICAGO PNEUMATIC Tool Co.LLC, 1815 Clubhouse Road, Rock Hill, SC 29730 - USA

Tous droits réservés. Toute utilisation non autorisée ou copie de tout ou partie du présent document est interdite. Ceci s'applique plus particulièrement aux marques de commerce, dénominations de modèles, références et schémas. Utiliser exclusivement les pièces autorisées. Tout dommage ou dysfonctionnement causé par l'utilisation d'une pièce non autorisée ne sera pas couvert par la garantie du fabricant ou la responsabilité du fait des produits.

Technische Daten

Produktbeschreibung

siehe Abbildung 2: Produktbeschreibung

- 1 Zweiter Drücker
- 2 Hauptdrücker

Erklärungen

EU-KONFORMITÄTSERKLÄRUNG

Wir, **CHICAGO PNEUMATIC Tool Co.LLC**, 1815 Clubhouse Road, Rock Hill, SC 29730 - USA, erklären hiermit in alleiniger Verantwortung, dass dieses Produkt (mit Bezeichnung, Typ und Seriennummer laut Deckblatt) die Anforderungen der folgenden Richtlinie(n) erfüllt: 2006/42/EC; 2011/65/UE; 2014/53/UE

Angewandte harmonisierte Normen: EN 62841-2-2:2014 + AC1:2015; EN 55014-1:2017+11:2020; EN 55014-2:2015; EN 61000-6-2:2019; EN 61000-6-3:2007 + A1:2011; EN 300328V222; EN 301489-17V324; EN 301489-1V223; EN 62311:2008; EN 62479:2010

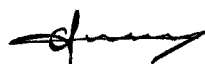
Behörden können relevante technische Informationen anfordern von:

Pascal Roussy, R&D Manager, Ets Georges Renault, 38 rue Bobby Sands, BP10273 44818 Saint Herblain, France

Saint-Herblain, 2022/01/26

Pascal ROUSSY

Unterschrift des Ausstellers



Statement zur Geräusch & Vibrations-Deklaration

- Schalldruckpegel < 72 dB(A) , Unsicherheit 3 dB(A) gemäß EN 62841-2-2:2015.
- Schallleistungspegel < 83 dB(A) , Unsicherheit 3 dB(A) gemäß EN 62841-2-2:2015.
- Vibrationsgesamtwert < 2.5 m/s², Unsicherheit 3 m/s² gemäß EN 62841-2-2:2015.

Diese angegebenen Werte wurden während eines Laborversuchs gemäß der vorgegebenen Normen durchgeführt und sind zum Vergleich mit angegebenen Werten anderer Werkzeuge geeignet, welche gemäß derselben Normen geprüft wurden. Diese angegebenen Werte reichen für eine Verwendung in der Risikobewertung nicht aus, wobei Werte gemessen an den verschiedenen Arbeitsplätzen höher liegen können. Die tatsächlichen Expositionswerte und das Gefährdungsrisiko, welchen die einzelne Bedienperson ausgesetzt ist, sind einmalig und hängen von der Arbeitsweise der Bedienperson, dem Werkstück und der Auslegung des Arbeitsplatzes ab, sowie von der Expositionsdauer und der physischen Verfassung der Bedienperson.

Wir, CHICAGO PNEUMATIC Tool Co.LLC, können nicht für Folgen, die sich aus der Verwendung der von uns angegebenen Werte statt der realen Belastungswerte für die Risikoeinschätzung einer Arbeitsplatzsituation ergeben, haftbar gemacht werden, da wir auf diese keinen Einfluss haben.

Dieses Werkzeug kann bei nicht angemessener Verwendung ein Hand-Arm-Vibrationssyndrom verursachen. Einen EU-Leitfaden, der sich mit Hand-Arm-Vibration befasst, finden Sie unter <http://www.pneurop.eu/index.php> und durch Auswahl von „Werkzeuge“ und „Gesetzgebung“.

Wir empfehlen ein Programm zur Gesundheitsüberwachung, durch welches frühe Symptome erkannt werden können, welche auf die Vibrationsexposition zurückgeführt werden könnten, so dass die Abläufe der Maßnahmen daraufhin so geändert werden können, dass zukünftige Beeinträchtigungen vermieden werden.

i Wenn dieses Gerät für Einbauanwendungen vorgesehen ist:

Angaben zur Geräuschemission dienen als Richtwert für den Gerätebauer. Für das komplette Gerät geltende Geräusch- und Vibrationsemissionsdaten sollten in der zum Gerät gehörenden Bedienungsanleitung aufgeführt werden.

Spezifikationen der Drahtloskommunikation

BLUETOOTH LOW ENERGY 4.2®

Frequenz: 2400 MHz - 2483,5MHz

EIRP: <10 dBm

Die Bluetooth®-Wortmarke und -Logos sind eingetragene Warenzeichen der Bluetooth SIG, Inc

Regionale Anforderungen

⚠️ WARNUNG

Dieses Produkt kann Sie Chemikalien, einschließlich Blei, aussetzen, was nach Kenntnis des Bundesstaats Kalifornien zu Krebserkrankungen und Geburtsfehlern oder sonstigen Schäden am Fortpflanzungssystem führen kann. Weitere Informationen finden Sie unter

<https://www.p65warnings.ca.gov/>

Sicherheit

NICHT WEGWERFEN - AN BENUTZER WEITERLEITEN

⚠️ WARNUNG Lesen Sie alle mit diesem Produkt gelieferten Sicherheitshinweise, Anweisungen, Abbildungen und Spezifikationen.

Eine Nichtbeachtung der Anweisungen kann zu Stromschlägen, Bränden, Sachschäden und/oder ernsthaften Verletzungen führen.

Bewahren Sie alle Warnhinweise und Anweisungen zur künftigen Verwendung auf.

⚠️ WARNUNG Alle örtlichen Vorschriften, die Installation, Bedienung und Wartung betreffen, müssen immer beachtet werden.

Nutzungserklärung

- Nur zum Gebrauch durch ausgebildete Fachkräfte.
- Dieses Produkt und sein Zubehör dürfen in keinem Fall modifiziert werden.
- Benutzen Sie dieses Produkt nicht, wenn es beschädigt ist.
- Wenn die Produktdatenschilder oder Gefahrenwarnschilder unleserlich werden oder sich ablösen, sind diese sofort zu ersetzen.
- Das Produkt darf nur von geschulten Fachkräften und nur in Industrieumgebungen installiert, bedient und gewartet werden.

Vorgesehener Verwendungszweck

Das Produkt darf nur von Erwachsenen verwendet werden, die die Anweisungen und Warnungen in diesem Handbuch gelesen und verstanden haben und die für ihr eigenes Handeln verantwortlich gemacht werden können.

- Dieses Produkt ist für das Einsetzen und Entfernen von Gewindeschrauben in Holz, Metall oder Kunststoff konzipiert.
- Nur zur Verwendung in Innenräumen.
- Verwenden Sie das Produkt nicht für andere als die oben beschriebenen Zwecke.
- Sonstige Verwendungen sind unzulässig

Empfohlene Akkus

8940176068: CP36XP25

Empfohlenes Ladegerät

8940176069: CP18-36CH

Empfohlene Momentenstütze

Verwenden Sie die mit dem Werkzeug gelieferte Momentenstütze (7). Für andere Modelle, siehe Dokumentreferenz 6159923710 für Momentenstützen.

Allgemeine Sicherheitshinweise für das Arbeiten mit Elektrowerkzeugen

⚠️ WARNUNG Lesen Sie alle mit diesem Produkt gelieferten Sicherheitshinweise, Anweisungen, Abbildungen und Spezifikationen.

Eine Nichtbeachtung der Anweisungen kann zu Stromschlägen, Bränden, Sachschäden und/oder ernsthaften Verletzungen führen.

Bewahren Sie alle Warnhinweise und Anweisungen zur künftigen Verwendung auf.

Der in den Warnhinweisen verwendete Begriff „Elektrowerkzeug“ bezieht sich auf Ihr netzbetriebenes (mit Kabel versehenes) oder batteriebetriebenes (schnurloses) Elektrowerkzeug.

Sicherheit am Arbeitsplatz

- **Halten Sie Ihren Arbeitsbereich stets sauber und sorgen Sie für eine gute Beleuchtung.** Unaufgeräumte und unausgeleuchtete Bereiche sind potenzielle Gefahrenquellen.
- **Benutzen Sie die Werkzeuge nicht in explosionsgefährdeten Umgebungen, z. B. in der Nähe entflammbarer Flüssigkeiten, explosiver Gase oder in staubigen Bereichen.** Elektrowerkzeuge erzeugen Funken, die die Gase oder Partikeln entzünden können.
- **Halten Sie Kinder und Umstehende während der Benutzung eines Werkzeugs von Ihrem Arbeitsbereich fern.** Ablenkungen und Unachtsamkeit können zu Unfällen führen.

Elektrische Sicherheit

- **Die Stecker von Elektrowerkzeugen müssen in die Steckdose passen.** Manipulieren Sie den Stecker in keiner Weise. Verwenden Sie bei geerdeten Elektrowerkzeugen keine Adapterstecker. Nicht veränderte Stecker und passende Steckdosen verringern die Stromschlaggefahr.
- **Vermeiden Sie Körperkontakt mit geerdeten Oberflächen wie Rohren, Heizkörpern, Kühlschränken und Herden.** Es besteht erhöhte Stromschlaggefahr, wenn Ihr Körper geerdet ist.
- **Setzen Sie die Werkzeuge niemals Regen, Wasser oder Feuchtigkeit aus.** Wasser im Gehäuseinneren erhöht die Stromschlaggefahr.
- **Vermeiden Sie den unsachgemäßen Gebrauch des Kabels.** Tragen Sie das Werkzeug niemals am Kabel. Versuchen Sie nicht, den Stecker durch Ziehen am Kabel aus der Steckdose zu entfernen. Das Kabel ist von Wärmequellen, Öl, scharfen Kanten oder beweglichen Teilen fernzuhalten. Beschädigte oder verknotete Kabel erhöhen die Stromschlaggefahr.
- **Verwenden Sie für Arbeiten im Freien ein Verlängerungskabel, das für den Einsatz im Freien geeignet ist.** Der Einsatz eines Verlängerungskabels, das für den Einsatz im Freien geeignet ist, verringert die Stromschlaggefahr.
- **Ist der Einsatz des Elektrowerkzeugs in einer feuchten Umgebung unumgänglich, sollte die Spannungsversorgung durch eine Fehlerstrom-Schutzeinrichtung gesichert sein.** Der Einsatz einer Fehlerstrom-Schutzeinrichtung reduziert die Stromschlaggefahr.

Personensicherheit

- **Seien Sie beim Arbeiten mit den Werkzeugen stets aufmerksam und achten Sie auf Ihre Handlungen.** Benutzen Sie dabei Ihren gesunden Menschenverstand. Verwenden Sie das Elektrowerkzeug nie in ermüdetem Zustand oder unter dem Einfluss von Drogen, Alkohol oder Medikamenten. Eine kleine Unachtsamkeit bei der Werkzeugverwendung kann bereits zu schweren Verletzungen führen.
- **Verwenden Sie Ihre persönliche Schutzausrüstung.** Tragen Sie grundsätzlich eine Schutzbrille. Teile der Schutzausrüstung wie Staubmaske, rutschfeste Sicher-

heitsschuhe, ein Helm oder der Gehörschutz reduzieren unter den entsprechenden Umständen die Gefahr von Personenschäden.

- **Verhindern Sie unbeabsichtigtes Starten des Werkzeugs.** Vergewissern Sie sich, dass sich der Schalter in der Stellung „Aus“ befindet, bevor Sie das Werkzeug an die Stromversorgung und/oder den Akku anschließen, es aufheben oder tragen. Das Tragen von Werkzeugen mit dem Finger auf dem Schalter oder das Einstecken von eingeschalteten Werkzeugen kann leicht zu Unfällen führen.
- **Entfernen Sie vor dem Einschalten alle Einstellschlüssel oder Werkzeuge.** Schraubenschlüssel oder ähnliche Komponenten, die mit einem rotierenden Werkzeugteil verbunden sind, können Verletzungen verursachen.
- **Gehen Sie nah genug an die zu verschraubende Verbindung heran.** Sorgen Sie für festen Stand und gute Balance. Dadurch haben Sie in unerwarteten Situationen eine bessere Kontrolle über das Werkzeug.
- **Tragen Sie geeignete Arbeitskleidung, vermeiden Sie weite Kleidung und Schmuck.** Haare und Kleidung von beweglichen Teilen fernhalten. Weite Kleidung, Schmuck oder lange Haare können sich darin verfangen.
- **Wurden Geräte zum Anschließen von Absaugungen oder Auffangvorrichtungen mitgeliefert, vergewissern Sie sich, dass diese angeschlossen sind und korrekt verwendet werden.** Der Einsatz von Entstaubern kann Gefahren im Zusammenhang mit Staub reduzieren.
- **Ignorieren Sie niemals die Sicherheitsprinzipien, nur weil Sie aufgrund eines häufigen Gebrauchs des Werkzeugs meinen, dass Sie das Werkzeug gewohnt sind.** Eine unvorsichtige Handhabung kann innerhalb eines Bruchteils einer Sekunde schwere Verletzungen verursachen.
- **Wird unter Bedingungen gearbeitet, bei denen die Schraubvorrichtung mit verdeckt liegenden Leitungen in Berührung kommen kann, halten Sie das Elektrowerkzeug an den isolierten Griffflächen.** Der Kontakt mit einem Strom führenden Kabel kann diesen an freiliegende Metallteile des Elektrowerkzeugs weiterleiten und dem Bediener einen Stromschlag versetzen.

Sorgfältiger Umgang und Gebrauch von Elektrowerkzeugen

- **Wenden Sie beim Umgang mit dem Elektrowerkzeug keine Gewalt an.** Verwenden Sie das passende Elektrowerkzeug für die jeweilige Anwendung. Das korrekte Elektrowerkzeug führt Arbeiten besser und sicherer aus als ein Werkzeug, das nicht für diese Aufgabe ausgelegt ist.
- **Verwenden Sie nie ein Elektrowerkzeug, dessen Ein/Aus-Schalter nicht ordnungsgemäß funktioniert.** Jedes Elektrowerkzeug, das nicht über den Schalter kontrolliert werden kann, stellt eine Gefahrenquelle dar und muss repariert werden.
- **Trennen Sie den Stecker vom Netz und/oder dem Akku (falls abnehmbar), bevor Sie Einstellungen am Werkzeug vornehmen, Zubehör austauschen oder**

- **das Gerät lagern.** Diese Sicherheitsvorkehrungen verhindern ein unabsichtliches Einschalten des Elektrowerkzeugs.
- **Lagern Sie Werkzeuge außerhalb der Reichweite von Kindern, und lassen Sie nicht zu, dass Personen, die mit dem Werkzeug oder diesen Anweisungen nicht vertraut sind, mit dem Elektrowerkzeug arbeiten.** Elektrowerkzeuge stellen in Händen unerfahrener Benutzer eine Gefahr dar.
- **Wartung von Elektrowerkzeugen und Zubehör.** Überprüfen Sie das Werkzeug auf falsche Justierung, verklemmte bewegliche und abgebrochene Teile sowie sonstige Fehler, die die Funktionsweise des Elektrowerkzeugs beeinträchtigen könnten. Lassen Sie das Elektrowerkzeug bei Beschädigungen reparieren. Viele Unfälle sind auf schlecht gewartete Elektrowerkzeuge zurückzuführen.
- **Halten Sie Schneidwerkzeuge scharf und sauber.** Korrekt gewartete Werkzeuge mit scharfen Schneiden bleiben weniger häufig hängen und sind leichter zu kontrollieren.
- **Setzen Sie das Elektrowerkzeug, das Zubehör und die Werkzeugeinsätze etc. entsprechend diesen Anweisungen ein.** Beachten Sie dabei die Arbeitsbedingungen und die durchzuführenden Arbeiten. Nicht bestimmungsgerechter Gebrauch des Elektrowerkzeugs kann zu gefährlichen Situationen führen.
- **Halten Sie Griffe und Greifflächen trocken, sauber und frei von Öl und Fett.** Rutschige Griffe und Greifflächen erlauben keine sichere Handhabung und Kontrolle des Werkzeugs in unerwarteten Situationen.

Sorgfältiger Umgang und Gebrauch von Akkuwerkzeugen

- **Das Werkzeug nur mit dem vom Hersteller spezifizierten Ladegerät aufladen.** Wenn ein Ladegerät, das sich für eine bestimmte Art von Akkus eignet, mit einem anderen Akkupack verwendet wird, kann dies u. U. zu einem Brandrisiko führen.
- **Elektrowerkzeuge nur mit speziell hierfür vorgesehenen Akkupacks verwenden.** Der Gebrauch von anderen Akkupacks kann zu Verletzungen und Brandgefahr führen.
- **Nicht verwendete Akkupacks von Büroklammern, Münzen, Schlüsseln, Nägeln, Schrauben und anderen kleinen Metallgegenständen fernhalten, die eine Überbrückung der Kontakte verursachen könnten.** Ein Kurzschluss zwischen den Akkukontakten kann zu Verbrennungen oder Feuer führen.
- **Bei falscher Anwendung kann Flüssigkeit aus dem Akku austreten. Einen Kontakt damit vermeiden. Bei einem versehentlichen Kontakt mit Wasser abspülen. Wenn die Flüssigkeit in die Augen kommt, zusätzlich ärztliche Hilfe aufsuchen.** Austretende Akkuflüssigkeit kann zu Hautreizungen oder Verbrennungen führen.
- **Verwenden Sie keine Akkus oder Werkzeuge, die beschädigt sind oder modifiziert wurden.** Beschädigte oder modifizierte Akkus können ein unvorhersehbares Verhalten aufweisen, wodurch Brände, Explosionen und Verletzungen verursacht werden können.

- **Setzen Sie die Akkus und Werkzeuge keinem Feuer oder hohen Temperaturen aus.** Die Einwirkung von Feuer oder Temperaturen über 130 °C können Explosionen verursachen.
- **Befolgen Sie alle Anweisungen zum Aufladen und laden Sie keine Akkus oder Werkzeuge außerhalb des in den Anweisungen angegebenen Temperaturbereichs auf.** Ein unsachgemäßes Aufladen oder bei Temperaturen außerhalb des angegebenen Bereichs kann den Akku beschädigen und das Brandrisiko erhöhen.

Wartung

- **Die Wartung Ihres Elektrowerkzeugs darf nur von qualifizierten Technikern unter Verwendung identischer Ersatzteile durchgeführt werden.** Damit wird die fortwährende Sicherheit des Elektrowerkzeugs sichergestellt.
- **Warten Sie niemals beschädigte Akkus.** Die Wartung von Akkus darf nur vom Hersteller oder von autorisierten Dienstleistern durchgeführt werden.

Produktspezifische Anweisungen

Warnung!

Um das Risiko von Feuer, Verletzungen und Produktschäden aufgrund von Kurzschlüssen zu verringern, tauchen Sie das Werkzeug, den Akku oder das Ladegerät niemals in Flüssigkeit ein oder und lassen Sie keine Flüssigkeit in die Geräte fließen. Ätzende oder leitende Flüssigkeiten wie Meerwasser, bestimmte Industriechemikalien und Bleichmittel-enthaltende Produkte usw. können einen Kurzschluss verursachen.

Besondere Vorsichtsmaßnahmen

- Das Gerät darf nur in Kombination mit dem zugehörigen Gegenhalter verwendet werden, der auf die entsprechende Schraubverbindungsanwendung angepasst wurde.
- Benutzen Sie einen Doppel-Hebelstarter, um das Risiko möglichst gering zu halten, dass Finger oder Hände zwischen den Gegenhalter und das Werkstück geraten können.

Allgemeine Sicherheit bei der Installation

Installationsarbeiten dürfen nur von Fachpersonal ausgeführt werden.

Das Werkzeug sicher einhängen, beispielsweise mittels eines Balancers. Wenn ein Aufhängebügel verwendet wird, prüfen, ob dieser einwandfrei und richtig befestigt ist.

Das System stets an eine geerdete Steckdose anschließen. Stellen Sie stets sicher, dass der Netzstecker gezogen wurde und die Steuerung ausgeschaltet ist, bevor Sie das Werkzeugkabel anschließen oder abziehen.

Besondere Vorsichtsmaßnahmen

WARNUNG Quetschgefahr

Der Doppel-Hebelstarter zwingt den Benutzer, das Werkzeug mit beiden Händen zu bedienen. Bei Nichtgebrauch kann der Bediener das Werkzeug versehentlich während der Einstellung des Reaktionsbalkens starten, was zu einer schweren Handverletzung führen kann.

- ▶ Stellen Sie sicher, dass das Werkzeug nicht mehr gestartet werden kann, nachdem der Doppel-Hebelstarter losgelassen wurde.
- ▶ Testen Sie das Werkzeug immer, indem Sie zuerst den Abzug des Doppel-Hebelstarters loslassen und dann den Drücker des Werkzeugs drücken. Wenn das Werkzeug startet, stoppen Sie die Arbeit.

Allgemeine Betriebssicherheit

- **Tragen Sie aufgrund des Verfang- und Aufwickelrisikos keine Handschuhe.**
- **Seien Sie auf die Reaktionskraft vorbereitet, wenn das Werkzeug benutzt wird.** Den Handgriff des Werkzeugs immer sicher in der Gegenrichtung zur Spindeldrehung unterstützen, um die Auswirkung von plötzlichen Drehmomentreaktionen während der letzten Phase des Festziehens oder der Anfangsphase des LöSENS von Befestigungselementen zu vermeiden.
- **Antrieb, Steckschlüssel oder Antriebsverlängerungen niemals halten.**
- **Bedien- und Wartungspersonal muss in der körperlichen Verfassung sein, um mit Größe, Gewicht und Leistung des Werkzeugs zu Rande zu kommen.**
- **Nach Möglichkeit eine Aufhängestütze zur Aufnahme des Reaktionsmoments verwenden. Falls dies nicht möglich ist, wird für Pistolengriff- und Stabmodelle die Verwendung von Seitenhaltegriffen empfohlen. Für Winkelschrauber werden Gegenhalter empfohlen.** Es wird empfohlen, bei Stabmodellen eine Vorrichtung zur Aufnahme von Reaktionsmomenten von über 4 Nm (3 lbf.ft), bei Pistolengriffmodellen zur Aufnahme von Reaktionsmomenten von über 10 Nm (7,5 lbf.ft) und bei Winkelschraubern zur Aufnahme von Reaktionsmomenten von über 60 Nm (44 lbf.ft) zu verwenden.
- **Zu stark oder zu schwach angezogene Befestigungselemente können zu schweren Verletzungen führen.** Schraubverbindungen, für die ein bestimmtes Drehmoment vorgeschrieben ist, müssen mit einem Drehmomentmesser nachgeprüft werden. So genannte „Knickschlüssel“ erlauben keine Kontrolle eventuell gefährlicher überhöhter Anzugsmomente. Zu stark oder zu schwach angezogene Befestigungselemente können brechen, sich lösen oder abtrennen. Freigesetzte Baugruppenkomponenten können zu Projektilen werden.
- **Nur für Kraft- oder Schlagschrauber vorgesehene Steckschlüssel, die sich in gutem Zustand befinden, benutzen.** Keine Steckschlüssel für Handknarren verwenden.

- **Die Verwendung eines Elektrowerkzeugs kann nach längerer Zeit zu Unbehagen an Händen, Armen, Schultern, Nacken oder anderen Körperteilen führen.** Wechseln Sie über den Arbeitstag hinweg durch verschiedene geeignete Haltungen, behalten Sie einen sicheren Stand bei und vermeiden Sie unbequeme oder schiefe Körperhaltungen.
- **Sich wiederholende Bewegungen, schlechte Körperhaltung und die Belastung durch Schwingungen können Arme und Hände langfristig schädigen.** Sollten Sie Gefühllosigkeit, Kribbeln, Schmerzen oder weiße Flecken an Ihrer Haut bemerken, arbeiten Sie nicht mehr mit diesem Werkzeug und wenden Sie sich an einen Arzt.
- **Arbeiten Sie unter beengten Platzverhältnissen vorsichtig.** Achten Sie darauf, dass Ihre Hände nicht zwischen Werkzeug und Werkstück gequetscht werden.
- **Hohe Lärmpegel können zu permanentem Hörverlust führen.** Verwenden Sie einen Gehörschutz laut Empfehlung Ihres Arbeitgebers bzw. entsprechend den Gesundheits- und Sicherheitsbestimmungen.
- **Stellen Sie sicher, dass das Werkstück sicher fixiert ist.**
- **Arbeiten Sie in unbekanntem Umgebungen besonders vorsichtig.** Machen Sie sich stets die potenziellen Gefahren bewusst, die von Ihrer Arbeit ausgehen. Dieses Werkzeug ist nicht gegen einen Kontakt mit Stromquellen isoliert.

Werkzeuge mit Gegenhalter: Niemals die Hand auf den Gegenhalter legen oder in seiner Nähe haben, wenn das Werkzeug benutzt wird. Vor dem Start des Werkzeugs die Spindeldrehrichtung überprüfen. Bei Einsetzen der Reaktionskraft in eine unerwartete Richtung besteht Quetschgefahr.

Werkzeuge mit integrierter Kupplung: Das Produkt nur dann verwenden, wenn Sie sicher sind, dass die Kupplung auslöst. Sofort nach Einstellung der Kupplung richtigen Betrieb überprüfen.

WARNUNG Verletzungsgefahr

Stellen Sie sicher, dass die richtige Parameterdatei verwendet wird. Eine falsche Parameterdatei kann zu einem zu hohen Drehmoment und damit zu Verletzungen führen.

- ▶ Vergleichen Sie das maximale Drehmoment, das in der Steuerung angezeigt wird, mit dem maximalen Drehmoment, das in den technischen Daten für das Werkzeug angegeben ist. Die Werte müssen gleich sein.

Allgemeine Anweisungen

Das Werkzeug darf nur in Kombination mit dem zugehörigen Gegenhalter verwendet werden, der auf die entsprechende Schraubverbindungsanwendung angepasst wurde.

! WARNUNG Quetschgefahr



Vor dem Start die Drehrichtung des Werkzeugs prüfen. Ein Start in eine unerwartete Drehrichtung kann zu Verletzungen und Sachschäden führen. Bewegliche Teile können Quetsch- und Schnittverletzungen verursachen.

- ▶ Vor dem Start des Werkzeugs sicherstellen, dass die Drehrichtung des Werkzeugs korrekt ist.
- ▶ Hände und Finger von beweglichen Teilen fernhalten.

Betrieb des Werkzeugs

1. Montieren Sie die Momentenstütze gemäß den in diesem Dokument enthaltenen Sicherheitshinweisen.
2. Statten Sie das Werkzeug gemäß den in diesem Dokument enthaltenen Sicherheitshinweisen mit einer geeignete Stecknuss aus.
3. Wählen Sie mittels der Einstellungstasten (4) und dem Anzeigebildschirm (3) den korrekten Modus aus.
4. Wählen Sie mittels des Umschaltknopfs (6) die korrekte Richtung aus.
5. Positionieren Sie das Werkzeug und die Drehmomentstütze (7) gemäß den in diesem Dokument enthaltenen Sicherheitshinweisen.
6. Betätigen Sie den zweiten Drücker (1) und halten Sie diesen gedrückt.
7. Betätigen Sie den Hauptdrücker (2) und halten Sie diesen gedrückt.
8. Halten Sie die Drücker (1 & 2) bis zum Ende des Vorgangs gedrückt.
9. Überprüfen Sie mittels der Melde-LEDs (5) den Status des Vorgangs. Grün (IO), Rot (NIO).

Akku

Akkupacks, welche für einige Zeit nicht verwendet wurden, sollten vor der Benutzung wieder aufgeladen werden. Temperaturen über 50 °C (122 °F) verringern die Leistung von Akkupacks. Vermeiden Sie es, die Akkus übermäßiger Hitze oder Sonneneinstrahlung auszusetzen (Überhitzungsgefahr).

Die Kontakte der Ladegeräte und Akkupacks müssen sauber gehalten werden.

Für eine optimale Lebensdauer müssen die Akkupacks nach der Verwendung vollständig geladen werden. Um eine höchstmögliche Akkulaufzeit zu erhalten, nehmen Sie den Akkupack aus dem Ladegerät, sobald er vollständig geladen ist.

Der Akku verfügt über einen Überlastschutz, der ihn vor Überlastung schützt und eine lange Lebensdauer gewährleistet. Bei extremer Belastung schaltet die Batterieelektronik das Produkt automatisch ab. Schalten Sie das Gerät zum Neustart aus und wieder ein. Wenn das Produkt sich nicht

erneut starten lässt, hat sich der Akku möglicherweise vollständig entladen. In diesem Fall muss er im Ladegerät aufgeladen werden.

Wartungsanweisungen

- Befolgen Sie die örtlichen Umweltvorschriften zur sicheren Handhabung und Entsorgung aller Komponenten.
- Wartungs- und Instandsetzungsarbeiten dürfen ausschließlich von qualifiziertem Personal und unter Verwendung von Original-Ersatzteilen durchgeführt werden. Wenden Sie sich an den Hersteller oder den nächsten Händler, wenn Sie Rat zum technischen Service oder Ersatzteile benötigen.
- Stets darauf achten, dass die Maschine von der Energiequelle getrennt ist, um ein ungewolltes Inbetriebsetzen zu vermeiden.
- Zerlegen und überprüfen Sie das Werkzeug alle drei Monate, wenn das Werkzeug jeden Tag benutzt wird. Schadhafte oder verschlissene Teile sind zu ersetzen.
- Lassen Sie Bremsflüssigkeiten, Benzin, Petroleumprodukte, eindringende Öle usw. niemals mit Kunststoffteilen in Berührung kommen. Chemikalien können das Plastik beschädigen, schwächen oder zerstören, was zu ernsthaften Verletzungen führen kann.
- Verwenden Sie keine Lösungsmittel zum Reinigen von Kunststoffteilen. Die meisten Kunststoffe sind anfällig für Schäden durch verschiedene kommerzielle Lösungsmittel und können durch ihre Verwendung beschädigt werden. Verwenden Sie saubere Kleidung, um Schmutz, Staub, Öl, Fett usw. zu entfernen.

Entsorgung

- Dieses Gerät muss entsprechend den gesetzlichen Bestimmungen des jeweiligen Landes entsorgt werden.
- Alle beschädigten, stark verschlissenen oder nicht korrekt funktionierenden Geräte **MÜSSEN AUSSER BETRIEB GENOMMEN WERDEN.**

Schilder und Aufkleber

Am Produkt befinden sich Schilder und Aufkleber, die wichtige Angaben zur Personensicherheit und Produktwartung enthalten. Die Schilder und Aufkleber müssen immer gut leserlich sein. Neue Schilder und Aufkleber können mithilfe der Ersatzteilliste bestellt werden.



Symbole



Entfernen Sie den Akkupack, bevor Sie Arbeiten an der Maschine ausführen.



Bitte lesen Sie die Bedienungsanleitung aufmerksam durch, bevor Sie die Maschine starten.

s011050



Entsorgen Sie elektrische Werkzeuge nicht im Restmüll. Elektrische Werkzeuge und elektronische Ausrüstung, die das Ende ihrer Lebensdauer erreicht haben, müssen getrennt gesammelt und an eine umweltgerechte Recyclinganlage zurückgeführt werden. Kontaktieren Sie Ihre örtlichen Behörden oder Ihren Fachhändler für Informationen zum Recycling und Sammelstellen.



Tragen Sie bei der Verwendung der Maschine stets eine Schutzbrille.

n_0

Keine Lastdrehzahl.

V

Volt

min^{-1}

pro Minute



Gleichstrom



ACHTUNG! WARNUNG! GEFAHR!

Nützliche Informationen

Website

Informationen zu unseren Produkten, Zubehör, Ersatzteilen und Veröffentlichungen finden Sie auf der Internetseite von Chicago Pneumatic.

Besuchen Sie: www.cp.com.

Herkunftsland

HUNGARY

Sicherheitsdatenblatt

Die Sicherheitsdatenblätter enthalten Beschreibungen der von Chicago Pneumatic vertriebenen chemischen Produkte.

Weitere Informationen finden Sie auf der Webseite von Chicago Pneumatic unter qr.cp.com/sds.

Copyright

© Copyright 2022, CHICAGO PNEUMATIC Tool Co.LLC, 1815 Clubhouse Road, Rock Hill, SC 29730 - USA

Alle Rechte vorbehalten. Jeglicher nicht autorisierte Gebrauch sowie das Kopieren der Inhalte ganz oder in Teilen ist verboten. Dies gilt insbesondere für Handelsmarken, Modellbezeichnungen, Artikelnummern und Zeichnungen. Verwenden Sie ausschließlich Originalbauteile. Schäden oder Fehlfunktionen, die durch den Einsatz unzulässiger Bauteile entstehen, sind nicht von der Garantie oder Produkthaftung abgedeckt.

Datos técnicos

Descripción del producto

Consulte la ilustración 2: Descripción del producto

- 1 Segundo gatillo
- 2 Gatillo principal

- 3 Pantalla
- 4 Botones de configuración
- 5 LED informativos
- 6 Botón de marcha inversa
- 7 Barra de reacción tipo s (se entrega con la herramienta)

Declaraciones

DECLARACIÓN DE CONFORMIDAD DE LA UE

Nosotros, **CHICAGO PNEUMATIC Tool Co.LLC**, 1815 Clubhouse Road, Rock Hill, SC 29730 - USA, declaramos bajo nuestra única responsabilidad que el producto (con nombre, tipo y número de serie indicados en la primera página) es conforme a las siguientes Directivas: 2006/42/EC; 2011/65/UE; 2014/53/UE

Normativas armonizadas aplicadas: EN 62841-2-2:2014 + AC1:2015; EN 55014-1:2017+11:2020; EN 55014-2:2015; EN 61000-6-2:2019; EN 61000-6-3:2007 + A1:2011; EN 300328V222; EN 301489-17V324; EN 301489-1V223; EN 62311:2008; EN 62479:2010

Las autoridades pueden solicitar información técnica relevante a:

Pascal Roussy, R&D Manager, Ets Georges Renault, 38 rue Bobby Sands, BP10273 44818 Saint Herblain, France

Saint-Herblain, 2022/01/26

Pascal ROUSSY

Firma del emisor

Declaración sobre ruido y vibraciones

- Nivel de presión acústica < 72 dB(A), incertidumbre 3 dB(A), de conformidad con EN 62841-2-2:2015..
- Nivel de presión acústica < 83 dB(A), incertidumbre 3 dB(A), de conformidad con EN 62841-2-2:2015.
- Valor total de vibración < 2.5 m/s², incertidumbre 3 m/s², de acuerdo con EN 62841-2-2:2015.

Los valores declarados han sido obtenidos en ensayos de laboratorio realizados según la normativa indicada y pueden utilizarse para compararlos con los valores declarados para otras herramientas que hayan sido ensayadas siguiendo la misma normativa. Los valores declarados no se pueden utilizar para evaluación de riesgos y los valores obtenidos en cada lugar de trabajo podrían alcanzar cifras superiores. Los valores reales de exposición y de riesgo de daños para cada individuo dependen del sistema de trabajo del usuario, del diseño del puesto de trabajo y de la pieza, y también del tiempo de exposición y del estado físico del usuario.

Nosotros, **CHICAGO PNEUMATIC Tool Co.LLC**, no tendremos responsabilidad alguna por las consecuencias del uso de los valores declarados en lugar de unos valores que

reflejen la exposición real, en una evaluación de riesgos individuales en una situación de trabajo sobre la que no tenemos control alguno.

Esta herramienta puede causar síndrome de vibración si su uso no se administra de forma adecuada. Puede encontrar una guía de la UE sobre cómo manejar la vibración mano-brazo accediendo a <http://www.pneurop.eu/index.php> y seleccionando "Tools" (Herramientas) y "Legislation" (Legislación).

Se recomienda mantener un programa de control sanitario de detección precoz de los síntomas relacionados con la exposición a vibraciones, con objeto de modificar los procedimientos de gestión y así evitar posibles discapacidades.

- i** Este equipo está diseñado para aplicaciones de montaje de sujeción:
La emisión de ruido se indica a modo de guía para el fabricante de la máquina. Los datos de emisiones de ruido y vibraciones de toda la máquina deberán incluirse en el manual de instrucciones de esta.

Especificaciones de comunicación inalámbrica

BLUETOOTH LOW ENERGY 4.2®

Frecuencia: 2400 MHz - 2483,5MHz

EIRP: <10 dBm

La marca nominativa y los logos Bluetooth® son marcas comerciales registradas propiedad de Bluetooth SIG, Inc

Requisitos regionales

⚠ ADVERTENCIA

Este producto le puede exponer al plomo, considerado por el Estado de California como causante de cáncer y de malformaciones congénitas u otros daños reproductivos. Para más información visite

<https://www.p65warnings.ca.gov/>

Seguridad

CONSERVAR - ENTREGAR AL USUARIO

⚠ ADVERTENCIA Lea todas las advertencias, instrucciones, ilustraciones y especificaciones de seguridad suministradas con este producto.

Si no se siguen todas las instrucciones que se indican a continuación pueden producirse descargas eléctricas, incendios, daños en la propiedad y/o lesiones graves.

Guarde todas las advertencias e instrucciones para futuras consultas.

⚠ ADVERTENCIA Respete siempre todas las normas de seguridad relativas a la instalación, funcionamiento y mantenimiento de acuerdo a la legislación local.

Declaración de uso

- Solo para uso profesional.

- No se debe modificar ningún aspecto de este producto ni de sus accesorios.
- No utilice este producto si está dañado.
- Si los datos del producto o las señales de advertencia de peligro en el producto dejan de ser legibles o se desprenden, sustitúyalas sin demora.
- Solo personal cualificado puede instalar, operar y realizar servicios en el producto en un entorno industrial.

Uso previsto

Este producto está destinado a ser utilizado únicamente por adultos que hayan leído y entendido las instrucciones y advertencias de este manual y puedan ser consideradas responsables de sus acciones.

- Este producto está diseñado para la instalación y extracción de uniones roscadas en madera, metal o plástico.
- Solamente para uso en interiores.
- No use el producto para cualquier otra finalidad no descrita anteriormente.
- No se permite ningún otro uso

Baterías recomendadas

8940176068: CP36XP25

Cargador recomendado

8940176069: CP18-36CH

Barra de reacción recomendada

Utilice la barra de reacción (7) entregada con la herramienta. Para otros modelos consulte la documentación de la barra de reacción con referencia 6159923710

Advertencias de seguridad generales para herramientas eléctricas

⚠ ADVERTENCIA Lea todas las advertencias, instrucciones, ilustraciones y especificaciones de seguridad suministradas con este producto.

Si no se siguen todas las instrucciones que se indican a continuación pueden producirse descargas eléctricas, incendios, daños en la propiedad y/o lesiones graves.

Guarde todas las advertencias e instrucciones para futuras consultas.

El término "herramienta eléctrica" de las advertencias se refiere a herramientas eléctricas accionadas por la red de suministro (con cable) o a las accionadas por batería (sin cable).

Seguridad de la zona de trabajo

- **Mantenga el lugar de trabajo limpio y bien iluminado.** Las zonas desorganizadas y mal iluminadas pueden provocar accidentes.
- **No utilice herramientas motorizadas en entornos en los que exista peligro de explosión, como en entornos con polvo, gases o líquidos inflamables.** Las herramientas eléctricas generan chispas que pueden inflamar el polvo o los gases.

- **Mientras utiliza una herramienta motorizada, mantenga a las personas (niños, compañeros, etc.) alejadas.** Las distracciones pueden hacer que pierda el control.

Seguridad eléctrica

- **Las conexiones de las herramientas motorizadas deben encajar en el enchufe. Nunca modifique la conexión de ninguna manera. No utilice adaptadores con las herramientas motorizadas con toma de tierra (masa).** Si se utilizan conexiones sin modificar en sus correspondientes enchufes se reduce el riesgo de descargas eléctricas.
- **Evite el contacto físico con superficies que estén conectadas a una toma de tierra como, por ejemplo, tuberías, radiadores, cocinas y frigoríficos.** El riesgo de sufrir una descarga eléctrica aumenta si su cuerpo está conectado a tierra.
- **No exponga las herramientas motorizadas a la lluvia ni a la humedad.** Al entrar agua en el interior de una herramienta motorizada aumenta el riesgo de que se produzcan descargas eléctricas.
- **No tire del cable. Nunca utilice el cable para trasladar, tirar o desenchufar la herramienta motorizada. Mantenga el cable alejado de fuentes de calor, aceite, bordes cortantes o piezas en movimiento.** Un cable en mal estado o enredado aumenta el riesgo de que se produzcan descargas eléctricas.
- **Cuando utilice una herramienta motorizada en exteriores, utilice un cable alargador adecuado para uso en exteriores.** La utilización de un cable adecuado para su uso en exteriores reduce el riesgo de que se produzcan descargas eléctricas.
- **Si es inevitable la utilización de una herramienta motorizada en un lugar húmedo, utilice un suministro protegido con dispositivo diferencial residual (DDR).** El uso de un DDR reduce el riesgo de que se produzcan descargas eléctricas.

Seguridad personal

- **Manténgase siempre alerta, céntrese en lo que está haciendo y aplique el sentido común al utilizar cualquier herramienta motorizada. No utilice herramientas motorizadas si está cansado o se encuentra bajo los efectos de medicamentos, alcohol o drogas.** Un momento de distracción mientras utiliza una herramienta motorizada puede provocar graves daños personales.
- **Utilice equipos de protección personal. Utilice siempre protección ocular.** El uso de equipos de protección como mascarillas antipolvo, calzado de seguridad antideslizante, casco o protección para los oídos en las condiciones apropiadas reduce el riesgo de sufrir lesiones personales.
- **Evite el encendido inintencionado. Asegúrese de que el interruptor está en la posición de apagado antes de conectar la herramienta a la fuente de alimentación y/o paquete de baterías, levantarla o transportarla.** Si transporta la herramienta motorizadas con el dedo en el gatillo o si conecta la herramienta mientras el interruptor está activado, pueden producirse accidentes.

- **Retire cualquier tipo de llave de ajuste o llave fija antes de encender la herramienta.** Si deja cualquier tipo de llave o herramienta conectada a una parte giratoria de la herramienta motorizada, pueden producirse lesiones personales.
- **No intente hacer demasiadas cosas al mismo tiempo. Mantenga el equilibrio siempre.** Esto permite controlar mejor la herramienta motorizada en situaciones imprevisibles.
- **Utilice ropa adecuada. No lleve prendas de vestir holgadas ni joyas. Mantenga el pelo y la ropa alejados de las piezas móviles.** Si viste prendas sueltas, lleva joyas o tiene el pelo largo, existe la posibilidad de que se enganchen en las piezas en movimiento.
- **Si los dispositivos están provistos con conexión de accesorios de extracción y recogida de polvo, asegúrese de conectarlos y utilizarlos correctamente.** La recogida del polvo puede reducir los riesgos relacionados con éste.
- **No deje que el conocimiento adquirido por el uso frecuente de las herramientas lo vuelva descuidado y lo lleve a ignorar los principios de seguridad de la herramienta.** Actuar sin prestar atención puede provocar lesiones muy graves en una fracción de segundo.
- **Sujete la herramienta motorizada por las superficies de agarre aisladas cuando esté realizando una operación en la que el sujetador pueda entrar en contacto con cableado oculto.** Si las sujeciones entran en contacto con un cable "activo" pueden "activar" las partes metálicas expuestas de la herramienta eléctrica y provocar una descarga eléctrica al operario.

Uso y cuidado de la herramienta motorizada

- **No fuerce la herramienta motorizada. Utilice la herramienta motorizada más adecuada para su aplicación.** Si utiliza la herramienta motorizada adecuada, podrá realizar la tarea de mejor forma y con mayor seguridad, a la velocidad para la que ha sido diseñada.
- **No utilice la herramienta motorizada si el interruptor no se enciende y apaga.** Una herramienta motorizada que no puede controlarse con el interruptor es muy peligrosa y debe ser reparada.
- **Si fuera desmontable, desconecte el enchufe de la herramienta motorizada de la fuente de alimentación y/o del paquete de baterías, si fuera antes de realizar cualquier tipo de ajuste, cambiar un accesorio o de almacenarla.** La aplicación de estas medidas preventivas de seguridad reducirá el riesgo de que la herramienta motorizada se ponga en funcionamiento accidentalmente.
- **Guarde las herramientas motorizadas que no utilice lejos del alcance de los niños y no permita su uso por parte de personas no estén familiarizadas con ellas o con estas instrucciones.** Las herramientas motorizadas en manos de personas que no están capacitadas para usarlas resultan peligrosas.
- **Conserve en buen estado las herramientas motorizadas y los accesorios. Compruebe si las piezas móviles están desalineadas o agarrotadas, si presentan daños o cualquier otra condición que pueda afectar al funcionamiento de la herramienta motorizada.**

Si la herramienta motorizada está dañada, repárela antes de utilizarla. La causa de muchos accidentes es el mantenimiento deficiente de las herramientas motorizadas.

- **Mantenga las herramientas de corte afiladas y limpias.** Las herramientas de corte mantenidas correctamente con sus bordes de corte afilados se bloquean en menos ocasiones y su control es más sencillo.
- **Utilice las herramientas motorizadas, accesorios, brocas, etc. de acuerdo con estas instrucciones, teniendo en consideración las condiciones de trabajo y la tarea que debe realizarse.** El uso de herramientas motorizadas para operaciones para las que no fueron diseñadas puede causar situaciones peligrosas.
- **Mantenga las asas y superficies de agarre secas, limpias y libres de grasas y aceites.** Las asas y superficies de agarre deslizantes no permiten controlar y manejar la herramienta con seguridad en situaciones inesperadas.

Uso y cuidado de la batería

- **Recargue la batería solo con el cargador especificado por el fabricante.** Un cargador adecuado para un tipo de batería puede provocar un incendio si se utiliza con otra batería.
- **Utilice las herramientas motorizadas sólo con las baterías específicamente designadas.** El uso de otras baterías puede provocar lesiones e incendios.
- **En períodos de desuso de la batería, guárdela alejada de objetos metálicos, como clips de papel, monedas, llaves, clavos, tornillos y otros objetos metálicos pequeños que pueden conectar una terminal con la otra.** El cortocircuito de los terminales de la batería puede provocar quemaduras e incluso un incendio.
- **Bajo determinadas condiciones, la batería puede expulsar algo de líquido, evite el contacto con él. Si el contacto se produjera accidentalmente, enjuague con agua abundante. Si el líquido entra en contacto con los ojos, consulte con su médico.** El líquido de la batería puede provocar irritación y quemaduras.
- **No utilice una batería ni una herramienta que estén dañadas o hayan sido modificadas.** Las baterías dañadas o modificadas pueden tener una conducta impredecible que diera lugar a un incendio, explosión o riesgo de sufrir lesiones.
- **No exponga la batería o la herramienta a temperaturas excesivas.** La exposición al fuego o temperaturas por encima de 130 °C puede provocar explosiones.
- **Siga todas las instrucciones de carga y no cargue la batería ni la herramienta más allá del intervalo de temperatura indicado en las instrucciones.** Una carga inadecuada o a temperaturas que excedan el intervalo especificado puede dañar la batería y aumentar el riesgo de incendio.

Servicio

- **El mantenimiento de su herramienta mecánica debe ser llevado a cabo por personal cualificado que utilice únicamente piezas de recambio idénticas.** De esta forma, se garantiza la seguridad de la herramienta motorizada.

- **Nunca repare las baterías dañadas.** Las baterías solo deben repararlas el fabricante o un servicio técnico autorizado.

Instrucciones específicas para el producto

¡Advertencia!

Para reducir el riesgo de incendio, lesiones y daños en el producto debido a un cortocircuito, nunca sumerja la herramienta, la batería ni el cargador en un líquido ni permita que ningún líquido penetre en dichos dispositivos. Los líquidos corrosivos o conductores, como el agua de mar, ciertos químicos industriales, productos de lejía o con lejía, etc. pueden causar un cortocircuito.

Precauciones especiales

- La máquina solo se debe usar con la barra de reacción de par correspondiente, adaptada para usarla con la junta atornillada en cuestión.
- Utilice el gatillo doble para reducir el riesgo de atrapamiento de manos o piernas entre la barra de reacción y la pieza de trabajo.

Seguridad general de instalación

La instalación deberá realizarla exclusivamente personal cualificado.

Cuelgue la herramienta con seguridad, por ejemplo, utilizando un compensador. Si utiliza un gancho de suspensión, compruebe que está en buen estado y correctamente sujeto.

Conecte siempre el sistema a una toma eléctrica con toma de tierra. Asegúrese siempre de desconectar el enchufe y de apagar el controlador antes de conectar o desconectar el cable de la herramienta.

Precauciones especiales

⚠ ADVERTENCIA Riesgo de aplastamiento

El accionamiento doble obliga al usuario a utilizar ambas manos para manejar la herramienta. Si no se utiliza, el operario puede encender accidentalmente la herramienta mientras ajusta la barra de reacción, causando así una lesión grave en la mano.

- ▶ Asegúrese de que la herramienta no se puede encender una vez se haya liberado el accionamiento doble.
- ▶ Compruebe siempre la herramienta primera liberando el gatillo del accionamiento doble, después, presione gatillo de la herramienta. Si la herramienta se enciende, detenga el trabajo.

Seguridad general de operación

- **A causa del riesgo de atrapamiento, no utilice guantes.**
- **Prepárese para la fuerza de reacción que se produce al utilizar la herramienta.** Apoye siempre el mango de la herramienta firmemente, en la dirección contraria a la

rotación del husillo, a fin de reducir el efecto de la reacción repentina del par durante el atornillado final y destornillado inicial.

- **Nunca sujete el eje, el zócalo ni la extensión del eje.**
- **Los operarios y el personal de mantenimiento deben estar físicamente capacitados para manejar el volumen, peso y potencia de la herramienta.**
- **Si es posible, utilice un brazo de suspensión para absorber el par de reacción. Si no es posible, se recomienda la utilización de empuñaduras laterales para herramientas de caja recta y herramientas con empuñadura de pistola; se recomienda utilizar barras de reacción para aprietatuercas de ángulo.** Se recomienda el uso de un método de absorción del par de reacción superior a 4 Nm (3 lbf.ft) para herramientas de caja recta, superior a 10 Nm (7,5 lbf.ft) para herramientas con empuñadura de pistola y superior a 60 Nm (44 lbf.ft) para aprietatuercas de ángulo.
- **Las sujeciones apretadas a un par excesivo o insuficiente pueden causar lesiones graves.** Los montajes que precisen un par específico deben comprobarse utilizando un medidor de par. Las llaves dinamométricas llamadas de “clic” no comprueban las condiciones de sobrepar potencialmente peligrosas. Las sujeciones apretadas a un par excesivo o insuficiente se pueden romper, aflojar o separar. Los montajes que se suelten disparados pueden convertirse en proyectiles.
- **Utilice únicamente llaves eléctricas o de impacto que estén en buen estado.** No utilice llaves manuales.
- **Cuando se utiliza una herramienta motorizada, el operario puede experimentar molestias en las manos, brazos, hombros, cuellos u otras partes del cuerpo.** Alterne entre posturas adecuadas durante el día de trabajo, mantenga una posición firme y evite posturas extrañas o desequilibradas.
- **Movimientos continuos, posiciones incorrectas y exposición a la vibración pueden dañar las manos y brazos.** Si siente adormecimiento, cosquilleo, dolor o palidez en la piel, deje de usar la herramienta y consulte a un médico.
- **Tenga cuidado cuando realice operaciones en espacios confinados.** Tenga cuidado de sufrir un aplastamiento de las manos entre la máquina y la pieza.
- **Un nivel alto de ruido puede causar pérdida auditiva permanente.** Utilice protectores para los oídos tal como lo recomiende su empleador o de acuerdo a los reglamentos de higiene y seguridad laboral.
- **Asegúrese de que la pieza de trabajo esté bien sujeta.**
- **Trabaje con cuidado en lugares desconocidos.** Tenga en cuenta los peligros potenciales creados por su actividad de trabajo. Esta herramienta no está aislada para el contacto con fuentes de alimentación eléctrica.

Herramientas utilizadas junto con una barra de reacción:

No poner nunca la mano sobre la barra de reacción ni cerca de ella mientras se esté usando la herramienta. Tenga presente la dirección de rotación del eje antes de arrancar la herramienta, porque la fuerza de reacción puede producirse en una dirección inesperada con el riesgo de sufrir lesiones por aplastamiento.

Herramientas con embrague: No utilice el producto sin asegurarse de que el embrague se haya soltado. Comprobar el correcto funcionamiento inmediatamente después de ajustar el embrague.

⚠️ ADVERTENCIA Riesgo de lesiones

Asegúrese de utilizar el archivo de parámetro correcto. Un archivo de parámetro erróneo puede causar un par demasiado alto resultante en lesión física.

- ▶ Compare el par máximo mostrado en el controlador con el par máximo indicado en los datos técnicos de la herramienta, deben ser iguales.

Instrucciones generales

La herramienta solo se debe usar con la barra de reacción de par correspondiente, adaptada para usarla con la junta atornillada en cuestión.

⚠️ ADVERTENCIA Riesgo de aplastamiento



Antes de comenzar a trabajar, compruebe la dirección de giro de la herramienta. Si se desconoce la dirección de giro pueden provocarse lesiones personales o daños materiales. Las partes móviles pueden aplastar y cortar.

- ▶ Asegúrese de que la dirección de giro de la herramienta es correcta antes de ponerla en funcionamiento.
- ▶ Mantenga las manos y los dedos alejados de las piezas móviles.

Utilización de la herramienta

1. Monte la barra de reacción siguiendo las instrucciones de seguridad descritas en este documento.
2. Equipe la barra con una boca adecuada siguiendo las instrucciones de seguridad descritas en este documento.
3. Configure el modo correcto utilizando los botones de ajustes (4) y pantalla (3).
4. Seleccione el sentido adecuado utilizando el botón de marcha inversa (6).
5. Coloque la herramienta y el brazo de reacción (7) siguiendo las instrucciones de seguridad descritas en este documento.
6. Mantenga pulsado el segundo gatillo (1).
7. Mantenga pulsado el gatillo principal (2).
8. Mantenga pulsados los gatillos (1 y 2) hasta el final de la operación.
9. Compruebe el estado del funcionamiento en los LED informativos (5). Verde (OK), Rojo (NOK)

Batería

Los bloques de baterías que no se han utilizado durante algún tiempo deben recargarse antes de su uso. Las temperaturas superiores a 50°C (122°F) reducen el

rendimiento del bloque de baterías. Evitar una exposición prolongada a calor o sol (riesgo de sobrecalentamiento). Mantener limpios los puntos de contacto de los cargadores y de los bloques de baterías.

Para una duración óptima, los bloques de baterías deben cargarse al máximo después de su uso. Para aumentar al máximo la vida de la batería, extraer el bloque de baterías del cargador cuando se haya cargado por completo.

La batería cuenta con una protección frente a sobrecargas que la protege en caso de sobrecarga y ayuda a garantizar una vida útil prolongada. La electrónica de la batería desactiva el producto automáticamente en caso de que se produzca una situación de tensión extrema. Para reiniciarlo, desactive producto y vuelva a activarlo. Si el producto no vuelve a iniciarse, es posible que la batería esté completamente descargada. En este caso, debe recargarla con el cargador de la batería.

Instrucciones de mantenimiento

- **Siga los reglamentos nacionales en materia de medio ambiente para manipular y desechar de forma segura todos los componentes.**
- Las labores de mantenimiento y reparación deberán ser realizadas por personal cualificado utilizando únicamente recambios originales. Póngase en contacto con el fabricante o con su concesionario autorizado más cercano para obtener asesoramiento sobre servicio técnico o si necesita recambios.
- Asegúrese de que la máquina esté desconectada de la fuente de energía para evitar una puesta en marcha accidental.
- Desmonte y revise la herramienta cada tres (3) meses si esta se utiliza a diario. Sustituya las piezas dañadas o desgastadas.
- No deje en ningún momento que líquidos, gasolina, productos a base de petróleo, aceites penetrantes, etc. entren en contacto con piezas de plástico. Los productos químicos pueden dañar, debilitar o destruir el plástico y eso podría provocar graves lesiones personales.
- Evite el uso de disolventes para limpiar las piezas de plástico. La mayoría de los plásticos son susceptibles a daños provocados por diversos tipos de solventes comerciales y pueden resultar dañados por su uso. Use trapos limpios para eliminar suciedad, polvo, aceite, grasa, etc.

Eliminación

- La eliminación de este equipo debe cumplir la normativa del país respectivo.
- **SE DEBE RETIRAR DEL SERVICIO** cualquier dispositivo dañado, excesivamente desgastado o que presente un funcionamiento incorrecto.







Señales y etiquetas

El producto está equipado con signos y adhesivos que contienen información importante sobre seguridad personal y mantenimiento del producto. Los signos y los adhesivos deben ser fácilmente legibles en todo momento. Pueden solicitarse signos y adhesivos nuevos utilizando la lista de repuestos.



5011050

Símbolos

	Extraer la batería antes de realizar trabajos en la máquina.
	Leer detenidamente las instrucciones antes de poner en marcha la máquina.
	No eliminar las herramientas eléctricas como residuos domésticos. Las herramientas eléctricas y equipos electrónicos que han alcanzado el final de su vida deben recogerse por separado y deben enviarse a instalaciones de reciclaje adecuadas. Consulte con las autoridades locales o minoristas consejos para reciclar y los puntos de recogida.
	Llevar siempre gafas al utilizar la máquina.
n_0	Sin velocidad de carga.
V	Voltios
min^{-1}	por minuto
	Corriente continua
	¡PRECAUCIÓN! ¡ADVERTENCIA! ¡PELIGRO!

Información de utilidad

Sitio de Internet

Puede encontrar información relacionada con nuestros productos, accesorios, piezas de repuesto y material impreso en el sitio web Chicago Pneumatic.

Visite: www.cp.com.

País de origen

HUNGARY

Ficha de seguridad

Las fichas de seguridad describen los productos químicos vendidos por Chicago Pneumatic.

Consulte el sitio web Chicago Pneumatic para más información qr.cp.com/sds.

Copyright

© Copyright 2022, CHICAGO PNEUMATIC Tool Co.LLC, 1815 Clubhouse Road, Rock Hill, SC 29730 - USA

Todos los derechos reservados. Queda prohibido el uso autorizado o la copia total o parcial del presente contenido. En particular, esta prohibición se aplica a las marcas comerciales, las denominaciones de los modelos, los números de referencia y los gráficos. Utilice sólo piezas autorizadas. Los daños o averías causados por el uso de piezas no homologadas no serán cubiertos por la Garantía o la Responsabilidad civil del producto.

Dados técnicos

Descrição do produto

Consulte a ilustração 2: Descrição do produto

- 1 Gatilho auxiliar
- 2 Gatilho principal
- 3 Tela de exibição
- 4 Botões de configurações
- 5 LEDs de Relatório
- 6 Botão de reversão
- 7 Barra de reação tipo S (entregues com a ferramenta)

Declarações

DECLARAÇÃO DE CONFORMIDADE DA UNIÃO EUROPEIA

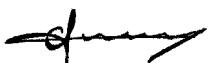
Nós da, **CHICAGO PNEUMATIC Tool Co.LLC**, 1815 Clubhouse Road, Rock Hill, SC 29730 - USA, declaramos, sob nossa exclusiva responsabilidade, que este produto (com nome, tipo e número de série; ver primeira página) está em conformidade com a(s) seguinte(s) Diretiva(s): 2006/42/EC; 2011/65/UE; 2014/53/UE

Normas harmonizadas aplicadas: EN 62841-2-2:2014 + AC1:2015; EN 55014-1:2017+11:2020; EN 55014-2:2015; EN 61000-6-2:2019; EN 61000-6-3:2007 + A1:2011; EN 300328V222; EN 301489-17V324; EN 301489-1V223; EN 62311:2008; EN 62479:2010

As autoridades podem solicitar informações técnicas pertinentes de:
Pascal Roussy, R&D Manager, Ets Georges Renault, 38 rue Bobby Sands, BP10273 44818 Saint Herblain, France
Saint-Herblain, 2022/01/26

Pascal ROUSSY

Assinatura do emissor



Declaração sobre Ruído & Vibração

- Nível de pressão sonora < 72 dB(A) , incerteza 3 dB(A), de acordo com EN 62841-2-2:2015.
- Nível de pressão sonora < 83 dB(A) , incerteza 3 dB(A), de acordo com EN 62841-2-2:2015.
- Valor total da vibração < 2.5 m/s², incerteza 3 m/s², de acordo com a EN 62841-2-2:2015.

Estes valores declarados foram obtidos através de testes efectuados em laboratório, de acordo com os padrões indicados e adequam-se à comparação com valores declarados resultantes de outras ferramentas testadas de acordo com os mesmos padrões. Estes valores declarados não se adequam para utilização em avaliações de risco, sendo que os valores medidos em locais de trabalho possam ser superiores. A valores actuais de exposição e o risco de danos que podem ocorrer num utilizador individual são únicos e dependem da forma

como o utilizador trabalha, da peça de trabalho e do design do local de trabalho, assim como do tempo de exposição e da condição física do utilizador.

Nós, **CHICAGO PNEUMATIC Tool Co.LLC**, não somos responsáveis pelas consequências do uso do valores declarados, ao invés de valores refletindo a exposição real, em uma avaliação de risco individual, em um situação de trabalho sobre a qual não temos controle.

Esta ferramenta pode causar síndrome de vibração na mão e no braço se seu uso não for administrado corretamente. Um guia da UE para gerenciar a vibração da mão e do braço pode ser encontrado acessando-se <http://www.pneurop.eu/index.php> e selecionando-se "Ferramentas" e, em seguida, "Legislação".

Recomendamos um programa de vigilância médica para detectar atempadamente sintomas, que possam estar relacionados com a exposição à vibração, para que os procedimentos de manuseamento possam ser modificados, por forma a ajudar a evitar prejuízos futuros.

- ⓘ Este equipamento é destinado para aplicações fixas. A emissão de ruídos é dado como um guia para a construtor da máquina. Dados sobre emissão de vibração e ruído da máquina completa devem ser indicados no Manual de instruções da máquina.

Especificações da comunicação sem fio

BLUETOOTH LOW ENERGY 4.2®

Frequência: 2.400 MHz - 2.483,5 MHz

EIRP: < 10 dBm

A marca nominativa e as logotipos Bluetooth® são marcas comerciais registradas de propriedade da Bluetooth SIG, Inc

Requisitos regionais

⚠ AVISO

Este produto pode expor você a produtos químicos, entre eles o chumbo, conhecido no Estado da Califórnia por causar câncer e defeitos em recém-nascidos, além de outros danos à reprodução. Para mais informações, visite <https://www.p65warnings.ca.gov/>

Segurança

NÃO DESCARTE - ENTREGUE AO USUÁRIO

⚠ AVISO Leia todos os avisos de segurança, instruções, ilustrações e especificações fornecidas com o produto.

O não cumprimento de todas as instruções apresentadas abaixo poderá resultar em choque elétrico, incêndio, danos à propriedade e/ou lesões graves.

Guarde todos os alertas e instruções para referência futura.

⚠ AVISO Todas as normas de segurança localmente legisladas relativas a instalação, operação e manutenção devem ser sempre respeitadas.

Declaração de Uso

- Apenas para uso profissional.
- Este produto e seus acessórios não devem ser modificados em qualquer circunstância.
- Não utilize o produto se estiver danificado.
- Se os dados do produto ou as sinalizações de perigo na ferramenta deixarem de ser legíveis ou se soltarem, substitua o produto sem demora.
- Somente uma pessoa qualificada em ambiente de montagem industrial pode instalar, operar ou dar manutenção de rotina no produto.

Finalidade

Este produto se destina exclusivamente ao uso por adultos que tenham lido e compreendido as instruções e avisos neste manual e que possam ser considerados responsáveis por suas ações.

- Este produto foi projetado para instalar e remover fixadores de rosca em madeira, metal ou plástico.
- Apenas para uso interno.
- Não utilize o produto para qualquer outra finalidade que não a descrita acima.
- Não é permitido nenhum outro tipo de uso.

Baterias Recomendadas

8940176068: CP36XP25

Carregador recomendado

8940176069: CP18-36CH

Barra de Reação Recomendada

Use a barra de reação (7) entregue com a ferramenta. Para outros modelos, consulte o documento da barra de reação, ref. 6159923710

Alertas de segurança para ferramentas elétricas em geral

⚠ AVISO Leia todos os avisos de segurança, instruções, ilustrações e especificações fornecidas com o produto.

O não cumprimento de todas as instruções apresentadas abaixo poderá resultar em choque elétrico, incêndio, danos à propriedade e/ou lesões graves.

Guarde todos os alertas e instruções para referência futura.

Nos avisos, o termo "ferramenta elétrica" se refere à ferramenta elétrica conectada à linha de alimentação (com cabo) ou à bateria (sem cabo).

Segurança na área de trabalho

- **Mantenha a área de trabalho limpa e bem iluminada.** Áreas desorganizadas ou escuras provocam acidentes.
- **Não opere ferramentas elétricas em ambientes explosivos, como na presença de líquidos, gases ou poeira inflamáveis.** Ferramentas elétricas geram faíscas que podem incendiar a poeira ou vapores.

- **Mantenha crianças e espectadores à distância ao operar uma ferramenta elétrica.** Distrações podem fazer com que você perca o controle da ferramenta.

Segurança elétrica

- **Os plugues das ferramentas elétricas têm que ser do mesmo tipo que a tomada. Nunca faça qualquer alteração no plugue. Não use adaptadores em ferramentas elétricas aterradas.** Plugues não modificados e compatíveis com a tomada reduzem o risco de choque elétrico.
- **Evite o contato corporal com superfícies ligadas à terra como tubos, radiadores, fogões de cozinha e refrigeradores.** O risco de choque elétrico aumenta quando o seu corpo está aterrado.
- **Não exponha ferramentas elétricas à chuva ou umidade.** A água que penetrar aumentará o risco de choque elétrico.
- **Não exceda no uso do cabo. Nunca carregue puxe ou desconecte a ferramenta puxando pelo cabo. Mantenha o cabo longe de calor, óleo, bordas afiadas ou peças em movimento.** Um cabo danificado ou torcido aumenta o risco de choque elétrico.
- **Quando estiver operando uma ferramenta elétrica ao ar livre, use uma extensão adequada para uso externo.** O uso de uma extensão adequada para atividades ao ar livre reduz o risco de choque elétrico.
- **Se for inevitável operar uma ferramenta elétrica em local úmido, use um dispositivo de corrente residual (RCD) com fornecimento de proteção.** O uso de um RCD reduz o risco de choque elétrico.

Segurança pessoal

- **Mantenha-se alerta, observe o que estiver fazendo e use o bom senso ao operar uma ferramenta elétrica. Não use uma ferramenta elétrica quando estiver cansado ou sob a influência de drogas, álcool ou medicamentos.** Um lapso momentâneo de concentração ao operar uma ferramenta elétrica pode resultar em acidentes graves.
- **Use equipamentos de proteção individual. Sempre use proteção para os olhos.** Equipamentos de proteção como máscara contra poeira, calçados antiderrapantes, capacetes ou protetores de ouvidos usados de maneira apropriada, reduzem os ferimentos pessoais.
- **Evite o acionamento não intencional. Certifique-se de que o interruptor esteja na posição de desligado antes de conectar a ferramenta à fonte de alimentação e/ou a uma bateria, de levá-la ou carregá-la.** Carregar ferramentas elétricas com o dedo no interruptor ou conectá-las à tomada com o interruptor ligado facilita a ocorrência de acidentes.
- **Remova qualquer chave de ajuste ou de pressão antes de ligar a ferramenta elétrica.** Um instrumento ou uma chave deixados presos a uma parte giratória da ferramenta podem resultar em ferimentos.
- **Não se incline além do seu alcance. Mantenha os pés em posição correta e o equilíbrio em todos os momentos.** Isso permite um melhor controle da ferramenta em situações inesperadas.

- **Vista-se apropriadamente. Não use roupas soltas ou joias. Mantenha seus cabelos e roupas longe de peças em movimento.** Roupas soltas, joias ou cabelos longos podem ficar presos nas peças em movimento.
- **Se os dispositivos forem ministrados permitirem a conexão de utensílios que extraem e coletam poeira, assegure-se de que estejam bem conectados e sejam usados apropriadamente.** O uso de coletores de pó pode reduzir os perigos relacionados com o pó.
- **Não deixe que a familiaridade obtida com o uso frequente das ferramentas faça com que se sinta acomodado e ignore os princípios de segurança.** Uma ação descuidada pode causar ferimentos graves em uma fração de segundos.
- **Segure a ferramenta elétrica somente pelas superfícies de manuseamento isoladas, quando executar uma operação onde a ferramenta possa entrar em contato com a fiação oculta.** Os dispositivos de fixação que entrem em contato com um cabo "energizado" podem ter as partes metálicas expostas da ferramenta elétrica "energizadas", podendo provocar um choque elétrico ao operador.

Utilização e manutenção da ferramenta elétrica

- **Não force a ferramenta. Use a ferramenta elétrica correta para sua finalidade.** A ferramenta elétrica correta irá realizar o trabalho de maneira melhor e mais segura, na medida para a qual foi projetada.
- **Não use a ferramenta elétrica se o interruptor não funcionar.** Qualquer ferramenta elétrica que não possa ser controlada pelo interruptor é perigosa e precisa ser consertada.
- **Desconecte o plugue da fonte de alimentação e/ou a bateria, se puder ser removida, da ferramenta elétrica antes de fazer quaisquer ajustes, trocar acessórios ou guardar ferramentas elétricas..** Tais medidas preventivas reduzem o risco de ligar a ferramenta acidentalmente.
- **Guarde ferramentas fora de uso longe do alcance de crianças e não permita que sejam operadas por pessoas não familiarizadas com o equipamento ou com estas instruções.** Ferramentas elétricas são perigosas nas mãos de usuários não treinados.
- **Manutenção de ferramentas elétricas e acessórios. Verifique se há desalinhamento ou emperramento de peças móveis, peças quebradas ou qualquer outra condição que possa afetar a operação da ferramenta elétrica. Se estiver danificada, conserte-a antes de usá-la.** Muitos acidentes são causados por ferramentas elétricas mal cuidadas.
- **Mantenha as ferramentas cortantes afiadas e limpas.** Ferramentas de bordas afiadas com manutenção adequada têm menos chance de ficarem presas e são mais fáceis de controlar.
- **Use a ferramenta elétrica, os acessórios e outras peças de acordo com estas instruções, levando em consideração as condições de trabalho e a tarefa a ser realizada.** Usar a ferramenta elétrica para operações diferentes daquelas para as quais foi planejada pode resultar em uma situação perigosa.

- **Mantenha cabos e superfícies de fixação secos, limpos e livres de óleo e graxa.** Cabos e superfícies de fixação escorregadios não permitem o manuseio e controle seguro da ferramenta em situações inesperadas.

Utilização e manutenção da bateria da ferramenta

- **Recarregue apenas com o carregador especificado pelo fabricante.** Um carregador que seja adequado a um tipo de bateria pode provocar incêndio se utilizado em outro tipo de bateria.
- **Utilize ferramentas elétricas apenas com as baterias especificamente indicadas.** A utilização de quaisquer outras baterias pode provocar lesões ou incêndios.
- **Quando a bateria não estiver em uso, mantenha-a afastada de objetos metálicos, como cliques de papel, moedas, chaves, pregos, parafusos ou outros, que podem provocar a ligação de um terminal ao outro.** Um curto-circuito nos terminais da bateria poderá provocar queimaduras ou incêndio.
- **Em situações de utilização excessiva, um líquido poderá ser ejetado da bateria; evite o contato. Se isso acontecer por acidente, lave com água. Se o líquido entrar em contato com o olhos, consulte um médico.** O líquido da bateria pode provocar irritações ou queimaduras.
- **Não use uma bateria ou ferramenta que esteja danificada ou tenha sido modificada.** Baterias danificadas ou modificadas podem apresentar um comportamento imprevisto, resultando em incêndio, explosão ou risco de acidente.
- **Não exponha a bateria ou ferramenta ao fogo ou a temperatura excessiva.** A exposição a fogo ou temperatura superior a 130 °C pode causar explosão.
- **Siga todas as instruções de carregamento e não carregue a bateria ou ferramenta fora da faixa de temperatura especificada nas instruções.** O carregamento inadequado ou em temperatura fora da faixa especificada pode danificar a bateria e aumentar o risco de incêndio.

Assistência

- **Faça a manutenção da ferramenta elétrica com uma pessoa qualificada e que utilize apenas peças de reposição idênticas.** Isso irá garantir a segurança da ferramenta.
- **Nunca faça manutenção em um conjunto de baterias danificado.** A manutenção de conjuntos de baterias deve ser realizada apenas pelo fabricante ou fornecedores de serviço autorizado.

Instruções específicas do produto

Aviso!

Para reduzir o risco de incêndio, lesões corporais e danos ao produto devido a um curto-circuito, nunca mergulhe sua ferramenta, bateria ou carregador em fluido ou permita que um fluido entre neles. Fluidos corrosivos ou condutores, tais como a água do mar, certos produtos químicos industriais, água sanitária ou produtos que contenham cloro, etc., podem causar um curto-circuito.

Precauções especiais

- A máquina pode apenas ser utilizada em conjunto com a barra de reação ao aperto associada que está adaptada à aplicação da junta de parafuso relacionada.
- Utilizar o acionador de ação dupla para reduzir o risco de prender os dedos ou as mãos entre a barra de reação e a peça de trabalho.

Segurança Geral na Instalação

A instalação deverá ser apenas realizada por pessoal qualificado.

Se necessário, pendure a ferramenta com segurança, por exemplo, utilizando um balancim. Quando usar um olhal de suspensão, verifique se ele está em boas condições e corretamente apertado.

Conecte sempre o sistema a uma tomada aterrada. Certifique-se sempre de que o plugue principal está desconectado e o controlador está desligado antes de conectar ou desconectar o cabo da ferramenta.

Precauções Especiais

AVISO Risco de esmagamento

O Gatilho duplo obriga o usuário a usar ambas as mãos para operar a ferramenta. Se não for usado, o operador poderá ligar acidentalmente a ferramenta enquanto ajusta a barra de reação, resultando em ferimentos graves nas mãos.

- ▶ A ferramenta não deve poder partir depois do Gatilho duplo ser liberado.
- ▶ Deve-se sempre testar a ferramenta liberando primeiro o gatilho do Gatilho duplo e depois apertando o gatilho da ferramenta. Se a ferramenta partir, interrompa os trabalhos.

Segurança Geral na Operação

- **Em virtude do risco de enganchamento, não use luvas de proteção.**
- **Esteja preparado para a força de reação desenvolvida quando se usa a ferramenta.** Segure a empunhadura da ferramenta sempre com firmeza, no sentido oposto à rotação do eixo, a fim de reduzir o efeito da reação de torque súbito durante o aperto final ou o desaperto inicial.
- **Nunca segure o adaptador, soquete ou extensão do adaptador.**
- **Os usuários e técnicos de manutenção devem ser fisicamente capazes de lidar com o volume, peso e potência da ferramenta.**
- **Se possível, utilize um braço de suspensão para absorver o torque de reação. Se não for possível, são recomendados punhos laterais para ferramentas de base reta e do tipo pistola; barras de reação para apertadeiras angulares.** Recomenda-se usar meios para absorver o torque de reação superior a 4 Nm (3 lbf.ft) para ferramentas retas, superior a 10 Nm (7,5 lbf.ft) para ferramentas tipo pistola e superior a 60 Nm (44 lbf.ft) para apertadeiras angulares.

- **Podem ser causadas lesões graves em decorrência de fixadores excessivamente ou pouco apertados.** Use um torquímetro para conferir as montagens que exijam torque específico. Os chamados torquímetros de “estalo” não verificam condições de torque excessivo potencialmente perigosas. Fixadores excessivamente ou pouco apertados podem sofrer quebra, desaperto ou separação. Conjuntos soltos podem se tornar fragmentos e serem projetados.
- **Use apenas soquetes de força ou impacto em boas condições.** Não utilize encaixes de mão.
- **Ao usar uma ferramenta elétrica, o operador pode sentir desconforto nas mãos, braços, ombros, pescoço ou outras partes do corpo.** Procure variar em posturas adequadas ao longo do dia de trabalho, mantenha-se em pé de maneira segura e evite posturas desconfortáveis ou desequilibradas.
- **Movimentos repetitivos no trabalho, posições forçadas e exposição a vibrações podem ser nocivos para as mãos e os braços.** Se perceber dormência, formigamento, dor ou lividez da pele, pare de usar a ferramenta e consulte um médico.
- **Fique atento ao operar a ferramenta em espaços confinados.** Cuidado para não esmagar as mãos entre a ferramenta e a peça de trabalho.
- **Níveis sonoros muito altos podem causar perda auditiva permanente.** Use a proteção auditiva recomendada pelo seu empregador e de acordo com os regulamentos de saúde e segurança ocupacional.
- **A peça a ser trabalhada deve estar fixada de forma segura.**
- **Proceda com cuidado em ambientes desconhecidos.** Conheça os perigos potenciais criados pela sua atividade de trabalho. Esta ferramenta não é protegida contra o contato com fontes de eletricidade.

Ferramentas usadas com barra de reação: Nunca ponha a mão próximo à barra de reação enquanto a ferramenta estiver em uso. Fique atento ao sentido de rotação do eixo antes de dar partida à ferramenta. A força de reação em uma sentido inesperado pode acarretar lesões por esmagamento.

Ferramentas com embreagem: Nunca use o produto sem antes certificar-se da liberação da engrenagem. Imediatamente após ajustar a embreagem, verifique se a operação está correta.

AVISO Risco de ferimentos

Deve-se usar o arquivo de parâmetros correto. Um arquivo de parâmetros errado pode causar torques bastante altos e resultar em lesões corporais.

- ▶ Compare o torque máximo mostrado no controlador com o torque máximo definido nos dados técnicos da ferramenta. Eles devem coincidir.

Instruções Gerais

A ferramenta pode apenas ser utilizada em conjunto com a barra de reação para controle de torque associada, que está adaptada à aplicação da junta aparafusada relacionada.

⚠ AVISO Risco de Esmagamento



Inspecione a direção de rotação da ferramenta antes de começar! Ligar a ferramenta em uma direção de rotação inesperada pode provocar acidentes ou danos materiais. Partes móveis podem causar prensamento e cortes.

- ▶ Antes de ligar a ferramenta, confirme se o sentido de rotação está correto.
- ▶ Mantenha as mãos e cabelos afastados de peças em movimento.

Operando a ferramenta

1. Monte a barra de reação seguindo as instruções descritas neste documento.
2. Encaixe um soquete adequado na ferramenta seguindo as instruções de segurança descritas neste documento.
3. Defina o modo correto usando os botões de configuração (4) e a tela de exibição (3).
4. Escolha o sentido correto usando o botão de reversão (6).
5. Posicione a ferramenta e o braço de reação (7) seguindo as instruções de segurança descritas neste documento.
6. Pressione e mantenha pressionado o gatilho auxiliar (1).
7. Pressione e mantenha pressionado o gatilho principal (2).
8. Mantenha os gatilhos pressionados (1 e 2) até o final da operação.
9. Verifique o status da operação nos LEDs de relatório (5). Verde (Ok); Vermelho (NOK)

Bateria

Conjuntos de baterias que não tenham sido utilizados por algum tempo devem ser recarregados antes de usar.

Temperaturas acima de 50°C (122°F) reduzem o desempenho da bateria. Evite a exposição prolongada ao calor ou luz do sol (risco de superaquecimento).

Os contatos dos carregadores e conjuntos de baterias devem ser mantidos limpos.

Para otimizar a vida útil, os conjuntos de baterias devem ser totalmente carregados, depois de utilizados. Para obter a maior duração possível da bateria, remova a bateria do carregador assim que estiver totalmente carregada.

A bateria tem proteção de sobrecarga que a protege de ser sobrecarregada e ajuda a garantir uma vida útil longa. Sob extremo estresse a eletrônica da bateria desliga automaticamente o produto. Para reiniciar, desligue o produto e ligue-o novamente. Se o produto não ligar novamente, a bateria pode ter descarregado completamente. Neste caso, ela deve ser recarregada no carregador de bateria.

Instruções de manutenção

- Siga as regulamentações ambientais locais do país sobre o manuseio e descarte de todos os componentes.
- O trabalho de manutenção e reparos deve ser realizado por pessoal qualificado e utilizar apenas peças de reposição originais. Solicite orientações à assistência técnica ou peças de reposição ao fabricante ou ao revendedor autorizado mais próximo.
- A máquina deve sempre estar desconectada da fonte de energia para evitar que funcione acidentalmente.
- Desmonte e inspecione a ferramenta a cada três 3 meses se a ferramenta for usada todos os dias. Substitua peças danificadas ou desgastadas.
- Não deixe nunca que fluidos de freio, gasolina, produtos à base de petróleo, óleos penetrantes, etc., entrem em contato com peças de plástico. Produtos químicos podem danificar, enfraquecer ou destruir o plástico, o que pode resultar em ferimentos graves.
- Evite a utilização de solventes quando limpar peças de plástico. A maioria dos plásticos são suscetíveis a danos por vários tipos de solventes comerciais e podem ser danificados por sua utilização. Use panos limpos para remover sujeira, poeira, óleo, graxa, etc.

Descarte

- O descarte deste equipamento deve seguir a legislação do país correspondente.
- Todos os dispositivos danificados, utilizados inadequadamente ou funcionando de maneira incorreta **DEVEM SER RETIRADOS DE OPERAÇÃO.**

Sinalizações e Adesivos

O produto está equipado com sinais e autocolantes contendo informações importantes sobre segurança pessoal e manutenção do produto. Os sinais e autocolantes devem ser sempre fáceis de ler. Novos sinais e autocolantes podem ser encomendados utilizando a lista de peças sobressalentes.



s011050

Símbolos



Remova o conjunto de bateria antes de iniciar qualquer trabalho na máquina.





Leia as instruções cuidadosamente antes de ligar a máquina.



Não descarte ferramentas elétricas juntamente com o lixo doméstico. Ferramentas elétricas e equipamento eletrônico que tenham atingido o fim da sua vida útil devem ser recolhidos separadamente e devolvidos a uma unidade de reciclagem compatível. Verifique com sua autoridade local ou revendedor quanto a reciclagem e coleta seletiva.



Sempre use óculos de segurança ao utilizar a máquina.

n_0	Velocidade do motor sem carga.
V	Volts
min^{-1}	por minuto
	por minuto
	CUIDADO! AVISO! PERIGO!

Informações úteis

Website

Informações referentes a nossos Produtos, Acessórios, Peças de Reposição e Materiais Publicados podem ser encontrados no site da Chicago Pneumatic .

Visite: www.cp.com.

País de origem

HUNGARY

Folha de Dados de Segurança

As Fichas de Informação de Segurança de Produto Químico descrevem os produtos químicos produzidos pela Chicago Pneumatic.

Consulte o site da Chicago Pneumatic para obter mais informações qr.cp.com/sds.

Copyright

© Copyright 2022, CHICAGO PNEUMATIC Tool Co.LLC, 1815 Clubhouse Road, Rock Hill, SC 29730 - USA

Todos os direitos reservados. É proibido o uso ou cópia do conteúdo ou parte dele sem autorização. Isso se aplica em particular a marcas registradas, denominações de modelo, números de peça e desenhos. Use somente peças autorizadas. Qualquer dano ou defeito causado pelo uso de peças não autorizadas não é coberto pela Garantia ou pela Responsabilidade pelo Produto.

Dati tecnici

Descrizione del prodotto

si prega di fare riferimento all'illustrazione 2: Descrizione del prodotto

- 1 Secondo innesco
- 2 Principio del grilletto
- 3 Schermo
- 4 Pulsante delle impostazioni
- 5 LED di segnalazione
- 6 Pulsante di inversione del senso di rotazione
- 7 Barra di reazione di tipo S (fornita con l'utensile)

Dichiarazioni

DICHIARAZIONE DI CONFORMITÀ UE

CHICAGO PNEUMATIC Tool Co.LLC, 1815 Clubhouse Road, Rock Hill, SC 29730 - USA, dichiara, sotto la propria esclusiva responsabilità, che il prodotto (del tipo e con il numero di serie riportati nella pagina a fronte) è conforme alle seguenti direttive:

2006/42/EC; 2011/65/UE; 2014/53/UE

Norme armonizzate applicate:EN 62841-2-2:2014 + AC1:2015; EN 55014-1:2017+11:2020; EN 55014-2:2015; EN 61000-6-2:2019; EN 61000-6-3:2007 + A1:2011; EN 300328V222; EN 301489-17V324; EN 301489-1V223; EN 62311:2008; EN 62479:2010

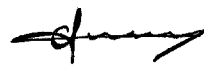
Le autorità possono richiedere informazioni tecniche pertinenti a:

Pascal Roussy, R&D Manager, Ets Georges Renault, 38 rue Bobby Sands, BP10273 44818 Saint Herblain, France

Saint-Herblain, 2022/01/26

Pascal ROUSSY

Firma del dichiarante



Dichiarazione su vibrazioni e rumorosità

- Livello di pressione sonora < 72 dB(A) , incertezza 3 dB(A), secondo EN 62841-2-2:2015.
- Livello di pressione sonora < 83 dB(A) , incertezza 3 dB(A), secondo EN 62841-2-2:2015.
- Valore totale vibrazioni < 2.5m/s², incertezza 3 m/s², secondo EN 62841-2-2:2015.

I valori qui dichiarati sono stati ottenuti mediante test eseguiti in laboratorio conformemente alla direttiva o agli standard indicati e sono idonei al raffronto con i valori dichiarati di altri utensili testati in conformità alla medesima direttiva o standard. I valori qui dichiarati non sono adeguati a un utilizzo per la valutazione del rischio e i valori misurati nei singoli luoghi di lavoro potrebbero essere più elevati. I valori di esposizione effettivi e il rischio di lesioni per ogni singolo operatore sono unici e dipendono dal modo in cui lavora l'operatore, dal pezzo e dalla struttura della stazione di lavoro, nonché dai tempi di esposizione e dalle condizioni fisiche dell'operatore.

CHICAGO PNEUMATIC Tool Co.LLC non può essere ritenuta responsabile per le conseguenze derivanti dall'utilizzo dei valori dichiarati, invece di valori che riflettono l'esposizione effettiva, in una valutazione del rischio individuale in una situazione lavorativa sulla quale Desoutter non ha alcun controllo.

Se non è gestito correttamente, l'utilizzo del presente utensile può causare la sindrome da vibrazioni mano-braccio. Per consultare una guida UE sulle vibrazioni trasmesse a mani/braccia, accedere al sito <http://www.pneurop.eu/index.php> e selezionare 'Strumenti' quindi 'Normative'.

Si raccomanda l'adozione di un programma di controllo sanitario finalizzato a individuare i primi sintomi di un'eventuale esposizione alle vibrazioni, affinché sia possibile modificare le procedure di gestione e aiutare a prevenire disabilità significative.

- i** Se questa apparecchiatura è destinata ad applicazioni di fissaggio:
Le emissioni acustiche sono riportate in qualità di guida per il costruttore. I dati sulle emissioni acustiche e vibrazioni per la macchina completa devono essere riportati nel manuale di istruzioni per la macchina.

Specifiche di comunicazione wireless

BLUETOOTH LOW ENERGY 4.2®

Frequenza: 2400 MHz - 2483,5MHz

EIRP: <10 dBm

Il marchio e i loghi Bluetooth® sono marchi registrati di proprietà di Bluetooth SIG, Inc

Requisiti regionali

⚠ ATTENZIONE

Questo prodotto può causare esposizione a sostanze chimiche tra cui il piombo, note allo stato della California come causa di tumori e difetti congeniti o altri problemi riproduttivi. Per maggiori informazioni consultare <https://www.p65warnings.ca.gov/>

Sicurezza

NON SMALTIRE: DA CONSEGNARE ALL'UTENTE

⚠ ATTENZIONE Leggere tutti gli avvisi, le istruzioni di sicurezza, le illustrazioni e le specifiche tecniche di questo utensile.

Il mancato rispetto di tutte le seguenti istruzioni può provocare scosse elettriche, incendi e/o gravi lesioni.

Conservare tutti gli avvisi e le istruzioni per consultarli eventualmente in futuro.

⚠ ATTENZIONE Rispettare sempre le norme ed i regolamenti locali inerenti l'installazione, il funzionamento e la manutenzione.

Dichiarazione sull'utilizzo

- Destinato solo a un utilizzo professionale.
- Questo utensile e i suoi accessori non devono mai essere modificati.
- Non utilizzare questo prodotto se è stato danneggiato.
- Se le targhette indicanti i dati del prodotto o i segnali di pericolo del prodotto diventano illeggibili o si staccano, sostituirli immediatamente.
- Il prodotto deve essere installato, utilizzato e mantenuto solo da personale qualificato e in un ambiente di assemblaggio industriale.

Uso previsto

L'avvitatore a impulso deve essere usato solo da adulti che abbiano letto e compreso le istruzioni e le avvertenze presenti nel manuale e responsabili delle proprie azioni.

- Questo prodotto è stato progettato per installare e rimuovere dispositivi di fissaggio in legno, metallo o plastica.
- Solo per uso al chiuso.
- Non utilizzare l'avvitatore a impulso per scopi diversi da quelli descritti qui sopra.
- Non è consentito nessun altro uso

Batterie indicate

8940176068: CP36XP25

Caricatore raccomandato

8940176069: CP18-36CH

Barra di reazione raccomandata

Utilizzare la barra di reazione (7) fornita con l'utensile. Per altri modelli riferiti alla barra di reazione, fare riferimento al documento 6159923710

Avvisi generali di sicurezza per l'utilizzo di utensili elettrici

⚠ ATTENZIONE Leggere tutti gli avvisi, le istruzioni di sicurezza, le illustrazioni e le specifiche tecniche di questo utensile.

Il mancato rispetto di tutte le seguenti istruzioni può provocare scosse elettriche, incendi e/o gravi lesioni.

Conservare tutti gli avvisi e le istruzioni per consultarli eventualmente in futuro.

Il termine "utensile elettrico" nelle avvertenze si riferisce all'utensile elettrico alimentato tramite presa (con cavo) o tramite batterie (senza cavo).

Sicurezza dell'area di lavoro

- **Mantenere sempre l'area di lavoro pulita e ben illuminata.** Aree sporche o buie possono favorire incidenti.
- **Non azionare gli utensili elettrici in presenza di atmosfera esplosiva oppure di liquidi, gas o polveri infiammabili.** Gli utensili elettrici generano scintille che possono infiammare polveri o vapori.
- **Tenere bambini e altre persone presenti nelle vicinanze a distanza di sicurezza durante l'utilizzo degli utensili elettrici.** Eventuali distrazioni possono provocare la perdita di controllo dell'utensile.

Sicurezza elettrica

- **La spina dell'utensile elettrico deve essere idonea alla presa. Non tentare mai di modificare la spina. Non utilizzare adattatori con utensili elettrici con messa a terra.** L'utilizzo di spine non modificate e di prese idonee riduce il rischio di scosse elettriche.
- **Evitare il contatto fisico con superfici connesse a terra come tubi, radiatori, forni e frigoriferi.** Un corpo messo a terra corre maggiori rischi di scosse elettriche.

- **Non esporre gli utensili elettrici alle intemperie.** Eventuali infiltrazioni d'acqua all'interno degli utensili elettrici può aumentare il rischio di scosse elettriche.
- **Non utilizzare il cavo in modo improprio. Non utilizzare mai il cavo elettrico per trasportare, tirare o scollegare l'utensile elettrico. Tenere il cavo lontano da fonti di calore, olio, spigoli appuntiti o parti mobili.** I cavi danneggiati o aggrovigliati aumentano il rischio di scosse elettriche.
- **Quando si utilizza un utensile elettrico all'esterno, è necessario dotarsi di una prolunga idonea per l'utilizzo all'aperto.** L'utilizzo di un cavo che può essere utilizzato all'aperto riduce il rischio di scosse elettriche.
- **Se l'utensile elettrico deve essere necessariamente utilizzato in un ambiente umido, collegarlo ad un'alimentazione protetta con interruttore differenziale (RCD).** L'utilizzo di un RCD riduce il rischio di scosse elettriche.

Sicurezza personale

- **Fare attenzione a quello che si sta facendo e utilizzare il proprio buon senso durante il funzionamento di un utensile elettrico. Non utilizzare utensili elettrici in caso di affaticamento o sotto l'effetto di farmaci, sostanze alcoliche o stupefacenti.** Un attimo di disattenzione durante l'uso dell'utensile elettrico può provocare gravi lesioni personali.
- **Utilizzare dispositivi di protezione individuale. Indossare sempre un dispositivo per la protezione degli occhi.** I dispositivi di protezione come maschera per la polvere, calzature di sicurezza anti-scivolo, casco protettivo o protezioni acustiche utilizzati quando necessario sono in grado di ridurre il rischio di lesioni personali.
- **Evitare l'accensione involontaria dell'utensile. Assicurarsi che l'interruttore sia in posizione "off" prima di collegare l'utensile all'alimentazione elettrica e/o al pacco batterie, e prima di prelevarlo o trasportarlo.** Il trasporto dell'utensile elettrico tenendo le dita sull'interruttore, o alimentare l'utensile quando l'interruttore è in posizione "on" può favorire il verificarsi di incidenti.
- **Prima di accendere l'utensile, rimuovere le chiavi di regolazione.** Una chiave dimenticata su una parte mobile dell'utensile può provocare lesioni personali.
- **Non sporgersi. Mantenere sempre un equilibrio ottimale.** Ciò permette un controllo migliore dell'utensile elettrico anche in condizioni impreviste.
- **Indossare indumenti adeguati. Non indossare abiti larghi o gioielli. Tenere lontani i capelli e gli indumenti dalle parti in movimento.** Indumenti larghi, gioielli o capelli lunghi possono restare intrappolati nelle parti in movimento.
- **Se sono presenti utensili per il collegamento a dispositivi per l'estrazione e la raccolta della polvere, assicurarsi che essi siano collegati ed utilizzati in maniera idonea.** La raccolta della polvere riduce i rischi connessi alla polvere stessa.
- **Non permettere che la familiarità acquisita dall'utilizzo frequente degli utensili si trasformi in eccessiva disinvoltura ignorando i principi di sicurezza.** Un'azione incauta può causare gravi lesioni nella frazione di un secondo.
- **Impugnare saldamente l'utensile elettrico mediante le superfici di presa isolate quando si esegue un'operazione in cui il dispositivo di fissaggio può entrare in contatto con il cablaggio nascosto.** I dispositivi di fissaggio che entrano in contatto con un filo "in tensione" possono mettere "in tensione" le parti metalliche esposte dell'utensile elettrico e possono provocare scosse elettriche all'operatore.

Utilizzo e cura degli utensili elettrici

- **Non forzare l'utensile elettrico. Utilizzare un utensile elettrico idoneo all'applicazione richiesta.** L'utilizzo di un utensile elettrico idoneo contribuisce a svolgere il lavoro in maniera migliore e più sicura, nella modalità per cui esso è stato progettato.
- **Non utilizzare l'utensile elettrico se l'interruttore non può essere acceso o spento.** Un utensile elettrico che non può essere controllato con l'interruttore è pericoloso e deve essere riparato.
- **Scollegare la spina dall'alimentazione elettrica e/o il pacco batterie dall'utensile elettrico prima di effettuare regolazioni, cambiare accessori o riporre gli utensili elettrici.** Queste misure preventive di sicurezza riducono il rischio di avvio accidentale dell'utensile elettrico.
- **Riporre gli utensili elettrici non utilizzati lontano dalla portata dei bambini e non permettere che essi siano utilizzati da persone che non ne conoscono il funzionamento o che non hanno letto queste istruzioni.** Nelle mani di persone non addestrate, gli utensili elettrici possono essere pericolosi.
- **Manutenzione di utensili elettrici e accessori. Verificare che le parti mobili siano allineate correttamente e che non siano bloccate, controllare che non vi siano parti rotte o altri problemi che potrebbero compromettere il buon funzionamento dell'utensile elettrico. In caso di danni, riparare l'utensile elettrico prima dell'uso.** Molti incidenti sono causati da utensili elettrici sottoposti a manutenzione insufficiente.
- **Gli strumenti di taglio devono essere mantenuti puliti e affilati.** Gli strumenti di taglio con bordi affilati sottoposti a manutenzione adeguata si bloccano con minore facilità e sono più semplici da controllare.
- **Utilizzare l'utensile elettrico, gli accessori e le punte in conformità alle presenti istruzioni, considerando le condizioni di utilizzo e il lavoro da eseguire.** L'utilizzo dell'utensile elettrico in modo non conforme alla tipologia di utilizzo a cui esso è destinato può causare situazioni di rischio.
- **Mantenere asciutte e pulite le impugnature e le superfici di presa, nonché prive di olio e grasso.** Impugnature o superfici di presa scivolose non consentono una manipolazione sicura né il controllo dell'utensile in situazioni impreviste.

Utilizzo e conservazione dell'utensile a batteria

- **Eseguire la ricarica esclusivamente con il caricabatteria specificato dal produttore.** Un caricabatterie idoneo per un determinato tipo di pacco batterie può creare il rischio di incendio se utilizzato con un altro pacco batterie.
- **Utilizzare gli utensili elettrici esclusivamente con i loro pacchi batterie specifici.** L'utilizzo di pacchi batterie diversi può creare il rischio di lesioni e di incendio.
- **Quando non viene utilizzato, tenere lontano il gruppo batterie da altri oggetti metallici come fermagli, monete, chiavi, chiodi, viti o altri piccoli oggetti di metallo che possono provocare il collegamento da un morsetto all'altro.** Mettere in cortocircuito i morsetti della batteria può causare bruciature o incendi.
- **In condizioni di utilizzo non corretto, il liquido può fuoriuscire dalla batteria. Evitare il contatto. Se si verifica il contatto accidentale con il liquido della batteria, risciacquare con acqua. Se il liquido viene in contatto con gli occhi, consultare un medico.** Il liquido fuoriuscito dalla batteria può causare irritazioni o bruciature.
- **Non utilizzare un pacco batterie o un utensile se è danneggiato o modificato.** Batterie danneggiate o modificate possono avere un comportamento imprevedibile, che può causare incendi, esplosioni o rischio di lesioni.
- **Non esporre un pacco batterie o un utensile al fuoco o a temperature eccessive.** L'esposizione al fuoco o a temperature oltre i 130 °C può causare esplosioni.
- **Seguire tutte le istruzioni di caricamento e non caricare il pacco batterie né l'utensile al di fuori dell'intervallo di temperatura specificato nelle istruzioni.** Il caricamento improprio o a temperature al di fuori dell'intervallo specificato può danneggiare la batteria e aumentare il rischio di incendio.

Assistenza

- **La manutenzione dell'utensile elettrico deve essere eseguita da personale qualificato utilizzando esclusivamente ricambi identici.** Questo garantisce il mantenimento della sicurezza dell'utensile elettrico.
- **Non eseguire mai la manutenzione di pacchi batterie danneggiati.** La manutenzione dei pacchi batterie deve essere eseguita solo dal costruttore o da manutentori autorizzati.

Istruzioni specifiche del prodotto

Attenzione!

Per ridurre il rischio di incendi, lesioni personali e danni al prodotto causati da un cortocircuito, non immergere mai l'utensile, la batteria o il caricatore in fluidi ed evitare che i fluidi entrino a contatto con gli stessi. Fluidi corrosivi o conduttori, quale acqua di mare, alcuni agenti chimici industriali e candeggina o prodotti contenenti candeggina ecc. potrebbero causare un cortocircuito.

Precauzioni speciali

- La macchina può essere utilizzata solo insieme alla barra di reazione della coppia associata adattata all'applicazione del giunto a vite in questione.
- Utilizzare il grilletto a doppia azione per ridurre al minimo il rischio di intrappolamento di dita o mani tra la barra di reazione e il pezzo da lavorare.

Norme generali di sicurezza per l'installazione

Per l'installazione rivolgersi esclusivamente a personale qualificato.

Appendere saldamente l'utensile, per esempio usando un bilanciatore. Prima di utilizzare un giogo di sospensione, assicurarsi che sia in buone condizioni ed adeguatamente fissato.

Collegare sempre il sistema a una presa di terra. Verificare sempre che la spina di alimentazione sia scollegata e che il controller sia disattivato prima di collegare o scollegare il cavo dell'utensile.

Precauzioni particolari

ATTENZIONE Pericolo di schiacciamento

Il doppio grilletto costringe l'operatore a utilizzare entrambe le mani per adoperare lo strumento. Se tale dispositivo non viene utilizzato, l'operatore potrebbe avviare involontariamente lo strumento durante la regolazione della barra di reazione, causando gravi infortuni alle mani.

- ▶ Verificare che non sia possibile avviare lo strumento una volta rilasciato il doppio grilletto.
- ▶ Eseguire sempre un test dello strumento rilasciando il grilletto del doppio grilletto, quindi spingere il grilletto dello strumento. Arrestare il lavoro se lo strumento si avvia.

Sicurezza operativa generale

- **Per evitare il rischio di impigliarsi, non indossare guanti.**
- **Si preveda una forza di reazione, rilevabile quando si utilizza l'utensile.** Tenere l'impugnatura dell'utensile con fermezza e nella direzione opposta alla rotazione del mandrino per ridurre l'effetto dell'improvvisa reazione alla coppia durante il serraggio finale e la svitatura iniziale.
- **Non afferrare mai il meccanismo di rotazione, la busola o la prolunga.**
- **Gli operatori e gli addetti alla manutenzione devono essere fisicamente in grado di maneggiare la mole, il peso e la potenza erogata dall'utensile.**
- **Se possibile, utilizzare un braccio di sospensione per assorbire la coppia di reazione. In caso contrario, si raccomanda l'utilizzo di impugnature laterali per gli utensili diritti o a pistola, e di barre di reazione per gli avvitadadi ad angolo.** In tutti i casi, si raccomanda l'impiego di un mezzo di assorbimento della coppia di reazione superiore a 4 Nm (3 lbf.ft) per gli utensili diritti,

superiore a 10 Nm (7,5 lbf.ft) per gli utensili a pistola, e superiore a 60 Nm (44 lbf.ft) per gli avvitadadi ad angolo.

- **I dispositivi di fissaggio a coppia eccessiva o scarsa possono causare gravi lesioni.** Gli assemblaggi che richiedono una determinata coppia devono essere verificati utilizzando un misuratore di coppia. Le cosiddette chiavi torsionometriche a scatto non sono in grado di rilevare condizioni di coppia eccessiva potenzialmente pericolose. Gli elementi di fissaggio a coppia eccessiva o scarsa possono rompersi, allentarsi o separarsi. Le parti staccate possono diventare proiettili.
- **Utilizzare esclusivamente bussole elettriche o a impulsi in buone condizioni.** Non utilizzare bussole manuali.
- **Durante l'utilizzo di utensili elettrici, l'operatore potrebbe provare dolore localizzato alle mani, agli arti superiori, alle spalle, collo o in altre parti del corpo.** Durante la giornata lavorativa, adottare una postura comoda e variarla spesso, mantenere un appoggio sicuro sui piedi ed evitare posizioni scomode o sbilanciate.
- **I movimenti ripetitivi sul lavoro, le posizioni scomode e l'esposizione alle vibrazioni possono essere dannosi per le mani e le braccia.** In caso di intorpidimento, formicolio, dolore e sbianchimento della pelle, sospendere l'utilizzo dell'utensile e consultare il medico.
- **Prestare attenzione nel lavoro in spazi ristretti.** Attenzione a non schiacciare le mani tra il pezzo e l'utensile.
- **Livelli di rumorosità eccessiva possono causare perdite di udito permanenti.** Utilizzare le protezioni acustiche raccomandate dal datore di lavoro o dai regolamenti relativi alla salute e sicurezza sul lavoro.
- **Verificare che il pezzo sia fissato saldamente.**
- **Prestare attenzione in ambienti non conosciuti.** È necessario essere consapevoli dei rischi potenziali causati dal proprio lavoro. L'utensile non è isolato dal rischio di contatto con fonti di energia elettrica.

Utensili utilizzati insieme a una barra di reazione: Non appoggiare o avvicinare mai le mani alla barra di reazione durante l'utilizzo. Prestare attenzione alla direzione di rotazione del mandrino prima di avviare l'utensile, poiché la forza di reazione potrebbe operare in una direzione imprevedibile, con conseguenti rischi di infortuni da schiacciamento.

Utensili dotati di frizione: Non utilizzare mai il prodotto senza verificare il rilascio della frizione. Subito dopo aver regolato la frizione, controllare che funzioni correttamente.

⚠ ATTENZIONE Rischio di lesioni

Utilizzare il file dei parametri corretto. Un file dei parametri errato potrebbe comportare l'applicazione di una coppia troppo elevata e lesioni fisiche.

- ▶ Confrontare la coppia massima indicata nel controller con quella indicata nei dati tecnici dell'utensile e verificare che siano uguali.

Istruzioni generali

L'utensile può essere utilizzato solo insieme all'apposita barra di reazione alla coppia che è adattata alla relativa applicazione con giunto a vite.

⚠ ATTENZIONE Pericolo di schiacciamento



Verificare la direzione di rotazione dell'utensile prima dell'avvio. Un avvio in una direzione di rotazione imprevedibile può causare lesioni o danni. Le parti mobili possono provocare lesioni e tagli.

- ▶ Verificare che la direzione di rotazione dell'utensile sia corretta prima del suo avvio.
- ▶ Tenere mani e dita lontano dalle parti in movimento.

Funzionamento dell'utensile

1. Montare la barra di reazione in base alle istruzioni di sicurezza descritte in questo documento.
2. Dotare l'utensile di una presa adatta seguendo le istruzioni di sicurezza descritte in questo documento.
3. Impostare la modalità corretta utilizzando i pulsanti di impostazione (4) e lo schermo del display (3).
4. Scegliere la direzione corretta usando il pulsante di inversione (6).
5. Posizionare l'utensile e il braccio di reazione (7) in base alle istruzioni di sicurezza descritte in questo documento.
6. Tenere premuto il secondo grilletto (1).
7. Tenere premuto il grilletto principale (2).
8. Tenere premuti i grilletti (1 e 2) fino alla fine dell'operazione.
9. Controllare lo stato di funzionamento sui LED di segnalazione (5). Verde = OK, rosso = NOK.

Batteria

I pacchi batteria che non sono stati utilizzati per un certo intervallo di tempo devono essere ricaricati prima dell'uso. Le temperature superiori a 50° (122°F) riducono le prestazioni del pacco batteria. Evitare un'esposizione prolungata al calore o ai raggi solari a causa di un pericolo di surriscaldamento.

I contatti dei caricatori e dei pacchi batteria devono essere sempre puliti.

Per una durata ottimale, i pacchi batteria devono essere completamente ricaricati dopo l'uso. Per ottenere la maggiore durata possibile della batteria, rimuovere il pacco batteria dal caricatore una volta che questo è completamente ricaricato.

La batteria è dotata della protezione da sovraccarico, che la protegge da eventuali sovraccarichi e permette di garantirne la lunga durata. In caso di condizioni di estrema pressione, le componenti elettroniche della batteria spengono automaticamente il prodotto. Per riavviarlo, spegnere e riaccendere il

prodotto. Se il prodotto non si riavvia, la batteria potrebbe essere completamente scarica. In tal caso deve essere ricaricata nel caricatore della batteria.

Istruzioni per la manutenzione

- Seguire le normative ambientali del rispettivo Paese per la manipolazione e lo smaltimento sicuri di tutti i componenti.
- I lavori di manutenzione e riparazione devono essere eseguiti da personale qualificato utilizzando solo parti di ricambio originali. Contattare il produttore o il rivenditore autorizzato più vicino per una consulenza sull'assistenza tecnica o in caso di necessità di parti di ricambio.
- Assicurarsi sempre che la macchina sia scollegata dall'alimentazione per evitare l'azionamento accidentale.
- Smontare e ispezionare l'utensile ogni 3 mesi se l'utensile è usato quotidianamente. Sostituire le parti danneggiate o usurate.
- Non mettere mai fluido freni, benzina, prodotti a base di petrolio, oli penetranti ecc. in contatto con i pezzi in plastica. Gli agenti chimici possono danneggiare, indebolire o distruggere la plastica, il che può causare lesioni personali gravi.
- Evitare l'uso di solventi durante la pulizia dei pezzi in plastica. Molte plastiche sono soggette a danni da parte di vari tipi di solventi commerciali e possono essere danneggiate dall'uso degli stessi. Utilizzare vestiti puliti per rimuovere sporco, polvere, olio, grasso, ecc.

Smaltimento

- Lo smaltimento di questa apparecchiatura deve avvenire in linea con la legislazione del rispettivo Paese.
- Tutti i dispositivi danneggiati, usurati o funzionanti in modo improprio **NON DEVONO ESSERE UTILIZZATI**

Segni e adesivi

Il prodotto possiede targhette e adesivi contenenti informazioni importanti sulla sicurezza personale e sulla manutenzione del prodotto. Le targhette e gli adesivi devono essere sempre leggibili. È possibile ordinare nuove targhette e adesivi facendo riferimento alla lista dei ricambi.



s011050

Simboli



Rimuovere il pacco batteria prima di cominciare qualsiasi intervento sullo strumento.



Leggere le istruzioni con attenzione prima di avviare lo strumento.



Non smaltire gli utensili elettrici nei rifiuti domestici indifferenziati. Gli utensili elettrici e le apparecchiature elettroniche che hanno raggiunto la fine della propria vita utile devono essere conferiti in maniera distinta presso una struttura di riciclaggio compatibile dal punto di vista ambientale. Contattare l'autorità locale o il rivenditore al dettaglio per informazioni sul riciclaggio e sui punti di conferimento.



Indossare sempre occhiali protettivi quando si utilizza lo strumento.

n_0

Velocità a vuoto.

V

Volt

min^{-1}

al minuto



Corrente continua



PRUDENZA. ATTENZIONE! PERICOLO!

Informazioni utili

Sito web

Il sito web Chicago Pneumatic offre informazioni su prodotti, accessori, parti di ricambio e pubblicazioni.

Visita: www.cp.com.

Paese di origine

HUNGARY

Scheda di sicurezza

Le schede di sicurezza descrivono i prodotti chimici venduti da Chicago Pneumatic.

Consultare il sito Web di Chicago Pneumatic (qr.cp.com/sds) per ulteriori informazioni.

Copyright

© Copyright 2022, CHICAGO PNEUMATIC Tool Co.LLC, 1815 Clubhouse Road, Rock Hill, SC 29730 - USA

Tutti i diritti riservati. Qualsiasi utilizzo o copia non autorizzati dei contenuti o di parte di questi è vietato. Ciò vale in particolare per marchi registrati, denominazioni dei modelli, numeri di componente e diagrammi. Utilizzare solo componenti autorizzati. Un eventuale danneggiamento o difetto di funzionamento causato dall'utilizzo di componenti non autorizzati non è coperto dalla garanzia o dalla responsabilità per danni dovuti a prodotti difettosi.

Technische gegevens

Productbeschrijving

Zie illustratie 2: Productbeschrijving

- 1 Tweede trekker
- 2 Hoofdtrekker

- 3 Scherm
- 4 Instelknoppen
- 5 Meldings-leds
- 6 Omkeerknop
- 7 Reactiestang s-type (bij gereedschap geleverd)

Verklaringen

EU-CONFORMITEITSVERKLARING

Wij, **CHICAGO PNEUMATIC Tool Co.LLC**, 1815 Clubhouse Road, Rock Hill, SC 29730 - USA verklaren dat het product (met naam, type- en serienummer, zie voorpagina) in overeenstemming is met de volgende richtlijn(en): 2006/42/EC; 2011/65/UE; 2014/53/UE

Toegepaste geharmoniseerde normen: EN 62841-2-2:2014 + AC1:2015; EN 55014-1:2017+11:2020; EN 55014-2:2015; EN 61000-6-2:2019; EN 61000-6-3:2007 + A1:2011; EN 300328V222; EN 301489-17V324; EN 301489-1V223; EN 62311:2008; EN 62479:2010

Autoriteiten kunnen relevante technische informatie opvragen van:

Pascal Roussy, R&D Manager, Ets Georges Renault, 38 rue Bobby Sands, BP10273 44818 Saint Herblain, France

Saint-Herblain, 2022/01/26

Pascal ROUSSY

Handtekening van de opsteller



Verklaring geluid & trilling

- Geluidsdruk niveau < 72 dB(A) , onzekerheid 3 dB(A), in overeenstemming met EN 62841-2-2:2015.
- Geluidsdruk niveau < 83 dB(A) , onzekerheid 3 dB(A), in overeenstemming met EN 62841-2-2:2015.
- Totale trillingswaarde < 2.5 m/s², onzekerheid 3 m/s², in overeenstemming met EN 62841-2-2:2015.

Deze aangegeven waarden zijn verkregen door laboratoriumtests conform de aangegeven normen en zijn geschikt om vergeleken te worden met de aangegeven waarden of andere geteste gereedschappen met dezelfde normen. De aangegeven waarden zijn niet geschikt voor gebruik voor risicobepalingen en de waarden gemeten op de afzonderlijke werkplekken kunnen hoger zijn. De werkelijke blootstellingswaarden en het risico op letsel verschillen per gebruiker en zijn afhankelijk van de manier waarop de gebruiker werkt, het werkstuk en het ontwerp van het werkstation, alsmede de blootstellingstijd en de fysieke conditie van de gebruiker.

Wij, **CHICAGO PNEUMATIC Tool Co.LLC**, zijn niet aansprakelijk voor de gevolgen van het gebruik van de weergegeven waarden, in plaats van de waarden die passen bij de werkelijke blootstelling, zoals bepaald via een afzonderlijke risicobeoordeling en in een werksituatie waarover wij geen controle hebben

Indien dit gereedschap niet naar behoren wordt gebruikt, kan dit het hand-arm vibratiesyndroom veroorzaken. Een EU-richtlijn voor hand-armtrillingen vindt u op <http://www.pneurop.eu/index.php>. Selecteer 'Gereedschappen' en daarna 'Wetgeving'.

Wij adviseren een gezondheidscontrole op te zetten om al in een vroegstadium symptomen te kunnen waarnemen die gerelateerd zouden kunnen zijn aan blootstellingen aan trillingen, zodat managementprocedures aangepast kunnen worden om toekomstig letsel te voorkomen.

- ⓘ Als deze apparatuur is bedoeld voor vaste toepassingen: De geluidsuitstoot wordt als richtlijn voor de machinebouwer verstrekt. Gegevens m.b.t. geluids- en trillingsuitstoot voor de gehele machine staan in het instructiehandboek voor de machine.

Specificaties draadloze communicatie

BLUETOOTH LOW ENERGY 4.2®

Frequentie: 2400 MHz - 2483,5MHz

EIRP: < 10 dBm

Het Bluetooth®-woordmerk en -logo's zijn geregistreerde handelsmerken van Bluetooth SIG, Inc

Regionale vereisten

⚠ WAARSCHUWING

Dit product kan u blootstellen aan chemicaliën, waaronder lood. Dit is een stof waarvan de Californische overheid weet dat deze kanker, aangeboren afwijkingen en vruchtbaarheidsproblemen veroorzaakt. Ga voor meer informatie naar

<https://www.p65warnings.ca.gov/>

Veiligheid

NIET WEGGOOIEN - AAN DE GEBRUIKER GEVEN

⚠ WAARSCHUWING Lees alle bij dit product geleverde veiligheidswaarschuwingen, instructies, illustraties en specificaties.

Indien u niet alle instructies hieronder opvolgt, kan dit leiden tot een elektrische schok, brand, schade aan eigendommen en/of ernstig lichamelijk letsel.

Bewaar alle waarschuwingen en instructies, zodat u ze op en later tijdstip kunt raadplegen.

⚠ WAARSCHUWING Alle plaatselijke wettige veiligheidsregels betreffende installatie, bediening en onderhoud moeten altijd in acht worden genomen.

Gebruiksverklaring

- Uitsluitend voor professioneel gebruik.
- Dit product en de accessoires mogen niet gemodificeerd worden.
- Gebruik dit product niet indien het beschadigd is.

- Indien de productgegevens of de gevarenwaarschuwingen op het product onleesbaar zijn of losraken, vervang ze dan onmiddellijk.
- Het product mag uitsluitend worden geïnstalleerd, gebruikt en onderhouden door bevoegde personeel in een industriële assemblage-omgeving.

Beoogd gebruik

Het product is uitsluitend bedoeld voor volwassenen die de instructies en waarschuwingen in deze handleiding hebben gelezen en begrepen en als verantwoordelijk kunnen worden beschouwd voor hun handelingen.

- Dit product is ontwikkeld om bevestigingsmiddelen met schroefdraad in/uit hout, metaal en kunststof te installeren/verwijderen
- Alleen binnenshuis gebruik.
- Gebruik het product niet voor andere doeleinden dan hierboven beschreven.
- Ander gebruik is niet toegestaan.

Aanbevolen batterijen

8940176068: CP36XP25

Aanbevolen oplader

8940176069: CP18-36CH

Aanbevolen reactiestang

Gebruik de bij het gereedschap geleverde reactiestang (7). Voor andere modellen zie het reactiestangdocument referentie 6159923710

Algemene veiligheidsinstructies voor elektrisch gereedschap

WAARSCHUWING Lees alle bij dit product geleverde veiligheidswaarschuwingen, instructies, illustraties en specificaties.

Indien u niet alle instructies hieronder opvolgt, kan dit leiden tot een elektrische schok, brand, schade aan eigendommen en/of ernstig lichamelijke letsel.

Bewaar alle waarschuwingen en instructies, zodat u ze op en later tijdstip kunt raadplegen.

De term "elektrisch gereedschap" in de waarschuwingen refereert aan uw via een kabel op netvoeding aangesloten elektrisch gereedschap.

Veiligheid in de werkplaats

- **Zorg dat de werkplaats altijd schoon en goed verlicht is.** In rommelige of donkere ruimtes treden vaker ongelukken op.
- **Gebruik elektrisch gereedschap niet in ruimte met explosieve stoffen, zoals brandbare vloeistoffen, gassen of stof.** Elektrisch gereedschap veroorzaakt vonken die stof of rook kunnen ontsteken.
- **Houd kinderen en omstanders uit de buurt tijdens het gebruik van elektrisch gereedschap.** Als u wordt afgeleid, kunt u de controle over het gereedschap verliezen.

Elektriciteit en veiligheid

- **De stekker van elektrisch gereedschap moet passen bij het stopcontact. Breng onder geen voorwaarde veranderingen aan de stekker aan. Gebruik geen adapterstekkers op gearde elektrische gereedschappen.** Ongewijzigde stekkers en daarbij passende stopcontacten verlagen de kans op een elektrische schok.
- **Voorkom contact van het lichaam met gearde oppervlakken, zoals pijpen, radiatoren, fornuizen en koelkasten.** Als uw lichaam geaards is, is de kans op een elektrische schok groter.
- **Stel elektrisch gereedschap niet bloot aan regen of vocht.** Indien er water in het gereedschap dringt, is er een grotere kans op een elektrische schok.
- **Misbruik de kabel niet. Gebruik de kabel nooit om het elektrisch gereedschap te dragen of trekken. Trek niet aan de kabel van het elektrisch gereedschap om de stekker uit het stopcontact te halen. Houd de kabel uit de buurt van warmtebronnen, olie, scherpe randen of bewegende onderdelen.** Beschadigde of beknelde kabels vergroten de kans op een elektrische schok.
- **Als u het elektrisch gereedschap buiten gebruikt, zorg dan dat u een verlengsnoer gebruikt dat hiervoor geschikt is.** Gebruik een snoer dat geschikt is voor buiten, om zo de kans op een elektrische schok te verkleinen.
- **Bescherm de voedingseenheid met een aardlekschakelaar indien het gebruik van elektrisch gereedschap op een vochtige plaats onvermijdelijk is.** Gebruik van een aardlekschakelaar verkleint de kans op een elektrische schok.

Persoonlijke veiligheid

- **Blijf oplettend, kijk goed wat u doet en gebruik uw gezond verstand tijdens het werken met elektrisch gereedschap. Gebruik elektrische gereedschappen nooit als u moe bent of onder de invloed van drugs, alcohol of medicijnen.** Indien uw aandacht even verslapt tijdens het gebruik van elektrisch gereedschap leidt dit mogelijk tot ernstig lichamelijke letsel.
- **Gebruik veiligheidsuitrusting. Draag altijd een veiligheidsbril.** Indien veiligheidsuitrusting, zoals een stofmasker, werkschoenen met anti-slip, een helm of oorbeschermers, wordt de juiste werkomstandigheden wordt gebruikt, verlaagt u de kans op lichamelijke letsel.
- **Voorkom onbedoeld starten van het gereedschap. Controleer of de schakelaar in de uit-stand is alvorens de stroom en/of batterijdoos aan te zetten, het gereedschap op te pakken of te dragen.** Indien u elektrisch gereedschap draag met uw vinger op de schakelaar of elektrisch gereedschap op een stroombron aansluit met de schakelaar ingedrukt, leidt dit tot ongelukken.
- **Verwijder (stel)sleutels alvorens het elektrisch gereedschap in te schakelen.** Indien u een (stel)sleutel niet verwijdert van het draaiende deel van het elektrisch gereedschap leidt dit mogelijk tot lichamelijke letsel.

- **Reik niet te ver. Zorg dat u altijd stevig op uw benen staat en in balans bent.** Dit geeft u meer controle over het elektrisch gereedschap in onverwachte situaties.
- **Draag geschikte kleding. Draag geen loszittende kleding of sieraden. Houd uw haar en kleding uit de buurt van bewegende onderdelen.** Loshangende kleding, sieraden of lang haar kunnen bekneld raken tussen bewegende onderdelen.
- **Indien er apparaten geleverd zijn voor de aansluiting van stofafzuiging en -opvang, dient u ervoor te zorgen dat deze naar behoren aangesloten en gebruikt worden.** Het gebruik van stofafzuiging verkleint de kans op aan stof verwante gevaren.
- **Blijf de veiligheidsprincipes van het gereedschap nauwkeurig opvolgen, zelfs als u door veelvuldig gebruik bekend bent met de werking van het gereedschap.** Onvoorzichtig gebruik van het gereedschap kan binnen een fractie van een seconde leiden tot ernstig letsel.
- **Houd het elektrisch gereedschap vast aan de geïsoleerde handgrepen als u werkzaamheden uitvoert waarbij de bevestiging in contact kan komen met draden.** Bevestigingsdraden die een draad onder spanning raken kunnen blootliggende metalen onderdelen van het elektrisch gereedschap onder spanning zetten en de bediener een elektrische schok geven.

Gebruik en behandeling van uw elektrisch gereedschap

- **Voorkom overbelasting van uw elektrisch gereedschap. Gebruik het elektrisch gereedschap dat geschikt is voor de taak.** Het juiste elektrische gereedschap werkt veiliger en beter met een belasting waarvoor het is ontwikkeld.
- **Gebruik het elektrische gereedschap niet indien de aan-/uitschakelaar niet werkt.** Het is gevaarlijk als een elektrisch gereedschap niet aan- en uitgezet kan worden met de schakelaar. Het gereedschap moet eerst worden gerepareerd.
- **Verwijder de stekker uit het stopcontact en/of, indien aanwezig, de batterij van het elektrische gereedschap alvorens aanpassingen te maken, accessoires te verwisselen of elektrische gereedschappen op te slaan..** Deze preventieve veiligheidsmaatregelen verkleinen de kans op het onbedoeld inschakelen van het elektrische gereedschap.
- **Bewaars elektrische gereedschappen die niet in gebruik zijn uit de buurt van kinderen en verbied personen die niet bekend zijn met het elektrische gereedschap en deze instructies het elektrische gereedschap te gebruiken.** Elektrische gereedschappen zijn gevaarlijk in handen van onervaren gebruikers.
- **Onderhoud elektrische gereedschappen en accessoires. Controleer op verkeerd uitgelijnde of of belemmerde bewegende onderdelen, breuken in onderdelen en andere omstandigheden die mogelijk het gebruik van het elektrische gereedschap beïnvloeden.** Beschadigd elektrisch gereedschap dient gerepareerd te worden alvorens het te gebruiken. Veel ongelukken worden veroorzaakt door slecht onderhouden elektrisch gereedschap.

- **Houd snijgereedschappen scherp en schoon.** Goed onderhouden snijgereedschappen met scherpe snijbladen lopen minder snel vast en zijn eenvoudiger te gebruiken.
- **Gebruik het elektrische gereedschap, de accessoires en boortjes conform deze instructies. Houd hierbij rekening met werkomstandigheden en het werk dat u verricht.** Het gebruik van het elektrische gereedschap voor taken anders dan die waarvoor het gereedschap is bedoeld, kan leiden tot gevaarlijke situaties.
- **Houd handgrepen en grijpvlakken droog, schoon en vrij van olie en vet.** Gladde handgrepen en grijpvlakken maken het veilige gebruik en het veilig hanteren van het gereedschap in onverwachte omstandigheden onmogelijk.

Gebruik en onderhoud van batterijgereedschap

- **Laad het gereedschap uitsluitend op met de door de fabrikant aanbevolen oplader.** Een oplader die geschikt is voor een bepaald type batterijdoos kan mogelijk brand veroorzaken wanneer deze wordt gebruikt met een andere batterijdoos.
- **Gebruik elektrische gereedschappen uitsluitend met specifiek daarvoor bestemde batterijen.** Het gebruik van andere batterijen kan leiden tot verwondingen en brand.
- **Wanneer de batterijdozen niet in gebruik zijn, dient u ze uit de buurt van metalen voorwerpen zoals paperclips, munten, sleutels, nagels, schroeven of andere kleine metalen voorwerpen te houden, om te voorkomen dat een verbinding tussen de batterijpolen tot stand wordt gebracht.** Kortsluiting tussen de batterijpolen kan leiden tot brandwonden en brand.
- **Verkeerd gebruik van de batterijen kan tot gevolg hebben dat er vloeistof uit de batterij loopt; raak dit niet aan. Indien er toch per ongeluk contact optreedt, spoel het getroffen gebied met water. Indien de vloeistof in contact komt met de ogen, dient u medische hulp in te roepen.** Batterijvloeistof kan irritatie en brandwonden veroorzaken.
- **Gebruik nooit een beschadigde of gewijzigde batterijdoos.** Beschadigde of gewijzigde batterijen kunnen onvoorspelbaar werken en brand, een explosie of letsel veroorzaken.
- **Stel een batterijdoos of gereedschap niet bloot aan vuur of een te hoge temperatuur.** Blootstelling aan vuur of een temperatuur hoger dan 130 °C kan een explosie veroorzaken.
- **Volg alle oplaadinstructies op en laad de batterijdoos of het gereedschap niet op bij een temperatuur die buiten het in de instructies opgegeven temperatuurbereik ligt.** Als het gereedschap wordt opgeladen op een onjuiste wijze of bij een temperatuur die buiten het opgegeven bereik is, kan dit leiden tot schade aan de batterij en wordt de kans op brand groter.

Herstellingen en revisie

- **Laat uw elektrische gereedschap onderhouden door een bevoegde monteur en gebruik uitsluitend identieke vervangende onderdelen.** Hierdoor blijft de veiligheid van het elektrische gereedschap gewaarborgd.

- **Repareer nooit beschadigde batterijdozen.** Laat batterijdozen uitsluitend repareren door de fabrikant of door een erkende reparateur.

Productspecifieke instructies

Waarschuwing!

Om het risico op brand, lichamelijk letsel en schade aan het product door kortsluiting te beperken, mag u het gereedschap, de batterijdoos of de oplader nooit in vloeistof onderdompelen of een vloeistof erin laten stromen. Corrosieve of geleidende vloeistoffen, zoals zee-water, bepaalde industriële chemicaliën en bleekmiddelen of producten die bleekmiddelen bevatten, enz. kunnen kortsluiting veroorzaken.

Speciale voorzorgsmaatregelen

- De machine mag uitsluitend in combinatie met de bijbehorende koppelreactiebalk worden gebruikt. Deze is specifiek bedoeld voor de betreffende schroefverbindingstoepassing.
- Gebruik de dubbele trekker om de kans op het beklemd raken van handen of vingers tussen de reactiebalk en het project waaraan u werkt tot een minimum te beperken.

Algemene veiligheidsregels m.b.t. Installatie

Laat installatie uitsluitend uitvoeren door bevoegd personeel.

Hang het gereedschap stevig op, bijvoorbeeld aan een stabilisator. Blijf met handen, lang haar en losse kleding van de draaiende dop verwijderd.

Dit systeem moet op een geaard stopcontact worden aangesloten. Zorg dat de stekker van de netkabel altijd uit het topcontact wordt verwijderd en de controller uitgeschakeld wordt alvorens de kabel van het gereedschap aan te sluiten of uit het stopcontact te verwijderen.

Speciale voorzorgsmaatregelen

WAARSCHUWING Beknellingsgevaar

De dubbele trekker dwingt de gebruiker om beide handen te gebruiken om het gereedschap te bedienen. Als dit niet wordt gebruikt, kan de gebruiker het gereedschap per ongeluk starten bij het aanpassen van de reactiestang, wat tot ernstig handletsel leidt.

- ▶ Zorg dat het gereedschap niet kan worden gestart nadat de dubbele trekker is losgelaten.
- ▶ Test het gereedschap altijd door eerst de trekker van de dubbele trekker los te laten en vervolgens de trekker van het gereedschap in te drukken. Als het gereedschap start, stop dan met werken.

Algemene veiligheidsregels m.b.t. gebruik

- **Draag geen handschoenen, wegens risico op beknelling.**
- **Let op voor de reactiekracht die zal optreden bij het gebruik van het gereedschap.** Zorg altijd voor voldoende steun voor de handgreep van het gereedschap, in

tegenovergestelde richting van de spilrotatie, om het effect te reduceren van plotselinge torsiereactie gedurende het laatste aandraaien en het aanvankelijke losdraaien.

- **Houd de aandrijving, de krachtdop of de uitbreiding nooit in uw handen.**
- **Gebruikers en onderhoudspersoneel moet lichamelijk in staat zijn om met de omvang, het gewicht en de kracht van dit apparaat om te kunnen gaan.**
- **Gebruik indien mogelijk een hanger om een reactiekoppel te absorberen. Als dit niet mogelijk is, wordt het gebruik van handgrepen aan de zijkant aanbevolen voor gereedschap met rechte- en pistoolhandgrepen; reactiestangen zijn aanbevolen voor gebogen moeraanzetters.** Het is aanbevolen een koppelreactie boven 4 Nm te absorberen voor rechte gereedschappen, boven 10 Nm voor gereedschappen met pistoolhandgreep en boven 60 Nm voor gebogen moeraanzetters.
- **Bevestigingsmiddelen met een te hoog of te laag koppel kunnen ernstig letsel veroorzaken.** Controleer montages die een bepaald koppel eisen met een koppelmeter. Zogenaamde 'klik'-momentsleutels controleren niet op potentieel gevaarlijk hoge koppelwaarden. Bevestigingsmiddelen met een te hoog of te laag koppel kunnen breken of losraken. Losgeraakte montages kunnen wegschieten.
- **Gebruik uitsluitend elektrische of luchtsleutels die in goede staat verkeren.** Gebruik geen handsleutels.
- **Tijdens het gebruik van elektrisch gereedschap,ervaart de bediener mogelijk een onprettig gevoel in de handen, armen, schouders, nek of andere lichaamsdelen.** Wissel tussen geschikte houdingen gedurende de werkdag, zorg dat u stevig staat, vermijd vreemde houdingen en zorg dat u in balans blijft.
- **Repeterende bewegingen, een slechte houding en blootstelling aan trillingen kunnen schade aan handen en armen toebrengen.** Indien u gevoelloosheid, tintelingen of het wit wegtrekken van de huid waarneemt, dient u het gereedschap uit te schakelen en contact met een arts op te nemen.
- **Wees voorzichtig bij het werken in kleine ruimtes.** Zorg dat uw handen niet bekneld raken tussen het gereedschap en het project waaraan u werkt.
- **Harde geluiden kunnen leiden tot permanente gehoorbeschadiging.** Gebruik oorbeschermers die worden aangeraden door uw werkgever of in de reglementen voor welzijn en veiligheid op de werkvloer.
- **Zorg ervoor dat elk project waaraan u werkt goed is bevestigd.**
- **Wees voorzichtig wanneer u zich op onbekend terrein bevindt.** Zorg dat u zich bewust bent van de potentiële gevaren van uw werkzaamheden. Dit gereedschap is niet geïsoleerd tegen contact met elektrische stroombronnen.

Gereedschap dat wordt gebruikt met een reactiestang:

Plaats uw hand nooit op of dicht tegen de reactiestang tijdens het gebruik van het gereedschap. Controleer de draairichting van de as alvorens het gereedschap in te schakelen. Als de reactiekracht in een onverwachte richting moet worden opgevangen kan dit leiden tot bekneld raken van de handen.

Gereedschap met een koppeling: Gebruik het product nooit voordat u hebt gecontroleerd of de koppeling ontkoppelt. Controleer meteen na het afstellen van de koppeling of het gereedschap correct werkt.

⚠ WAARSCHUWING Risico op letsel

Zorg dat het juiste parameterbestand wordt gebruikt. Een onjuist parameterbestand kan tot een te hoog koppel leiden, met lichamelijk letsel als gevolg.

- ▶ Vergelijk het maximale koppel aangegeven in de controller met het maximale koppel aangegeven in de technische gegevens van het gereedschap. Deze horen hetzelfde te zijn.

Algemene instructies

Het gereedschap mag uitsluitend in combinatie met de bijbehorende koppelreactiebalk worden gebruikt. Deze is specifiek bedoeld voor de betreffende schroefverbindingstoepassing.

⚠ WAARSCHUWING Beknellingsgevaar



Controleer de draairichting van het gereedschap voordat u het gereedschap inschakelt! Inschakeling in een onverwachte draairichting kan schade aan eigendommen en lichamelijk letsel veroorzaken. Bewegende delen kunnen bekneling en snijwonden veroorzaken.

- ▶ Controleer of de draairichting van het gereedschap juist is voordat u het gereedschap inschakelt.
- ▶ Houd handen en vingers uit de buurt van bewegende delen.

Gebruik van het gereedschap

1. Monteer de reactiestang volgens de veiligheidsinstructies in dit document.
2. Plaats een geschikte dop op het gereedschap volgens de veiligheidsinstructies in dit document.
3. Stel de juiste modus in met de instelknoppen (4) en het scherm (3).
4. Kies de juiste richting met de omkeerknop (6).
5. Positioneer het gereedschap en de reactiestang (7) volgens de veiligheidsinstructies in dit document.
6. Druk de tweede trekker (1) in en houd deze vast.
7. Druk de hoofdtrekker (2) in en houd deze vast.
8. Houd de trekkers (1 en 2) vast tot het einde van de bewerking.
9. Controleer de werkingsstatus door middel van de meldings-leds (5). Groen (ok), rood (niet ok).

AccAccu

Accublokken die enige tijd niet zijn gebruikt moeten worden opgeladen voor gebruik. Temperaturen hoger dan 50 °C (122 °F) verminderen de

prestaties van het accublok. Voorkom langdurige blootstelling aan hitte of zonlicht (risico op oververhitting). De contactpunten van laders en accublokken moeten schoon worden gehouden.

Voor een optimale levensduur moeten accublokken volledig worden opgeladen na gebruik. Haal voor een zo lang mogelijke accuduur het accublok van de lader nadat deze volledig is opgeladen.

De batterijdoos heeft een overbelastingsbescherming die overbelasting voorkomt en een lange levensduur garandeert. Bij extreme belasting schakelt de batterielektronica het product automatisch uit. Om het product opnieuw te starten, schakelt u het uit en weer in. Als het product niet opnieuw opstart, is de batterijdoos mogelijk volledig ontladen. In dit geval moet deze in de oplader worden opgeladen.

Onderhoudsinstructies

- **Volg de plaatselijk geldende milieuvoorschriften voor zowel het veilige gebruik als de veilige afvoer van alle onderdelen.**
- Onderhouds- en reparatiewerkzaamheden mogen alleen door gekwalificeerd personeel en met originele reserveonderdelen worden uitgevoerd. Neem contact op met de fabrikant of uw dichtstbijzijnde geautoriseerde dealer voor advies over technische service of als u reserveonderdelen nodig hebt.
- Voorkom onbedoeld inschakelen van de machine door altijd te controleren of de stroomkabel van de machine losgekoppeld is van het elektriciteitsnet.
- Demonteer en controleer gereedschap dat dagelijks gebruikt wordt om de 3 maanden. Vervang beschadigde of versleten onderdelen.
- Laat remvloeistoffen, benzine, producten op basis van aardolie, doordringende oliën, etc. nooit in contact komen met kunststof onderdelen. Chemicaliën kunnen het plastic beschadigen, verzwakken of vernietigen. Dit kan leiden tot ernstig persoonlijk letsel.
- Gebruik bij het reinigen van plastic onderdelen geen oplosmiddelen. De meeste plastics zijn gevoelig voor schade door verschillende soorten commerciële oplosmiddelen en kunnen door het gebruik ervan worden beschadigd. Gebruik een schone doek om vuil, stof, olie, vet, etc. te verwijderen.

Afvoer

- De verwijdering van deze apparatuur dient volgens de wetgeving van het toepasselijke land plaats te vinden.
- Alle beschadigde, ernstig versleten of onjuist functionerende apparaten **DIENEN BUITEN BEDRIJF TE WORDEN GESTELD.**

Aanduidingen en stickers

Het product is voorzien van aanduidingen en stickers waarop u belangrijke informatie vindt over persoonlijke veiligheid en productonderhoud. De aanduidingen en stickers zijn altijd goed leesbaar. Nieuwe aanduidingen en stickers kunnen via de lijst met reserveonderdelen worden besteld.



s011050

Symbolen

	Verwijder het accublok voordat u aan de machine werkt.
	Lees de instructies zorgvuldig door voordat u de machine start.
	Werp elektrische apparaten niet bij het huishoudelijkafval. Elektrisch gereedschap en elektronische apparatuur die het einde van hun levensduur hebben bereikt moeten afzonderlijk worden ingezameld en naar een milieuvriendelijke recyclingfaciliteit worden geretourneerd. Raadpleeg uw lokale autoriteit of verkoper voor advies over recycling en het inzamelpunt.
	Draag altijd een veiligheidsbril tijdens het gebruik van de machine.
n_0	Geen ladingssnelheid.
V	Volt
min^{-1}	per minuut
	Gelijkstroom
	LET OP! WAARSCHUWING! GEVAAR!

Nuttige informatie

Website

Informatie betreffende onze producten, accessoires, reserveonderdelen en pucliaties is te vinden op de website van Chicago Pneumatic.

Ga naar: www.cp.com.

Land van oorsprong

HUNGARY

Veiligheidsinformatieblad

De veiligheidsinformatiebladen beschrijven de chemische producten verkocht door Chicago Pneumatic.

Raadpleeg de Chicago Pneumatic-website voor meer informatie qr.cp.com/sds.

Copyright

© Copyright 2022, CHICAGO PNEUMATIC Tool Co.LLC, 1815 Clubhouse Road, Rock Hill, SC 29730 - USA

Alle rechten voorbehouden. Onrechtmatig gebruik of het kopiëren van de inhoud of een deel hiervan is verboden. Dit is met name van toepassing op handelsmerken, modelnamen, onderdeelnummers en tekeningen. Gebruik uitsluitend onderdelen van Atlas Copco. Schade of defecten als gevolg van het gebruik van onderdelen van derden vallen niet onder de garantie.

Teknische data

Produktbeskrivelse

Se venligst illustration 2: Produktbeskrivelse

- 1 Anden udløserknapp
- 2 Første udløserknapp
- 3 Displayskærm
- 4 Indstillingsknapper
- 5 Rapportlamper
- 6 Returknapp
- 7 Modhold, s-type (leveres med værktøjet)

Erklæringer

EU-OVERENSSTEMMELSESERKLÆRING

Vi, **CHICAGO PNEUMATIC Tool Co.LLC**, 1815 Clubhouse Road, Rock Hill, SC 29730 - USA, erklærer, under eneansvar, at produktet (med navn, type og serienummer på forsiden) er i overensstemmelse med følgende direktiv(er): 2006/42/EC; 2011/65/UE; 2014/53/UE

Harmoniserede standarder anvendt: EN 62841-2-2:2014 + AC1:2015; EN 55014-1:2017+11:2020; EN 55014-2:2015; EN 61000-6-2:2019; EN 61000-6-3:2007 + A1:2011; EN 300328V222; EN 301489-17V324; EN 301489-1V223; EN 62311:2008; EN 62479:2010

Myndigheder kan rekvirere relevant teknisk information fra: Pascal Roussy, R&D Manager, Ets Georges Renault, 38 rue Bobby Sands, BP10273 44818 Saint Herblain, France

Saint-Herblain, 2022/01/26

Pascal ROUSSY

Udgiverens underskrift

Støj- og vibrationsdeklaration

- Lydtrykniveau < 72 dB(A), usikkerheds- 3 dB(A), i overensstemmelse med EN 62841-2-2:2015.
- Lydeffektniveau < 83 dB(A), usikkerhed 3 dB(A), i overensstemmelse med EN 62841-2-2:2015.
- Vibrationens totalværdi < 2.5 m/s², usikkerhed 3 m/s², i overensstemmelse med EN 62841-2-2:2015.

Disse deklarerede værdier er opnået ved laboratorietests i overensstemmelse med de angivne standarder, og kan bruges til sammenligning med de deklarerede værdier for andre værktøjer testet i overensstemmelse med de samme standarder. Disse deklarerede værdier er ikke hensigtsmæssige til brug ved risikovurderinger, og værdier målt på individuelle arbejdspladser kan være højere. De faktiske eksponeringsværdier og den skadesrisiko, der oplesves af en enkelt bruger er unikke og er afhængige af den måde, hvorpå brugeren arbejder, emnet og arbejdspladsudformningen, og af brugerens eksponeringstid og fysiske tilstand.

Vi, **CHICAGO PNEUMATIC Tool Co.LLC**, hæfter ikke for følgerne af at bruge de erklærede værdier i stedet for værdier, der afspejler den faktiske udsættelse i en individuel risikovurdering i en arbejdspladssituation, som vi ikke er herre over.

Dette værktøj kan forårsage hånd-arm-vibrationssyndrom, hvis anvendelse af værktøjet ikke styres tilstrækkeligt. En EU-vejledning til styring af hånd-armvibration findes ved at gå til <http://www.pneurop.eu/index.php> og vælge 'Tools' og derpå 'Legislation'.

Vi anbefaler et helbredsovervågningsprogram, så tidlige symptomer på vibrationseksponering kan blive opdaget, og ledelsesprocedurerne kan ændres mhp. at forebygge fremtidige skader.

- i** Hvis dette udstyr er beregnet til fastgjorte anvendelser. Støjmissionen angives som vejledende for maskinbyggere. Støj- og vibrationsemissionsdata for hele maskinen skulle være angivet i maskinens instruktionsbog.

Specifikationer for trådløs kommunikation

BLUETOOTH LOW ENERGY 4.2®

Frekvens: 2400 MHz - 2483,5MHz

EIRP: <10 dBm

Ordmærket Bluetooth® og de tilhørende logoer er registrerede varemærker tilhørende Bluetooth SIG, Inc

Regionale krav

⚠ ADVARSEL

Dette produkt kan udsætte dig for kemikalier og bly, som af staten Californien regnes for at være kræftfremkaldende og kan føre til fosterskader og andre reproduktionsskader. For yderligere oplysninger, gå til <https://www.p65warnings.ca.gov/>

Sikkerhed

KASSÉR IKKE DETTE - GIV DET TIL BRUGEREN

⚠ ADVARSEL Læs alle sikkerhedsadvarsler, anvisninger, illustrationer og specifikationer, der følger med dette produkt.

Hvis ikke alle instruktionerne følges, kan det føre til elektrisk stød, brand, skade på ejendom og/eller alvorlige kvæstelser.

Gem alle advarsler og instruktioner til fremtidig brug.

⚠ ADVARSEL Alle lokalt gældende sikkerhedsforskrifter omhandlende installation, drift og vedligeholdelse skal altid overholdes.

Anvendelseserklæring

- Kun til professionel brug.
- Dette produkt og produktets tilbehør må ikke modificeres på nogen måde.
- Dette produkt må ikke bruges, hvis det er beskadiget.

- Hvis mærkaterne om produktdata eller advarsler på værktøjet ikke længere kan læses eller falder af, skal der straks sættes nye på.
- Produktet må kun installeres, betjenes og serviceres af en kvalificeret person i et industriområde.

Tilsløget brug

Dette produkt er kun beregnet til at blive brugt af voksne, som har læst og forstået vejledningen og advarslerne i denne brugsanvisning og kan anses for at være ansvarlige for deres handlinger.

- Dette produkt er designet til at montere og afmontere gevindskårne befæstelselementer i træ, metal eller plast.
- Kun til indendørs brug.
- Produktet må ikke bruges til andre formål end beskrevet ovenfor.
- Ingen anden anvendelse er tilladt.

Anbefalede batterier

8940176068 CP36XP25

Anbefalet oplader

8940176069 CP18-36CH

Anbefalet modhold

Anvend det modhold (7) som medfølger værktøjet. For andre modeller kan man se dokumentet om modhold med referencenummer 6159923710

Generelle sikkerhedsadvarsler for maskinværktøj

⚠ ADVARSEL Læs alle sikkerhedsadvarsler, anvisninger, illustrationer og specifikationer, der følger med dette produkt.

Hvis ikke alle instruktionerne følges, kan det føre til elektrisk stød, brand, skade på ejendom og/eller alvorlige kvæstelser.

Gem alle advarsler og instruktioner til fremtidig brug.

Udtrykket "maskinværktøj" i advarslerne henviser til maskinværktøj, der tilsluttes elnettet (med ledning), eller til batteridrevet (trådløst) maskinværktøj.

Sikkerhed på arbejdsområdet

- **Hold arbejdsområdet rent og godt belyst.** Rodede eller mørke områder indbyder til ulykker.
- **Undlad at bruge maskinværktøj i eksplosionsfarlige omgivelser som f.eks. ved forekomst af brændbare væsker, gasarter eller støv.** El-værktøjer danner gnister, som kan antænde støv eller dampe.
- **Hold børn og tilskuere på afstand, når du bruger et maskinværktøj.** Forstyrrelser kan få dig til at miste herredømmet over værktøjet.

Elsikkerhed

- **Maskinværktøjets stik skal passe til stikkontakten. Stikket må aldrig ændres på nogen måde. Undlad at anvende adapterstik med jordforbundet (jordet) maskinværktøj.** Stik, som ikke er ændret, og som passer til stikkontakterne, reducerer risikoen for elektrisk stød.
- **Undgå kropskontakt med jordforbundne eller jordede overflader som f.eks. rør, radiatorer, komfurer og køleskabe.** Der er forøget risiko for elektrisk stød, hvis kroppen bliver jordet eller jordforbundet.
- **Undlad at udsætte maskinværktøj for regn eller våde forhold.** Hvis der trænger vand ind i maskinværktøj, øges faren for elektrisk stød.
- **Brug ledningen forsvarligt. Ledningen må aldrig bruges til at bære eller trække et maskinværktøj eller til at trække stikket ud af stikkontakten. Hold ledningen på afstand af varme, olie, skarpe kanter og dele i bevægelse.** Beskadigede eller sammenviklede ledninger øger faren for elektrisk stød.
- **Når du betjener et maskinværktøj udendørs, skal du anvende en passende forlængerledning til udendørs brug.** Brug af et kabel til udendørs brug reducerer risikoen for elektrisk stød.
- **Hvis du absolut skal anvende et maskinværktøj på et fugtigt sted, skal du bruge en strømforsyning, som beskyttes med en fejlstrømsafbryder (RCD).** Brug af en fejlstrømsafbryder (RCD) reducerer risikoen for elektrisk stød.

Personlig sikkerhed

- **Vær agtpågivende, pas på hvad du gør, og brug din sunde fornuft, når du betjener et maskinværktøj. Undlad at bruge maskinværktøj, hvis du er træt eller påvirket af narkotika, alkohol eller medicin.** Et øjeblik uopmærksomhed, mens du betjener maskinværktøj, kan medføre alvorlig personskade.
- **Brug personlige værnemidler. Brug altid beskyttelsesbriller.** Værnemidler som f.eks. støvmaske, skridsikre sikkerhedssko, beskyttelseshjelm eller høreværn, der anvendes under de rigtige forhold, reducerer personskader.
- **Forebyg utilsigtet start. Sørg for, at kontakten står på slukket (OFF), før du tilslutter værktøjet til en strømkilde og/eller et batteri, når du samler værktøjet op eller bærer det.** At bære maskinværktøj med din finger på kontakten, eller mens der tilføres strøm til maskinværktøj, som er tændt, indbyder til ulykker.
- **Fjern eventuelle justeringsnøgler eller skruenøgler, før maskinværktøjet tændes.** En skruenøgle eller en nøgle, som efterlades på et maskinværktøjs roterende del, kan resultere i personskade.
- **Stræk dig ikke for langt frem. Sørg altid for at have et sikkert fodfæste og i stand til at holde balancen.** Så har du bedre styr på maskinværktøjet i uventede situationer.
- **Brug passende beklædning. Du må hverken have smykker på eller være iført løstsiddende tøj. Hold hår og beklædning væk fra bevægelige dele.** Løstsiddende tøj, smykker eller langt hår kan blive viklet ind i dele i bevægelse.

- **Hvis der anvendes anordninger til tilslutning af støvudsugnings- og opsamlingsfaciliteter, skal du sikre, at de tilsluttes og bruges korrekt.** Brug af støvopsamling kan reducere støvrelaterede farer.
- **Pas på, at kendskab som følge af hyppig brug af værktøjet ikke gør dig for sikker på dig selv, så du ignorerer sikkerhedsprincipperne.** Uforsigtige handlinger kan forårsage alvorlige læsioner i brøkdelen af et sekund.
- **Værktøjet skal holdes i de isolerede gribeblader, når der udføres arbejde, hvor befæstelselementer kan komme i kontakt med skjulte ledningsnet.** Befæstelser, der kommer i kontakt med en strømførende ledning, kan gøre afdækkede metaldele på værktøjet strømførende, hvilket kan give operatøren elektrisk chok

Brug og vedligeholdelse af maskinværktøj

- **Undlad at bruge magt på maskinværktøjet. Brug det korrekte maskinværktøj til dit arbejde.** Det rigtige maskinværktøj vil gøre arbejdet bedre og mere sikkert til den hastighed, som det er designet til.
- **Undlad at bruge maskinværktøjet, hvis kontakten ikke tænder eller slukker det.** Ethvert maskinværktøj, som ikke kan styres med kontakten, er farligt og skal repareres.
- **Tag stikket ud af stikkontakten, og/eller afbryd batteriet fra maskinværktøjet, hvis aftageligt, før du foretager justeringer, skifter tilbehør eller lægger maskinværktøjet til opbevaring.** Sådanne forebyggende sikkerhedsforanstaltninger reducerer risikoen for at starte maskinværktøjet ved et uheld.
- **Opbevar ubenyttet maskinværktøj uden for børns rækkevidde, og lad ikke personer, som mangler kendskab til maskinværktøj eller disse instruktioner, betjene maskinværktøjet.** Maskinværktøj er farligt i hænderne på uerfarne brugere.
- **Vedligehold maskinværktøj og tilbehør. Kontrollér for skæv opstilling af bevægelige dele, brud på dele og alle andre forhold, som kan påvirke maskinværktøjets drift. Hvis maskinværktøjet er beskadiget, skal det repareres før brug.** Mange ulykker skyldes dårligt vedligeholdt maskinværktøj.
- **Hold fræseværktøj skarpt og rent.** Korrekt vedligeholdt fræseværktøj med skarpe skærekanter binder mindre og er nemmere at styre.
- **Brug maskinværktøj, tilbehør og værktøjsbits osv. i overensstemmelse med disse instruktioner og med hensyntagen til arbejdsforholdene og det arbejde, der skal udføres.** Brug af maskinværktøj til andre formål, end de formål, det er beregnet til, kan føre til farlige situationer.
- **Hold håndtag og gribeblader tørre, rene og olie- og fedtfrie.** Fedtede håndtag og gribeblader forhindrer sikker håndtering og kontrol over værktøjet i uventede situationer.

Brug og vedligeholdelse af værktøj med batteri

- **Må kun oplades med den oplader, der angives af producenten.** En oplader, der egner sig til én type batterier, kan skabe risiko for brand, når den anvendes til en anden type batterier.

- **Værktøjet må kun anvendes med de dertil beregnede batterier.** Hvis der anvendes andre batterier, kan det skabe risiko for kvæstelser og brand.
- **Når akkubatteriet ikke bruges, må det ikke opbevares sammen med metalgenstande såsom papirclips, mønter, nøgler, søm, skruer eller andre metalgenstande, som kan skabe forbindelse mellem polerne.** Kortslutning af batteriets poler kan give forbrændinger eller starte en brand.
- **Hvis batteriet misbruges, kan der slynges væske ud af batteriet. I så tilfælde skal man undgå kontakt med væsken. Hvis man kommer i kontakt med væsken, skal der skylles med vand. Hvis væsken kommer i øjnene, skal der desuden søges lægehjælp.** Væske, der slynges ud af batteriet, kan give irritation eller forbrændinger.
- **Hvis et batteri eller værktøj er beskadiget eller modificeret, må det ikke bruges.** Beskadigede eller modificerede batterier kan reagere uforudsigeligt og forårsage brand, eksplosion eller risiko for læsion.
- **Batteriet og værktøjet må ikke udsættes for ild eller høje temperaturer.** Hvis de udsættes for ild eller temperaturer over 130 °C, kan forårsage en eksplosion.
- **Følg alle opladningsanvisninger, og undlad at oplade batteriet eller værktøjet uden for det temperaturinterval, der anføres i vejledningen.** Forkert opladning eller ved temperaturer udenfor det anførte interval kan beskadige batteriet og øge risikoen for brand.

Serviceering

- **Få værktøjet efterset af en kvalificeret reparatør, der kun bruger identiske reservedele.** Dette vil sikre, at værktøjet forbliver sikkert at bruge.
- **Udfør aldrig service på beskadigede batterier.** Serviceering af batterier bør kun udføres af producenten eller dertil autoriserede serviceudbydere.

Produktspecifikke instrukser

Advarsel!

Nedsænk aldrig værktøj, akkubatteri eller oplader i væske, og pas på ikke at lade væske trænge ind i dem for at undgå risiko for brand, personskade og produktskade. Korroderende eller ledende væsker som f.eks. havvand, visse industrielle kemikalier og blegemiddel eller produkter med blegemiddel osv. kan forårsage en kortslutning.

Særlige forsigtighedsregler

- Maskinen må kun anvendes sammen med den tilknyttede momentreaktionsstang, som er tilpasset den berørte skrueløsløser.
- Brug dobbeltudløseren for at minimere risikoen for, at fingre eller hænder bliver fanget mellem reaktionsstangen og arbejdsområdet.

Generel installationssikkerhed

Lad kun kvalificeret personale udføre installation.

Hæng værktøjet sikkert op, f.eks. fra en balancer. Når der anvendes et ophængsåb, skal det kontrolleres, at dette er i god stand og korrekt fastgjort.

Slut altid systemet til en jordforbundet stikkontakt. Sørg altid for, at elstikket tages ud, og at styreenheden er slukket, før værktøjskablet sættes i eller tages ud.

Særlige forsigtighedsregler

ADVARSEL Faremoment: Knusning

Dobbeltudløseren tvinger brugeren til at bruge begge hænder, når værktøjet anvendes. Hvis ikke den bruges, kan operatøren ved et uheld starte værktøjet under justering af reaktionsstangen, hvilket kan medføre alvorlige personskader.

- ▶ Sørg for, at værktøjet ikke kan startes, når dobbeltudløseren er aktiveret.
- ▶ Afprøv altid værktøjet ved først at aktivere dobbeltudløserens udløser og derefter trykke på værktøjets udløser. Hvis værktøjet starter, stoppes arbejdet.

Generel betjeningsikkerhed

- **På grund af fare for sammenfiltring må der ikke bæres handsker.**
- **Vær forberedt på reaktionskraften, som forekommer, når værktøjet er i brug.** Sørg altid for, at værktøjets håndtag er sikret godt i den modsatte retning af spindlens omdrejningsretning for at reducere effekten af pludselig momentreaktion under den sidste stramning eller første løsning.
- **Hold aldrig i drivspindelen, fatningen eller drivforlængelsen.**
- **Brugere og reparationspersonale skal være fysisk i stand til at håndtere det elektriske værktøj med hensyn til omfang, vægt og kraft.**
- **Hvor muligt bruges en støttearm til at absorbere reaktionsmomentet.** Hvis dette ikke er muligt, anbefales det at bruge sidehåndtag til værktøj med lige hus og til værktøj med pistolgreb. Reaktionsstænger anbefales til vinkelskralder. Det anbefales at bruge et middel til at absorbere reaktionsmomentet over 4 Nm (3 lbf.ft) til værktøjer med lige huse, over 10 Nm (7,5 lbf.ft) til værktøjer med pistolgreb og over 60 Nm (44 lbf.ft) til vinkelskralder.
- **Over- eller underspændte fastgørelseselementer kan føre til alvorlig personskade.** Samlinger, der skal tilspændes med et særligt moment, skal kontrolleres ved hjælp af en momentmåler. Sådanne "klik" momentnøgler må ikke anvendes til at kontrollere for potentielt farlige, overspændte tilstande. Over- eller underspændte fastgørelseselementer kan gå i stykker, løsne sig eller gå fra hinanden. Løsgjorte dele kan udgøre projektiler.
- **Brug kun elektriske eller slagtopnøgler, som er i god stand.** Undlad at bruge manuelle topnøgler.
- **Når der anvendes elektrisk værktøj, vil brugeren muligvis føle ubehag i hænder, arme, skuldre, nakke eller andre dele af kroppen.** Skift mellem passende ar-

bejdsstillinger i løbet af arbejdsdagen, hav altid et godt fodfæste og undgå unaturlige arbejdsstillinger eller arbejdsstillinger, hvor du er ude af balance.

- **Gentagne arbejdsbevægelser, forkerte stillinger og udsættelse for vibrationer kan være skadeligt for hænder og arme.** Hvis der opstår følelseløshed, snurren eller smerter, eller huden bliver hvid, skal man ophøre med at bruge værktøjet med det samme og søge lægehjælp.
- **Udvis agtpågivenhed ved betjening på trange steder.** Pas på, at hænderne ikke knuses mellem værktøjet og emnet.
- **Høje støjniveauer kan forårsage permanent høretab.** Der skal altid bruges hørevern, som anbefalet af din arbejdsgiver eller i gældende bestemmelser for arbejdsmiljøet.
- **Sørg for, at arbejdsemnet sidder sikkert fast.**
- **Udvis forsigtighed i ukendte omgivelser.** Vær opmærksom på mulige faremomenter, der kan opstå som følge af arbejdets udførelse. Dette værktøj er ikke isoleret fra at komme i kontakt med elektriske strømkilder.

Værktøj, der bruges sammen med en momentreaktionsstang: Læg aldrig hånden på eller hold den i nærheden af momentreaktionsstangen når værktøjet er i brug. Vær opmærksom på spindelens omløbsretning inden aktivisering af værktøjet, da reaktionskraften kan virke i en uventet retning og således skabe risiko for kvæstelser.

Værktøj med kobling: Brug aldrig produktet uden at sikre, at koblingen slipper. Umiddelbart efter justering af koblingen skal du tjekke, at værktøjet fungerer korrekt

⚠ ADVARSEL Risiko for skader

Sørg for at bruge den rigtige parameterfil. En forkert parameterfil kan føre til for højt moment, hvilket resulterer i fysiske skader.

- ▶ Sammenlign det maksimale drejningsmoment, som er vist i kontrolenheden, med det maksimale drejningsmoment, der er opført i værktøjets tekniske data. De skal være ens.

Generelle anvisninger

Værktøjet må kun anvendes sammen med den tilknyttede momentreaktionsstang, som er tilpasset den berørte skruedelevs anvendelse.

⚠ ADVARSEL Faremoment: Knusning



Kontrollér værktøjets rotationsretning før start! Start i en uventet rotationsretning kan forårsage læsioner eller beskadigelse af ejendom. Bevægelige dele kan knuse og skære.

- ▶ Sørg for, at værktøjets rotationsretning er korrekt, før værktøjet startes.
- ▶ Hold hænder og fingre væk fra bevægelige dele.

Betjening af værktøjet

1. Saml modholdet i henhold til de sikkerhedsforskrifter som er angivet i dette dokument.
2. Monter på værktøjet i henhold til de sikkerhedsforskrifter som er angivet i dette dokument.
3. Indstil den korrekte tilstand med indstillingstasterne (4) og displayskærmen (3).
4. Vælg den rigtige retning med returknappen (6).
5. Placer værktøjet og modholdet (7) i henhold til de sikkerhedsforskrifter som er angivet i dette dokument.
6. Tryk på den første udløserknap (1), og hold den inde.
7. Tryk på den anden udløserknap (2), og hold den inde.
8. Bliv ved med at trykke på begge udløserknapper (1 og 2) så længe værktøjet betjenes.
9. Kontrollér driftsstatus på rapportlamperne (5). Grøn (Ok), Rød (NOK).

Batteri

Akkubatterier, der ikke har været brugt i nogen tid, skal genoplades før brug. Temperaturer over 50 °C (122°F) nedsætter batteriets ydelse. Undgå længere tids udsættelse for varme eller solskin (risiko for overopvarmning).

Kontakterne på både oplader og batteri skal holdes rene. For at opnå den optimale levetid skal batterierne oplades helt efter brug. For at opnå den længst mulige levetid for batteriet, skal det tages ud af opladeren, når det er helt opladet.

Akkubatteriet har overstrømsbeskyttelse, der beskytter det mod overstrøm og hjælpe med at sikre lang levetid. Under ekstrem belastning slukker batterielektronikken automatisk for produktet. Start igen ved at slukke produktet og tænde igen. Hvis produktet ikke starter igen, kan det være at akkubatteriet er blevet helt afladet. Hvis det er tilfældet, skal det genoplades i batteriladeren.

Vedligeholdelsesanvisninger

- **Følg de lokale miljøregler i dit land for sikker håndtering og bortskaffelse af alle komponenter.**
- Vedligeholdelses- og reparationsarbejde skal udføres af kvalificeret personale, som kun bruger originale reservedele. Kontakt fabrikanten eller din nærmeste autoriserede forhandler for rådgivning om teknisk service, hvis du skal bruge reservedele.
- Sørg altid for, at maskinen er frakoblet energikilden for at undgå utilsigtet betjening.
- Adskil og efterse værktøjet hver tredje måned, hvis det bruges hver dag. Udskift defekte eller slidte dele.
- Lad aldrig bremsevæsker, benzin, råoliebaserede produkter, gennemtrængende olier osv. få kontakt med plasticdele. Kemikalier kan beskadige, svække eller ødelægge plastic, hvilket kunne resultere i alvorlig personskade.
- Undgå anvendelse af opløsningsmidler ved rengøring af plasticdele. Der er risiko for beskadigelse af de fleste slags plastic ved brug af forskellige slags opløsningsmidler, der fås i handlen. Brug rene klude til at fjerne snavs, støv, olie, fedt osv.

Bortskaffelse

- Bortskaffelse af dette udstyr skal ske i henhold til lovgivningen i det pågældende land.
- Alle beskadigede, slidte eller ukorrekt fungerende enheder **SKAL TAGES UD AF DRIFT**.

Symboler og mærkater

Produktet er monteret med skilte og mærkater med vigtig information om din personlige sikkerhed og vedligeholdelse af produktet. Skiltene og mærkaterne skal altid være nemme at læse. Nye skilte og mærkater kan bestilles på reservedelslisten.



s011050

Symboler



Fjern batteriet før påbegyndelse af arbejde på maskinen.



Læs vejledningen grundigt før start af maskinen.



Elektriske værktøjer må ikke kasseres sammen med husholdningsaffald. Elektriske værktøjer og elektronisk udstyr, hvis levetid er udløbet, skal indsamles separat og returneres til et genindvindingsanlæg af hensyn til miljøet. Tjek hos de lokale myndigheder, eller bed sælgeren om henvisning til et genindvindingsanlæg.



Brug altid sikkerhedsbriller, når du bruger maskinen.

n_0 Tomgangshastighed.

V Volt

min^{-1} pr. minut



Jævnstrøm



Forsigtig: Advarsel! FARE!

Nyttig information

Website

Information om vores produkter, tilbehør, reservedele og publikationer kan findes på vores websted for Chicago Pneumatic.

Gå ind på: www.cp.com.

Oprindelsesland

HUNGARY

SSSSikkerhedsdatablad

Sikkerhedsdatabladet indeholder beskrivelser af kemiske produkter leveret af Chicago Pneumatic.

Se websiden tilhørende Chicago Pneumatic for yderligere oplysninger på qr.cp.com/sds.

Copyright

© Copyright 2022, CHICAGO PNEUMATIC Tool Co.LLC, 1815 Clubhouse Road, Rock Hill, SC 29730 - USA

Alle rettigheder forbeholdes. Al uautoriseret brug eller kopiering af indholdet eller dele deraf er forbudt. Dette gælder især varemærker, modelbetegnelser, reservedelsnumre og tegninger. Brug kun autoriserede reservedele. Al skade eller fejlfunktion som følge af brug af uautoriserede dele dækkes hverken af garantien eller produktansvaret.

Tekniske data

Produktbeskrivelse

Vennligst se illustrationen 2: Produktbeskrivelse

- 1 Andre udløser
- 2 Hovedudløser
- 3 Displayskjerme
- 4 Innstillingsknapper
- 5 Rapporterings LED-er
- 6 Reverseringsknapp
- 7 Reaksjonsstang s-type (leveres med værktøyet)

Erklæringer

EU-SAMSVARERKLÆRING

Vi, **CHICAGO PNEUMATIC Tool Co.LLC**, 1815 Clubhouse Road, Rock Hill, SC 29730 - USA, erklærer på vårt eneansvar at vårt produkt (med type- og serienummer, se forsiden) er i samsvar med de følgende direktiv(er):

2006/42/EC; 2011/65/UE; 2014/53/UE

Benyttede harmoniserte standarder: EN 62841-2-2:2014 + AC1:2015; EN 55014-1:2017+11:2020; EN 55014-2:2015; EN 61000-6-2:2019; EN 61000-6-3:2007 + A1:2011; EN 300328V222; EN 301489-17V324; EN 301489-1V223; EN 62311:2008; EN 62479:2010

Myndigheter kan be om relevant teknisk informasjon fra: Pascal Roussy, R&D Manager, Ets Georges Renault, 38 rue Bobby Sands, BP10273 44818 Saint Herblain, France
Saint-Herblain, 2022/01/26

Pascal ROUSSY

Utstederens signatur

Erklæring om støy- og vibrasjonsdemping

- Lydtrykknivå < 72 dB(A), usikkerhet 3 dB(A), i samsvar med EN 62841-2-2:2015.

- Lydeffektnivå < 83 dB(A), usikkerhet 3 dB(A), i samsvar med EN 62841-2-2:2015.
- Total vibrasjonsverdi < 2.5 m/s², usikkerhet 3 m/s², i samsvar med EN 62841-2-2:2015.

Disse erklærte verdiene er fremkommet under laboratorietesting i samsvar med angitte standarder og er egnet for sammenligning med de erklærte verdiene for andre verktøy testet i samsvar med de samme standardene. Disse erklærte verdiene er ikke tilstrekkelige for bruk i risikovurderinger, og verdier målt på individuelle arbeidsplasser kan være høyere. De faktiske eksponeringsverdiene og risikoen ved fare som den enkelte bruker opplever, er unike og avhenger av måten brukeren arbeider, arbeidsemnet og utformingen av arbeidsplassen samt eksponeringstid og brukerens fysiske tilstand.

Vi, **CHICAGO PNEUMATIC Tool Co.LLC**, kan ikke holdes ansvarlig for konsekvensen å bruke de erklærte verdiene, i stedet for verdier som reflekterer den faktiske eksponering, i en individuell risikovurdering i en arbeidssituasjon som vi ikke har noen kontroll over.

Dette verktøyet kan forårsake hånd-arm-vibrasjonssyndrom hvis det ikke håndteres riktig. En EU-veiledning for å administrere hånd-/armvibrasjon kan bli funnet ved å gå på <http://www.pneurop.eu/index.php> og velge «Tools» og deretter «Legislation».

Vi anbefaler at bedriftshelsetjenesten gjennomfører et program for å avdekke tidlige tegn på vibrasjonseksponering, slik at prosedyrene kan endres for å bidra til å unngå fremtidig svekkelse.

- ⓘ Dette utstyret er ment for faste applikasjoner: Støyemisjonen gis som en veiledning for maskinbyggingen. Støy- og vibrasjonemisjonsdata for den fullstendige maskinen skal gis i instruksjonshåndboken for maskinen.

Trådløs kommunikasjon spesifikasjoner

BLUETOOTH LOW ENERGY 4.2®

Frekvens: 2 400 MHz – 2 483,5MHz

EIRP: <10 dBm

Bluetooth®-ordmerket og -logoene er registrerte varemerker som eies av Bluetooth SIG, Inc

Regionale krav

⚠ ADVARSEL

Dette produktet kan utsette deg for kjemikalier inkludert bly, noe den amerikanske staten California regner som kreftfremkallende, som årsak til fosterskader og på andre måter som skadelig for forplantningsprosessen. For mer informasjon besøk

<https://www.p65warnings.ca.gov/>

Sikkerhet

KAST IKKE BORT - GI TIL BRUKER

⚠ ADVARSEL Les alle sikkerhetsadvarslene, instruksjoner, illustrasjoner og spesifikasjoner som medfølger dette produktet.

Dersom du ikke følger instruksjonene under, kan det føre til elektrisk støt, brann og/eller alvorlige skader.

Ta vare på alle advarsler og anvisninger for fremtidig bruk.

⚠ ADVARSEL Alle lokale, lovbestemte sikkerhetsregler vedrørende installasjon, operasjon og vedlikehold skal overholdes til enhver tid.

Brukserklæring

- Kun til profesjonell bruk.
- Dette produktet og dets tilbehør må ikke på noen måte modifiseres.
- Ikke bruk dette produktet hvis det har blitt skadet.
- Dersom dataverktøyet eller farevarselskiltene på produktet ikke lenger er leselige eller løsner, må disse skiftes ut umiddelbart.
- Produktet må kun installeres, brukes og vedlikeholdes av en kvalifisert person i et industrielt monteringsmiljø.

Tiltenkt bruk

Dette produktet er kun beregnet brukt av vokse som har lest og forstått instruksjonene og advarslene i denne manualen, og som kan anses å være ansvarlige for sine handlinger.

- Dette produktet er designet for å installere og fjerne gjengede festeinnretninger i tre, metall eller plast.
- Kun til innendørs bruk.
- Ikke benytt produktet til andre formål enn beskrevet ovenfor.
- Ingen annen bruk er tillatt

Anbefalte batterier

8940176068: CP36XP25

Anbefalt lader

8940176069: CP18-36CH

Weldox-reaksjonshåndtak

Bruk reaksjonsstang (7) levert med verktøyet. For andre modeller referert til dokumentreferanse for reaksjonsstangen 6159923710

Generelle sikkerhetsadvarsler for elektriske verktøy

⚠ ADVARSEL Les alle sikkerhetsadvarslene, instruksjoner, illustrasjoner og spesifikasjoner som medfølger dette produktet.

Dersom du ikke følger instruksjonene under, kan det føre til elektrisk støt, brann og/eller alvorlige skader.

Ta vare på alle advarsler og anvisninger for fremtidig bruk.

Begrepet "elektrisk verktøy" i advarslene henviser til det nettstrømdrevne (kablede) elektriske verktøyet eller det batteridrevne (kableløse) elektriske verktøyet.

Arbeidsområdets sikkerhet

- **Hold arbeidsområdet rent, ryddig og godt belyst.** Overfylte eller mørke områder kan lede til ulykker.
- **Ikke bruk elektriske verktøy i områder hvor det er eksplosjonsfare som f.eks. ved brannfarlige væsker, gasser eller støv.** Elektriske verktøy danner gnister som kan antenne støv eller damp.
- **Hold avstand til barn og andre personer når du bruker et elektrisk verktøy.** Forstyrrelser kan føre til at du mister kontrollen.

Elektrisk sikkerhet

- **Støpslene til elektriske verktøy må tilsvare uttaket.** Støpselet skal aldri modifiseres på noen måte. **Bruk ikke adapterstøpsler med jordede elektriske verktøy.** Umodifiserte støpsler og samsvarende uttak vil redusere faren for elektrisk støt.
- **Unngå kroppskontakt med jordete overflater som rør, radiatorer, komfyrer og kjøleskap.** Det er økt fare for elektrisk støt hvis kroppen din er jordnet.
- **Utsett ikke elektrisk verktøy for regn eller våte forhold.** Vann som kommer inn i elektrisk verktøy, vil øke faren for elektrisk støt.
- **Håndter ikke ledningen uforsiktig. Bruk aldri ledningen til å bære eller trekke verktøyet eller til å trekke støpselet ut fra stikkontakten. Hold ledningen unna varme, olje, skarpe kanter og bevegelige deler.** Skadede eller sammenviklede ledninger øker faren for elektrisk støt.
- **Ved bruk av et elektrisk verktøy utendørs må du benytte en skjøteledning som egner seg til utendørs bruk.** Bruk av en ledning som egner seg for utendørs bruk reduserer faren for elektrisk støt.
- **Hvis det ikke er mulig å unngå å bruke et elektrisk verktøy på en fuktig plass, bruk en reststrømsenhetsikret (RCD) forsyning.** Bruk av en RCD reduserer faren for elektrisk støt.

Personlig sikkerhet

- **Vær oppmerksom, følg med på hva du gjør og bruk fornuft når du bruker et elektrisk verktøy. Betjen aldri et elektrisk verktøy hvis du er trøtt eller påvirket av narkotika, alkohol eller medisiner.** Et øyeblikks uoppmerksomhet ved betjening av elektriske verktøy kan føre til alvorlig personlig skade.
- **Bruk personlig verneutstyr. Bruk alltid øyevern.** Personlig verneutstyr, slik som støvmaske, sklisliske sikkerhetssko, hjelm eller hørselvern som brukes til riktige forhold, vil redusere personlige skader.
- **Forhindre utilsiktet oppstart. Se til at bryteren er i av-stillingen før tilkobling til strømkilden og/eller batteripakken, før du løfter opp eller bærer verktøyet.** Det å bære elektriske verktøy med fingeren på bryteren eller strømføre elektriske verktøy med bryteren på, inviterer til ulykker.

- **Fjern enhver justeringsnøkkel eller skiftenøkkel før det elektriske verktøyet slås på.** En skiftenøkkel eller nøkkel som er festet til en roterende del av det elektriske verktøyet kan føre til personlig skade.
- **Ikke strekk deg for langt. Sørg for at du alltid har godt fotfeste og balanse.** Dette gir bedre kontroll over det elektriske verktøyet i uventede situasjoner.
- **Bruk egnede klær. Ikke bruk løstsittende klær eller smykker. Hold hender og klær borte fra bevegelige deler.** Løse klær, smykker eller langt hår kan fanges i bevegelige deler.
- **Hvis enhetene er utstyrt for tilkobling av støvuttrekings- og oppsamlingsfasiliteter, se til at disse er tilkoblet og brukes riktig.** Bruk av støvoppsamling kan redusere støvrelaterte farer.
- **Ikke la erfaring som er vunnet gjennom hyppig bruk av verktøy la deg bli ukritisk og ignorerer verktøyets sikkerhetsprinsipper.** En uforsiktig handling kan forårsake alvorlige personskader innen en brøkdel av et sekund.
- **Hold det elektriske verktøyet etter de isolerte gripeoverflatene når du utfører en operasjon der tiltrekkingsenheter kan kontakte skjult kabling.** Tiltrekkingsenheter som kommer i berøring med en strømførende kabel, kan gjøre eksponerte metalldele på det elektriske verktøyet strømførende og gi operatøren et elektrisk støt.

Bruk og pleie av elektrisk verktøy

- **Ikke bruk makt på det elektriske verktøyet. Bruk riktig elektrisk verktøy for applikasjonen.** Det riktige elektriske verktøyet vil gjøre en bedre jobb og være tryggere i den hastigheten det ble utformet til.
- **Ikke bruk det elektriske verktøyet hvis bryteren ikke slås på og av.** Ethvert elektrisk verktøy som ikke kan kontrolleres med bryteren, er farlig og må repareres.
- **Koble støpselet fra strømkilden og/eller batteripakken, hvis avtakbart, fra det elektriske verktøyet før du foretar noen justeringer av, skifter tilbehør på eller oppbevarer elektriske verktøy..** Slike forebyggende sikkerhetstiltak reduserer faren for å starte det elektriske verktøyet utilsiktet.
- **Oppbevar elektriske verktøy i tomgang utilgjengelig for barn og ikke la personer som ikke er kjent med det elektriske verktøyet eller disse anvisningene bruke det elektriske verktøyet.** Elektriske verktøy er farlige i hendene på uopplærte brukere.
- **Vedlikehold av elektrisk verktøy og tilbehør. Kontroller for feiljustering eller binding av bevegelige deler, ødelagte deler og andre tilstander som kan påvirke driften av det elektriske verktøyet. Hvis det er skadet, skal det elektriske verktøyet repareres før bruk.** Mange ulykker forårsakes av dårlig vedlikeholdte elektriske verktøy.
- **Hold kutteverktøy skarpe og rene.** Tilstrekkelig vedlikeholdte kutteverktøy med skarpe kuttekanter setter seg mindre fast og er lettere å kontrollere.
- **Bruk det elektriske verktøyet, tilbehøret og verktøydelenene osv. i overensstemmelse med disse anvisningene, ta med i betraktningen arbeidsforholdene og**

arbeidet som skal utføres. Anvendelse av elektriske verktøy til annen bruk enn det de er beregnet til kan føre til en farlig situasjon.

- **Hold håndtak og gripeoverflater tørre, rene og fri fra olje og fett.** Glatte håndtak og gripeoverflater gjør det ikke mulig med sikker håndtering og kontroll av verktøyet i uventede situasjoner.

Bruk og pleie av batteriverktøy

- **Lad kun opp med den laderen som er spesifisert av produsenten.** En lader som egner seg for en type batteripakke kan utgjøre brannfare ved bruk med en annen batteripakke.
- **Elektriske verktøy skal kun brukes med de spesialdesignede batteripakkene.** Bruk av andre batteripakker kan utgjøre en risiko for skade og brann.
- **Når batteripakken ikke er i bruk, skal den holdes på avstand fra andre metallgjenstander, slik som binders, mynter, nøkler, spikre, skruer eller andre små metallgjenstander, som kan skape en forbindelse fra én terminal til den andre.** Kortslutning av batteriterminalene kan forårsake forbrenninger eller brann.
- **Ved misbruk kan det støtes ut væske fra batteriene, unngå kontakt med denne. Hvis det oppstår kontakt ved uhell, skyl med vann. Hvis du får væske i øynene, oppsøk i tillegg lege.** Væske som støtes ut fra batteriet kan forårsake irritasjon eller forbrenninger.
- **Ikke bruk en batteripakke eller verktøy som er skadet eller modifisert.** Skadede eller modifiserte batterier kan utvise uforutsigbar adferd som fører til brann, eksplosjon eller fare for personskade.
- **Ikke utsett en batteripakke eller verktøy for brann eller for høy temperatur.** Eksponering til ild eller temperaturer over 130 °C kan føre til eksplosjon.
- **Følg alle ladeanvisninger og ikke lad batteripakken eller verktøyet utenfor temperaturområdet som er spesifisert i anvisningene.** Feil lading eller ved temperaturer utenfor det spesifiserte området kan skade batteriet og øke brannfaren.

Vedlikehold

- **Få utført service på det elektriske verktøyet av en kvalifisert reparasjonsperson som kun bruker identiske reservedeler.** Dette vil sørge for å opprettholde sikkerheten til det elektriske verktøyet.
- **Utfør aldri service på skadede batteripakker.** Service på batteripakker skal kun utføres av produsenten eller autoriserte serviceleverandører.

Produktspesifikke instruksjoner

Advarsel!

For å redusere risiko for brann, personskade og produktskade grunnet kortslutning, må aldri verktøyet, batteripakken eller laderen senkes i væske eller på annen måte få flytende væske inn i seg. Etsende eller ledende væsker, slik som sjøvann, visse industrielle kjemikalier, blekemidler eller produkter som inneholder blekemidler osv. kan forårsake kortslutning.

Spesielle forholdsregler

- Maskinen skal kun brukes sammen med den tilhørende momentreaksjonsstangen, som er festet til den aktuelle skrueleddapplikasjonen.
- Bruk dobbeltutløser for å minimere risikoen for at fingre eller hender setter seg fast mellom reaksjonsstangen og arbeidsstykket.

Generell installasjonssikkerhet

Bruk bare kvalifisert personell ved installasjon.

Heng opp verktøyet på sikker måte, for eksempel fra en balansehet. Hvis det brukes opphengningsåk må det sjekkes at det er i god stand og skikkelig festet.

Koble alltid systemet til et jordet strømuttak. Se alltid til at strømstøpselet er frakoblet og kontrollere er slått av før tilkobling eller frakobling av verktøykabler.

Spesielle forholdsregler

ADVARSEL Knusefare

Dobbeltutløseren er en sikkerhetsinnretning som tvinger brukeren til å benytte begge hender for å betjene verktøyet. Hvis den ikke brukes kan brukeren ved et uhell starte verktøyet ved justering av reaksjonsstangen, noe som kan føre til alvorlig håndskade.

- ▶ Sørg for at verktøyet ikke kan startes når dobbeltutløseren er utløst.
- ▶ Test alltid verktøyet først ved å slippe utløseren på dobbeltutløseren, trykk så på verktøyets utløser. Stopp arbeidet dersom verktøyet starter.

Generell Driftssikkerhet

- **Ikke bruk hansker, på grunn av risiko for sammenfiltring.**
- **Vær forberedt på reaksjonskraften som oppstår når verktøyet brukes.** Håndtaket på verktøyet skal alltid støttes forsvarlig i motsatt retning til spindelrotasjonen for å redusere effekten av plutselig tiltrekkingsmoment under slutt-tiltrekking og på begynnelsen når festeanordninger blir løsnet på.
- **Hold aldri drevet, sokkelen eller drevutvidelsen.**
- **Operatører og vedlikeholdspersonell må være i fysisk stand til å behandle størrelsen, vekten og styrken av verktøyet.**
- **Hvis det er mulig, bruk en opphengsarm til å absorbere reaksjonsmomentet.** Hvis det ikke er mulig, anbefales sidehåndtak for retthusede verktøy og verktøy med pistolgrep; reaksjonsstenger anbefales for vinkelskiftene. I alle tilfeller anbefales det å bruke et middel til å absorbere reaksjonsdreiemomentet over 4 Nm (3 lbf.ft) for retthusede verktøy, over 10 Nm (7,5 lbf.ft) for verktøy med pistolgrep, og over 60 Nm (44 lbf.ft) for vinkelskiftene.
- **Overtiltrukne eller undertiltrukne festeanordninger kan medføre alvorlig skade.** Montasjer som trenger et spesifikt tiltrekkingsmoment, skal sjekkes ved å bruke en momentmåler. Momentnøkler med "klikk" kan ikke brukes til å sjekke en potensielt farlig tilstand

hvor det er for høyt tiltrekkingsmoment. Overtiltrukkede eller undertiltrukkede festeanordninger kan brette, løse eller dele seg. Montasjer som er skrudd løs, kan bli til prosjektiler.

- **Bruk kun hylser beregnet til elektroverktøy eller hylser beregnet til industrielt slagverktøy som er i god stand.** Bruk ikke hylser beregnet for tiltrekking med håndverktøy.
- **Ved bruk av et elektrisk verktøy til å utføre arbeid-srelaterte aktiviteter kan operatøren oppleve ubehag i hender, armer, skuldre, nakke eller andre deler av kroppen.** Varier mellom egnede stillinger gjennom hele arbeidsdagen, hold et stødig fotfeste og unngå unaturlige eller ubalanserte stillinger.
- **Gjentatte arbeidsbevegelser, ubehagelige stillinger og utsettelse for vibrering kan være skadelig for hender og armer.** Hvis det oppstår nummenhet, prikking, smerte eller fargetap i huden, skal du slutte å bruke verktøyet og kontakte lege.
- **Vær forsiktig når du arbeider i trange rom.** Pass på at du ikke klemmer hendene mellom maskinen og emnet.
- **Høye lydnivåer kan forårsake varig hørselstap.** Bruk hørselsvern som anbefalt av arbeidsgiver eller helse- og sikkerhetsforskrifter på arbeidsplassen.
- **Se til at arbeidsstykket er godt festet.**
- **Gå varsomt frem i uvante omgivelser.** Vær oppmerksom på eventuelle farer som skapes av arbeidsaktiviteten. Dette verktøyet er ikke isolert mot å komme i kontakt med elektriske strømkilder.

Verktøy brukt sammen med en reaksjonsstang: Før aldri hånden din i nærheten av reaksjonsstangen mens verktøyet brukes. Vær klar over rotasjonsretningen på spindelen før start av verktøyet, reaksjonskraften kan virke i en uventet retning med fare for knuseskader.

Verktøy som inneholder en clutch: Bruk aldri produktet uten å sørge for at clutchen frigis. Pass på at verktøyet fungerer riktig etter justering av clutchen.

ADVARSEL Fare for personskade

Forsikre deg om at den riktige parameterfilen brukes. Feil parameterfil kan forårsake for høyt dreiemoment med kroppsskade som et resultat.

- ▶ Sammenlign maksimalt dreiemoment som vises i kontrolleren, med det maksimale dreiemomentet som er angitt i de oppgitte tekniske dataene for verktøyet, de bør være de samme.

Generelle instruksjoner

Verktøyet skal kun brukes sammen med den tilhørende momentreaksjonsstangen, som er festet til den aktuelle skrueladdapplikasjonen.

ADVARSEL Fare for knusing



Foreta en kontroll av rotasjonsretningen til verktøyet før start! En start i en uventet rotasjonsretning kan forårsake personskade eller materielle skader. Bevegelige deler kan klemme og kutte.

- ▶ Se til at rotasjonsretningen til verktøyet er riktig før start av verktøyet.
- ▶ Hold hender og fingre borte fra bevegelige deler.

Drift av verktøyet

1. Monter reaksjonsstangen etter sikkerhetsinstruksjonene beskrevet i dette dokumentet.
2. Monter verktøyet med en passende stikkontakt i henhold til sikkerhetsinstruksjonene som er beskrevet i dette dokumentet.
3. Still inn riktig modus ved hjelp av innstillingsknappene (4) og displayskjermen (3).
4. Velg riktig retning ved hjelp av reverseringsknappen (6).
5. Plasser verktøyet og reaksjonsarmen (7) ved å følge sikkerhetsinstruksjonene beskrevet i dette dokumentet.
6. Trykk og hold trykket på den andre utløseren (1).
7. Trykk på slutt for å holde presset på hovedutløseren (2).
8. Hold utløsertrykket (1 og 2) til slutten av operasjonen.
9. Kontroller driftsstatus på rapporterings LED-er (5). Grønn (Ok), Rød (NOk).

Batteri

Batteripakker som ikke er benyttet på en stund må lades opp før bruk.

Temperaturer som overstiger 50°C (122°F) reduserer batteripakkens ytelse. Unngå omfattende eksponering for varme eller sol (risiko for overoppheting).

Kontaktene til ladere og batteripakker må holdes rene. For optimal levetid må batteripakkene full-lades etter bruk. For å oppnå lengst mulig levetid på batteriet, fjernes batteripakken fra laderen når det er fulladet.

Batteripakken har en overbelastningsbeskyttelse som beskytter den fra overbelastning og hjelper med å sikre et langt bruksliv. Under ekstreme påkjenninger kan batteri-elektronikken automatisk slå av produktet. For omstart må produktet slås av og så på igjen. Dersom produktet ikke starter opp igjen, kan det være batteripakken har blitt fullstendig utladet. Dersom dette er tilfelle må den lades opp i batteriladeren.

Vedlikeholdsinstrukser

- Følg landets lokale miljøregler for sikker håndtering og destruksjon av alle komponenter.

- Vedlikehold og reparasjonsarbeid må kun utføres av kvalifisert personell som kun benytter originale reservedeler. Kontakt produsenten eller din nærmeste autoriserte forhandler for veiledning eller teknisk service dersom du trenger reservedeler.
- Sørg alltid for at maskinen er frakoblet strømtilførselen for å unngå driftsulykker.
- Demonter og inspiser verktøyet hver 3. måned hvis verktøyet brukes hver dag. Erstatt skadede eller slitte deler.
- Ikke la bremsevæske, bensin, petroleumsbaserte produkter, penetrerende oljer e.l. på noe tidspunkt komme i kontakt med plastikkdelene. Kjemikalier kan skade, svekke eller ødelegge plastikk, noe som kan føre til alvorlig personskaade.
- Unngå bruk av løsemidler ved rengjøring av plastikkdelene. Det meste av plastikk er disponert for skade fra forskjellige typer kommersielle løsemidler, og kan bli skadet av slik bruk. Bruk rene kluter for fjerning av smuss, støv, olje, fett osv.

Avhending

- Avhending av dette utstyret må gjøres i henhold til nasjonale lover i gjeldende land.
- Alle skadede, utslitte eller dårlig fungerende enheter **MÅ TAS UT AV BRUK.**

Tegn og klistremerker

Produktet er montert med skilt og klistremerker som inneholder viktig informasjon om personlig sikkerhet og produktvedlikehold. Skilt og klistremerker skal alltid være enkle å lese. Nye skilt og klistremerker kan bestilles ved bruk av reservedelslisten.



s011050

Symboler



Fjern batteripakken før arbeidet startes på maskinen.



Vennligst les instruksjonene nøye før maskinen startes.



Ikke avhende elektrisk verktøy sammen med husholdningsavfallet. Elektrisk verktøy og elektronisk utstyr som har nådd sin brukstid må innleveres separat og returneres til et miljøvennlig resirkuleringsanlegg. Kontakt dine lokale myndigheter eller leverandør for informasjon om resirkulering og resirkuleringsanlegg.



Ha alltid på briller når maskinen brukes.

n₀

Hastighet uten belastning.

V

Volt

min⁻¹

pr. minutt



Likestrøm



FORSIKTIG! ADVARSEL! FARE!

Nyttig informasjon

Nettsider

Du finner informasjon vedrørende produkter, tilbehør, reservedeler og publiserte saker på Chicago Pneumatic-nettsidet.

Besøk siden: www.cp.com.

Opphavsland

HUNGARY

Sikkerhetsdatablad

Sikkerhetsdatabladet beskriver de kjemiske produktene solgt av Chicago Pneumatic.

Vennligst se Chicago Pneumatic nettsider for mer informasjon qr.cp.com/sds.

Opphavsrett

© Copyright 2022, CHICAGO PNEUMATIC Tool Co.LLC, 1815 Clubhouse Road, Rock Hill, SC 29730 - USA

Alle rettigheter forbeholdes. All uautorisert bruk eller kopiering av innholdet eller en del av dette er forbudt. Dette gjelder spesielt for varemerker, modellbetegnelser, delenumre og tegninger. Bruk kun autoriserte deler. Skader eller feilfunksjoner som forårsakes av bruk av uautoriserte deler, dekkes ikke av garantien eller produktansvaret.

Tekniset tiedot

Tuotekuvaus

Katso kuva 2: Tuotekuvaus

- 1 Toinen liipaisin
- 2 Ensisijainen liipaisin
- 3 Näyttöruutu
- 4 Asetuspainikkeet
- 5 Raportoinnin LEDit
- 6 Suunnanvaihtopainike
- 7 Reaktiotangon s-tyyppi (toimitetaan työkalun mukana)

Vakuutukset

EU-

VAATIMUSTENMUKAISUUSVAKUUTUS

Me, CHICAGO PNEUMATIC Tool Co.LLC, 1815 Clubhouse Road, Rock Hill, SC 29730 - USA, vakuutamme vastuullisesti, että tuote (nimi, tyyppi ja sarjanumero, katso etusivu) on yhdenmukainen seuraavien direktiivien kanssa: 2006/42/EC; 2011/65/UE; 2014/53/UE

Sovelletut yhdenmukaistetut standardit: EN 62841-2-2:2014 + AC1:2015; EN 55014-1:2017+11:2020; EN 55014-2:2015; EN 61000-6-2:2019; EN 61000-6-3:2007 + A1:2011; EN 300328V222; EN 301489-17V324; EN 301489-1V223; EN 62311:2008; EN 62479:2010

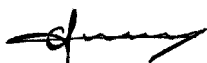
Viranomaiset voivat pyytää asiaan liittyvät tekniset tiedot seuraavasta osoitteesta:

Pascal Roussy, R&D Manager, Ets Georges Renault, 38 rue Bobby Sands, BP10273 44818 Saint Herblain, France

Saint-Herblain, 2022/01/26

Pascal ROUSSY

Ilmoittajan allekirjoitus



Melu- ja värinädirektiivin selonteko

- Äänenpainetaso < 72 dB(A) , mittausepävarmuus 3 dB(A), EN 62841-2-2:2015 -standardin mukaisesti.
- Äänentehotaso < 83 dB(A) , mittausepävarmuus 3 dB(A), EN 62841-2-2:2015 -standardin mukaisesti.
- Kokonaistärinäntaso < 2.5 m/s², mittausepävarmuus 3 m/s², EN 62841-2-2:2015 -standardin mukaisesti.

Nämä ilmoitetut arvot saatiin laboratoriotyypissä testeissä mainittujen standardien mukaisesti. Arvot soveltuvat vertailuun toisten testattujen työkalujen vastaavien arvojen kanssa, kun testaus on tehty samojen standardien puitteissa. Ilmoitetut arvot eivät ole riittäviä riskianalyysojen tekemiseen, ja yksittäisistä työpisteistä mitatut arvot saattavat olla tässä ilmoitettuja arvoja korkeampia. Hetkelliset altistusarvot ja yksittäisen käyttäjän vahingoittumisriski ovat ainutkertaisia ja ne riippuvat siitä, miten käyttäjä työskentelee, mitä hän työstää, miten työpiste on suunniteltu, miten pitkään hän altistuu ja siitä, millaisessa fyysisessä kunnossa käyttäjä on.

Me **CHICAGO PNEUMATIC Tool Co.LLC**, emme ole vastuussa ilmaistujen arvojen käytöstä syntyvistä seuraamusista todellista altistumista vastaavien arvojen sijaan työpaikan tilanteen yksittäisessä riskiarvioinnissa, jota emme voi hallita.

Tämä työkalu voi aiheuttaa käsien ja käsivarsien täriseistä, jos sitä ei käytetä oikealla tavalla. Käsitärinän hallintaa koskeva EU-opas löytyy osoitteesta <http://www.pneurop.eu/index.php>. Valitse "Työkalut" ja sen alta kohta "Lainsäädäntö".

Suosittamme säännöllisiä terveystarkastuksia värinäaltistuksen aiheuttamien, värinänsairauten viittaavien oireiden havaitsemiseksi ajoissa, jotta työohjauksella ja työympäristöön vaikuttavilla toimilla voidaan estää oireiden paheneminen tulevaisuudessa.

- i** Jos tämä laite on tarkoitettu kiinteisiin sovelluksiin: Melupäästöarvot ovat ohjeellisia koneenrakentajaa varten. Koko koneen melu- ja värinäpäästötiedot on ilmoitettava koneen käyttöohjeessa.

Langattoman yhteyden tekniset tiedot

BLUETOOTH LOW ENERGY 4.2®

Taajuus: 2 400–2 483,5 MHz

EIRP: <10 dBm

Bluetooth®-sanamerkki ja logot ovat Bluetooth SIG, Inc:n omistamia rekisteröityjä tavaramerkkejä

Alueelliset vaatimukset

⚠ VAROITUS

Tuote voi altistaa käyttäjän kemikaaleille, kuten lyijylle, jonka Kalifornian osavaltiossa tiedetään aiheuttavan syöpää ja synnynnäisiä epämuodostumia tai muuta lisääntymishaittaa. Katso lisätietoja osoitteesta

<https://www.p65warnings.ca.gov/>

Turvallisuus

ÄLÄ HÄVITÄ – ANNETTAVA KÄYTTÄJÄLLE

⚠ VAROITUS Lue tämän tuotteen mukana toimitetut kaikki turvallisuusvaroitukset, ohjeet, kuvaukset ja tekniset tiedot.

Jos kaikkia alapuolella kuvattuja ohjeita ei noudateta, seurauksena voi olla sähköisku, tulipalo, omaisuusvahinko ja/tai vakava henkilövahinko.

Säilytä kaikki varoitukset ja ohjeet myöhempää käyttöä varten.

⚠ VAROITUS Kaikkia paikallisia turvallisuusohjeita koskien asennusta, käyttöä ja huoltoa on aina noudatettava.

Käyttötiedote

- Vain ammattikäyttöön.
- Tätä tuotetta ja sen lisälaitteita ei saa muuttaa millään tavalla.
- Älä käytä tuotetta, jos se on vaurioitunut.
- Jos tuotteen tietojen tai vaarasta varoittavat kyltit eivät ole enää selvästi luettavissa tai irtoavat, ne on vaihdettava välittömästi.
- Vain pätevä henkilö saa asentaa, käyttää ja huoltaa tuotetta teollisuusympäristössä.

Tarkoituksenmukainen käyttö

Tuote on tarkoitettu ainoastaan vastuuntuntoisten aikuisten käyttöön. Käyttäjän tulee lukea ja ymmärtää tämän käyttöoppaan ohjeet ja varoitukset.

- Tämä laite on suunniteltu kierteitettyjen kiinnittimien asentamiseen puuhun, metalliin tai muoviin sekä irrottamiseen näistä materiaaleista.
- Vain sisäkäyttöön.
- Älä käytä tuotetta mihinkään muuhun kuin yllä kuvattuun tarkoitukseen.
- Muut käyttötavat ovat kiellettyjä

Suosittelut akut

8940176068: CP36XP25

Suositteltu laturi

8940176069: CP18-36CH

Suositteltu reaktiotanko

Käytä työkalun mukana toimitettua reaktiotankoa (7). Katso muiden mallien reaktiotangot asiakirjasta 6159923710

Yleiset sähkötyökalujen turvallisuutta koskevat varoitukset

⚠ VAROITUS Lue tämän tuotteen mukana toimitetut kaikki turvallisuusvaroitukset, ohjeet, kuvaukset ja tekniset tiedot.

Jos kaikkia alapuolella kuvattuja ohjeita ei noudateta, seurauksena voi olla sähköisku, tulipalo, omaisuusvahinko ja/tai vakava henkilövahinko.

Säilytä kaikki varoitukset ja ohjeet myöhempää käyttöä varten.

Varoituksissa oleva nimitys "sähkökäyttöinen työkalu" viittaa verkkovirtakäyttöisiin (johdollinen) tai akkukäyttöisiin (johdoton) työkaluihin.

Työskentelyalueen turvallisuus

- **Pidä työskentelyalue puhtaana ja hyvin valaistuna.** Sekaiset tai pimeät alueet ovat riskialttiita.
- **Älä käytä sähkötyökaluja räjähdysriskissä ilmapiirissä, kuten tulenarkojen nesteiden, kaasujen tai pölyn läheisyydessä.** Sähkötyökalut synnyttävät kipinöitä, jotka saattavat sytyttää ilmassa olevan pölyn tai kaasuhoiryn.
- **Pidä lapset ja sivulliset poissa sähkötyökalun läheisyydestä työkalua käyttäessäsi.** Liialliset häiriötekijät saattavat johtaa keskittymiskyvyn herpaantumiseen.

Sähköturvallisuus

- **Sähkötyökalun pistokkeen täytyy sopia seinäpistorasiaan.** Pistoketta ei saa koskaan muunnella millään tavalla. Älä käytä sovittipistokkeita maadoitettujen sähkötyökalujen kanssa. Muuttamattomat pistokkeet ja niitä vastaavat pistorasiat vähentävät sähköiskun vaaraa.
- **Älä kosketa maadoituksessa käytettäviin pintoihin, kuten putkiin, lämpöpattereihin ja jäähdytyslaitteisiin.** Voit saada sähköiskun, jos kehosi on maadoitettu.
- **Älä altista sähkötyökaluja sateelle tai kosteudelle.** Sähkötyökaluun pääsevä vesi lisää sähköiskun vaaraa.
- **Älä vaurioita sähköjohtoa. Älä kannata tai vedä työkalua sähköjohtoa äläkä vedä pistoketta pistorasiasta sähköjohtoa avulla.** Pidä sähköjohto kaukana kuumuudesta, öljystä, terävistä reunoista ja liikkuvista osista. Vaurioituneet tai sotkeutuneet johdot lisäävät sähköiskun vaaraa.
- **Kun sähkötyökalua käytetään ulkona, käytä ulkokäyttöön tarkoitettua jatkojohtoa.** Ulkokäyttöön tarkoitettujen jatkojohdon käyttö vähentää sähköiskun vaaraa.

- **Jos sähkötyökalua täytyy käyttää kosteissa tiloissa, käytä vikavirtasuojakytkimellä varustettua pistorasiaa.** Vikavirtasuojakytkimen käyttö vähentää sähköiskun vaaraa.

Henkilökohtainen turvallisuus

- **Ole valppaana, seuraa mitä teet ja käytä maalaisjärkeä sähkötyökalua käyttäessäsi.** Älä käytä sähkötyökalua, jos olet väsynyt tai huumeiden, alkoholin tai lääkkeiden vaikutuksen alaisena. Huomiokyvyn hetkellinen herpaantuminen sähkötyökalua käytettäessä saattaa johtaa vakavaan loukkaantumiseen.
- **Käytä henkilösuojavarusteita. Käytä aina suojalaseja.** Suojavarusteiden kuten pölysuojaimen, luistamattomien turvakengien, suojakypärän tai kuulosuojainten käyttö tarvittavissa olosuhteissa vähentää henkilövahinkoja.
- **Estä tahaton käynnistyminen. Varmista että virtakytkin on pois päältä -asennossa, ennen kuin liität työkalun virtalähteeseen ja/tai akkuun, tartut työkaluun tai kannat sitä.** Työkalun kantaminen sormen ollessa kytkimellä tai virran kytkeminen päälle kytkimen ollessa päällä altistaa onnettomuuksille.
- **Poista mahdolliset säätö- tai jakoavaimet ennen sähkötyökalun päälle kytkemistä.** Sähkötyökalun pyöriin osiin jätetty säätö- tai jakoavain voi aiheuttaa henkilövahinkoja.
- **Älä kurkota. Pidä aina jalat kunnolla maassa ja pysy tasapainossa.** Näin sähkötyökalu on paremmin hallittavissa, jos jotakin odottamatonta tapahtuu.
- **Pukeudu asianmukaisesti. Älä käytä koruja tai väljiä vaatteita. Pidä hiukset ja vaatteet erillään pyöriivä osista.** Väljat vaatteet, korut tai pitkät hiukset saattavat juuttua ja takertua liikkuviin osiin.
- **Jos laitteessa on pölynpoisto tai -keräyslaite, varmista, että se on liitetty ja että sitä käytetään oikein.** Pölyn kerääminen voi vähentää pölyyn liittyviä vaaratilanteita.
- **Älä anna työkalun säännöllisestä käytöstä johtuvan laitetuntemuksesi tehdä sinusta omahyväistä ja ohittaa tästä syystä laiteturvallisuutta koskevia sääntöjä.** Piittaamaton toiminta voi aiheuttaa vakavia henkilövahinkoja sekuntien murto-osissa.
- **Pidä sähkötyökalua kiinni eristetystä tartuntapinnasta tehdessäsi toimenpiteitä, jolloin kiinnitin voi joutua kosketukseen piilossa olevien sähköjohtojen kanssa.** Jos kiinnitin koskettaa jännitteistä johtoa, sähkötyökalun paljaat metalliosat saattavat tulla jännitteisiksi, jolloin laitteen käyttäjä voi saada sähköiskun.

Sähkötyökalun käyttö ja huolto

- **Älä käytä sähkötyökalua väkisin.** Käytä tehtävään sopivaa oikeaa sähkötyökalua. Oikealla sähkötyökalulla tehtävä onnistuu paremmin ja turvallisemmin sille tarkoitettussa ajassa.
- **Älä käytä sähkötyökalua, jos se ei kytkeydy päälle ja pois päältä kytkimestä.** Kaikki sähkötyökalut, joita ei voi hallita kytkimellä, ovat vaarallisia ja täytyy korjata.

- **Irrota pistoke pistorasiasta ja/tai irrotettava akku työkalusta ennen säätöjen tekemistä, varusteiden vaihtoa tai työkalun varastoinnista.** Tällaiset varotoimenpiteet vähentävät sähkötyökalun tahattoman käynnistymisen riskiä.
- **Säilytä sähkötyökaluja poissa lasten ulottuvilta äläkä anna henkilöiden, jotka eivät ole tottuneet sähkötyökaluun tai lukeneet näitä ohjeita, käyttää sähkötyökalua.** Sähkötyökalut ovat vaarallisia sellaisten henkilöiden käsissä, jotka eivät osaa niitä käyttää.
- **Pidä sähkötyökaluista ja varusteista hyvää huolta. Tarkista, että liikkuvat osat ovat kohdallaan eivätkä hankaa muita osia. Tarkista myös, ettei osissa ole vaurioita tai muita vikoja, jotka saattaisivat vaikuttaa sähkötyökalun toimintaan. Jos jokin osa on vahingoittunut, korjauta sähkötyökalu ennen käyttöä.** Monet onnettomuudet johtuvat heikosti huolletuista sähkötyökaluista.
- **Pidä leikkaavat työkalut terävinä ja puhtaina.** Kunnon huolletut ja terävänä pidetyt leikkaavat työkalut takertelevat vähemmän ja niitä on helpompi käsitellä.
- **Käytä sähkötyökalua, varusteita ja teriä yms. näiden ohjeiden mukaisesti ja huomioi työskentelyolosuhteet ja tehtävä työ.** Sähkötyökalun käyttö muuhun kuin sille tarkoitettuun tehtävään voi aiheuttaa vaaratilanteita.
- **Pidä kahvat ja tartuntapinnat kuivina, öljyttöminä ja rasvattomina.** Liukkaat kahvat ja tartuntapinnat eivät mahdollista työkalun turvallista käsittelyä ja hallintaa odottamattomissa tilanteissa.

Akkutyökalun käyttö ja huolto

- **Käytä lataukseen ainoastaan valmistajan suosittelemaa laturia.** Tietyn tyyppiselle akulle tarkoitettu laturi voi aiheuttaa tulipalovaaran, jos sitä käytetään toisen tyyppisen akun lataamiseen.
- **Käytä sähkötyökaluissa ainoastaan kyseiseen työkaluun tarkoitettuja akkuja.** Muun tyyppisten akkujen käyttö saattaa johtaa henkilövahinkoihin ja tulipaloon.
- **Kun akku ei ole käytössä, se täytyy säilyttää kaukana metalliesineistä, kuten paperiliittimistä, kolikoista, avaimista, nauloista, ruuveista ja muista pienistä metalliesineistä, jotka saattavat muodostaa liittäjän napojen välillä.** Akkunapojen välinen oikosulku voi aiheuttaa palovammoja tai tulipalon.
- **Väärinkäytettynä akusta saattaa roiskua nestettä: vältä kosketusta. Jos akkunestettä joutuu iholle, huuhtele vedellä. Jos akkunestettä joutuu silmiin, hakeudu lisäksi lääkärin hoitoon.** Akusta roiskuva akkuneste saattaa aiheuttaa ärsytystä tai palovammoja.
- **Älä käytä viallista tai muunneltua akkua tai työkalua.** Vialliset tai muunnellut akut voivat käyttäytyä ennalta arvaamattomasti aiheuttaen tulipalon, räjähdykset tai henkilövahingon.
- **Älä altista akkua tai työkalua avotullelle tai äärimmäisille lämpötiloille.** Altistuminen avotullelle tai yli 130 °C lämpötiloille voi aiheuttaa räjähdyksen.

- **Noudata kaikkia latausohjeita äläkä lataa akkua tai työkalua ohjeissa määriteltyjen lämpötilojen ulkopuolella.** Virheellinen lataus tai ohjeiden mukaan määriteltyjen lämpötilojen ulkopuolella suoritettu lataus voi aiheuttaa akkuvaurion ja lisätä tulipaloriskiä.

Huolto ja korjaukset

- **Anna sähkötyökalu huollettavaksi pätevälle korjajalle, joka käyttää vain alkuperäisiä varaosia.** Näin varmistetaan sähkötyökalun turvallisuus.
- **Älä koskaan huolla viallisia akkuja.** Vain valmistaja tai valtuutettu huoltoliike saa suorittaa akkujen huollon.

Tuotekohtaiset ohjeet

Varoitus!

Vähennä oikosulusta johtuvaa tulipalon, henkilövahingon ja tuotevaurion riskiä, joten älä koskaan upota työkalua, akkua tai laturia nesteeseen tai anna nesteen virrata niiden sisään. Syövyttävät tai sähköä johtavat nesteet, kuten merivesi, tietyt teollisuuskemikaalit ja valkaisuaineet tai valkaisuaineita sisältävät tuotteet, yms. voivat aiheuttaa oikosulun.

Erikoisvaroitukset

- Konetta saa käyttää vain yhdessä reaktiotangon kanssa, joka on liitetty kyseiseen ruuviliitossovellukseen.
- Käytä kaksoisliipaisinta sormien ja käsien takertumisen välttämiseksi reaktiotangon ja työkalupaleen välille.

Yleinen asennusturvallisuus

Asennustyöt täytyy aina antaa pätevän ammattihenkilön tehtäväksi.

Ripusta työkalu turvallisesti esimerkiksi tasapainottimen avulla. Kun käytät ripustusiestä, varmista, että se on hyvässä kunnossa ja oikein kiinnitetty.

Liitä järjestelmä aina maadoitettuun pistorasiaan. Varmista aina, että verkkovirtapistoke on irrotettu ja ohjain kytketty pois päältä ennen työkalukaapelin liittämistä ja irrottamista.

Erikoisvaroitukset

VAROITUS Murskaantumisvaara

Kaksoisliipaisin pakottaa käyttäjän käyttämään molempia käsiä työkalua käyttäessään. Ellei turvalaitetta käytetä, käyttäjä voi vahingossa käynnistää työkalun säätäessään reaktiotankoa, mikä johtaa vakavaan käsi- vammaan.

- ▶ Varmista, ettei työkalua voi käynnistää, kun kaksoisliipaisin on vapautettu.
- ▶ Testaa aina työkalu vapauttamalla ensin kaksoisliipaisimen liipaisin ja sitten painamalla työkalun liipaisinta. Jos työkalu käynnistyy, lopeta työskentely.

Yleinen käyttöturvallisuus

- **Älä käytä käsineitä kiinni tarttumisen vaaran vuoksi.**

- **Varaudu reaktiomomenttiin, joka syntyy työkalua käytettäessä.** Tue aina työkalun kahvaa tukevasti vastakkaisessa suunnassa karan pyörimissuuntaan nähden vähentääksesi äkkinäisen vääntöreaktion vaikutusta lopukiristykseen ja alkulöysentämisen aikana.
- **Älä koskaan pidä kiinni koneen mekaanisesta ulostulosta, hylsystä tai ulostulon jatkeesta.**
- **Käyttäjien ja huoltajien on pystyttävä fyysisesti käsittelemään työkalun kokoa, painoa ja voimaa.**
- **Jos mahdollista, käytä tukivartta reaktiomomentin vaimentamiseen. Jos se ei ole mahdollista, suorissa työkaluissa ja pistoolikahvaisissa laitteissa suositellaan käytettäväksi sivukahvoja ja kulmamutterinvääntimissä reaktiotankoja.** Suosituksena on käyttää jotakin tapaa reaktiomomentin vaimentamiseen yli 4 Nm:ssä (3 lbf.ft) suorissa työkaluissa, yli 10 Nm:ssä (7,5 lbf.ft) pistoolikahvaisissa työkaluissa ja yli 60 Nm:ssä (44 lbf.ft) kulmamutterinvääntimissä.
- **Yli- tai alikiristetyistä kiinnityksistä voi aiheutua vakava loukkaantuminen.** Tiettyä vääntömomenttia vaativat asennukset täytyy tarkistaa käyttämällä vääntömomentin mittaria. Niin sanotut "nakshtelevat" momenttiavaimet eivät tarkista mahdollisesti vaarallisia ylikiristyksiä. Yli- tai alikiristetyt kiinnitykset voivat murtua, löystyä tai irrota. Irronneet osat voivat sinkoutua ulos.
- **Käytä ainoastaan hyväkuntoisia voima- tai iskuhylsyjä.** Älä koskaan käytä käsivääntöisiä hylsyjä.
- **Kun sähkötyökalua käytetään työtehtävissä, käyttäjä saattaa tuntea epämukavuutta käsissä, käsivarsissa, hartioissa, niskassa ja muissa kehonosissa.** Vaihtelee sopivia asentoja työpäivän aikana, seiso tukevassa työasennossa ja vältä hankalia tai tasapainottomia työasentoja.
- **Toistuvat liikkeet, hankala työasento ja värinä voivat vahingoittaa käsiä tai käsivarsia.** Jos havaitset tunnottomuutta, pistelyä, kipua tai ihon kalpenemista, keskeytä työkalun käyttö ja ota yhteys lääkäriin.
- **Ole varovainen työskennellessäsi ahtaissa tiloissa.** Varo käsien joutumista puristuksiin laitteen ja työestetävän kappaleen väliin.
- **Voimakkaat äänet voivat aiheuttaa pysyviä kuulovaurioita.** Käytä työnantajan tai työterveys- ja työturvallisuusmääräysten suosittelemia kuulosuojaimia.
- **Varmista, että työstettävä kappale on kiinnitetty kunolla.**
- **Noudata erityistä varovaisuutta vieraassa työympäristössä.** Tiedosta työskentelyn mahdollisesti aiheuttamat vaaratilanteet. Tätä työkalua ei ole eristetty suojaamaan sähkötapaturmilta sen koskettaessa sähkövirralähteitä.

Reaktiotangon kanssa käytettävät työkalut: Älä pidä kätäsi vastinvarren päällä tai sen läheisyydessä, työkalun ollessa käytössä. Huomioi karan pyörimissuunta ennen työkalun käynnistämistä, sillä reaktivoima saattaa toimia odottamattomaan suuntaan, jolloin murskautumisvammojen vaara on olemassa.

Työkalut, joissa on kytkin: Älä käytä tuotetta, ellet ole varma, että kytkin on vapautunut. Tarkista oikea toiminta heti kytkimen säätämisen jälkeen.

VAROITUS Tapaturmavaara

Varmista, että oikeaa parametritiedostoa käytetään. Väärä parametritiedosto voi aiheuttaa liian suuren vääntömomentin ja sen seurauksena vakavan loukkaantumisen.

- Vertaa ohjaimen merkittyä suurinta vääntömomenttia työkalun teknisissä tiedoissa ilmoitettuun suurimpaan vääntömomenttiin. Niiden tulisi olla samat.

Yleiset ohjeet

Työkalua saa käyttää vain yhdessä määritetyn reaktiotangon kanssa, joka on liitetty kyseiseen ruuvi-liitossovellukseen.

VAROITUS Murskaantumisvaara



Tarkasta työkalun pyörimissuunta ennen sen käyttöä! Käynnistys odottamattomalla pyörimissuunnalla voi aiheuttaa henkilötapaturmia ja omaisuusvahinkoja. Liikkuvat osat voivat puristaa ja viiltää.

- Varmista, että työkalun pyörimissuunta on oikea ennen työkalun käynnistämistä.
- Pidä kädet ja sormet poissa pyörivien osien läheisyydestä.

Työkalun käyttö

1. Kokoa reaktiotanko tässä asiakirjassa kuvattujen turvaohjeiden mukaan.
2. Sovita työkaluun sopiva istukka tässä asiakirjassa kuvattujen turvaohjeiden mukaan.
3. Aseta oikea tila asetuspainikkeiden (4) ja näyttöruudun (3) avulla.
4. Valitse oikea suunta suunnanvaihtopainikkeella (6).
5. Sijoita työkalu ja reaktiotanko (7) tässä asiakirjassa kuvattujen turvaohjeiden mukaan.
6. Pidä toista liipaisinta (1) painettuna.
7. Pidä ensisijaista liipaisinta (2) painettuna.
8. Pidä liipaisinten (1 & 2) paine toiminnon loppuun saakka.
9. Tarkista toiminnon tila raportoinnin LEDeistä (5). Vihreä (Ok), Punainen (NOK).

Akku

Jonkin aikaa käyttämättöminä olleet akut tulisi ladata uudelleen ennen käyttöä. Yli 50 °C:n lämpötilat vähentävät akun suorituskykyä. Vältä pitkäaikaista altistamista kuumuudelle tai auringonpaisteelle (ylikuumentumisvaara). Laturin ja akkujen liittimet on pidettävä puhtaina.

Käyttöiän optimoimiseksi akut on ladattava täyteen käytön jälkeen. Jotta akun käyttöikä pysyy mahdollisimman pitkänä, irrota täyteen ladattu akku laturista.

Akun ylikuormitussuoja suojaa akkua ylikuormitukselta ja pidentää sen käyttöikää. Kovassa rasituksessa akun elektroniikka sammuttaa tuotteen automaattisesti. Käynnistä uudelleen kytkemällä tuote pois päältä ja uudelleen päälle. Jos tuote ei käynnisty uudelleen, akku on saattanut tyhjäntyä täysin. Siinä tapauksessa se on ladattava uudelleen laturissa.

Huolto-ohjeet

- **Osien käsittelyssä ja hävittämisessä täytyy noudattaa paikallisia ympäristömääräyksiä.**
- Ainoastaan pätevät henkilöt saavat suorittaa huolto- ja korjaustöitä, ja niissä tulee käyttää ainoastaan alkuperäisiä varaosia. Ota yhteys valmistajaan tai lähimpään valtuutettuun jälleenmyyjään, jos tarvitsit teknistä huoltoa koskevia neuvoja tai varaosia.
- Varmista aina, että laite on kytketty irti virtalähteestä, jottei laite käynnisty vahingossa.
- Pura ja tarkista työkalu kolmen kuukauden välein, jos sitä käytetään joka päivä. Vaihda vaurioituneet tai kuluneet osat.
- Älä koskaan päästä jarrunesteitä, bensiiniä, öljypohjaisia tuotteita, läpäiseviä öljyjä jne. kosketuksiin muoviosien kanssa. Kemikaalit voivat vaurioittaa, heikentää tai tuhota muovia, mikä saattaa johtaa vakavaan loukkaantumiseen.
- Vältä liuottimien käyttöä puhdistaussasi muoviosia. Useimmat muovit ovat alttiita erityyppisten kaupallisten liuottimien aiheuttamille vaurioille. Käytä puhdasta liinaa lian, pölyn, öljyn, rasvan jne. poistamiseen.

Hävitys

- Tämän laitteen hävittäminen täytyy tehdä kunkin maan lainsäädännön mukaisesti.
- Kaikki vahingoittuneet, huomattavasti kuluneet tai virheellisesti toimivat laitteet **TÄYTYY POISTAA KÄYTÖSTÄ.**

Merkit ja tarrat

Tuote on varustettu tärkeitä turvallisuus- ja tuotetietoja koskevilla kilvillä ja tarroilla. Kilpien ja tarrojen on aina oltava luettavissa. Uudet kilvet ja tarrat voidaan tilata varaosaluettelon avulla.



s011050

Symbolit



Irrota akku ennen kuin koneelle suoritetaan mitään toimenpiteitä.



Lue ohjeet huolellisesti ennen koneen käynnistämistä.



Älä hävitä sähkötyökaluja kotitalousjätteiden mukana. Sähkötyökalut ja elektroniikkalaitteet täytyy niiden käyttöiän päätyttyä kerätä erilleen ja toimittaa ympäristöä säästävään kierrätyslaitokseen. Tarkista kierrätysohjeet ja keräyspisteen sijainti paikallisviranomaisilta tai jälleenmyyjältä.

Käytä aina suojalaseja konetta käytettäessä.



n_0 Kuormittamaton nopeus.

V Volttia

min^{-1} minuutissa



Tasavirta



HUOMIO! VAROITUS! VAARA!

Hyödyllistä tietoa

Verkkosivusto

Tietoa yrityksemme tuotteista, lisälaitteista, varaosista ja julkaisuista on Chicago Pneumatic -sivustolla.

Käy osoitteessa: www.cp.com.

Alkuperäismaa

HUNGARY

Käyttöturvallisuustiedote

Käyttöturvallisuustiedote kuvaa Chicago Pneumaticin myymiä kemikaalituotteita.

Katso lisätietoja Chicago Pneumaticin verkkosivustolta qr.cp.com/sds.

Copyright

© Copyright 2022, CHICAGO PNEUMATIC Tool Co.LLC, 1815 Clubhouse Road, Rock Hill, SC 29730 - USA

Kaikki oikeudet pidätetään. Sisällön tai sen osan luvaton käyttö tai kopiointi on kielletty. Se koskee erityisesti tavaramerkkejä, mallinimityksiä, osanumeroita ja piirustuksia. Käytä vain hyväksytyjä varaosia. Takuu tai tuotevastuu ei korvaa mitään vaurioita tai toimintahäiriöitä, jotka johtuvat muiden kuin hyväksytyjen varaosien käytöstä.

Τεχνικά δεδομένα

Περιγραφή προϊόντος

ανατρέξτε στην εικόνα 2: Περιγραφή προϊόντος

- 1 Δεύτερο πυροκροτητή
- 2 Κύριο πυροκροτητή
- 3 Οθόνη απεικόνισης
- 4 Κουμπιά ρυθμίσεων
- 5 LED αναφοράς
- 6 Κουμπί αντιστροφής

7 Ράβδος αντίδρασης s-type (παραδίδεται με το εργαλείο)

Δηλώσεις

ΔΗΛΩΣΗ ΣΥΜΜΟΡΦΩΣΗΣ ΕΕ

Εμείς, η CHICAGO PNEUMATIC Tool Co.LLC, 1815 Clubhouse Road, Rock Hill, SC 29730 - USA, δηλώνουμε με αποκλειστική ευθύνη μας ότι το προϊόν (με ονομασία, τύπο και σειριακό αριθμό, βλ. εξώφυλλο) συμμορφώνεται με την/ τις παρακάτω Οδηγία/ες:

2006/42/EC; 2011/65/UE; 2014/53/UE

Ισχύοντα εναρμονισμένα πρότυπα: EN 62841-2-2:2014 + AC1:2015; EN 55014-1:2017+11:2020; EN 55014-2:2015; EN 61000-6-2:2019; EN 61000-6-3:2007 + A1:2011; EN 300328V222; EN 301489-17V324; EN 301489-1V223; EN 62311:2008; EN 62479:2010

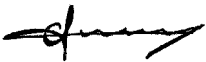
Οι αρχές μπορούν να ζητήσουν τις σχετικές τεχνικές πληροφορίες από:

Pascal Roussy, R&D Manager, Ets Georges Renault, 38 rue Bobby Sands, BP10273 44818 Saint Herblain, France

Saint-Herblain, 2022/01/26

Pascal ROUSSY

Υπογραφή εκδότη



Έγγραφο δήλωση επιπέδου θορύβου & δονήσεων

- Στάθμη ηχητικής πίεσης < 72 dB(A), αβεβαιότητα 3 dB(A), σύμφωνα με το EN 62841-2-2:2015.
- Στάθμη ηχητικής πίεσης < 83 dB(A), αβεβαιότητα 3 dB(A), σύμφωνα με το EN 62841-2-2:2015.
- Συνολική τιμή δόνησης < 2.5 m/s², αβεβαιότητα 3 m/s², σύμφωνα με το EN 62841-2-2:2015.

Οι τιμές που δηλώνονται εξακριβώθηκαν μέσω εργαστηριακών δοκιμών σε συνάρτηση με τα αναφερόμενα πρότυπα και μπορούν να χρησιμοποιηθούν για σύγκριση με τις δηλωμένες τιμές άλλων εργαλείων που υποβλήθηκαν σε δοκιμή σύμφωνα με τα ίδια πρότυπα. Οι τιμές που δηλώνονται δεν είναι κατάλληλες για χρήση σε υπολογισμούς εκτίμησης κινδύνου, καθώς οι τιμές μέτρησης σε μεμονωμένους χώρους εργασίας μπορεί να είναι υψηλότερες. Οι πραγματικές τιμές έκθεσης και οι κίνδυνοι σωματικής βλάβης, στους οποίους εκτίθεται ο μεμονωμένος χρήστης είναι μοναδικές και εξαρτώνται από τον τρόπο εργασίας του χρήστη, το αντικείμενο εργασίας και το σχεδιασμό της θέσης εργασίας καθώς και από το χρόνο έκθεσης και τη φυσική κατάσταση του χρήστη.

Εμείς, η CHICAGO PNEUMATIC Tool Co.LLC, δεν αναλαμβάνουμε καμία ευθύνη για τις συνέπειες που μπορεί να προκύψουν από τη χρήση των δηλωμένων τιμών, αντί για τιμές που αντιπροσωπεύουν την πραγματική έκθεση, για την αξιολόγηση κινδύνων σε χώρο εργασίας ο οποίος δεν βρίσκεται υπό τον έλεγχό μας.

Αυτό το εργαλείο μπορεί να προκαλέσει σύνδρομο χειρός-βραχίονα οφειλόμενο στους κραδασμούς αν δεν γίνει σωστή χρήση του. Μπορείτε να βρείτε έναν οδηγό ΕΕ για τη διαχείριση των δονήσεων χειριού-βραχίονα μεταβαίνοντας στη διεύθυνση <http://www.pneuop.eu/index.php> και επιλέγοντας "Tools" (Εργαλεία) και κατόπιν "Legislation" (Νομοθεσία).

Συνιστούμε την τήρηση προγράμματος ιατρικής παρακολούθησης, για να αναγνωρίζονται τυχόν αρχικά συμπτώματα που ενδέχεται να σχετίζονται με την έκθεση σε δονήσεις, έτσι ώστε να είναι δυνατή η τροποποίηση των διαδικασιών διαχείρισης και να αποτρέπεται η πρόκληση μελλοντικών σωματικών βλαβών.

- ⓘ Αυτός ο εξοπλισμός προορίζεται για χρήση με σταθερές εφαρμογές:
Οι εκπομπές θορύβου παρέχονται στον υπεύθυνο για το στήσιμο του μηχανήματος, ως οδηγός. Τα στοιχεία εκπομπών θορύβου και δονήσεων για το μηχάνημα στην ολοκληρωμένη μορφή του θα πρέπει να παρέχονται στο εγχειρίδιο οδηγιών του μηχανήματος.

Προδιαγραφές ασύρματης επικοινωνίας

BLUETOOTH LOW ENERGY 4.2®

Συχνότητα: 2400 MHz - 2483,5MHz

EIRP: <10 dBm

Το λεκτικό σήμα Bluetooth® και τα λογότυπα είναι σήματα κατατεθέντα που ανήκουν στην Bluetooth SIG, Inc

Περιφερειακές απαιτήσεις

⚠ ΠΡΟΕΙΔΟΠΟΙΗΣΗ

Αυτό το προϊόν μπορεί να σας εκθέσει σε χημικές ουσίες, συμπεριλαμβανομένου του μόλυβδου, ο οποίος είναι γνωστός στην πολιτεία της Καλιφόρνιας ότι προκαλεί καρκίνο και γενετικές ανωμαλίες ή άλλη αναπαραγωγική βλάβη. Για περισσότερες πληροφορίες επισκεφθείτε την ιστοσελίδα

<https://www.p65warnings.ca.gov/>

Ασφάλεια

Μην απορρίπτετε - δώστε στο χρήστη

- ⚠ ΠΡΟΕΙΔΟΠΟΙΗΣΗ Διαβάστε όλες τις προειδοποιήσεις ασφαλείας, τις οδηγίες, τα γραφικά και τις προδιαγραφές που παρέχονται με αυτό το προϊόν.

Σε περίπτωση που δεν ακολουθήσετε όλες τις παρακάτω οδηγίες ενδέχεται να προκληθεί ηλεκτροπληξία, πυρκαγιά, καταστροφή ιδιοκτησίας ή/ και σοβαρός τραυματισμός.

Φυλάξτε όλες τις προειδοποιήσεις και τις οδηγίες για να ανατρέξετε μελλοντικά σε αυτές.

- ⚠ ΠΡΟΕΙΔΟΠΟΙΗΣΗ Όλοι οι τοπικά θεσμοθετημένοι κανόνες ασφαλείας σχετικά με την εγκατάσταση, τη λειτουργία και τη συντήρηση, πρέπει να τηρούνται συνεχώς.

Δήλωση Χρήσης

- Αποκλειστικά για επαγγελματική χρήση.
- Αυτό το προϊόν και τα εξαρτήματά του δεν πρέπει να τροποποιηθούν με κανένα τρόπο.
- Μην χρησιμοποιείτε αυτό το προϊόν εάν έχει υποστεί ζημιά.
- Εάν τα δεδομένα του προϊόντος ή οι προειδοποιητικές ενδείξεις κινδύνου στο προϊόν παύσουν να είναι ευανάγνωστες ή αποσυνδεδεμένες, αντικαταστήστε χωρίς καθυστέρηση.
- Το προϊόν πρέπει να εγκαθίσταται, να λειτουργεί και να συντηρείται μόνο από πρόσωπα με τα κατάλληλα προσόντα σε βιομηχανικό περιβάλλον συναρμολόγησης.

Προβλεπόμενη χρήση

Αυτό το προϊόν προορίζεται για αποκλειστική χρήση από ενήλικες που έχουν διαβάσει και κατανοήσει τις οδηγίες και προειδοποιήσεις στο παρόν εγχειρίδιο, και οι οποίοι μπορούν να θεωρούνται υπεύθυνοι για τις πράξεις τους.

- Το παρόν προϊόν σχεδιάστηκε για την τοποθέτηση και την αφαίρεση συνδετήρων με σπειρώματα σε ξύλο, μέταλλο ή πλαστικό.
- Μόνο για εσωτερική χρήση.
- Μη χρησιμοποιείτε το προϊόν για άλλο σκοπό πέραν του ενδεδειγμένου.
- Δεν επιτρέπεται άλλη χρήση

Συνιστώμενες μπαταρίες

8940176068: CP36XP25

Συνιστώμενος φορτιστής

8940176069: CP18-36CH

Συνιστώμενη ράβδος αντίδρασης

Χρησιμοποιήστε τη ράβδο αντίδρασης (7) που παρέχεται με το εργαλείο. Για άλλα μοντέλα που αναφέρονται στην αναφορά της γραμμής αντίδρασης 6159923710

Γενικές προειδοποιήσεις ασφαλείας ηλεκτρικών εργαλείων

⚠ ΠΡΟΕΙΔΟΠΟΙΗΣΗ Διαβάστε όλες τις προειδοποιήσεις ασφαλείας, τις οδηγίες, τα γραφικά και τις προδιαγραφές που παρέχονται με αυτό το προϊόν.

Σε περίπτωση που δεν ακολουθήσετε όλες τις παρακάτω οδηγίες ενδέχεται να προκληθεί ηλεκτροπληξία, πυρκαγιά, καταστροφή ιδιοκτησίας ή/ και σοβαρός τραυματισμός.

Φυλάξτε όλες τις προειδοποιήσεις και τις οδηγίες για να ανατρέξετε μελλοντικά σε αυτές.

Ο όρος "ηλεκτρικό εργαλείο" στις προειδοποιήσεις αναφέρεται στο ηλεκτροδοτούμενο (με καλώδιο) ηλεκτρικό εργαλείο ή στο τροφοδοτούμενο από μπαταρία (χωρίς καλώδιο) ηλεκτρικό εργαλείο σας.

Ασφάλεια χώρου εργασίας

- Διατηρείτε καθαρό και καλά φωτισμένο το χώρο εργασίας. Οι ακατάστατοι ή σκοτεινοί χώροι προκαλούν ατυχήματα.
- Μη θέτετε σε λειτουργία ηλεκτρικά εργαλεία σε εκρηκτικές ατμόσφαιρες, όπως παρουσία εύφλεκτων υγρών, αερίων ή σκόνης. Τα ηλεκτρικά εργαλεία δημιουργούν σπινθήρες, οι οποίοι είναι δυνατό να αναφλέξουν τη σκόνη ή τα αέρια.
- Τηρείτε σε απόσταση τα παιδιά και τους παρευρισκόμενους όταν χρησιμοποιείτε ένα ηλεκτρικό εργαλείο. Οι αποσπάσεις είναι δυνατό να σας κάνουν να χάσετε τον έλεγχο.

Ηλεκτρική Ασφάλεια

- Τα βύσματα του ηλεκτρικού εργαλείου πρέπει να ταιριάζουν με το ρευματοδότη. Μη τροποποιείτε ποτέ με κανένα τρόπο το βύσμα. Μη χρησιμοποιείτε ανάπτορες βύσματος με γειωμένα ηλεκτρικά εργαλεία. Τα μη τροποποιημένα βύσματα και οι ταιριαστοί ρευματοδότες θα μειώσουν τον κίνδυνο ηλεκτροπληξίας.
- Αποφύγετε επαφή του σώματός σας με μειωμένες επιφάνειες, όπως είναι οι σωλήνες, τα καλοριφέρ, τα ηλεκτρικά μάτια ή τα ψυγεία. Υπάρξει αυξημένος κίνδυνος ηλεκτροπληξίας αν το σώμα σας είναι γειωμένο.
- Μην εκτίθετε τα ηλεκτρικά εργαλεία στη βροχή ή σε υγρές συνθήκες. Αν εισέλθει νερό εντός ενός ηλεκτρικού εργαλείου θα αυξηθεί ο κίνδυνος ηλεκτροπληξίας.
- Μην κάνετε κακή χρήση του καλωδίου. Μη χρησιμοποιείτε ποτέ το καλώδιο για να μεταφέρετε, να τραβήξετε ή να βγάλετε από την πρίζα το ηλεκτρικό εργαλείο. Τηρήστε το καλώδιο μακριά από τη ζέστη, το λάδι, τα αιχμηρά άκρα ή τα κινούμενα εξαρτήματα. Τα καλώδια με βλάβη ή τα περιπλεγμένα καλώδια αυξάνουν τον κίνδυνο ηλεκτροπληξίας.
- Όταν θέτετε σε λειτουργία ένα ηλεκτρικό εργαλείο σε εξωτερικό χώρο, χρησιμοποιείτε καλώδιο επέκτασης κατάλληλο για χρήση σε εξωτερικούς χώρους. Η χρήση καλωδίου κατάλληλου για χρήση σε εξωτερικούς χώρους μειώνει τον κίνδυνο ηλεκτροπληξίας.
- Αν είναι αναπόφευκτη η χρήση ηλεκτρικού εργαλείου σε υγρή τοποθεσία, χρησιμοποιήστε διάταξη προστασίας ρεύματος διαρροής (RCD). Η χρήση RCD μειώνει τον κίνδυνο ηλεκτροπληξίας.

Ασφάλεια των προσώπων

- Παραμείνατε σε επιφυλακή, παρακολουθείτε τι κάνετε και ακολουθήστε την κοινή λογική κατά τη χρήση μηχανοκίνητων εργαλείων. Μη χρησιμοποιείτε ένα ηλεκτρικό εργαλείο όταν είστε κουρασμένοι ή όταν βρίσκεστε υπό την επήρεια ναρκωτικών, αλκοόλ ή φαρμακευτικής αγωγής. Μία στιγμή απροσεξίας κατά τη χρήση μηχανοκίνητων εργαλείων είναι δυνατό να οδηγήσει σε σοβαρό προσωπικό ατύχημα.
- Χρησιμοποιείτε εξοπλισμό προσωπικής προστασίας. Φοράτε πάντοτε προστατευτικά ματιών. Ο προστατευτικός εξοπλισμός, όπως η μάσκα κατά της σκόνης, τα υποδήματα ασφαλείας κατά των ολισθήσεων,

το κράνος ή προστατευτικά της ακοής, όταν χρησιμοποιείται υπό τις κατάλληλες συνθήκες, θα μειώσει τα προσωπικά ατυχήματα.

- **Αποφύγετε την κατά λάθος εκκίνηση. Βεβαιωθείτε ότι ο διακόπτης είναι στη θέση OFF πριν να συνδέσετε το εργαλείο με την πηγή τροφοδοσίας ή/ και τις μπαταρίες, πριν από την παραλαβή ή τη μετακίνηση του εργαλείου.** Η μεταφορά ηλεκτρικών εργαλείων έχοντας το δάχτυλό σας επάνω στο διακόπτη ή η σύνδεση ηλεκτρικών εργαλείων με το διακόπτη στη θέση ON επιφέρει ατυχήματα.
- **Αφαιρέστε τυχόν κλειδί ή μοχλό ρύθμισης πριν να ενεργοποιήσετε το ηλεκτρικό εργαλείο.** Ένα κλειδί, το οποίο αφήνεται συνδεδεμένο με ένα περιστρεφόμενο εξάρτημα του ηλεκτρικού εργαλείου είναι δυνατό να επιφέρει προσωπικό ατύχημα.
- **Μην τεντώνετε για να φτάσετε. Να κρατιέστε πάντοτε σε καλή ευστάθεια και ισορροπία.** Με αυτό τον τρόπο θα έχετε καλύτερο έλεγχο του ηλεκτρικού εργαλείου σε απρόσμενες καταστάσεις.
- **Φοράτε κατάλληλα ρούχα. Μη φοράτε φαρδιά ρούχα ή κοσμήματα. Κρατάτε τα μαλλιά και τα ρούχα μακριά από τα κινούμενα εξαρτήματα.** Τα φαρδιά ρούχα, τα κοσμήματα ή τα μακριά μαλλιά είναι δυνατό να πιαστούν στα κινούμενα εξαρτήματα.
- **Αν προβλέπονται συσκευές για τη σύνδεση εγκαταστάσεων απομάκρυνσης και συγκέντρωσης της σκόνης, βεβαιωθείτε ότι είναι συνδεδεμένες και χρησιμοποιούνται σωστά.** Η χρήση συγκέντρωσης της σκόνης μπορεί να μειώσει κινδύνους που σχετίζονται με τη σκόνη.
- **Μην αφήσετε την εξουκείωση που αποκτάτε με τη συχνή χρήση των εργαλείων να σας κάνει πιο αμελείς και να αγνοείτε τις αρχές ασφαλείας του εργαλείου.** Μια απρόσεκτη ενέργεια μπορεί να προκαλέσει σοβαρό τραυματισμό μέσα σε κλάσματα δευτερολέπτου.
- **Κρατάτε το μηχανοκίνητο εργαλείο από τις μονωμένες επιφάνειες λαβής, κάθε που πραγματοποιείτε μία εργασία κατά την οποία ο σύνδεσμός μπορεί να έρθει σε επαφή με κρυμμένα καλώδια.** Οι σύνδεσμοι που τυχόν έρθουν σε επαφή με ένα καλώδιο υπό τάση είναι δυνατό να θέσουν τα εκτεθειμένα μεταλλικά μέρη του μηχανοκίνητου εργαλείου υπό τάση και μπορεί να προκαλέσουν ηλεκτροπληξία στο χειριστή.

Χρήση και φροντίδα ηλεκτρικού εργαλείου

- **Μην πιέζετε το ηλεκτρικό εργαλείο. Χρησιμοποιήστε το σωστό ηλεκτρικό εργαλείο για την εφαρμογή σας.** Το σωστό ηλεκτρικό εργαλείο θα κάνει τη δουλειά καλύτερα και ασφαλέστερα στην ταχύτητα για την οποία σχεδιάστηκε.
- **Μη χρησιμοποιήσετε το ηλεκτρικό εργαλείο αν ο διακόπτης δεν ενεργοποιείται και απενεργοποιείται.** Οποιοδήποτε ηλεκτρικό εργαλείο, το οποίο δεν μπορεί να ελεγχθεί με το διακόπτη είναι επικίνδυνο και πρέπει να επισκευαστεί.
- **Αποσυνδέστε το βύσμα από την πηγή τροφοδοσίας ή/ και βγάλτε το συγκρότημα μπαταρίας από το ηλεκτρικό εργαλείο πριν να επιφέρετε τυχόν προσαρμογές, αλλαγή εξαρτημάτων ή πριν από την**

αποθήκευση των ηλεκτρικών εργαλείων. Τα εν λόγω προληπτικά μέτρα ασφαλείας μειώνουν τον κίνδυνο τυχαίας εκκίνησης του ηλεκτρικού εργαλείου.

- **Αποθηκεύστε τα αδρανή ηλεκτρικά εργαλεία σε σημείο που να μην τα φτάνουν παιδιά και μη επιτρέψτε σε πρόσωπα μη εξουκείωμένα με το ηλεκτρικό εργαλείο ή με τις παρούσες οδηγίες να χρησιμοποιήσουν το ηλεκτρικό εργαλείο.** Τα ηλεκτρικά εργαλεία είναι επικίνδυνα στα χέρια μη εκπαιδευμένων χρηστών.
- **Συντηρείτε τα ηλεκτρικά εργαλεία και τα εξαρτήματα. Ελέγξτε για κακή ευθυγράμμιση ή πρόσδεση των κινούμενων εξαρτημάτων, για σπάσιμο εξαρτημάτων και για οποιαδήποτε άλλη κατάσταση που είναι δυνατό να επηρεάσει τη λειτουργία του ηλεκτρικού εργαλείου. Αν το ηλεκτρικό εργαλείο έχει υποστεί ζημία, φροντίστε να επισκευαστεί πριν το χρησιμοποιήσετε.** Πολλά ατυχήματα προκαλούνται από την κακή συντήρηση των ηλεκτρικών εργαλείων.
- **Τηρείτε τα εργαλεία κοπής αιχμηρά και καθαρά.** Τα κατάλληλα συντηρούμενα εργαλεία κοπής με αιχμηρά άκρα κοπής δεν είναι πιθανό να κολλήσουν και ελέγχονται ευκολότερα.
- **Χρησιμοποιείτε το ηλεκτρικό εργαλείο, τα εξαρτήματα και τα παρελκόμενα του κ.λπ. σύμφωνα με τις παρούσες οδηγίες, λαμβάνοντας υπόψη τις συνθήκες λειτουργίας και την προς υλοποίηση εργασία.** Αν χρησιμοποιήσετε το ηλεκτρικό εργαλείο για εργασίες πέραν των προβλεπόμενων είναι δυνατό να επέλθει επικίνδυνη κατάσταση.
- **Διατηρείτε τις χειρολαβές και τις επιφάνειες συγκράτησης στεγνές, καθαρές και απαλλαγμένες από λάδι και γράσο.** Οι ολισθηρές χειρολαβές και οι επιφάνειες συγκράτησης δεν επιτρέπουν ασφαλή χειρισμό και έλεγχο του εργαλείου σε απροσδόκητες καταστάσεις.

Χρήση και φροντίδα εργαλείου με μπαταρία

- **Επαναφορτίζετε μόνο με το φορτιστή που καθορίζετε από τον κατασκευαστή.** Ένας φορτιστής που είναι κατάλληλος για έναν τύπο μπαταρίας είναι δυνατό να επιφέρει κίνδυνο πυρκαγιάς αν χρησιμοποιηθεί με άλλη μπαταρία.
- **Χρησιμοποιείτε ηλεκτρικά εργαλεία μόνο με συγκεκριμένες μπαταρίες.** Η χρήση άλλων μπαταριών είναι δυνατό να επιφέρει κίνδυνο τραυματισμού και πυρκαγιάς.
- **Όταν η μπαταρία δε χρησιμοποιείται, φυλάσσετε τη μακριά από άλλα μεταλλικά αντικείμενα, π.χ. συνδετήρες, κέρματα, κλειδιά, καρφιά, βίδες ή άλλα μικρά μεταλλικά αντικείμενα, τα οποία μπορούν να προκαλέσουν σύνδεση των πόλων της. Η σύνδεση των πόλων της μπαταρίας είναι δυνατό να επιφέρει εγκαύματα ή πυρκαγιά.**
- **Υπό συνθήκες κακής χρήσης, είναι δυνατό να εκτοξευθεί υγρό από την μπαταρία. Αποφύγετε την επαφή. Αν έρθετε τυχαία σε επαφή, ξεπλύνετε με νερό. Αν το υγρό έρθει σε επαφή με τα μάτια, ζητήστε επιπλέον ιατρική βοήθεια.** Το υγρό που εκτοξεύεται από τη μπαταρία είναι δυνατό να προκαλέσει ερεθισμό ή εγκαύματα.

- **Μη χρησιμοποιείτε μια συστοιχία μπαταριών ή ένα εργαλείο που έχει υποστεί ζημιά ή τροποποίηση.** Οι μπαταρίες που έχουν υποστεί ζημιά ή τροποποίηση ενδέχεται να επιδείξουν απρόβλεπτη συμπεριφορά που να οδηγήσει σε φωτιά, έκρηξη ή κίνδυνο τραυματισμού.
- **Μην εκθέτετε μια συστοιχία μπαταριών ή ένα εργαλείο στη φωτιά ή σε υπερβολική θερμοκρασία.** Η έκθεση σε φωτιά ή θερμοκρασία άνω των 130 °C μπορεί να προκαλέσει έκρηξη.
- **Ακολουθήστε όλες τις οδηγίες φόρτισης και μην φορτίζετε τη συστοιχία μπαταριών ή το εργαλείο εκτός της περιοχής θερμοκρασιών που προδιαγράφονται στις οδηγίες.** Η ακατάλληλη φόρτιση ή σε θερμοκρασίες εκτός του προδιαγεγραμμένου εύρους είναι δυνατό να προκαλέσει ζημιά στη μπαταρία και να αυξήσει τον κίνδυνο φωτιάς.

Σέρβις

- **Αναθέστε το σέρβις του ηλεκτρικού εργαλείου σας σε τεχνικό επισκευών με τα κατάλληλα προσόντα, που χρησιμοποιεί μόνο πανομοιότυπα ανταλλακτικά.** Αυτό θα εξασφαλίσει διατήρηση της ασφάλειας του ηλεκτρικού εργαλείου.
- **Μην υποβάλετε ποτέ σε σέρβις τις συστοιχίες μπαταριών που έχουν υποστεί ζημιά.** Το σέρβις συστοιχιών μπαταριών πρέπει να επιτελείται μόνο από τον κατασκευαστή ή από εξουσιοδοτημένους αντιπροσώπους σέρβις.

Ειδικές οδηγίες προϊόντος

Προειδοποίηση!

Για να μειωθεί ο κίνδυνος πυρκαγιάς, τραυματισμού και ζημιάς του προϊόντος λόγω βραχυκυκλώματος, μη βυθίζετε ποτέ το εργαλείο σας, τη συστοιχία μπαταρίας ή το φορτιστή σε υγρό και μην επιτρέπετε σε υγρό να διεισδύσει στο εσωτερικό του. Διαβρωτικά ή αγώγιμα υγρά, όπως θαλασσίνο νερό, ορισμένα βιομηχανικά χημικά και χλωρίνη ή προϊόντα που περιέχουν χλωρίνη κ.λπ. μπορεί να προκαλέσουν βραχυκύκλωμα.

Ειδικές προφυλάξεις

- Το μηχάνημα επιτρέπεται να χρησιμοποιηθεί μόνο σε συνδυασμό με την αντίστοιχη ράβδο αντίδρασης, η οποία προσαρμόζεται στην εκάστοτε εφαρμογή συναρμογής βίδας.
- Χρησιμοποιήστε τη σκανδάλη Διπλής δράσης, για την ελαχιστοποίηση του κινδύνου εμπλοκής δακτύλων ή χεριών ανάμεσα στη ράβδο αντίδρασης και το τεμάχιο εργασίας.

Γενική Ασφάλεια Εγκατάστασης

Απευθυνθείτε μόνο σε εξειδικευμένο προσωπικό.

Κρεμάστε το εργαλείο με ασφάλεια, για παράδειγμα, από ένα εξισορροπητή. Αν χρησιμοποιήσετε μοχλό ανάρτησης, βεβαιωθείτε πρώτα ότι βρίσκεται σε καλή κατάσταση και ότι στερεώθηκε σωστά.

Συνδέετε πάντοτε το σύστημα με γειωμένο ρευματοδότη. Να βεβαιώνετε πάντοτε ότι το βύσμα τροφοδοσίας είναι αποσυνδεδεμένο και ότι η μονάδα ελέγχου είναι απενεργοποιημένη πριν από κάθε σύνδεση ή αποσύνδεση του καλωδίου του εργαλείου.

Ειδικές προφυλάξεις

ΠΡΟΕΙΔΟΠΟΙΗΣΗ Κίνδυνος πρόσκρουσης

Η διπλή σκανδάλη υποχρεώνει τον χρήστη να χρησιμοποιεί και τα δύο χέρια του για να λειτουργήσει το εργαλείο. Αν δεν χρησιμοποιηθεί, ο χειριστής μπορεί να ενεργοποιήσει το εργαλείο κατά λάθος καθώς προσαρμόζει τη ράβδο αντίδρασης, με αποτέλεσμα να προκληθεί σοβαρός τραυματισμός στο χέρι.

- ▶ Βεβαιωθείτε ότι το εργαλείο δεν μπορεί να ξεκινήσει να λειτουργεί, μόλις απελευθερωθεί η διπλή σκανδάλη.
- ▶ Δοκιμάζετε πάντα το εργαλείο απελευθερώνοντας πρώτα τη σκανδάλη της διπλής σκανδάλης και στη συνέχεια πιέζοντας τη σκανδάλη του εργαλείου. Αν το εργαλείο ξεκινήσει, σταματήστε την εργασία σας.

Γενική Ασφάλεια Λειτουργίας

- **Λόγω του κινδύνου εμπλοκής, μην φοράτε γάντια.**
- **Να είστε προετοιμασμένοι για τη δύναμη αντίδρασης που θα ασκηθεί κατά τη χρήση του εργαλείου.** Να υποστηρίζετε πάντα τη λαβή του εργαλείου σταθερά προς την αντίθετη κατεύθυνση της περιστροφής του άξονα, προκειμένου να ελαττώνεται η επίδραση μιας απότομης αντίδρασης ροπής κατά τη διάρκεια της τελικής σύσφιξης και της αρχικής χαλάρωσης.
- **Μην κρατάτε ποτέ τον οδηγό, την υποδοχή ή την προεξοχή του οδηγού.**
- **Οι χειριστές και το προσωπικό συντήρησης πρέπει να είναι φυσικά ικανό να χειρίζεται τον όγκο, βάρος και δύναμη του εργαλείου.**
- **Αν είναι δυνατό, χρησιμοποιήστε ένα βραχίονα ανάρτησης για να απορροφήσει την αντίδραση στρέψης.** Αν αυτό δεν είναι δυνατό, οι πλαϊνές λαβές συνιστώνται για τα εργαλεία με ευθύ περίβλημα και με λαβή πιστολιού· οι ράβδοι αντίδρασης συνιστώνται για τους γωνιακούς συστροφείς παξιμαδιών. Συνιστάται να χρησιμοποιείτε ένα μέσον για την απορρόφηση της ροπής αντίδρασης πάνω από 4 Nm (3 lbf.ft) για εργαλεία με ευθεία κατεύθυνση, πάνω από 10 Nm (7.5 lbf.ft) για εργαλεία χειρισμού πιστόλι και πάνω από 60 Nm (44 lbf. ft) για τους γωνιακούς συστροφείς παξιμαδιών.
- **Δύναται να προκληθούν σοβαροί τραυματισμοί από την υπερβολική στρέβλωση ή μη στρέβλωση σε συνδετήρες.** Τα συστήματα που απαιτούν σύσφιξη σε συγκεκριμένη τιμή ροπής στρέψης, πρέπει να ελέγχονται με τη βοήθεια δυναμομετρικού κλειδιού. Τα δυναμομετρικά κλειδιά τύπου «κλικ» δεν ελέγχουν για ενδεχομένως επικίνδυνες καταστάσεις υπερβολικής σύσφιξης. Οι σφιχτοί ή οι χαλαροί συνδετήρες μπορούν να σπάσουν, να χαλαρώσουν ή να ξεχωρίσουν. Τυχόν απελευθερωμένα συγκροτήματα μπορεί να εκτοξευτούν.

- Χρησιμοποιείτε μόνο υποδοχές σε καλή κατάσταση που τοποθετούνται ηλεκτρικά ή με πρόσκρουση. Μη χρησιμοποιείτε υποδοχές που τοποθετούνται με το χέρι.
- Όταν χρησιμοποιείτε ένα εργαλείο, ο χειριστής είναι δυνατό να νιώσει δυσκολία στα χέρια, τους βραχίονες, τους ώμους, τον αυχένα ή σε άλλες περιοχές του σώματος. Διαλέγετε μεταξύ των κατάλληλων στάσεων καθ' όλη τη διάρκεια της ημέρας εργασίας, διατηρείτε μια ασφαλή βάση και αποφεύγετε τις δύσκολες ή μη ισορροπημένες στάσεις.
- Οι επαναλαμβανόμενες κινήσεις κατά την εργασία, οι ασυνήθιστες θέσεις και η έκθεση σε δονήσεις μπορεί να είναι βλαβερή στα χέρια και τους βραχίονες. Εάν παρουσιαστεί μούδιασμα, μυρμηκίαση ή άσπρισμα του χρώματος του δέρματος, σταματήστε τη χρήση του εργαλείου και συμβουλευτείτε έναν ιατρό.
- Προσέχετε όταν εργάζεστε σε περιορισμένους χώρους. Προσέχετε για να αποφύγετε τη σύνθλιψη των χεριών σας ανάμεσα στο εργαλείο και το υπό επεξεργασία αντικείμενο.
- Υψηλές στάθμες θορύβου μπορεί να προκαλέσουν μόνιμη απώλεια ακοής. Χρησιμοποιείτε προστασία ακοής σύμφωνα με τις οδηγίες του εργοδότη σας ή τους κανονισμούς για την υγεία και την ασφάλεια στην εργασία.
- Φροντίστε το αντικείμενο εργασίας να στερεώνεται με ασφάλεια.
- Συνεχίστε με προσοχή σε περιβάλλοντα με τα οποία δεν είστε εξοικειωμένος/η. Να έχετε επίγνωση των ενδεχόμενων κινδύνων που δημιουργούνται από την εργασιακή σας δραστηριότητα. Αυτό το εργαλείο δεν είναι μονωμένο για περιπτώσεις επαφής με πηγές ηλεκτρικής ενέργειας.

Εργαλεία που χρησιμοποιούνται μαζί με μια μπάρα αντίδρασης: Μην βάζετε ποτέ το χέρι σας δίπλα ή κοντά στην δοκό αντίδρασης ενώ το εργαλείο βρίσκεται σε λειτουργία. Λάβετε υπόψη την περιστροφική κατεύθυνση του άξονα πριν από την ενεργοποίηση του εργαλείου, καθώς η δύναμη αντίδρασης ενδέχεται να ασκηθεί προς απρόσμενη κατεύθυνση, επιφέροντας τραυματισμούς.

Εργαλεία που περιέχουν συμπλέκτη: Μην χρησιμοποιείτε ποτέ το προϊόν χωρίς να ελέγξετε πρώτα αν ο συμπλέκτης είναι απελευθερωμένος. Αμέσως μόλις προσαρμόσετε το συμπλέκτη, ελέγξτε ως προς τη σωστή λειτουργία.

⚠️ ΠΡΟΕΙΔΟΠΟΙΗΣΗ Κίνδυνος τραυματισμού

Βεβαιωθείτε ότι χρησιμοποιείται το σωστό αρχείο παραμέτρων. Το λάθος αρχείο παραμέτρου μπορεί να προκαλέσει πολύ υψηλή ροπή με αποτέλεσμα τον τραυματισμό.

- ▶ Συγκρίνετε τη μέγιστη ροπή που εμφανίζεται στον ελεγκτή, με τη μέγιστη ροπή που αναφέρεται στα τεχνικά δεδομένα του εργαλείου, θα πρέπει να είναι τα ίδια.

Γενικές οδηγίες

Το εργαλείο επιτρέπεται να χρησιμοποιηθεί μόνο σε συνδυασμό με την αντίστοιχη ράβδο αντίδρασης, η οποία προσαρμόζεται στην εκάστοτε εφαρμογή συναρμογής βίδας.

⚠️ ΠΡΟΕΙΔΟΠΟΙΗΣΗ Κίνδυνος πρόσκρουσης



Πραγματοποιήστε έλεγχο της φοράς περιστροφής του εργαλείου πριν το ενεργοποιήσετε! Η ενεργοποίηση σε απροσδόκητη φορά περιστροφής μπορεί να προκαλέσει υλικές ζημιές ή σωματικές βλάβες. Τα κινούμενα μέρη δύναται να σπάσουν και να κοπούν.

- ▶ Βεβαιωθείτε ότι η φορά περιστροφής του εργαλείου είναι σωστή πριν ενεργοποιήσετε το εργαλείο.
- ▶ Κρατάτε τα χέρια και τα δάκτυλα μακριά από τα κινούμενα εξαρτήματα.

Λειτουργία του εργαλείου

1. Συναρμολογήστε τη ράβδο αντίδρασης ακολουθώντας τις οδηγίες ασφαλείας που περιγράφονται σε αυτό το έγγραφο.
2. Τοποθετήστε το εργαλείο με μια κατάλληλη πρίζα ακολουθώντας τις οδηγίες ασφαλείας που περιγράφονται σε αυτό το έγγραφο.
3. Ρυθμίστε τη σωστή λειτουργία χρησιμοποιώντας τα κουμπιά ρυθμίσεων (4) και την οθόνη απεικόνισης (3).
4. Επιλέξτε τη σωστή κατεύθυνση χρησιμοποιώντας το κουμπί αντιστροφής (6).
5. Τοποθετήστε το εργαλείο και το βραχίονα αντίδρασης (7) σύμφωνα με τις οδηγίες ασφαλείας που περιγράφονται σε αυτό το έγγραφο.
6. Πιέστε και κρατήστε την πίεση στον δεύτερο πυροκροτητή (1).
7. Πιέστε και κρατήστε την πίεση στον κύριο πυροκροτητή (2).
8. Διατηρήστε την πίεση των πυροκροτητών (1 & 2) έως το τέλος της λειτουργίας.
9. Ελέγξτε την κατάσταση λειτουργίας στα LED αναφοράς (5). Πράσινο (Ok), Κόκκινο (NOk).

Μπαταρία

Μπαταρίες που δεν έχουν χρησιμοποιηθεί για κάποιο χρονικό διάστημα πρέπει να επαναφορτίζονται πριν από κάθε χρήση.

Θερμοκρασίες που υπερβαίνουν τους 50°C (122°F) μειώνουν την απόδοση της μπαταρίας. Αποφύγετε την εκτεταμένη έκθεση σε θερμότητα ή ηλιοφάνεια (κίνδυνος υπερθέρμανσης).

Τα σημεία επαφής των φορτιστών και των μπαταριών πρέπει να διατηρούνται καθαρά.

Για βέλτιστη διάρκεια ζωής, οι μπαταρίες πρέπει να φορτίζονται πλήρως μετά τη χρήση. Για τη μεγαλύτερη δυνατή διάρκεια ζωής της μπαταρίας, αφαιρέστε το φορτιστή από την μπαταρία μόλις φορτιστεί πλήρως.

Η συστοιχία μπαταρίας διαθέτει προστασία υπερφόρτωσης, που την προστατεύει από την υπερφόρτωση και βοηθά να εξασφαλίσετε μεγαλύτερη διάρκεια ζωής. Σε υπερβολική ένταση τα ηλεκτρονικά στοιχεία της μπαταρίας

απενεργοποιούν αυτόματα το προϊόν. Για επανεκκίνηση, απενεργοποιήστε και ενεργοποιήστε πάλι το προϊόν. Εάν το προϊόν δεν ξεκινά πάλι, η συστοιχία μπαταρίας μπορεί να έχει αποφορτιστεί πλήρως. Στην περίπτωση αυτή, πρέπει να επαναφορτίσετε με το φορτιστή μπαταριών.

Οδηγίες συντήρησης

- Τηρείτε τους τοπικούς περιβαλλοντικούς κανονισμούς ανά χώρα για τον ασφαλή χειρισμό και τη διάθεση όλων των εξαρτημάτων.
- Εργασίες συντήρησης και επισκευών πρέπει να διεξάγονται αποκλειστικά από καταρτισμένο προσωπικό και πρέπει να χρησιμοποιούνται μόνο αυθεντικά ανταλλακτικά. Επικοινωνήστε με τον κατασκευαστή ή τον πλησιέστερο εξουσιοδοτημένο αντιπρόσωπό της περιοχής σας για οδηγίες σχετικά με την τεχνική συντήρηση ή αν χρειάζεστε ανταλλακτικά.
- Να βεβαιώνετε πάντοτε ότι η συσκευή είναι αποσυνδεδεμένη από την πηγή παροχής ενέργειας, για να αποφύγετε την ακούσια λειτουργία.
- Αποσυναρμολογείτε και επιθεωρείτε το εργαλείο ανά τρεις (3) μήνες, αν το εργαλείο χρησιμοποιείται καθημερινά. Αντικαταστήστε κατεστραμμένα ή φθαρμένα εξαρτήματα.
- Μην αφήνετε ποτέ υγρά φρένων, βενζίνη, προϊόντα πετρελαίου, διεισδυτικά λάδια κ.λπ. να έρθουν σε επαφή με πλαστικά εξαρτήματα. Τα χημικά μπορεί να βλάψουν, αποδυναμώσουν ή καταστρέψουν πλαστικά μέρη, το οποίο μπορεί να οδηγήσει σε σοβαρό τραυματισμό.
- Αποφύγετε τη χρήση διαλυτών όταν καθαρίζετε πλαστικά εξαρτήματα. Τα περισσότερα πλαστικά είναι επιρρεπή σε φθορές από διάφορους τύπους διαλυτών του εμπορίου, η χρήση των οποίων μπορεί να τα καταστρέψει. Να χρησιμοποιείτε καθαρά υφάσματα για την απομάκρυνση ακαθαρσιών, σκόνης, λαδιού, γράσου κ.λπ.

Απόρριψη

- Η απόρριψη αυτού του εξοπλισμού πρέπει να ακολουθεί τη νομοθεσία της αντίστοιχης χώρας.
- Όλες οι συσκευές που έχουν υποστεί ζημιά, φθορά ή δεν λειτουργούν σωστά ΠΡΕΠΕΙ ΝΑ ΑΠΟΣΥΡΟΝΤΑΙ ΑΠΟ ΤΗ ΛΕΙΤΟΥΡΓΙΑ.

Πινακίδες και Αυτοκόλλητα

Το προϊόν διαθέτει σήματα και αυτοκόλλητα που περιέχουν σημαντικές πληροφορίες για την ατομική ασφάλεια και τη συντήρηση του προϊόντος. Τα σήματα και τα αυτοκόλλητα πρέπει να είναι πάντοτε ευανάγνωστα. Μπορείτε να παραγγείλετε καινούργια σήματα και αυτοκόλλητα από τον κατάλογο ανταλλακτικών.



s011050

Σύμβολα



Αφαιρέστε την μπαταρία πριν ξεκινήσετε οποιαδήποτε εργασία στο μηχάνημα.



Διαβάστε προσεκτικά τις οδηγίες πριν θέσετε το μηχάνημα σε λειτουργία.



Μην απορρίπτετε ηλεκτρικά εργαλεία μαζί με οικιακά απόβλητα. Τα ηλεκτρικά εργαλεία και ο ηλεκτρονικός εξοπλισμός που έχουν φθάσει στο τέλος του κύκλου ζωής τους, πρέπει να συλλέγονται ξεχωριστά και να επιστρέφονται σε μονάδες ανακύκλωσης συμβατές με το περιβάλλον. Απευθυνθείτε στις τοπικές αρχές ή σε τοπικά καταστήματα για συμβουλές σχετικά με την ανακύκλωση και τα σημεία συλλογής.



Να φοράτε πάντα προστατευτικά γυαλιά όταν χρησιμοποιείτε το μηχάνημα.

n_0

Χωρίς ταχύτητα φορτίου.

V

Βολτ

ελάχ.⁻¹

ανά λεπτό



Συνεχές ρεύμα



ΠΡΟΣΟΧΗ! ΠΡΟΕΙΔΟΠΟΙΗΣΗ!
ΚΙΝΔΥΝΟΣ!

Χρήσιμες πληροφορίες

Διαδικτυακός τόπος

Πληροφορίες σχετικά με τα Προϊόντα, τα Εξαρτήματά, τα Ανταλλακτικά και τα Δημοσιευμένα θέματα μας βρίσκονται στον ιστότοπο Chicago Pneumatic .

Παρακαλούμε επισκεφθείτε: www.cp.com.

Χώρα προέλευσης

HUNGARY

Δελτίο δεδομένων ασφαλείας

Τα δελτία δεδομένων ασφαλείας περιγράφουν τα χημικά προϊόντα που πωλούνται από την Chicago Pneumatic.

Ανατρέξτε στον Chicago Pneumatic ιστότοπο για περισσότερες πληροφορίες qr.cp.com/sds.

Πνευματικά δικαιώματα

© Copyright 2022, CHICAGO PNEUMATIC Tool Co.LLC, 1815 Clubhouse Road, Rock Hill, SC 29730 - USA

Με την επιφύλαξη παντός δικαιώματος. Απαγορεύεται κάθε μη εξουσιοδοτημένη χρήση ή αντιγραφή των περιεχομένων ή μέρους τους. Αυτό ισχύει ιδίως για τα εμπορικά σήματα, τις επωνυμίες μοντέλων, τους αριθμούς ανταλλακτικών και τα σχεδιαγράμματα. Χρησιμοποιείτε μόνο εγκεκριμένα ανταλλακτικά. Οποιαδήποτε ζημιά ή δυσλειτουργία λόγω μη εγκεκριμένων ανταλλακτικών δεν καλύπτεται από την Εγγύηση ή την Ευθύνη για τα Προϊόντα.

Tekniska data

Produktbeskrivning

Se illustrationen 2: Produktbeskrivning

- 1 Andra tryckreglage
- 2 Huvudtryckreglage
- 3 Displayskärm
- 4 Inställningsknappar
- 5 LED-infolampor
- 6 Back-knapp
- 7 Mothåll av s-typ (medföljer verktyget)

Deklarationer

EU-FÖRSÄKRAN OM ÖVERENSSTÄMMELSE

Vi, **CHICAGO PNEUMATIC Tool Co.LLC**, 1815 Clubhouse Road, Rock Hill, SC 29730 - USA, försäkrar under eget ansvar att produkten (med namn, typ och serienummer, se framsida) uppfyller följande direktiv:

2006/42/EC; 2011/65/UE; 2014/53/UE

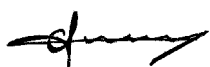
Tillämpade harmoniserade standarder: EN 62841-2-2:2014 + AC1:2015; EN 55014-1:2017+11:2020; EN 55014-2:2015; EN 61000-6-2:2019; EN 61000-6-3:2007 + A1:2011; EN 300328V222; EN 301489-17V324; EN 301489-1V223; EN 62311:2008; EN 62479:2010

Myndigheter kan begära relevant teknisk information från: Pascal Roussy, R&D Manager, Ets Georges Renault, 38 rue Bobby Sands, BP10273 44818 Saint Herblain, France

Saint-Herblain, 2022/01/26

Pascal ROUSSY

Utfärdarens underskrift



Meddelande om buller och vibrationer

- Ljudtrycksnivå < 72 dB(A) , osäkerhet 3 dB(A), i enlighet med EN 62841-2-2:2015.
- Ljudnivå < 83 dB(A) , osäkerhet 3 dB(A), i enlighet med EN 62841-2-2:2015.
- Totalt vibrationsvärde < 2.5 m/s², osäkerhet 3 m/s², i enlighet med EN 62841-2-2:2015.

Dessa deklarerade värden har erhållits genom laboratorieeter i enlighet med angivna direktiv eller standarder och är lämpliga att jämföra med deklarerade värden för andra maskiner som testats i enlighet med samma direktiv eller standarder. Värdena kan inte användas för riskbedömning och värden som uppmäts på individuella arbetsplatser kan vara högre. De faktiska exponeringsvärdena och de skaderisker som en enskild användare utsätts för är unika och beror på

personens arbetssätt, i vilket material maskinen används, användarens exponeringstid och fysiska kondition samt maskinens skick.

Vi på **CHICAGO PNEUMATIC Tool Co.LLC** kan inte hållas ansvarsskyldiga för konsekvenserna av att använda de angivna värdena istället för värden som återspeglar den faktiska exponeringen vid en individuell riskbedömning på en arbetsplats över vilken vi inte har någon kontroll.

Detta verktyg kan orsaka hand-armvibrationssyndrom om det inte används korrekt. En EU-guide för hantering av hand- och armvibrationer återfinns på webbplatsen <http://www.pneurop.eu/index.php> under Verktyg och sedan Lags-tiftning.

För att förebygga eventuella framtida åkommor rekommenderar vi att hälsokontroller genomförs för att upptäcka tidiga symptom som kan bero på vibrationsrelaterade arbetssuppgifter.

- ⓘ Om denna utrustning är avsedd för fixerade tillämpningar:
Ljudemissionerna anges som vägledning för maskinbyg-garen. Ljud- och vibrationsemissionsdata för hela maski-nen skall anges i instruktionshandboken till maskinen.

Specifikationer för trådlös kommunikation

BLUETOOTH LÅGENERGI 4.2®

Frekvens: 2400 MHz - 2483,5MHz

EIRP: <10 dBm

Varumärket Bluetooth® och logotyperna är registrerade varumärken som ägs av Bluetooth SIG, Inc

Regionala krav

⚠ VARNING

Denna produkt kan utsätta dig för kemikalier inklusive bly, som är känd för staten Kalifornien för att orsaka cancer och fosterskador och annan reproduktiv skada. För mer information gå in på

<https://www.p65warnings.ca.gov/>

Säkerhet

KASSERA EJ – GE TILL ANVÄNDAREN

⚠ VARNING Läs alla säkerhetsföreskrifter, instruktioner, illustrationer och specifikationer som medföljer produkten.

Om alla anvisningar nedan inte efterföljs finns risk för elchock, brand, svåra personskador och/eller skador på egendom.

Spara alla varningar och instruktioner för framtida bruk.

⚠ VARNING Alla lokala säkerhetsföreskrifter avseende installation, drift och underhåll skall alltid åtföljas.

Användningsintyg

- Endast för yrkesmässigt bruk.
- Denna produkt och medföljande tillbehör får inte modifieras på något sätt.
- Använd inte denna produkt om den har skadats.
- Om produktuppgifterna eller varningsskyltarna på produkten inte är läsliga eller lossnar ska de bytas omedelbart.
- Produkten får endast installeras, användas och servas av behöriga personer i en miljö för industriellt bruk.

Avsedd användning

Den här produkten är avsedd att endast användas av vuxna som har läst och förstått instruktionerna och varningarna i den här handboken och kan anses ansvariga för sina handlingar.

- Produkten är utformad för att sätta i och avlägsna gängade fästelement i trä, metall eller plast.
- Endast inomhusbruk
- Använd inte produkten för något annat ändamål än vad som beskrivs ovan.
- Ingen annan användning är tillåten

Rekommenderade batterier

8940176068: CP36XP25

Rekommenderad laddare

8940176069: CP18-36CH

Rekommenderat mothåll

Använd mothållet (7) som medföljer verktyget. För andra mothållsmodeller hänvisas till dokumentnummer 6159923710

Allmänna säkerhetsvarningar för elverktyg

⚠ VARNING Läs alla säkerhetsföreskrifter, instruktioner, illustrationer och specifikationer som medföljer produkten.

Om alla anvisningar nedan inte efterföljs finns risk för elchock, brand, svåra personskador och/eller skador på egendom.

Spara alla varningar och instruktioner för framtida bruk.

Termen "elverktyg" i varningarna syftar på ditt strömdrivna (med sladd) elverktyg eller batteridrivna (sladdlöst) elverktyg.

Säkerhet på arbetsplatsen

- **Håll arbetsområdet rent och väl upplyst.** Röriga eller mörka områden inbjuder till olyckor.
- **Använd inte eldrivna verktyg i explosiva atmosfärer, såsom i närvaro av brännbara vätskor, gaser eller damm.** Eldrivna verktyg alstrar gnistor som kan antända dammet eller ångorna.
- **Håll barn och kringstående på avstånd medan du använder ett elverktyg.** Störande moment kan få dig att förlora kontrollen.

Elsäkerhet

- **Elverktygens stickkontakter måste passa i motsvarande uttag. Modifiera aldrig kontakten på något sätt. Använd inte adapterkontakter med jordade elverktyg.** Fabrikskontakter och rätt uttag reducerar risken för elchock.
- **Undvik kroppskontakt med jordade ytor som rör, värmeelement, spisar och kylskåp.** Risken för elchock ökar om kroppen är jordad.
- **Utsätt inte elverktyg för regn eller väta.** Vatten som kommer in i ett elverktyg ökar risken för elchock.
- **Gör inte åverkan på sladden. Använd aldrig sladden för att bära, dra eller koppla ur elverktyget. Håll sladden bort från värme, olja, vassa kanter och rörliga delar.** Skadade eller intrasslade kablar ökar risken för elektriska stötar.
- **När du använder ett elverktyg utomhus måste du använda en förlängningskabel som är avsedd för utomhusbruk.** Användning av kabel som är avsedd för utomhusbruk minskar risken för elchock.
- **Om du måste använda ett elverktyg på en fuktig plats ska du använda strömförsörjning som är skyddad med jordfelsbrytare.** Användning av jordfelsbrytare minskar risken för elchock.

Personlig säkerhet

- **Var uppmärksam, tänk på vad du gör och använd sunt förnuft när du använder ett elverktyg. Använd inte ett elverktyg när du är trött eller under påverkan av droger, alkohol eller mediciner.** Ett ögonblicks ouppmärksamhet vid användning av elverktyg kan resultera i allvarliga personskador.
- **Använd personlig skyddsutrustning. Bär alltid ögonskydd.** Skyddsutrustning som stoftmask, halksäkra skyddsskor, hjälm eller hörselskydd kan i vissa fall reducera personskadorna.
- **Förhindra oavsiktlig start. Kontrollera att strömbrytaren är i avstängt läge innan du ansluter till strömkällan och/eller batteriet, och innan du lyfter upp eller bär verktyget.** Om du bär elverktyget med fingret på strömbrytaren eller strömsätter elverktyg som har strömbrytaren påslagen ökar olycksrisken.
- **Ta bort eventuella justernycklar eller hylsor innan du slår på elverktyget.** En hylsa eller en nyckel som sitter kvar på en roterande del av elverktyget kan orsaka personskador.
- **Sträck dig inte för långt. Ställ fötterna stadigt och ha alltid god balans.** Då har du bättre kontroll över elverktyget i oväntade situationer.
- **Bär lämpliga kläder. Bär inte löst sittande kläder eller smycken. Håll hår och kläder på behörigt avstånd från rörliga delar.** Lösa kläder, smycken eller långt hår kan fastna i rörliga delar.
- **Om apparaten är anpassad för att ansluta utrustning för utsug och uppsamling av damm, se till att dessa är anslutna och används korrekt.** Användning av dammuppsugning kan minska dammrelaterade risker.

- Även om du använder verktygen ofta får du inte låta slentrianen ta över – respektera alltid verktygens säkerhetsprinciper. En vårdslös åtgärd kan orsaka allvarliga skador på en bråkdel av en sekund.
- Håll i de isolerade greppytorna på motordrivna verktyg vid arbete där fästelementen kan komma i kontakt med dolda kablar. Fästelement som kommer i kontakt med en strömförande kabel kan göra att utsatta metalldelar blir strömförande, vilket kan ge användaren en elchock.

Användning och skötsel av elverktyget

- **Bruka inte våld på elverktyget. Använd rätt elverktyg för uppgiften.** Rätt elverktyg gör jobbet bättre och säkrare vid det varvtal för vilket verktyget har konstruerats.
- **Använd inte elverktyget om det inte startar och stoppar med strömbrytaren.** Elverktyg som inte kan styras med omkopplaren är farliga och måste repareras.
- **Dra ur stickkontakten från strömkällan och/eller från batteriet, om detta är möjligt, innan du gör justeringar, byter tillbehör eller förvarar elverktyg.** Sådana förebyggande säkerhetsåtgärder minskar risken för att elverktyget startar oavsiktligt.
- **Förvara elverktyg utom räckhåll för barn och låt inte ovana personer eller personer som inte har läst anvisningarna använda elverktygen.** Elverktyg är farliga i händerna på utbildade användare.
- **Underhåll elverktyg och tillbehör. Kontrollera om det finns rörliga delar som är fel inriktade eller kärvar, eller om några delar är trasiga eller något annat förhållande som kan påverka elverktygets funktion. Om elverktyget är skadat, låt reparera det före användning.** Många olyckor orsakas av dåligt underhållna elverktyg.
- **Håll kapverktyg vassa och rena.** Ordentligt underhållna kapverktyg med vassa skärkanter är mindre benägna att fastna och enklare att kontrollera.
- **Använd elverktyget, tillbehören och verktygsbitsen etc. i enlighet med dessa instruktioner och ta hänsyn till arbetsförhållandena och arbetet som ska utföras.** Användning av elverktyg för andra arbetsmoment än de som avses kan resultera i farliga situationer.
- **Håll handtag och gripytor torra, rena och fria från olja och fett.** Håll handtag och gripytor tillåter inte säker hantering och kontroll av verktyget i oväntade situationer.

Användning och skötsel av batteri och laddare

- **Ladda endast med laddaren som tillverkaren har specificerat.** En laddare som passar för en typ av batteri kan medföra risk för brand när den används för andra batterityper.
- **Använd endast elverktyg med de batterier som är avsedda för ändamålet.** Om andra batterier används kan det medföra risk för personskador och brand.
- **När ett batteri inte används, ska det förvaras på avstånd från andra metallföremål, såsom gem, mynt, nycklar, spikar, skruvar etc. som kan skapa en**

anslutning från den ena polen till den andra. En kortslutning av batteriets kontakter kan leda till brännskador eller brand.

- **Under ogynnsamma villkor kan vätska tränga ut från batteriet – undvik kontakt. Vid oavsiktlig kontakt, spola med vatten. Om du får vätska i ögonen, uppsök dessutom läkare.** Vätska från batteriet kan orsaka irritation eller brännskador.
- **Använd inte ett batteri eller verktyg som är skadat eller modifierat.** Skadade eller modifierade batterier kan fungera oförutsägbart vilket kan orsaka brand, explosion eller personskador.
- **Utsätt inte ett batteri eller verktyg för brand eller överhettning.** Exponering för brand eller temperatur över 130 °C kan leda till explosion.
- **Följ alla laddningsanvisningar och ladda inte batteriet eller verktyget utanför temperaturintervallet som anges i anvisningarna.** Felaktig laddning eller laddning vid temperaturer utanför det angivna intervallet kan skada batteriet och öka risken för brand.

Service

- **Låt verktyget servas av en kvalificerad reparatör som endast använder identiska reservdelar.** På så vis kommer elverktyget alltid att hålla högsta möjliga säkerhet.
- **Serva aldrig skadade batterier.** Service av batterier bör endast utföras av tillverkaren eller dennes auktoriserade tjänsteleverantörer.

Produktspecifika anvisningar

Varning!

För att minska risken för brand, personskador och materiella skador på grund av en kortslutning, sänk aldrig ner ditt verktyg, batteriet eller laddaren i vätska, låt inte heller vätskan rinna inuti dem. Frätande eller ledande vätskor, t.ex. havsvatten, vissa industriella kemikalier och blekmedel eller blekmedelsinnehållande produkter, etc. kan orsaka en kortslutning.

Särskilda försiktighetsåtgärder

- Maskinen får endast användas tillsammans med momentmothåll som är anpassat till det aktuella skruvförbandet.
- Använd den dubbla avtryckaren för att minska risken för att händer och fingrar fastnar mellan mothållet och arbetsstycket.

Allmän installation, säkerhet

Låt endast kvalificerad personal utföra installation.

Häng verktyget på ett säkert sätt, till exempel från ett balansblock. Om upphängningsbygel används, kontrollera att denna är felfri och korrekt monterad.

Anslut alltid systemet till ett jordat uttag. Se alltid till att nätkontakten är fränkopplad och att styrenheten är avslagen innan du ansluter eller kopplar från verktygskabeln.

Särskilda försiktighetsåtgärder

VARNING Klämrisk

Den dubbla avtryckaren tvingar användaren att använda båda händerna för att hantera verktyget. Om den inte används kan operatören oavsiktligt starta verktyget vid justering av mothållet, vilket kan orsaka allvarliga handskador.

- ▶ Kontrollera att verktyget inte går att starta när den dubbla avtryckaren släppts.
- ▶ Testa alltid verktyget genom att först släppa den dubbla avtryckarens avtryckare och sedan trycka in verktygets avtryckare. Om verktyget startar ska arbetet stoppas.

Allmän säkerhet vid användning

- **Bär inte handskar – risk för intrassling.**
- **Var förberedd på reaktionskraften som uppstår när verktyget används.** Stötta alltid upp verktygshandtaget på säkert sätt, i motsatt riktning till axelrotationen, för att minska effekten av en plötslig vridmomentsreaktion under slutlig åtdragning eller påbörjad lösgöring.
- **Håll aldrig i drivningen, hylsan eller drivningens förlängning.**
- **Operatörer och underhållspersonal måste vara fysiskt kapabla att hantera verktygets storlek, vikt och kraft.**
- **Använd om möjligt en upphängningsarm för att ta upp vridmomentsreaktionen. Om det inte är möjligt, rekommenderas sidohandtag på verktyg med raka maskinhus och med pistolhandtag; mothåll rekommenderas för vinklade mutterdragare.** Använd något som tar upp vridmomentsreaktionen över 4 Nm (3 lbf.ft) för verktyg med raka maskinhus, över 10 Nm (7,5 lbf.ft) för verktyg med pistolhandtag och över 60 Nm (44 lbf.ft) för vinklade mutterdragare.
- **Allvarliga personskador kan uppstå från över- eller underåtdragna fästelement.** Montering som kräver ett visst vridmoment måste kontrolleras med en vridmomentmätare. Så kallade "klick"-momentnycklar kontrollerar inte potentiellt farlig överåtdragning. Över- eller underåtdragna fästelement kan gå sönder, lossna eller separera. Enheter som lossnar kan bli till projektiler.
- **Använd endast hylsor för motor- och slagdrift i gott skick.** Använd inte handverktygshylsor.
- **Vid användning av motordrivna verktyg kan operatören uppleva obehag i händer, armar, axlar, nacke eller andra kroppsdelar.** Variera arbetsställningen på lämpligt sätt genom arbetsdagen, stå alltid säkert och undvik obalans eller obekväma arbetsställningar.
- **Monotona arbetsrörelser, obekväma ställningar och exponering för vibration kan vara skadligt för händer och armar.** Om någon del av kroppen domnar, smärtar eller vitnar ska verktyget sluta användas och läkares råd sökas.
- **Var försiktig vid arbete på begränsade ytor.** Se till att händerna inte kommer i kläm mellan verktyget och arbetsstycket.

- **Höga ljudnivåer kan orsaka permanenta hörsel-skador.** Använd hörselskydd som rekommenderas av din arbetsgivare eller föreskrifterna för arbetarskydd.
- **Kontrollera att arbetsstycket är säkert fastspänt.**
- **Arbeta försiktigt i områden som du inte känner till.** Var medveten om de potentiella risker som skapas av dina arbetsaktiviteter. Detta verktyg är inte isolerat från att komma i kontakt med elektriska strömkällor.

Verktyg som används tillsammans med mothåll: Håll ej handen på eller invid mothållet när maskinen används. Var medveten om spindelns rotationsriktning innan verktyget startas. Reaktionskraften kan vara riktad åt ett oväntat håll med risk för krosskador.

Verktyg som har koppling: Använd aldrig produkten utan att försäkra dig om att kopplingen släpper. Kontrollera att maskinen fungerar ordentligt när kopplingen justerats.

VARNING Risk för skada

Kontrollera att rätt parameterfil används. Fel parameterfil kan orsaka för högt moment vilket innebär risk för kroppsskada.

- ▶ Kontrollera att max. moment som visas i styrenheten och max. moment som anges i verktygets tekniska datablad är samma.

Allmänna instruktioner

Maskinen får endast användas tillsammans med tillhörande momentmothåll, som är anpassat till det aktuella skruvförbandet.

VARNING Klämrisk



Gör en kontroll av verktygets rotationsriktning före start! En start i en oväntad rotationsriktning kan orsaka kroppsskada eller egendomsskada. Rörliga delar kan krossa och skära.

- ▶ Se till att rotationsriktningen för verktyget är korrekt innan verktyget startas.
- ▶ Håll händer och fingrar borta från rörliga delar.

Använda verktyget

1. Montera mothållet enligt säkerhetsrutinerna i det här dokumentet.
2. Montera verktyget med en lämplig hylsa och följ säkerhetsrutinerna i det här dokumentet.
3. Ange rätt läge med inställningsknapparna (4) och skärmen (3).
4. Välj rätt riktning med backningsknappen (6).
5. Placera verktyget och reaktionsarmen (7) enligt säkerhetanvisningarna i det här dokumentet.
6. Tryck och håll press på det andra tryckreglaget (1).
7. Tryck och håll press på huvudtryckreglaget (2).

- Håll tryckreglagen intryckta (1 & 2) tills att arbetsmomentet har slutförts.
- Kontrollera driftsstatus på LED-infolamporna (5). Grön (OK), Red (NOK/underkänd).

Batteri

Batterier som inte har använts under en tid bör laddas bör laddas upp före användning.

Temperaturer över 50 ° C (122 ° F) minskar batteriets prestanda. Undvik utökad exponering för värme eller solsken (risk för överhettning).

Kontakterna på batteri och laddare måste hållas rena.

För en optimal livstid måste batterierna laddas fullständigt efter användning. För att få den längsta möjliga livslängd på batteriet, ta ut batteriet från laddaren när den är fulladdat.

Batteriet har överbelastningsskydd som skyddar det från att bli överbelastat och hjälper till att säkerställa lång livslängd. Under extrem stress stänger batterielektroniken automatiskt av produkten. För att starta om, stäng av produkten och slå sedan på den igen. Om produkten inte startar igen kan batteriet ha tömts fullständigt. I det fallet måste det laddas i laddaren.

Underhållsanvisningar

- Följ lokala miljöregler i användningslandet för säker hantering och omhändertagande av alla komponenter.
- Underhåll och reparationer måste utföras av behörig personal som endast använder originalreservdelar. Kontakta tillverkaren eller närmaste auktoriserade återförsäljare för råd om teknisk service eller om du behöver reservdelar.
- Se alltid till att maskinen är urkopplad från energikällan för att undvika misstag.
- Demontera och inspektera verktyget var 3:e månad om verktyget används varje dag. Byt ut skadade eller slitna delar.
- Låt aldrig bromsvätskor, bensen, petroleumbaserade produkter, penetrerande oljor etc. komma i kontakt med plastdelar. Kemikalier kan skada, försvaga eller förstöra plast som kan leda till allvarliga personskador.
- Undvik att använda lösningsmedel vid rengöring av plastdelar. De flesta plastmaterial är mottagliga för skador från olika typer av kommersiella lösningsmedel och kan skadas av användningen. Använd rena trasor för att avlägsna smuts, damm, olja, fett etc.

Bortskaffning

- Kassera utrustningen i enlighet med nationell lagstiftning.
- Alla skadade, mycket slitna eller felaktiga enheter **MÅSTE TAS UR BRUK.**

Skyltar och dekal

Produkten är försedd med skyltar och dekaler med viktig information om personlig säkerhet och produktunderhåll. Skyltarna och dekalerna måste alltid vara lätta att läsa. Nya skyltar och dekaler kan beställas med hjälp av reservdelslistan.



s011050

Skyltar



Ta bort batteriet innan du börjar arbeta på maskinen.



Läs noggrant igenom bruksanvisningen innan du startar maskinen.



Kassera inte elektriska verktyg tillsammans med hushållsavfall. Elektriska verktyg och elektronisk utrustning som har nått slutet av deras livslängd måste kasseras separat och återlämnas till en miljövänlig återvinningsanläggning. Kontakta din lokala myndighet eller återförsäljare för råd om återvinning och insamlingspunkt.



Använd alltid skyddsglasögon när du använder maskinen.

n₀

Obelastat varvtal.

V

Volt

min⁻¹

per minut



Likström



SE UPP! VARNING! FARA!

Användbar information

Webbplats

Information om våra produkter, tillbehör, reservdelar och publicerade ärenden hittar du på webbplatsen för Chicago Pneumatic

Besök: www.cp.com.

Ursprungsland

HUNGARY

Säkerhetsdatablad

Säkerhetsdatabladet beskriver de kemiska produkter som säljs av Chicago Pneumatic.

Besök webbplatsen för Chicago Pneumatic om du vill veta mer qr.cp.com/sds.

Copyright

© Copyright 2022, CHICAGO PNEUMATIC Tool Co.LLC, 1815 Clubhouse Road, Rock Hill, SC 29730 - USA

Med ensamrätt. All obehörig användning eller kopiering av innehållet eller del därav är förbjuden. Detta gäller särskilt varumärken, modellbeteckningar, artikelnummer och ritningar. Använd bara godkända delar. Skador eller fel som orsakas genom användning av icke godkända delar täcks inte av garanti eller företagets produktansvar.

Технические данные

Описание продукции

Обратитесь к иллюстрации 2: Описание продукции

- 1 Второй курок
- 2 Главный курок
- 3 Экран дисплея
- 4 Кнопки настроек
- 5 Информационные светодиоды
- 6 Кнопка реверса
- 7 Реактивная штанга s-типа (поставляется вместе с инструментом)

Декларации

ДЕКЛАРАЦИЯ О СООТВЕТСТВИИ ЕС

Компания CHICAGO PNEUMATIC Tool Co.LLC, 1815 Clubhouse Road, Rock Hill, SC 29730 - USA, с полной ответственностью заявляет, что данное изделие (наименование, тип и серийный номер которого указаны на титульном листе) соответствует положениям следующих директив:

2006/42/EC; 2011/65/UE; 2014/53/UE

Были применены следующие согласованные стандарты: EN 62841-2-2:2014 + AC1:2015; EN 55014-1:2017+11:2020; EN 55014-2:2015; EN 61000-6-2:2019; EN 61000-6-3:2007 + A1:2011; EN 300328V222; EN 301489-17V324; EN 301489-1V223; EN 62311:2008; EN 62479:2010

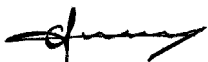
Официальные органы могут запросить соответствующую техническую информацию у следующих лиц:

Pascal Roussy, R&D Manager, Ets Georges Renault, 38 rue Bobby Sands, BP10273 44818 Saint Herblain, France

Saint-Herblain, 2022/01/26

Pascal ROUSSY

Подпись заявителя



Декларация по шумам и вибрации

- Уровень звукового давления < 72 дБ(А), погрешность 3 дБ(А), в соответствии со стандартом EN 62841-2-2:2015.
- Уровень звуковой мощности < 83 дБ(А), погрешность 3 дБ(А), в соответствии со стандартом EN 62841-2-2:2015.
- Суммарное значение вибрации < 2.5 м/с², погрешность 3 м/с², в соответствии со стандартом EN 62841-2-2:2015.

Заявленные значения были получены при помощи лабораторных тестов, проведенных в соответствии с установленными стандартами, могут быть использованы для сравнения с заявленными значениями, полученными при испытании других инструментов в соответствии с теми же стандартами. Эти заявленные значения неприменимы для оценки риска; результаты фактических измерений при работе на индивидуальном рабочем месте могут быть выше. Фактические значения воздействия и риск ущерба, которым подвергается пользователь, индивидуальны и зависят от метода работы, изделия и устройства рабочего места, а также от времени воздействия и физического состояния пользователя.

Компания CHICAGO PNEUMATIC Tool Co.LLC не может нести ответственность за последствия использования заявленных значений вместо значений, отражающих фактическое воздействие, при оценке индивидуальных рисков в ситуации на рабочем месте, которую компания не в состоянии контролировать.

При ненадлежащей манере использования данный инструмент может вызвать вибрационный синдром рук. Руководство ЕС о том, как справляться с воздействием вибрации на руки, можно найти на веб-сайте <http://www.pneurop.eu/index.php> (выберите меню "Tools", а затем "Legislation").

Мы рекомендуем программу контроля за здоровьем, которая обеспечивает раннее обнаружение симптомов вредного воздействия вибрации и позволяет своевременно пересмотреть процедуры обслуживания, чтобы предотвратить дальнейшее ухудшение.

- ⓘ Если данное оборудование предназначено для закрепленных систем:
Значение излучения шума приведено в качестве руководящей информации для изготовителя устройства. Данные по излучению шума и вибрации для всего устройства должны быть приведены в руководстве по эксплуатации устройства.

Спецификации беспроводного соединения

BLUETOOTH С НИЗКИМ ЭНЕРГОПОТРЕБЛЕНИЕМ 4.2®

Частота: 2400 МГц – 2483,5 МГц

ЭИИМ: < 10 дБм

Торговая текстовая марка и логотипы Bluetooth® представляют собой зарегистрированные товарные знаки Bluetooth SIG, Inc

Региональные требования

⚠ ПРЕДУПРЕЖДЕНИЕ

В процессе использования данного продукта существует опасность подвергнуться воздействию химических веществ, в частности, свинца, который, согласно данным, имеющимся в штате Калифорния, вызывает раковые заболевания, врожденные дефекты развития или другие патологии репродуктивной системы. Более подробная информация представлена на веб-сайте

<https://www.p65warnings.ca.gov/>

Безопасность

НЕ ВЫБРАСЫВАТЬ — ПЕРЕДАТЬ ПОЛЬЗОВАТЕЛЮ

⚠ ПРЕДУПРЕЖДЕНИЕ Ознакомьтесь со всеми предупреждениями по безопасной работе, инструкциями, иллюстрациями и спецификациями, которые поставляются вместе с данным изделием.

Несоблюдение приведенных ниже инструкций может привести к поражению электрическим током, пожару, материальному ущербу и/или серьезной травме.

Сохраните все предупреждения и инструкции для справки на будущее.

⚠ ПРЕДУПРЕЖДЕНИЕ Необходимо неукоснительно соблюдать все местные законодательно закрепленные правила техники безопасности, касающиеся установки, эксплуатации и техобслуживания.

Предписание по использованию

- Только для профессионального использования.
- Запрещается модифицировать данное изделие и его принадлежности каким-либо образом.
- В случае повреждения данного изделия его использование запрещено.
- Если этикетка с информацией об изделии или с предупредительными знаками на корпусе изделия стала неразборчивой или отклеилась, без промедления замените ее.
- Данное устройство должно устанавливаться, эксплуатироваться и обслуживаться только квалифицированным персоналом в промышленных условиях.

Назначение

Данное изделие предназначено для использования только взрослыми, которые прочли и поняли все инструкции и предупреждения, содержащиеся в данном руководстве, и которых можно считать ответственными за свои действия.

- Данное изделие предназначено для установки и удаления резьбовых крепежных деталей из древесины, металла или пластика.

- Использование только в помещении
- Запрещается использовать данное изделие для целей, которые не описаны выше.
- Любое другое использование запрещено

Рекомендованные аккумуляторы

8940176068 CP36XP25

Рекомендованное зарядное устройство

8940176069 CP18-36CH

Рекомендованная реактивная штанга

Используйте реактивную штангу (7), поставляемую с инструментом. Для других моделей информацию о реактивной штанге см. в документе 6159923710

Общие предупреждения по безопасной работе с электроинструментами

⚠ ПРЕДУПРЕЖДЕНИЕ Ознакомьтесь со всеми предупреждениями по безопасной работе, инструкциями, иллюстрациями и спецификациями, которые поставляются вместе с данным изделием.

Несоблюдение приведенных ниже инструкций может привести к поражению электрическим током, пожару, материальному ущербу и/или серьезной травме.

Сохраните все предупреждения и инструкции для справки на будущее.

Понятие "механизированный инструмент" в предупреждениях означает ваш работающий от сети (проводной) или от аккумулятора (беспроводной) механизированный инструмент.

Техника безопасности на рабочем месте

- Рабочее место должно быть чистым и хорошо освещенным. Беспорядок и темнота способствуют возникновению несчастных случаев.
- Запрещается работать с механизированными инструментами во взрывоопасных атмосферах, например в присутствии легковоспламеняющихся жидкостей, газов или пыли. Механизированные инструменты являются источниками искр, которые могут воспламенить пыль или испарения.
- При работе с механизированным инструментом необходимо удалить из рабочей зоны детей и посторонних лиц. При отвлечении внимания вы можете потерять контроль над инструментом.

Электробезопасность

- Штепсельные вилки механизированных инструментов должны соответствовать розетке. Запрещается модифицировать вилку каким-либо образом. Запрещается использовать штепсели-переходники любого рода с заземляемыми механизированными инструментами. Немодифицированные штепсельные вилки и соответствующие им розетки снижают риск поражения электрическим током.

- **Избегайте телесного контакта с заземленными поверхностями, такими как трубы, батареи отопления, кухонные плиты и холодильники.** При заземлении вашего тела повышается риск поражения электрическим током.
- **Не помещайте механизированные инструменты под дождь или во влажные условия.** Проникновение воды в механизированный инструмент повышает риск поражения электрическим током.
- **Со шнуром питания следует обращаться правильно.** Запрещается использовать шнур для переноски, подтягивания или выключения приводного инструмента из розетки. Шнур должен располагаться вдали от источников тепла, масла, острых краев и движущихся частей. Поврежденные или спутанные шнуры питания повышают риск поражения электрическим током.
- **При работе с механизированным инструментом на открытом воздухе используйте удлинитель, подходящий для работы вне помещений.** Использование шнура питания, подходящего для работы вне помещений, снижает риск поражения электрическим током.
- **Если не удается избежать работы с механизированным инструментом во влажных условиях, используйте источник питания с устройством защитного отключения (УЗО).** Использование УЗО снижает риск поражения электрическим током.

Личная безопасность

- **При работе с механизированным инструментом сохраняйте бдительность, следите за своими действиями и руководствуйтесь здравым смыслом.** Запрещается использовать механизированный инструмент, если вы устали или находитесь под воздействием медицинских препаратов, алкоголя или наркотических веществ. Ослабление внимания всего на мгновение при работе с механизированными инструментами может стать причиной серьезной травмы.
- **Используйте оборудование для личной защиты.** Всегда надевайте средство защиты глаз. Средства защиты, такие как пылезащитная маска, нескользящая защитная обувь, каска или средство защиты органов слуха, используемые в соответствующих условиях, снижают риск получения травм.
- **Предотвращайте непреднамеренный запуск устройства.** Перед подключением к источнику питания и/или аккумуляторному блоку, поднятием или переноской инструмента убедитесь, что выключатель находится в положении "выкл.". Переноска механизированных инструментов с пальцем на выключателе или подача питания на механизированные инструменты с выключателем в положении "вкл." способствует возникновению несчастных случаев.

- **Уберите все регулировочные и гаечные ключи перед включением механизированного инструмента.** Ключ, оставленный на вращающейся части механизированного инструмента, может стать причиной травмы.
- **Не переоценивайте свои силы. Всегда сохраняйте устойчивое положение ног и равновесие.** Это позволит лучше контролировать механизированный инструмент в непредвиденных ситуациях.
- **Одевайтесь надлежащим образом. Не надевайте свободную одежду или ювелирные украшения.** Волосы и одежда должны находиться на безопасном расстоянии от движущихся частей. Свободную одежду, ювелирные украшения или длинные волосы может затянуть в инструмент движущимися частями.
- **Если предусмотрены устройства для подключения установок удаления и улавливания пыли, убедитесь, что они подключены и используются надлежащим образом.** Применение пылеуловителей может уменьшить опасности, связанные с пылью.
- **Приобретя в результате частого использования инструмента навыки работы с ним, не допускайте беспечности и не игнорируйте принципы техники безопасности.** Халатность может приводить к серьезным травмам за доли секунд.
- **При работе в местах, где крепеж может войти в контакт со скрытой электропроводкой, механизированный инструмент следует держать за изолированные поверхности захвата.** Контакт крепежных элементов с проводом, находящимся под напряжением, может передать напряжение на оголенные металлические части электроинструмента и привести к поражению оператора электрическим током.

Использование и обслуживание механизированных инструментов

- **Не прилагайте усилие к механизированному инструменту. Используйте надлежащий приводной инструмент для своей области применения.** Правильно подобранный инструмент позволит выполнить работу лучше и безопаснее со скоростью, для которой он был разработан.
- **Не используйте механизированный инструмент, если выключатель не включает и не выключает его.** Любой приводной инструмент, которым невозможно управлять с помощью выключателя, опасен и подлежит обязательному ремонту.
- **Перед выполнением любых регулировок, заменой принадлежностей или помещением механизированных инструментов на хранение отсоедините штепсельную вилку, если она является отсоединяемой, от источника питания и/или аккумуляторный блок от механизированного инструмента.** Такие профилактические меры безопасности снижают риск случайного запуска приводного инструмента.

- Храните неработающие механизированные инструменты в недоступном для детей месте и не позволяйте работать с механизированным инструментом лицам, не знакомым с ним или с данными инструкциями. В руках неподготовленных пользователей приводные инструменты опасны.
- Проводите техническое обслуживание электроинструментов и принадлежностей. При проверке следует обращать внимание на смещение или заедание движущихся частей, повреждение деталей и любые другие состояния, которые могут негативно отразиться на работе приводного инструмента. При обнаружении повреждения обязательно отремонтируйте электроинструмент перед его дальнейшим использованием. Многие несчастные случаи происходят по причине плохого техобслуживания электроинструментов.
- Режущие инструменты всегда должны быть острыми и чистыми. Обслуживаемые надлежащим образом режущие инструменты с острыми режущими кромками с меньшей вероятностью будут заедать, и их будет легче контролировать.
- Используйте механизированный инструмент, принадлежности, вставные резцы и пр. в соответствии с данными инструкциями, учитывая условия эксплуатации и характер выполняемой работы. Использование приводного инструмента не по назначению может приводить к возникновению опасных ситуаций.
- Ручки и хватные поверхности должны оставаться сухими и чистыми, и на них не должно быть масла или смазки. Скользкие ручки и хватные поверхности препятствуют безопасному обращению и работе с инструментом в незапланированных ситуациях.

Использование и обслуживание аккумуляторных инструментов

- Заряжайте аккумулятор только с помощью зарядного устройства, указанного изготовителем. Зарядное устройство, которое подходит для одного типа аккумуляторного блока, может создать риск возгорания при использовании с другим аккумуляторным блоком.
- Механизированные инструменты следует использовать только со специально предназначенными аккумуляторными блоками. Применение любых других аккумуляторных блоков может создать риск возгорания и получения травмы.
- Когда аккумуляторный блок не используется, держите его вдали от других металлических предметов, таких как скрепки для бумаги, монеты, ключи, гвозди, винты или другие мелкие металлические предметы, которые могут соединить одну клемму с другой. Закорачивание клемм аккумулятора между собой может привести к возгоранию или получению ожогов.

- При ненадлежащем обращении из аккумулятора может вытечь жидкость; избегайте контакта с ней. При случайном контакте с жидкостью промойте место контакта водой. В случае попадания жидкости в глаза дополнительно обратитесь за медицинской помощью. Жидкость, вытекшая из аккумулятора, может вызвать раздражение или ожоги.
- Не пользуйтесь поврежденным или неисправным аккумуляторным блоком или инструментом. Поврежденные или модифицированные батареи могут демонстрировать непредсказуемое поведение, приводящее к возгоранию, взрыву или риску травмирования.
- Не подвергайте аккумуляторный блок или инструмент воздействию пожара или чрезмерно высокой температуры. Воздействие огня или температур свыше 130°C может привести к взрыву.
- Соблюдайте все инструкции по зарядке и не заряжайте аккумуляторный блок или инструмент вне температурного диапазона, указанного в инструкциях. При зарядке с нарушением правил или вне указанного температурного диапазона возможно повреждение аккумуляторной батареи и повышение риска возгорания.

Обслуживание

- Электроинструмент должен обслуживаться квалифицированным специалистом по ремонту с применением только идентичных запасных частей. Это обеспечит неизменно безопасную работу механизированного инструмента.
- Ни в коем случае не ремонтируйте поврежденные аккумуляторные блоки. Ремонт аккумуляторных блоков должен выполняться производителем или авторизованными поставщиками услуг.

Особые инструкции по устройству

Осторожно!

Для снижения риска воспламенения, травмы и повреждения инструмента от короткого замыкания запрещается погружать аккумуляторный блок или зарядное устройство в жидкость. Необходимо предотвращать попадание жидкости в них. Коррозийные или проводящие жидкости (например морская вода, отдельные химические вещества промышленного назначения, отбеливающие вещества или вещества с содержанием отбеливающих средств и др.) могут стать причиной короткого замыкания.

Особые меры предосторожности в

- Данное устройство разрешается использовать только вместе с соответствующей штангой реактивного момента, приспособленной для конкретной системы винтовых соединений.

- Необходимо использовать двойной курок, чтобы свести к минимуму риск защемления пальцев или рук между реактивной штангой и обрабатываемой деталью.

Общие требования безопасности при установке

Проводить установку разрешается только силами квалифицированного персонала.

Надежно подвесьте инструмент, например, с помощью балансирующего устройства. При использовании подвесного хомута убедитесь, что он находится в хорошем состоянии и закреплен надлежащим образом.

Систему всегда следует подключать к заземленной сетевой розетке. Перед подсоединением или отсоединением кабеля инструмента обязательно убедитесь, что сетевая вилка отключена, а контроллер выключен.

Особые меры предосторожности

⚠ ПРЕДУПРЕЖДЕНИЕ Опасность раздавливания

Двойной курок заставляет пользователя держать инструмент двумя руками во время работы. Если не использовать данную принадлежность, оператор может случайно запустить инструмент во время регулировки реактивного упора, что может привести к серьезной травме рук.

- ▶ Убедитесь, что инструмент нельзя запустить, когда двойной курок отпущен.
- ▶ Всегда проверяйте инструмент, отпустив сначала пусковой механизм двойного курка и затем нажав пусковой механизм инструмента. Если инструмент придет в действие, остановите работу.

Общие требования безопасности при эксплуатации

- Запрещается надевать перчатки в связи с риском наматывания.
- Будьте готовы к отдаче, возникающей при работе инструмента. Следует всегда крепко упираться в рукоятку инструмента в направлении, противоположном вращению шпинделя, чтобы уменьшить воздействие внезапно возникающего реактивного крутящего момента в процессе окончательной затяжки и первоначального ослабления крепежа.
- Запрещается удерживать привод, головку или удлинитель.
- Операторы и обслуживающий персонал должны быть физически в состоянии управляться с грузом, весом и мощностью инструмента.
- По возможности используйте подвеску для поглощения реактивного момента. Если это невозможно, то для инструментов с прямым корпусом и с pistol-рукояткой рекомендуется использовать боковые рукоятки, а для угловых гайковертов — реактивные штанги.

Рекомендуется использовать средства для поглощения реактивного момента свыше 4 Нм (3 фунт-сила-футов) для инструментов с прямым корпусом, свыше 10 Нм (7,5 фунт-сила-фута) для инструментов с pistol-рукояткой и свыше 60 Нм (44 фунт-сила-футов) для угловых гайковертов.

- **Перетянутые или недотянутые крепежные элементы могут стать причиной серьезной травмы.** Блоки, требующие конкретного момента затяжки, должны проверяться с помощью датчика момента. Так называемые «щелкающие» динамометрические ключи не проверяют узлы на потенциально опасные превышения крутящего момента. Перетянутые или недотянутые крепежные элементы могут сломаться или ослабнуть и отделиться. Незакрепленные блоки могут разлетаться.
- **Следует использовать только силовые или ударные головки в хорошем состоянии.** Не используйте головки для ручного инструмента.
- **При использовании механизированного инструмента у оператора могут возникать неприятные ощущения в кистях, предплечьях, плечах, шее или других частях тела.** Принимайте удобные положения тела и ног, избегая неуклюжих или неустойчивых поз в течение рабочего дня.
- **Повторяющиеся рабочие движения, неудобные положения и воздействие вибрации могут быть опасны для рук.** При онемении, покалывании, боли или побледнении кожи прекратите работу с инструментом и проконсультируйтесь с врачом.
- **Проявляйте осторожность при работе в скрытых пространствах.** Остерегайтесь раздавливания рук между инструментом и обрабатываемой деталью.
- **Высокие уровни шума могут вызвать постоянную потерю слуха.** Используйте средства защиты органов слуха, рекомендованные вашим работодателем или правилами охраны труда и техники безопасности.
- **Убедитесь, что обрабатываемая деталь закреплена надежно.**
- **Соблюдайте осторожность при работе в незнакомом месте.** Остерегайтесь потенциальных опасностей, создаваемых вашими рабочими действиями. Этот инструмент не изолирован от соприкосновения с источниками электропитания.

Инструменты, используемые с опорной планкой: При работе с инструментом никогда не кладите руки рядом с опорной планкой. Остерегайтесь вращательного движения шпинделя перед запуском инструмента, поскольку направление действия силы реакции может оказаться неожиданным, из-за чего существует риск получения травм с разрывом тканей.

Инструменты, содержащие расцепную муфту: Запрещается использовать данное изделие, не убедившись в срабатывании расцепной муфты. Сразу после регулировки расцепной муфты проверьте правильность ее срабатывания.

⚠ ПРЕДУПРЕЖДЕНИЕ Опасность получения травмы

Убедитесь, что используется правильный файл параметров. Использование неправильного файла параметров может привести к возникновению слишком высокого крутящего момента и стать причиной травмы.

- ▶ Сравните максимальный крутящий момент, который отображается на контроллере, с максимальным крутящим моментом, указанным в технических характеристиках инструмента, – они должны быть одинаковыми.

Общие указания

Инструмент разрешается использовать только вместе с соответствующей реактивной штангой, приспособленной для конкретной системы винтовых соединений.

⚠ ПРЕДУПРЕЖДЕНИЕ Опасность раздавливания



Перед началом работы проверьте направление вращения инструмента! Запуск с неправильным направлением вращения может привести к травмам или материальному ущербу. Движущиеся части могут стать причиной раздавливания или порезов.

- ▶ Перед запуском инструмента убедитесь в правильном направлении его вращения.
- ▶ Руки и пальцы должны находиться на безопасном расстоянии от движущихся частей.

Работа с инструментом

1. Установите реакционную штангу в соответствии с инструкциями по технике безопасности, описанными в данном документе.
2. Установите инструмент в подходящее гнезд в соответствии с инструкциями по технике безопасности, описанными в данном документе.
3. Настройте правильный режим с помощью кнопок настроек (4) и экрана дисплея (3).
4. Выберите правильное направление с помощью кнопки реверса (6).
5. Установите инструмент и реактивный рычаг (7) в соответствии с инструкциями по технике безопасности, описанным в данном документе.
6. Нажмите и удерживайте второй курок (1).
7. Нажмите и удерживайте главный курок (2)
8. Держите курки (1 и 2) нажатыми до завершения операции.
9. Проверьте статус работы на информационных светодиодах (5). Зеленый (Ok – «удовл.»), красный (NOk – «неудовл.»).

Батарея

Аккумуляторные блоки, которые не использовались в течение определенного времени, необходимо зарядить перед использованием.

Температура выше 50°C (122°F) ухудшает рабочие характеристики аккумуляторного блока. Избегайте длительного воздействия тепла или солнечного света (опасность перегрева).

Контакты зарядных устройств и аккумуляторных блоков следует содержать в чистоте.

Для оптимального срока службы аккумуляторные блоки необходимо полностью зарядить после использования.

Для достижения максимального срока службы аккумулятора, извлеките аккумуляторный блок из зарядного устройства, как только он полностью зарядится.

Аккумуляторный блок оснащен защитой от перегрузки, которая продлевает его срок службы. При чрезмерном напряжении электронный блок аккумулятора автоматически отключает инструмент. Для повторного запуска выключите и включите инструмент. Если инструмент не запускается, то возможно аккумулятор полностью разряжен. В данном случае необходимо зарядить аккумулятор при помощи зарядного устройства.

Инструкции по техобслуживанию

- Соблюдайте местные предписания по защите окружающей среды для безопасного обращения и утилизации всех компонентов.
- Работы по техническому обслуживанию и ремонту должен выполнять квалифицированный персонал с использованием исключительно оригинальных запасных частей. По вопросам помощи с техническим обслуживанием или приобретения запасных частей обращайтесь к производителю или ближайшему авторизованному дилеру.
- Во избежание непреднамеренного включения, всегда следите за тем, чтобы станок был отсоединен от источника питания.
- При ежедневном использовании инструмента его следует разбирать и осматривать каждые 3 месяца. Поврежденные или изношенные части следует заменять.
- Строго запрещается допускать соприкосновения тормозных жидкостей, бензина, продуктов на основе керосина, пропиточных масел и т. д. с пластмассовыми деталями. Химические средства могут повредить, ослабить или разрушить пластмассу, в результате чего персонал может получить тяжелые травмы.
- Необходимо избегать использования растворителей при очистке пластмассовых деталей. Большинство пластмасс чувствительны к воздействию различных типов растворителей, доступных в продаже, и могут быть повреждены при их использовании. Используйте чистые тканевые салфетки для удаления грязи, пыли, масла, смазки и т. д.

Утилизация

- Утилизацию оборудования следует осуществлять в соответствии с законодательством соответствующей страны.
- Все поврежденные, изношенные или неисправные устройства **ДОЛЖНЫ БЫТЬ ИЗЪЯТЫ ИЗ ЭКСПЛУАТАЦИИ**.

Обозначения и наклейки

На данном изделии имеются знаки и наклейки, содержащие важную информацию по технике безопасности и техобслуживанию изделия. Знаки и наклейки должны всегда оставаться разборчивыми. Новые знаки и наклейки можно заказать по перечню запчастей.



s011050

Обозначения



Извлекайте аккумуляторный блок перед началом проведения любых работ над устройством.



Внимательно изучите инструкции перед запуском данного устройства.



Запрещается утилизировать электроинструменты вместе с бытовыми отходами. Электроинструменты и электронное оборудование, выработавшие свой ресурс, необходимо собрать по отдельности и вернуть на экологически безопасное предприятие по переработке отходов. Узнайте у местных властей или дистрибьютора рекомендации по переработке отходов и информацию о пунктах приемки.



Обязательно надевайте очки при использовании данного устройства.

n_0

Скорость без нагрузки.

V

Вольт

мин⁻¹

в минуту



Постоянный ток



ПРЕДОСТЕРЕЖЕНИЕ!
ПРЕДУПРЕЖДЕНИЕ! ОПАСНО!

Полезные сведения

Веб-сайт

На веб-сайте Chicago Pneumatic представлена информация о наших изделиях, принадлежностях, запасных частях, а также печатные материалы.

Посетите: www.cp.com.

Страна происхождения

HUNGARY

Паспорт безопасности продукции

В паспортах безопасности продукции описаны химические продукты, поставляемые компанией Chicago Pneumatic.

Посетите веб-сайт компании Chicago Pneumatic, чтобы ознакомиться с более подробной информацией qr.cp.com/sds.

Авторское право

© Авторское право, 2022, CHICAGO PNEUMATIC Tool Co.LLC, 1815 Clubhouse Road, Rock Hill, SC 29730 - USA

Все права защищены. Любое несанкционированное использование или копирование содержимого настоящего документа или его части запрещено. В частности, это относится к товарным знакам, названиям моделей, номерам деталей и чертежам. Используйте только разрешенные запасные части. Любые повреждения или неисправности, возникшие в результате использования неразрешенных запасных частей, не попадают под действие гарантии и ответственности производителя за продукцию.

Dane techniczne

Opis produktu

Proszę odnieść się do ilustracji 2: Opis produktu

- 1 Drugi spust
- 2 Spust główny
- 3 Wyświetlacz
- 4 Przyciski ustawień
- 5 Diody sygnalizacyjne LED
- 6 Przycisk zmiany kierunku
- 7 Drążek reakcyjny typu s (dostarczany z narzędziem)

Deklaracje

DEKLARACJA ZGODNOŚCI UE

Firma CHICAGO PNEUMATIC Tool Co.LLC, 1815 Clubhouse Road, Rock Hill, SC 29730 - USA oświadcza na swoją wyłączną odpowiedzialność, że produkt (którego nazwę, typ i numer seryjny podano na stronie tytułowej) jest zgodny z postanowieniami następującej dyrektywy (dyrektyw):

2006/42/EC; 2011/65/UE; 2014/53/UE

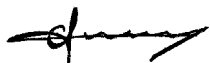
Zastosowane normy zharmonizowane: EN 62841-2-2:2014 + AC1:2015; EN 55014-1:2017+11:2020; EN 55014-2:2015; EN 61000-6-2:2019; EN 61000-6-3:2007 + A1:2011; EN 300328V222; EN 301489-17V324; EN 301489-1V223; EN 62311:2008; EN 62479:2010

Władze mogą zażądać istotnych informacji technicznych od: Pascal Roussy, R&D Manager, Ets Georges Renault, 38 rue Bobby Sands, BP10273 44818 Saint Herblain, France

Saint-Herblain, 2022/01/26

Pascal ROUSSY

Podpis osoby zatwierdzającej



Oświadczenie o poziomie hałasu i drgań

- Poziom ciśnienia akustycznego < 72 dB(A), niepewność pomiaru 3 dB(A), zgodnie z normą EN 62841-2-2:2015.
- Poziom ciśnienia akustycznego < 83 dB(A), niepewność pomiaru 3 dB(A), zgodnie z normą EN 62841-2-2:2015.
- Całkowita wartość drgań < 2.5 m/s², niepewność pomiaru 3 m/s², zgodnie z normą EN 62841-2-2:2015.

Przedstawione wartości uzyskano w oparciu o badania przeprowadzone w warunkach laboratoryjnych, zgodnie z wymienionymi normami; mogą one być porównywane z deklarowanymi wartościami innych narzędzi przebadanymi zgodnie z tymi samymi normami. Przedstawione wartości nie powinny służyć do oceny zagrożenia, a wartości zmierzone w danym miejscu pracy mogą być wyższe. Wartość rzeczywistego działania szkodliwych czynników oraz ryzyko odniesienia obrażeń jest kwestią indywidualną i zależną od sposobu pracy danej osoby, narzędzi, stanowiska pracy oraz stanu zdrowia.

Firma **CHICAGO PNEUMATIC Tool Co.LLC**, nie ponosi odpowiedzialności za skutki stosowania deklarowanych wartości, zamiast wartości odzwierciedlających rzeczywiste narażenie na hałas i drgania, w przypadku indywidualnej oceny zagrożeń występujących w konkretnej sytuacji w miejscu pracy, nad którą w/w firma nie sprawuje kontroli.

Niniejsze narzędzie może powodować wystąpienie syndromu drgań rąk-ramion (HAVS), jeśli nie jest używane we właściwy sposób. Informator Rady Unii Europejskiej dotyczący zarządzania wibracjami przenoszonymi na ręce operatora można znaleźć po przejściu na stronę internetową <http://www.pneurop.eu/index.php> i wybraniu opcji „Tools” [Narzędzia], a następnie „Legislation” [Ustawodawstwo].

Zalecamy przeprowadzanie badań okresowych, mających na celu wykrycie objawów związanych z działaniem drgań, aby umożliwić zmianę procedur i zapobiec dalszemu pogorszeniu stanu zdrowia.

- ⓘ Jeśli niniejszy sprzęt jest przeznaczony do mocowania w uchwytach:
Wielkość emisji hałasu jest podawana jako wskazówka dla konstruktora narzędzia. Odnoszące się do całego narzędzia dane dotyczące emisji drgań i hałasu powinny być zamieszczone w instrukcji obsługi narzędzia.

Specyfikacja komunikacji bezprzewodowej

BLUETOOTH LOW ENERGY 4.2®

Częstotliwość: 2400 MHz - 2483,5MHz

EIRP: <10 dBm

Znak słowny i logo Bluetooth® są zarejestrowanymi znakami towarowymi należącymi do Bluetooth SIG, Inc.

Wymagania regionalne

⚠ OSTRZEŻENIE

Ten produkt może narażać użytkownika na kontakt z chemikaliami, między innymi ołowiem, który wg władz stanu Kalifornia powoduje raka, wady wrodzone i upośledzenie płodności. Więcej informacji podano w witrynie

<https://www.p65warnings.ca.gov/>

Bezpieczeństwo

Nie wyrzucać — przekazać użytkownikowi

⚠ OSTRZEŻENIE Należy przeczytać wszystkie ostrzeżenia dotyczące bezpieczeństwa oraz zapoznać się ze wszystkimi instrukcjami, ilustracjami i specyfikacjami dostarczonymi z produktem.

Nieprzestrzeganie wszystkich zmieszczonych poniżej instrukcji może doprowadzić do szkody materialnej, porażenia prądem elektrycznym, pożaru i/lub poważnych obrażeń.

Wszystkie ostrzeżenia i instrukcje należy zachować do wykorzystania w przyszłości.

⚠ OSTRZEŻENIE Należy zawsze przestrzegać wszystkich lokalnych przepisów dotyczących instalacji, obsługi i konserwacji.

Oświadczenie o przeznaczeniu

- Wyłącznie do użytku profesjonalnego.
- Nie wolno w żaden sposób modyfikować produktu ani jego akcesoriów.
- Nie należy użytkować uszkodzonego produktu.
- Jeśli umieszczone na produkcie etykiety zawierające dane produktu lub ostrzegające przed niebezpieczeństwem przestaną być czytelne lub odpadną, należy je niezwłocznie wymienić.
- Produkt musi być instalowany, obsługiwany i serwisowany wyłącznie przez wykwalifikowaną osobę w warunkach przemysłowych.

Przeznaczenie

Ten produkt jest przeznaczony do używania wyłącznie przez osoby dorosłe, które zapoznały się ze zrozumieniem z instrukcją obsługi i ostrzeżeniami przedstawionymi w tej instrukcji, a także takie, które można uznać za osoby odpowiedzialne.

- Niniejszy produkt jest przeznaczony do montażu i demontażu gwintowanych elementów mocujących w drewnie, metalu i tworzywach sztucznych.
- Tylko do użytku w pomieszczeniach
- Nie wolno stosować produktu do żadnych innych czynności z wyjątkiem opisanych powyżej.
- Używanie do innych celów jest niedozwolone

Zalecane akumulatory

8940176068: CP36XP25

Zalecana ładowarka

8940176069: CP18-36CH

Zalecany drążek reakcyjny

Użyć drążka reakcyjnego (7) dostarczonego z narzędziem. W przypadku innych modeli należy zapoznać się z dokumentem dotyczącym drążków reakcyjnych o numerze referencyjnym 6159923710.

Ogólne ostrzeżenia dotyczące bezpieczeństwa użytkowania narzędzi mechanicznych

⚠ OSTRZEŻENIE Należy przeczytać wszystkie ostrzeżenia dotyczące bezpieczeństwa oraz zapoznać się ze wszystkimi instrukcjami, ilustracjami i specyfikacjami dostarczonymi z produktem.

Nieprzestrzeżenie wszystkich zmieszczonych poniżej instrukcji może doprowadzić do szkody materialnej, porażenia prądem elektrycznym, pożaru i/lub poważnych obrażeń.

Wszystkie ostrzeżenia i instrukcje należy zachować do wykorzystania w przyszłości.

Użyte w ostrzeżeniach określenie „elektronarzędzie” odnosi się do narzędzia zasilanego z sieci (przewodowego) lub do narzędzia akumulatorowego (beprzewodowego).

Bezpieczeństwo w miejscu pracy

- **Miejsce pracy powinno być czyste i dobrze oświetlone.** Bałagan i brak oświetlenia miejsca pracy sprzyjają wypadkom.
- **Narzędzi mechanicznych nie wolno użytkować w atmosferach wybuchowych, na przykład w obecności łatwopalnych cieczy, gazów lub pyłu.** Narzędzia mechaniczne wytwarzają iskry, które mogą spowodować zapłon pyłu lub oparów.
- **Podczas wykonywania pracy narzędziem mechanicznym dzieci i osoby postronne powinny znajdować się w stosownej odległości.** Odwrócenie uwagi może spowodować utratę kontroli nad narzędziem.

Bezpieczeństwo elektryczne

- **Wtyczki narzędzi mechanicznych muszą pasować do gniazdek elektrycznych. W żadnym wypadku nie wolno w jakikolwiek sposób modyfikować wtyczek. Nie wolno stosować żadnych adapterów wtyczek do zasilania uziemionych narzędzi mechanicznych.** Niezmodyfikowane wtyczki i dopasowane gniazdzka elektryczne zmniejszają ryzyko porażenia prądem elektrycznym.
- **Unikać kontaktu ciała z powierzchniami uziemionymi, takimi jak rury, grzejniki, piece elektryczne i chłodziarki.** W przypadku uziemienia ciała występuje zwiększone ryzyko porażenia prądem elektrycznym.
- **Narzędzi mechanicznych nie wolno narażać na działanie deszczu lub wilgoci.** Woda przedostająca się do narzędzia mechanicznego zwiększa zagrożenie porażeniem prądem elektrycznym.

- **Nie wykorzystywać przewodu zasilania w niewłaściwy sposób. W żadnym wypadku nie wolno używać przewodu zasilającego do przenoszenia lub ciągnięcia narzędzia mechanicznego ani do wyciągania wtyczki z gniazdzka. Przewód zasilania powinien znajdować się z dala od wysokiej temperatury, oleju, ostrych krawędzi lub ruchomych części.** Uszkodzone lub splątane przewody zasilające zwiększają ryzyko porażenia prądem elektrycznym.
- **W przypadku używania narzędzia mechanicznego na wolnym powietrzu należy stosować przedłużacz przeznaczony do użytku zewnętrznego.** Stosowanie przedłużacza przeznaczonego do użytku zewnętrznego zmniejsza ryzyko porażenia prądem elektrycznym.
- **Jeśli nie można uniknąć używania narzędzia mechanicznego w wilgotnym miejscu, należy korzystać z zasilania zabezpieczonego wyłącznikiem różnicowoprądowym.** Stosowanie wyłącznika różnicowoprądowego zmniejsza ryzyko porażenia prądem elektrycznym.

Bezpieczeństwo osobiste

- **Podczas używania narzędzia mechanicznego należy być skupionym, patrzeć na to co się robi i zachowywać zdrowy rozsądek. Nie wolno używać narzędzia mechanicznego będąc zmęczonym lub znajdując się pod wpływem narkotyków, alkoholu bądź leków.** Chwila nieuwagi podczas pracy z narzędziem mechanicznym może doprowadzić do poważnych obrażeń.
- **Stosować środki ochrony indywidualnej. Zawsze nosić okulary ochronne.** Używany w odpowiednich warunkach sprzęt ochronny, taki jak maska przeciwpyłowa, antypoślizgowe obuwie ochronne, kask ochronny i ochronniki słuchu, przyczynia się do zmniejszenia ryzyka obrażeń ciała.
- **Zapobiegać niezamierzonemu uruchomieniu narzędzia mechanicznego. Przed podłączeniem do sieci zasilającej i/lub pakietu akumulatorowego bądź przed podniesieniem lub przeniesieniem narzędzia należy się upewnić, że wyłącznik znajduje się w pozycji wyłączonej.** Przenoszenie narzędzi mechanicznych z palcem na wyłączniku lub podłączanie ich do zasilania przy włączonym wyłączniku sprzyja wypadkom.
- **Przed uruchomieniem narzędzia mechanicznego należy wyjąć klucz regulacyjny.** Klucz pozostawiony w obrotowym elemencie narzędzia mechanicznego może spowodować obrażenia.
- **Nie wychylać się za daleko poza miejsce pracy. W każdych okolicznościach należy utrzymywać odpowiednie oparcie dla nóg i dbać o zachowanie równowagi.** Umożliwia to zachowanie lepszej kontroli nad narzędziem mechanicznym w nieoczekiwanych sytuacjach.
- **Nosić odpowiednią odzież. Nie wolno nosić luźnego ubrania ani biżuterii. Nie należy zbliżać włosów ani odzieży do ruchomych elementów.** Luźne ubranie, biżuteria lub długie włosy mogą wkręcić się w ruchome części.

- **Jeśli do narzędzi mogą być podłączane urządzenia do odsysania i zbierania pyłu, należy zadbać o prawidłowe podłączenie i używanie tych urządzeń.** Stosowanie urządzenia do zbierania pyłu może ograniczyć zagrożenia związane z pyłem.
- **Nie wolno dopuścić, aby przyzwyczajenia nabyte na skutek częstego używania narzędzi prowadziły do samozadowolenia i ignorowania zasad bezpiecznego użytkowania narzędzi.** Nieostrożne postępowanie może spowodować poważne obrażenia w ułamku sekundy.
- **Podczas wykonywania prac, w trakcie których element mocujący może zetknąć się z ukrytymi przewodami elektrycznymi, narzędzie mechaniczne należy trzymać za izolowany uchwyt.** Elementy złączone stykające się z przewodem będącym pod napięciem ("gorącym") mogą spowodować pojawienie się napięcia na odsłoniętych metalowych częściach narzędzia, w wyniku czego może nastąpić porażenie operatorem prądem elektrycznym.

Użytkowanie i konserwacja narzędzi mechanicznych

- **Nie wolno przeciążać narzędzi mechanicznych.** Stosować właściwe narzędzie mechaniczne do wykonywanego zadania. Właściwe narzędzie mechaniczne wykona pracę lepiej i bezpieczniej, z szybkością, na którą zostało zaprojektowane.
- **Nie wolno używać narzędzia mechanicznego, jeśli wyłącznik nie powoduje włączania i wyłączania narzędzia.** Narzędzie mechaniczne, które nie może być sterowane wyłącznikiem jest niebezpieczne i musi zostać naprawione.
- **Przed wykonaniem jakichkolwiek regulacji, wymianą akcesoriów lub przed odłożeniem narzędzia mechanicznego do miejsca przechowywania należy odłączyć wtyczkę od sieci zasilającej i/lub pakietu akumulatorowego, jeśli istnieje taka możliwość.** Stosowanie takich zapobiegawczych środków bezpieczeństwa zmniejsza ryzyko przypadkowego uruchomienia narzędzia mechanicznego.
- **Nieużywane narzędzia mechaniczne należy przechowywać w miejscu niedostępnym dla dzieci, a ponadto nie wolno zezwalać na posługiwanie się narzędziami mechanicznymi przez osoby nieobeznane z ich obsługą.** Narzędzia mechaniczne są niebezpieczne w rękach nieprzeszkolonych użytkowników.
- **Należy zachować narzędzia mechaniczne i akcesoria.** Sprawdzać, czy nie występuje niewyosiowanie bądź zacinać się części ruchomych, uszkodzenie części lub jakiegokolwiek inne czynniki, które mogą mieć wpływ na pracę narzędzia mechanicznego. Jeśli narzędzie mechaniczne jest uszkodzone, przez użyciem należy je naprawić. Powodem wielu wypadków jest niewłaściwa konserwacja narzędzi mechanicznych.
- **Narzędzia tnące należy utrzymywać w ostrym i czystym stanie.** Właściwie konserwowane narzędzia tnące, o ostrych krawędziach tnących, są mniej podatne na zakleszczanie i dają się łatwiej prowadzić.
- **Narzędziem mechanicznym, akcesoriami, nożami oprawkowymi itp. należy posługiwać się zgodnie z niniejszymi instrukcjami, uwzględniając panujące warunki pracy oraz rodzaj wykonywanego zadania.**

Używanie narzędzia mechanicznego do prac niezgodnych z jego przeznaczeniem może doprowadzić do wystąpienia niebezpiecznych sytuacji.

- **Uchwyty i powierzchnie chwytne należy utrzymywać w stanie suchym, czystym i wolnym od olejów i smarów.** Śliskie uchwyty i powierzchnie chwytne uniemożliwiają bezpieczną obsługę i sprawowanie kontroli nad narzędziem w nieoczekiwanych sytuacjach.

Użytkowanie i konserwacja narzędzi akumulatorowych

- **Ładowanie akumulatora należy wykonywać wyłącznie przy użyciu ładowarki określonej przez producenta.** Ładowarka nadająca się do ładowania pakietu akumulatorowego określonego typu może stwarzać niebezpieczeństwo pożaru w przypadku jej używania do ładowania innego pakietu akumulatorowego.
- **Elektronarzędzia należy zasilać wyłącznie przy użyciu ściśle określonych akumulatorów.** Używanie jakiegokolwiek innego akumulatora może stać się przyczyną zranienia i pożaru.
- **Nieużywany pakiet akumulatorowy należy przechowywać z dala od metalowych przedmiotów, takich jak spinacze, monety, klucze, gwoździe, śruby i inne małe metalowe przedmioty, które mogą spowodować zwarcie biegunów pakietu akumulatorowego.** Zwarcie biegunów akumulatora może spowodować oparzenia lub pożar.
- **W nieprawidłowych warunkach użytkowania z akumulatora może wydostać się elektrolit; unikać kontaktu.** W razie przypadkowego kontaktu elektrolitu ze skórą należy przemyć skażoną powierzchnię ciała wodą. W przypadku kontaktu elektrolitu z oczami należy ponadto zwrócić się o pomoc lekarską. Elektrolit wydostający się z akumulatora może spowodować podrażnienia lub oparzenia.
- **Nie używać uszkodzonego bądź zmodyfikowanego pakietu akumulatorowego lub narzędzia.** Uszkodzone lub zmodyfikowane akumulatory mogą zachować się w sposób nieprzewidywalny i spowodować pożar, wybuch lub obrażenia ciała.
- **Nie wolno narażać akumulatora ani narzędzia na działanie ognia lub nadmiernej temperatury.** Narażenie na działanie ognia lub temperatury powyżej 130°C może spowodować wybuch.
- **Należy przestrzegać wszystkich instrukcji dotyczących ładowania i nie ładować pakietu akumulatorowego ani narzędzia w temperaturze wykraczającej poza zakres określony w instrukcjach.** Ładowanie przeprowadzane nieprawidłowo lub w temperaturach wykraczających poza określony zakres może spowodować uszkodzenie akumulatora i zwiększyć ryzyko pożaru.

Serwis

- **Naprawę posiadanego narzędzia mechanicznego należy powierzać wykwalifikowanemu technikowi serwisowemu, używającemu wyłącznie oryginalnych części zamiennych.** Zapewni to zachowanie bezpieczeństwa użytkownika narzędzia mechanicznego.

- W żadnym wypadku nie należy serwisować uszkodzonych pakietów akumulatorowych. Serwisowanie pakietów akumulatorowych powinno być przeprowadzane wyłącznie przez producenta lub autoryzowane punkty serwisowe.

Instrukcje dotyczące produktu

Ostrzeżenie!

W celu zmniejszenia ryzyka pożaru, odniesienia obrażeń, czy zniszczenia produktu z powodu krótkiego obwodu elektrycznego, nigdy nie wolno zanurzać narzędzia, pakietu akumulatorowego, czy ładowarki w cieczy lub też dopuścić, by ciecz przedostała się wewnątrz nich. Płyny korozyjne lub przewodzące, jak woda morska, niektóre chemikalia przemysłowe, czy wybielacze lub zawierające je produkty, itp., mogą spowodować krótki obwód elektryczny.

Specjalne środki ostrożności

- Narzędzie może być używane wyłącznie w połączeniu z odpowiednim drążkiem reakcyjnym, dostosowanym do konkretnego połączenia śrubowego.
- Zalecamy korzystanie z podwójnego spustu, aby ograniczyć do minimum ryzyko pochwycenia palców lub dłoni między drążkiem reakcyjnym a elementem obrabianym.

Ogólne zasady bezpieczeństwa podczas instalowania

Instalowanie należy powierzać wyłącznie wykwalifikowanemu personelowi.

Narzędzie należy bezpiecznie zawiesić, używając na przykład przeciwwagi. W przypadku korzystania z jarma podtrzymującego sprawdzić, czy jest ono w dobrym stanie i czy jest poprawnie zamocowane.

Urządzenie należy zawsze podłączać do gniazda elektrycznego z uziemieniem. Przed podłączeniem/odłączeniem kabla narzędzia należy zawsze sprawdzić, czy wtyczka zasilania jest odłączona oraz czy sterownik jest wyłączony.

Specjalne środki ostrożności

OSTRZEŻENIE Niebezpieczeństwo zgniecenia

Podwójny spust to wymusza na operatorze używanie obu rąk podczas pracy z narzędziem. Bez niego operator może przypadkowo uruchomić narzędzie podczas regulacji drążka reakcyjnego, doznając poważnych obrażeń dłoni.

- ▶ Upewnić się, że narzędzia nie można uruchomić po zwolnieniu podwójnego spustu.
- ▶ Zawsze sprawdzać narzędzie poprzez zwolnienie w pierwszej kolejności podwójnego spustu, a następnie naciśnięcie spustu narzędzia. Jeśli narzędzie uruchomi się, przerwać pracę.

Ogólne zasady bezpieczeństwa obsługi

- Z uwagi na ryzyko pochwycenia nie należy zakładać rękawic.
- Należy być przygotowanym na siły reakcyjne powstające przy używaniu narzędzia. Aby zmniejszyć wpływ nagłego zadziałania momentu obrotowego podczas końcowej fazy dokręcania i początkowej fazy odkręcania, należy podtrzymywać rękojeść narzędzia w kierunku przeciwnym do obrotów wrzeciona.
- W żadnym wypadku nie wolno chwytać mechanizmu napędowego, nasadki lub przedłużki mechanizmu napędowego.
- Operatorzy i personel konserwacyjny muszą być fizycznie zdolni do obsługi narzędzia o określonej wielkości, masie i mocy.
- Jeśli to możliwe, należy posługiwać się podwieszanym ramieniem w celu zamortyzowania reakcyjnego momentu obrotowego. Jeśli jest to niemożliwe, zaleca się używanie uchwytów bocznych w przypadku narzędzi z uchwytem prostym i uchwytem pistoletowym; w przypadku kątowych kluczy do nakrętek zaleca się używanie drążków reakcyjnych. Zaleca się stosowanie odpowiednich sposobów amortyzowania reakcyjnego momentu obrotowego o wartości powyżej 4 Nm (3 lbf.ft) w przypadku narzędzi z uchwytem prostym, o wartości powyżej 10 Nm (7,5 lbf.ft) w przypadku narzędzi z uchwytem pistoletowym i o wartości powyżej 60 Nm (44 lbf.ft) w przypadku kątowych kluczy do nakrętek.
- Dokręcenie elementów złącznych zbyt wysokim lub zbyt niskim momentem obrotowym może prowadzić do poważnego zranienia. Zespoły wymagające określonego momentu dokręcania należy sprawdzić przy użyciu miernika momentu. Klucze dynamometryczne z mechanizmem zapadkowym nie zapewniają dostatecznej kontroli nad potencjalnie niebezpiecznym stanem przeciążenia w wyniku nadmiernego momentu obrotowego. Elementy złączne dokręcone zbyt wysokim lub niskim momentem obrotowym mogą pęknąć, poluzować lub odłączyć się. Uwolnione elementy zespołów mogą zostać wyrzucone z dużą siłą.
- Używać wyłącznie będących w dobrym stanie nasadek przeznaczonych do elektronarzędzi lub do narzędzi udarowych. Nie wolno używać nasadek przeznaczonych do narzędzi ręcznych.
- Podczas używania elektronarzędzia operator może odczuwać dyskomfort w dłoniach, ramionach, barkach, szyi lub innych częściach ciała. Należy przyjmować różne prawidłowe pozycje w ciągu dnia, zadbać o bezpieczne oparcie dla stóp i unikać pozycji nienaturalnych bądź niezapewniających równowagi.
- Powtarzające się ruchy rąk, nienaturalne pozycje ciała oraz narażenie na drgania mogą być szkodliwe dla dłoni i ramion. W przypadku wystąpienia drętwienia, mrowienia, bólu lub bladeści skóry należy zaprzestać używania narzędzia i zasięgnąć porady lekarza.

- **Zachować ostrożność podczas użytkowania w ograniczonych przestrzeniach.** Należy uważać na ręce, aby nie uległy zmiążdżeniu między narzędziem a obrabianym przedmiotem.
- **Wysoki poziom hałasu może spowodować trwałą utratę słuchu.** Należy stosować ochronniki słuchu zalecane przez pracodawcę lub przepisy bezpieczeństwa i higieny pracy.
- **Upewnić się, że obrabiany przedmiot jest pewnie zamocowany.**
- **Należy zachować ostrożność w nieznanym otoczeniu.** Należy mieć świadomość istnienia potencjalnych zagrożeń powodowanych przez wykonywane prace. Niniejsze narzędzie nie ma izolacji zabezpieczającej przed kontaktem ze źródłami zasilania energią elektryczną.

Narzędzia używane z drążkiem reakcyjnym: Nie wolno umieszczać ręki w pobliżu drążka reakcyjnego, gdy narzędzie jest w użyciu. Przed uruchomieniem narzędzia należy sprawdzić kierunek obrotów wrzeciona; siła reakcji może zadziałać w nieoczekiwanym kierunku i spowodować zmiążdżenie.

Narzędzia posiadające sprzęgło: W żadnym wypadku nie wolno używać produktu bez upewnienia się, że sprzęgło jest wysprężlane. Po wyregulowaniu sprzęgła należy natychmiast sprawdzić prawidłowość jego działania.

⚠ OSTRZEŻENIE Ryzyko obrażeń ciała

Sprawdzać, czy używany jest właściwy plik parametrów. Niewłaściwy plik parametrów może prowadzić do wytworzenia zbyt wysokiego momentu obrotowego, a w konsekwencji do zranienia.

- ▶ Należy porównać maksymalny moment obrotowy wskazywany przez sterownik z maksymalnym momentem obrotowym podanym w danych technicznych narzędzia – powinny być takie same.

Instrukcje ogólne

Narzędzie może być używane wyłącznie w połączeniu z odpowiednim drążkiem reakcyjnym, dostosowanym do konkretnego połączenia śrubowego.

⚠ OSTRZEŻENIE Niebezpieczeństwo zmiążdżenia



6158716540

6158716530

Przed uruchomieniem narzędzia należy sprawdzić kierunek jego obrotów! Uruchomienie narzędzia w nieoczekiwanym kierunku może spowodować obrażenia ciała lub szkody materialne. Ruchome części mogą spowodować zgniecenia i zranienia.

- ▶ Przed uruchomieniem narzędzia należy się upewnić, że jego kierunek obrotów jest prawidłowy.
- ▶ Ręce oraz palce należy trzymać z dala od ruchomych części.

Obsługa narzędzia

1. Załóż drążek reakcyjny zgodnie z instrukcjami bezpieczeństwa opisanymi w tym dokumencie.
2. Zamontuj narzędzie z odpowiednim nasadką zgodnie z instrukcjami bezpieczeństwa opisanymi w tym dokumencie.
3. Ustaw właściwy tryb pracy używając przycisków ustawień (4) i ekranu wyświetlacza (3).
4. Wybierz właściwy kierunek za pomocą przycisku zmiany kierunku (6).
5. Ustaw narzędzie i ramię reakcyjne (7) zgodnie z instrukcjami bezpieczeństwa opisanymi w tym dokumencie.
6. Naciśnij i kontynuuj naciskanie na drugi spust (1).
7. Naciśnij i kontynuuj naciskanie na spust główny (2).
8. Kontynuuj naciskanie na spusty (1 i 2) do zakończenia pracy.
9. Sprawdź stan pracy na diodach sygnalizacyjnych LED (5). Zielona (Ok), czerwona (NOK).

Akumulator

Akumulatory, które nie były używane przez pewien czas, należy ponownie naładować przed użyciem.

W temperaturze wyższej niż 50°C (122°F) pojemność akumulatora jest mniejsza. Należy unikać długotrwałego narażenia narzędzia na działanie wysokiej temperatury lub światła słonecznego (ryzyko przegrzania).

Styki ładowarek i pakietów akumulatorowych należy utrzymywać w czystości.

Po wyczerpaniu energii akumulatorów należy je w pełni naładować, aby zapewnić ich długi okres eksploatacji. Aby zapewnić najdłuższy okres eksploatacji akumulatora, należy go wyjąć z ładowarki po pełnym naładowaniu.

Pakiet akumulatorów posiada zabezpieczenie przed przeładowaniem, które ochrania go przed przeładowaniem i pomaga zapewnić długi czas jego użytkowania. W warunkach ogromnego napięcia urządzenie elektroniczne na baterie może całkowicie automatycznie wyłączyć produkt. Aby uruchomić je ponownie, należy wyłączyć, a potem znów włączyć produkt. W przypadku, gdy produkt nie uruchomi się podobnie, możliwe, że pakiet akumulatorowy został całkowicie rozładowany. W takim przypadku należy go naładować ponownie w ładowarce baterii.

Wskazówki dotyczące konserwacji

- Postępować zgodnie z krajowymi przepisami dotyczącymi bezpiecznej obsługi i utylizacji wszystkich podzespołów.
- Czynności konserwacyjne i naprawcze muszą być przeprowadzane przez wykwalifikowany personel z użyciem wyłącznie oryginalnych części zamiennych. W celu uzyskania porady na temat obsługi technicznej lub części zamiennych należy skontaktować się z producentem lub najbliższym autoryzowanym dealerem.
- Zawsze sprawdzać, czy maszyna jest odłączona od źródła energii, aby uniknąć przypadkowego uruchomienia.

- Jeśli narzędzie jest używane każdego dnia, rozmontowywać je i sprawdzać co 3 miesiące. Wymieniać uszkodzone lub zużyte części.
- Zapobiegać kontaktowi płynów hamulcowych, benzyny, produktów na bazie ropy naftowej, olejów itd. z częściami wykonanymi z tworzywa sztucznego. Środki chemiczne mogą spowodować uszkodzenie, osłabienie lub zniszczenie tworzywa sztucznego, co może prowadzić do poważnych obrażeń ciała.
- Unikać rozpuszczalników podczas czyszczenia części z tworzywa sztucznego. Większość tworzyw sztucznych jest podatnych na uszkodzenia przez różne rodzaje rozpuszczalników i może zostać uszkodzona przez ich użycie. Używać czystych szmatek do usuwania pyłu, kurzu, oleju, smaru itd.

Utylizacja

- Urządzenie należy usuwać zgodnie z prawem obowiązującym w danym kraju.
- Wszelkie uszkodzone, nadmiernie zużyte lub nieprawidłowo działające urządzenia **NALEŻY WYCOFAĆ Z EKSPLOATACJI**.

Oznakowania i naklejki

Na produkcie umieszczone są znaki i naklejki zawierające ważne informacje dotyczące bezpieczeństwa ludzi i konserwacji produktu. Znaki i naklejki powinny być zawsze czytelne. Nowe znaki i naklejki można zamówić, korzystając z listy części zamiennych.



s011050

Symbole



Wyjąć akumulator przed przystąpieniem do prac we wnętrzu urządzenia.



Przed uruchomieniem urządzenia zapoznać się dokładnie z instrukcją obsługi.



Nie wyrzucać narzędzi elektrycznych wraz z odpadami z gospodarstwa domowego. Narzędzia elektryczne i sprzęt elektroniczny, których okres eksploatacji się skończył, należy zebrać osobno i oddać do zakładu zajmującego się recyklingiem. Więcej informacji o recyklingu i punktach zbiórki można uzyskać od władz lokalnych lub sprzedawcy.



Podczas użytkowania urządzenia zawsze nosić okulary ochronne.

n₀

Brak prędkości ładunku.

V

Wolty

min⁻¹

na minutę



Prąd stały



UWAGA! OSTRZEŻENIE! NIEBEZPIECZEŃSTWO!

Przydatne informacje

Strona internetowa

Informacje o naszych produktach, akcesoriach, częściach zamiennych i publikacjach można odnaleźć na stronie Chicago Pneumatic.

Zapraszamy do odwiedzenia: www.cp.com.

Kraj pochodzenia

HUNGARY

Karta charakterystyki materiału

Karty charakterystyki materiałów opisują produkty chemiczne sprzedawane przez firmę Chicago Pneumatic.

Więcej informacji zamieszczono na stronie internetowej Chicago Pneumatic pod adresem qr.cp.com/sds.

Prawa autorskie

© Copyright 2022, CHICAGO PNEUMATIC Tool Co.LLC, 1815 Clubhouse Road, Rock Hill, SC 29730 - USA

Wszelkie prawa zastrzeżone. Wszelkie nieuprawnione użytkowanie lub kopiowanie zawartości niniejszego dokumentu bądź jego części jest zabronione. Dotyczy to w szczególności znaków towarowych, oznaczeń modeli, numerów części oraz rysunków. Używać wyłącznie zatwierdzonych części zamiennych. Wszelkie uszkodzenia lub wadliwe działanie spowodowane użytkowaniem niezatwierdzonych części zamiennych nie są objęte gwarancją ani odpowiedzialnością z tytułu rękojmi za wady produktu.

Technické údaje

Popis výrobku

Pozrite si ilustráciu 2: Popis výrobku

- 1 Druh spúšť
- 2 Hlavná spúšť
- 3 Obrazovka displeja
- 4 Tlačidlá nastavení
- 5 LED hlásení
- 6 Tlačidlo obrátenia chodu
- 7 Reakčná tyč s-typu (dodáva sa s nástrojom)

Vyhlasenia

EÚ VYHLÁSENIE O ZHODE

My, **CHICAGO PNEUMATIC Tool Co.LLC**, 1815 Clubhouse Road, Rock Hill, SC 29730 - USA, vyhlasujeme na našu výhradnú zodpovednosť, že výrobok (s názvom, typovým a výrobným číslom, pozri prednú stranu), je v zhode s nasledovnou(ými) smernicou(ami):

2006/42/EC; 2011/65/UE; 2014/53/UE

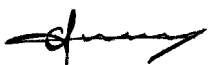
Uplatnené harmonizované normy: EN 62841-2-2:2014 + AC1:2015; EN 55014-1:2017+11:2020; EN 55014-2:2015; EN 61000-6-2:2019; EN 61000-6-3:2007 + A1:2011; EN 300328V222; EN 301489-17V324; EN 301489-1V223; EN 62311:2008; EN 62479:2010

Orgány si môžu vyžiadať príslušné technické informácie od: Pascal Roussy, R&D Manager, Ets Georges Renault, 38 rue Bobby Sands, BP10273 44818 Saint Herblain, France

Saint-Herblain, 2022/01/26

Pascal ROUSSY

Podpis emitenta



Vyhlásenie o hlučnosti a vibráciách

- Hladina akustického tlaku < 72 dB(A), neistota 3 dB(A), v súlade s EN 62841-2-2:2015.
- Hladina akustického výkonu < 83 dB(A), neistota 3 dB(A), v súlade s EN 62841-2-2:2015.
- Celková hodnota vibrácií < 2.5 m/s², neistota 3 m/s², v súlade s EN 62841-2-2:2015.

Uvedené hodnoty boli zistené laboratórnymi skúškami v súlade s uvedenými normami a sú vhodné na porovnanie s deklaroványmi hodnotami iného náradia v súlade s rovnakými normami. Tieto deklarované hodnoty nie sú vhodné na posudzovanie rizík a hodnoty odmerané na jednotlivých pracoviskách môžu byť vyššie. Hodnoty aktuálnej expozície a riziko poškodenia zdravia, zistené individuálnymi používateľmi, sú jedinečné a závisia od spôsobu práce používateľa, povahy obrobku a usporiadania pracoviska, ako aj od času expozície a fyzického stavu používateľa.

My, **CHICAGO PNEUMATIC Tool Co.LLC**, nemôžeme byť zodpovední za následky používania uvádzaných hodnôt namiesto hodnôt, ktoré zodpovedajú aktuálnemu vyžarovaniu v individuálnom posúdení rizika v situácii na pracovnom mieste, nad ktorým nemáme kontrolu.

Tento nástroj môže spôsobiť syndróm vibrácií pôsobiacich na ruky a ramená, aj nie je adekvátne spravované jeho používanie. EU príručku ohľadom vibrácií pôsobiacich na ruky a ramená nájdete na <http://www.pneurop.eu/index.php> a následným zvolením 'Nástroje', potom 'Legislatíva'.

Odporúčame preventívnu kontrolu zdravotného stavu na detekciu včasných príznakov v dôsledku zaťaženia vibráciami, aby bolo možné upraviť postupy, ktoré by zabránili výskytu ťažkostí v budúcnosti.

- ⓘ Ak toto zariadenie je určené pre upínacie aplikácie: Úroveň emisií je udaná ako odporúčanie pre techniku stroja. Údaje o emisii hluku a vibrácií pre celý stroj nájdete v návode na obsluhu stroja.

Špecifikácie bezdrôtovej komunikácie

BLUETOOTH – NEDOSTATOK ENERGIE 4.2®

Frekvencia: 2 400 MHz – 2 483,5MHz

EIRP: <10 dBm

Slovná ochranná známka a logá Bluetooth® sú registrované ochranné známky vo vlastníctve spoločnosti Bluetooth SIG, Inc

Regionálne požiadavky

⚠ VAROVANIE

Pri používaní tohto výrobku môžete byť vystavení chemikáliám vrátane olova, o ktorom je v štáte Kalifornia známe, že spôsobuje rakovinu a vrodené chyby alebo iné reprodukčné poruchy. Pre viac informácií prejdite na <https://www.p65warnings.ca.gov/>

Bezpečnosť

NEVYHADZUJE – ODOVZDAJTE POUŽÍVATEĽOVI

⚠ VAROVANIE Prečítajte si všetky bezpečnostné varovania, pokyny, obrázky a špecifikácie poskytnuté s týmto výrobkom.

Nedodržanie všetkých dole uvedených pokynov môže mať za následok zásah elektrickým prúdom, požiar, vecné škody a/alebo vážne zranenie.

Všetky varovania a pokyny si odložte pre budúce nahliadnutie.

⚠ VAROVANIE Všetky lokálne legislatívne bezpečnostné predpisy, ktoré sa týkajú inštalácie, prevádzky a údržby sa musia vždy dodržiavať.

Účel použitia

- Iba pre profesionálne použitie.
- Tento výrobok a jeho príslušenstvo sa nesmie v žiadnom prípade prerábať.
- Tento výrobok nepoužívajte, ak bol poškodený.
- Ak údaje o výrobku alebo výstražné štítky upozorňujúce na nebezpečenstvo umiestnené na výrobku prestanú byť čitateľné alebo sa uvoľnia, bezodkladne ich nahraďte.
- Výrobok smie inštalovať, obsluhovať a servisovať iba kvalifikovaná osoba v priemyselnom prostredí.

Určené použitie

Tento výrobok by mali používať iba dospelí, ktorí si prečítali pokyny a výstrahy uvedené v tomto návode a porozumeli im, a je možné ich považovať za zodpovedných za svoje konanie.

- Tento výrobok je určený na inštalovanie a odstraňovanie závitových upevňovacích prvkov do/z dreva, kovu alebo plastov.
- Len na použitie v interiéri.
- Nepoužívajte výrobok na žiaden účel, ktorý nie je uvedený vyššie.
- Iné použitie nepovolené

Odporúčané batérie

8940176068: CP36XP25

Odporúčaná nabíjačka

8940176069: CP18-36CH

Odporúčaná reakčná tyč

Použité reakčnú tyč (7) dodanú sa s nástrojom. Pre iné modely odkazujúce na reakčnú tyč pozri odkaz na dokument 6159923710

Všeobecné bezpečnostné varovania pre elektrické nástroje

⚠ VAROVANIE Prečítajte si všetky bezpečnostné varovania, pokyny, obrázky a špecifikácie poskytnuté s týmto výrobkom.

Nedodržanie všetkých dole uvedených pokynov môže mať za následok zásah elektrickým prúdom, požiar, vecné škody a/alebo vážne zranenie.

Všetky varovania a pokyny si odložte pre budúce nahliadnutie.

Termín „elektrický prístroj“ vo výstražných upozorneniach sa vzťahuje na elektricky poháňané (káblové) elektrické prístroje alebo elektrické prístroje poháňané na batérie (bezdrôtové).

Bezpečnosť pracovnej oblasti

- Na pracovisku udržiavajte poriadok a dobre ho osvetlite. Preplnené a tmavé oblasti sú rizikovejšie.
- S elektrickými nástrojmi nemanipulujte vo výbušnej atmosfére, ako napr. v prítomnosti horľavých tekutín, plynov a prachu. Elektrické nástroje spôsobujú iskry, ktoré môžu zapáliť prach alebo výpary.
- Zabezpečte, aby boli deti a pozorovatelia v dostatočnej vzdialenosti od elektrického nástroja. Pri rozpätí môžete stratiť kontrolu.

Elektrická bezpečnosť

- Zástrčka elektrického nástroja musí byť vhodná do danej zásuvky. Nikdy nijakým spôsobom neupravujte zástrčku. S uzemnenými elektrickými nástrojmi nikdy nepoužívajte adaptéry. Neupravované zástrčky a vhodné zásuvky znižujú riziko úrazu elektrickým prúdom.
- Vyhnite sa telesnému kontaktu s uzemnenými plochami, ako sú potrubia, radiátory, sporáky a chladničky. V prípade, že vaše telo je uzemnené, existuje zvýšené riziko úderu elektrickým prúdom.
- Elektrický nástroj nevystavujte dažďu ani vlhkosti. Preniknutie vody do elektrického nástroja zvyšuje riziko úrazu elektrickým prúdom.
- Nesmiete poškodiť prírodný kábel. Kábel nikdy nepoužívajte na prenášanie, ťahanie ani na odpájanie elektrického nástroja. Kábel držte v bezpečnej vzdialenosti od tepla, oleja, ostrých hrán alebo pohyblivých častí. Poškodené alebo zamotané káble zvyšujú riziko úrazu elektrickým prúdom.
- Pri prevádzke elektrického nástroja vonku používajte predlžovací kábel vhodný pre použitie v exteriéri. Používanie kábla vhodného na použitie v exteriéri znižuje riziko úrazu elektrickým prúdom.

- Ak používate elektrický nástroj vo vlhkom prostredí, je nevyhnutné použiť zdroj s prúdovým chráničom (RCD). Použitie prúdového chrániča znižuje riziko úrazu elektrickým prúdom.

Osobná bezpečnosť

- **Buďte neustále ostražití, dávajte pozor na to, čo robíte, a pri narábaní s elektrickým nástrojom používajte zdravý rozum.** Elektrický nástroj nepoužívajte, ak ste unavení alebo pod vplyvom drog, alkoholu či liekov. Chvilka nepozornosti počas prevádzky elektrických nástrojov môže mať za následok vážne zranenie.
- **Používajte osobné ochranné prostriedky.** Vždy používajte ochranu zraku. Ochranné prostriedky ako napr. maska proti prachu, protišmyková obuv, prilba alebo ochrana sluchu použité vo vhodných podmienkach znižujú riziko osobných zranení.
- **Zabráňte neúmyselnému zapnutiu.** Pred zapojením spotrebiča do zdroja napájania a/alebo batérií, zdvihnutím alebo prenosom nástroja skontrolujte, či je vypínač v polohe Vypnuté. Prenášanie elektrických nástrojov s prstom na vypínači alebo napájanie elektrických nástrojov, keď majú vypínač v polohe Zapnutý, môže spôsobiť nehody.
- **Pred zapnutím elektrického nástroja odstráňte prípadný nastavovací alebo uťahovací kľúč.** V opačnom prípade môžu tieto kľúče, ak sú pripojené k rotujúcej časti elektrického nástroja, spôsobiť zranenie.
- **Nenaťahujte sa.** Udržiavajte stabilný postoj a rovnováhu počas celej doby narábania s nástrojom. To vám umožní lepšie ovládanie elektrického nástroja v neočakávaných situáciách.
- **Vhodne sa oblečte.** Nenoste voľné oblečenie alebo šperky. Vlasy a odev udržiavajte v bezpečnej vzdialenosti od pohyblivých častí. Voľné oblečenie, šperky alebo dlhé vlasy sa môžu zachytiť do pohyblivých častí.
- **V prípade, že sú k dispozícii zariadenia na odsávanie prachu a iné zberné zariadenia, skontrolujte, či sú správne pripojené a používané.** Použitie odsávača prachu môže znížiť riziká spojené s prachom.
- **Vedomosti získané z častého používania nástrojov neznamenajú, že sa môžete uspokojiť a ignorovať bezpečnostné princípy nástrojov.** Nedbanlivá činnosť môže spôsobiť vážne zranenie v zlomku sekundy.
- **Nástroj chytíte za izolované povrchy uchopenia pri operáciách, kedy by mohlo dôjsť k dotyku so skrytou kabelážou.** Kontakt uťahovačov s elektr. vedením, ktoré je pod napätím, môže dostať pod napätie aj nechránené kovové súčiastky elektr. nástroja a spôsobiť zásah elektrickým prúdom.

Používanie a starostlivosť o elektrické nástroje

- **Elektrický nástroj nepreťažujte.** Použité elektrický nástroj vhodný na daný účel. Správny elektrický nástroj vykoná danú prácu lepšie a bezpečnejšie spôsobom, na ktorý bol navrhnutý.
- **Elektrický nástroj nepoužívajte, ak nefunguje správne vypínač.** Akýkoľvek nástroj, ktorý nemožno ovládať vypínačom, je nebezpečný a treba ho opraviť.

- **Pred vykovaním akýchkoľvek nastavení, zmien príslušenstva alebo pred skladovaním elektrických nástrojov odpojte zástrčku zo zdroja napájania a/ alebo odpojte batérie, ak sú odnímateľné.** Každé preventívne bezpečnostné opatrenie znižuje riziko náhodného spustenia nástroja.
- **Nástroje s jalovým výkonom uskladnite mimo dosahu detí a nedovoľte osobám, ktoré nie sú oboznámené s týmito nástrojmi alebo s týmito pokynmi, aby ich používali.** Elektrické nástroje sú nebezpečné v rukách neškolených osôb.
- **Údržba elektrických nástrojov Skontrolujte, či nedošlo k vyoseniu pohyblivých častí alebo ich spojeniu s materiálom vplyvom trenia, ich zlomeniu alebo iným okolnostiam, ktoré môžu ovplyvniť prevádzku elektrického nástroja. Ak je nástroj poškodený, pred použitím ho dajte opraviť.** Mnohé nehody sú spôsobené použitím zle udržiavaných elektrických nástrojov.
- **Rezné nástroje udržiavajte ostré a čisté.** Správne udržiavané rezné nástroje s ostrými reznými hranami sú menej náchylné na zachytenie materiálu vplyvom trenia a ľahšie sa ovládajú.
- **Elektrický nástroj, príslušenstvo a nadstavce atď. používajte v súlade s týmito pokynmi, pričom treba vziať do úvahy pracovné podmienky a vykonávanú prácu.** Použitie elektrického nástroja na iné operácie, než na ktoré je určený, by mohlo spôsobiť vznik nebezpečnej situácie.
- **Rukoväte a úchopné povrchy udržiavajte suché, čisté a bez oleja a mastnoty.** Šmyklivé rukoväte a úchopné povrchy neumožňujú bezpečnú manipuláciu a ovládanie nástroja v nečakaných situáciách.

Používanie a starostlivosť o batérie

- **Dobíjanie vykonajte iba s nabíjačkou špecifikovanou výrobcom.** Nabíjačka vhodná pre jeden druh batérií môže spôsobiť nebezpečenstvo pri použití s iným druhom batérií.
- **Elektrické nástroje používajte iba so špeciálne určenými batériami.** Používanie akýchkoľvek iných batérií môže spôsobiť riziko poranenia alebo požiaru.
- **Keď sa batérie nepoužívajú, uschovajte ich v dostatočnej vzdialenosti od kovových predmetov, ako napr. sponiek na papier, mincí, kľúčov, klincov, skrutiek a iných malých kovových predmetov, ktoré dokážu vytvoriť prepojenie z jedného pólu na druhý.** Skratovanie pólov batérie môže spôsobiť popáleniny alebo požiar.
- **V nevhodných podmienkach môže z batérie uniknúť tekutina, vyhnite sa kontaktu. V prípade kontaktu s tekutinou opláchnite dané miesto vodou. V prípade zasiahnutia očí vyhl'adajte lekársku pomoc.** Tekutina vyliata z batérie môže spôsobiť podráždenia alebo popáleniny.
- **Nepoužívajte batérie ani nástroje, ktoré sú poškodené alebo upravené.** Poškodené alebo upravené batérie môžu vykazovať neočakávané správanie s následkom ohňa, výbuchu alebo rizika zranenia.

- **Nevystavujte batérie ani nástroj ohňu ani nadmerným teplotám.** Vystavenie ohňu alebo teploty nad 130 °C môže spôsobiť výbuch.
- **Postupujte podľa všetkých pokynov na nabíjanie a nenabíjajte batérie ani nástroj mimo teplotného rozsahu uvedeného v pokynoch.** Nesprávne nabíjanie alebo nabíjanie pri teplotách mimo určeného rozsahu môže poškodiť batériu a zvýšiť riziko požiaru.

Servis

- **Elektrický nástroj môže servisovať iba kvalifikovaný odborník za použitia identických náhradných dielov.** Zabezpečí sa tak zachovanie bezpečnosti elektrického nástroja.
- **Nikdy neservisujte poškodené batérie.** Servis batérií smú vykonávať iba výrobca alebo autorizované servisné strediská.

Pokyny špecifické pre výrobník

Výstraha!

Aby sa znížilo riziko požiaru, osobného zranenia a poškodenia produktu kvôli skratu, nikdy neponárajte nástroj, batérie ani nabíjačku do kvapaliny, ani nedovoľte, aby sa kvapalina dostala dovnútra. Korozívne alebo vodivé kvapaliny, napríklad morská voda, určité priemyselné chemikálie a bieliadlo alebo produkty s obsahom bieliadla atď., môžu spôsobiť skrat.

Špeciálne opatrenia

- Stroj sa smie používať iba spolu s príslušnou tyčou reakčného momentu, ktorá je prispôbená príslušnej aplikácii skrutkového spoja.
- Používajte dvojité spúšťač na minimalizáciu nebezpečenstva zachytenia prstov alebo rúk medzi reakčnú tyč a obrobok.

Všeobecná bezpečnosť pri inštalácii

Inštaláciu prenechajte iba na kvalifikovaný personál.

Nástroj bezpečne zavesťe, napríklad pomocou navijaka. Pri používaní vidlice zavesenia skontrolujte, či je v dobrom stave a správne upevnená.

Systém vždy zapojte do uzemnenej zásuvky. Pred pripojením alebo odpojením kábla nástroja vždy skontrolujte, či je odpojený napájací kábel a vypnutý ovládač.

Špeciálne opatrenia

VAROVANIE Nebezpečenstvo pomliaždenia

Duálny spúšťač núti používateľa používať obidve ruky na obsluhu nástroja. Ak sa nepoužíva, operátor môže pri nastavovaní reakčnej tyče náhodou spustiť nástroj, čo môže mať za následok vážne poranenie rúk.

- ▶ Zabezpečte, aby sa po uvoľnení duálneho spúšťača nemohol nástroj spustiť.
- ▶ Nástroj vždy najskôr otestujte uvoľnením spúšťača dvojitého spúšťača, potom stlačte spúšťač nástroja. Ak sa nástroj spustí, prestaňte pracovať.

Všeobecná prevádzková bezpečnosť

- Kvôli riziku zamotania nepoužívajte rukavice.
- **Pripravte sa na reakčnú silu, ktorá vzniká pri používaní nástroja.** Držadlo nástroja vždy bezpečne podprite v opačnom smere proti otáčaniu vretena, aby sa znížil účinok náhle momentovej reakcie v koncovnej fáze zatiahnutia a počiatočnej fáze povoľovania.
- Nikdy nedržte upínadlo, nástrčkový kľúč ani nastavac nástrčkového kľúča.
- Pracovníci obsluhy a údržby musia byť fyzicky schopní objemný, ťažký a mohutný nástroj manipulovať.
- Ak je to možné, použite rameno nápravy na absorbovanie záťažného momentu. Ak to nie je možné, odporúčame bočné rukoväte pre zapuzdrené nástroje a nástroje s pištoľovou rukoväťou; pre uhlové uťahovacie kľúče odporúčame reakčné tyče. Odporúča sa použiť pomôcku na absorbovanie reakčného krútiaceho momentu nad 4 Nm (3 lbf.ft) pri zapuzdrených nástrojoch, nad 10 Nm (7,5 lbf.ft) pri nástrojoch s pištoľovou rukoväťou, a nad 60 Nm (44 lbf.ft) pri uhlových uťahovacích kľúčoch.
- Upevňovacie prvky, ktoré sú utiahnuté príliš veľa alebo príliš málo, môžu mať za následok vážne zranenie. Montážne operácie so špecifickým momentom utiahnutia musia byť skontrolované meračom momentu. Tzv. „cvakacie“ momentové kľúče nekontrolujú potenciálne nebezpečné podmienky prílišného utiahnutia. Upevňovacie prvky, ktoré sú utiahnuté príliš veľa alebo príliš málo, sa môžu zlomiť, uvoľniť alebo oddeliť. Uvoľnené príslušenstvo môže byť vymrštené.
- Používajte iba mechanické alebo nástrčkové kľúče v dobrom stave. Nepoužívajte ručné nástrčkové kľúče.
- Pri používaní elektrického nástroja môže operátor cítiť nepohodlie v rukách, ramenách, pleciach, krku alebo iných častiach tela. Počas pracovného dňa striedajte vhodné držanie tela, zachovajte si bezpečný postoj a vyhýbajte sa neprirodzeným alebo nerovnovážnym polohám.
- Opakované pracovné pohyby, nevhodná poloha a vystavenie vibráciám môže mať škodlivý vplyv na paže a ruky. Ak dôjde k znečítlivaniu, tŕpnutiu, bolesti alebo zblednutiu kože, prestaňte s nástrojom pracovať a vyhľadajte lekára.
- Pri prevádzke v stiesnených priestoroch buďte opatrní. Dajte pozor, aby nedošlo k stlačeniu alebo rozdrveniu ruky, ak by sa dostala medzi nástroj a dielec.
- Vysoké zvukové hladiny môžu spôsobiť trvalú stratu sluchu. Používajte ochranu sluchu odporúčanú zamestnávateľom alebo predpismi týkajúcimi sa zdravia a bezpečnosti na pracovisku.
- Skontrolujte, či je obrobok bezpečne upnutý.
- V neznámom prostredí postupujte opatrne. Majte na mysli možné nebezpečenstvá vyplývajúce z vašej pracovnej činnosti. Tento nástroj nie je izolovaný proti kontaktu so zdrojmi elektriny.

Nástroje používané spolu s reakčnou tyčou: Nikdy nepoložte vašu ruku na alebo blízko reakčnej tyče, pokiaľ sa nástroj používa. Pred spustením nástroja dávajte, prosím, pozor na smer otáčania. Reakčná sila môže pôsobiť v neočakávanom smere s rizikom poranenia pomliaždením.

Nástroje obsahujúce spojku: Nikdy nepoužívajte výrobok, ak si nie ste istí, že spojka vypína. Ihneď po nastavení spojky skontrolujte správnosť operácie.

⚠ VAROVANIE Nebezpečenstvo zranenia

Uistite sa, že je použitý správny súbor parametrov. Nesprávny súbor parametrov by mohol spôsobiť príliš vysoký uťahovací moment a v jeho dôsledku fyzické zranenie.

- ▶ Porovnajete maximálny uťahovací moment, ktorý je zobrazený na ovládači, s maximálnym uťahovacím momentom uvedeným v technických údajoch nástroja. Mali by byť rovnaké.

Všeobecné pokyny

Nástroj sa smie používať iba spolu s príslušnou tyčou reakčného momentu, ktorá je prispôbená príslušnej aplikácii skrutkového spoja.

⚠ VAROVANIE Nebezpečenstvo pomliaždenia



Pred spustením vykonajte kontrolu smeru otáčania nástroja! Spustenie v neočakávanom smere otáčania môže spôsobiť telesné zranenie alebo poškodenie majetku. Pohyblivé diely môžu spôsobiť pomliaždenie a porezanie.

- ▶ Pred spustením nástroja sa uistite, že má nástroj správny smer otáčania.
- ▶ Držte ruky a prsty v bezpečnej vzdialenosti od pohyblivých dielov.

Prevádzka nástroja

1. Namontujte reakčnú tyč podľa bezpečnostných pokynov opísaných v tomto dokumente.
2. Upevnite nástroj s vhodným upínadlom podľa bezpečnostných pokynov opísaných v tomto dokumente.
3. Nastavte správny režim pomocou tlačidiel nastavení (4) a obrazovky displeja (3).
4. Vyberte správny smer pomocou tlačidla obrátenia chodu (6).
5. Umiestnite nástroj a reakčné rameno (7) podľa bezpečnostných pokynov opísaných v tomto dokumente.
6. Stlačte a držte stlačenú druhú spúšť (1).
7. Stlačte a držte stlačenú hlavnú spúšť (2).
8. Držte spúšte stlačené (1 a 2) až do ukončenia prevádzky.

9. Skontroluje stav prevádzky na LED hlásení (5). Zelená (Ok), červená (Nok).

Akumulátor

Akumulátory, ktoré sa určitý čas nepoužívali, by sa pred použitím mali nabiť.

Teploty vyššie ako 50 °C (122 °F) znižujú výkon akumulátora. Vyhnite sa vystaveniu horúčave alebo slnečnému žiareniu (nebezpečenstvo prehriatia).

Kontakty nabíjačiek a akumulátorov sa musia uchovávať čisté.

Na zabezpečenie optimálnej životnosti sa akumulátory po použití musia plne nabiť. Ak chcete zabezpečiť čo najdlhšiu životnosť akumulátora, po plnom nabití ho vyberte z nabíjačky.

Batérie obsahujú ochranu pred preťažením, ktorá ich chráni pred preťažením a pomáha im udržať si dlhú životnosť. Pri nadmernom zaťažení elektronika batérií automaticky produkt vypne. Na opätovné zapnutie vypnite produkt a znova ho zapnite. Ak sa produkt znova nezapne, batérie môžu byť úplne vybité. V takomto prípade sa musia nabiť v nabíjačke batérií.

Pokyny pre údržbu

- **Pre bezpečnú manipuláciu a likvidáciu všetkých komponentov dodržiavajte environmentálne nariadenia danej krajiny.**
- Údržbu a opravy musí vykonávať kvalifikovaný personál používajúci iba originálne náhradné diely. Ak potrebujete poradenstvo o technických službách alebo náhradné diely, obráťte sa na výrobcu alebo na najbližšieho autorizovaného predajcu.
- Vždy zabezpečte, aby bol stroj odpojený od zdroja energie, aby sa predišlo náhodnej prevádzke.
- Ak sa nástroj používa každý deň, demontujte a skontrolujte ho každé 3 mesiace. Vymeňte poškodené alebo opotrebované diely.
- Nikdy neumožnite, aby sa brzdové kvapaliny, benzín, ropné produkty, penetračné oleje atď. dostali do kontaktu s plastovými časťami. Chemikálie môžu poškodiť, oslabiť alebo zničiť plasty, čo môže spôsobiť vážne zranenia osôb.
- Pri čistení plastových častí nepoužívajte rozpúšťadlá. Väčšina plastov je náchylná na poškodenie rôznymi typy komerčných rozpúšťadiel a pri ich používaní sa môžu poškodiť. Na odstránenie nečistôt, prachu, oleja, mastnoty atď. používajte čistú látku.

Likvidácia

- Likvidácia tohto vybavenia sa musí riadiť právnymi predpismi príslušnej krajiny.
- Všetky poškodené, opotrebované alebo nesprávne fungujúce zariadenia SA MUSIA VYRADIŤ Z PREVÁDZKY.

Značky a nálepky

Tento výrobok je vybavený značeniami a nálepkami, ktoré obsahujú dôležité informácie o osobnej bezpečnosti a údržbe výrobku. Značenia a nálepky musia byť vždy ľahko čitateľné. Nové značenia a nálepky môžete objednať pomocou zoznamu náhradných dielov.



5011050

Symbols



Pred začatím akejkoľvek práce so strojom vyberte akumulátor.



Pred zapnutím stroja si pozorne prečítajte návod.



Elektrické nástroje nelikvidujte spolu s domovým odpadom. Elektrické nástroje a elektronické zariadenia, ktoré dosiahli koniec svojej životnosti, sa musia zbierať samostatne a likvidovať v ekologickom recyklačnom zariadení. Informácie o recyklácii a zbernom mieste získate od miestneho orgánu alebo predajcu.



Pri používaní stroja vždy noste ochranné okuliare.

n_0

Otáčky naprázdno.

V

Volty

min^{-1}

za minútu



Jednosmerný prúd



UPOZORNENIE! VAROVANIE!
NEBEZPEČENSTVO!

Užitočné informácie

Webová stránka

Informácie ohľadne našich výrobkov, príslušenstva, náhradných dielov a zverejnených materiálov nájdete na webovej stránke Chicago Pneumatic.

Navštívte, prosím: www.cp.com.

Krajina pôvodu

HUNGARY

Karta bezpečnostných údajov

Karty bezpečnostných údajov popisujú chemické výrobky predávané spoločnosťou Chicago Pneumatic.

Pre viac informácií navštívte webovú stránku spoločnosti Chicago Pneumatic qr.cp.com/sds.

Copyright

© Copyright 2022, CHICAGO PNEUMATIC Tool Co.LLC, 1815 Clubhouse Road, Rock Hill, SC 29730 - USA

Všetky práva vyhradené. Akékoľvek neautorizované použitie alebo kopírovanie obsahu alebo jeho časti je zakázané. Týka sa to predovšetkým obchodných značiek, označení modelov, čísiel dielov a výkresov. Používajte iba autorizované diely. Na akékoľvek škody alebo zlyhania spôsobené používaním neautorizovaných dielov sa nevzťahuje záruka ani ručenie za produkt.

Technické údaje

Popis produktu

Viz ilustraci 2: Popis produktu

- 1 Druhá spoušť
- 2 Základní spoušť
- 3 Displej
- 4 Tlačítka nastavení
- 5 LED kontrolky hlášení
- 6 Tlačítko zpětného chodu
- 7 Reakční tyč typu s (součást dodávky nástroje)

Prohlášení

EU PROHLÁŠENÍ O SHODĚ

My, společnost **CHICAGO PNEUMATIC Tool Co.LLC**, 1815 Clubhouse Road, Rock Hill, SC 29730 - USA, na vlastní odpovědnost prohlašujeme, že produkt (s názvem, typem a sériovým číslem, viz přední strana) splňuje požadavky následujících směrnic: 2006/42/EC; 2011/65/UE; 2014/53/UE

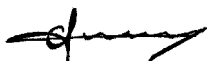
Použité harmonizované normy: EN 62841-2-2:2014 + AC1:2015; EN 55014-1:2017+11:2020; EN 55014-2:2015; EN 61000-6-2:2019; EN 61000-6-3:2007 + A1:2011; EN 300328V222; EN 301489-1V324; EN 301489-1V223; EN 62311:2008; EN 62479:2010

Úřady si mohou vyžádat příslušné technické informace od: Pascal Roussy, R&D Manager, Ets Georges Renault, 38 rue Bobby Sands, BP10273 44818 Saint Herblain, France

Saint-Herblain, 2022/01/26

Pascal ROUSSY

Podpis vystavitele



Prohlášení o hluku a vibracích

- Úroveň akustického tlaku < 72 dB(A), neurčitost 3 dB(A), v souladu s EN 62841-2-2:2015.
- Úroveň akustického výkonu < 83 dB(A), neurčitost 3 dB(A), v souladu s EN 62841-2-2:2015.
- Celková hodnota vibrací < 2.5 m/s², nejistota 3 m/s², v souladu s normou EN 62841-2-2:2015.

Tyto deklarované hodnoty byly získány laboratorními testováním v souladu s uvedenými standardy a jsou vhodné pro porovnání s deklarovanými hodnotami jiného nářadí testovaného v souladu se stejnými standardy. Tyto deklarované hodnoty nejsou vhodné pro použití při stanovení rizika a hodnoty naměřené na konkrétním pracovišti mohou být vyšší. Aktuální hodnoty zatížení hlukem a vibracemi a nebezpečí újmy zaznamenané konkrétním uživatelem jsou individuální a závisí na způsobu práce uživatele, obrobku a uspořádání pracoviště, jakož i na době vystavení a na fyzické kondici uživatele.

My, společnost **CHICAGO PNEUMATIC Tool Co.LLC**, neponese žádnou odpovědnost za důsledky použití deklarovaných hodnot, namísto hodnot odrážejících skutečnou expozici, při individuálním hodnocení rizik v konkrétní situaci na pracovišti, kterou nemůžeme nijak ovlivnit.

Tento nástroj, pokud není přiměřeným způsobem používán, může způsobovat vibrační syndrom ruky a paže. Pokyny EU týkající se zvládnutí vibrační ruky a paže naleznete na webové stránce <http://www.pneurop.eu/index.php>, kde zvolte možnost „Tools“ (Nástroje) a poté „Legislation“ (Legislativa).

Doporučujeme program zdravotního dohledu umožňující včasné odhalení symptomů, které mohou souviset se zatížením vibracemi, aby bylo možné upravit řídicí procesy s cílem předcházení budoucím újmám.

- ⓘ Pokud je toto zařízení určeno pro vestavěné aplikace: Hlukové emise jsou uvedeny jako vodítko pro výrobce stroje. Údaje o hlukových a vibračních emisích pro celý stroj musí být uvedeny v návodu k použití stroje.

Specifikace bezdrátové komunikace

BLUETOOTH LOW ENERGY 4.2®

Frekvence: 2 400 MHz – 2 483,5 MHz

EIRP: <10 dBm

Slovní značka a loga Bluetooth® jsou registrované ochranné známky ve vlastnictví společnosti Bluetooth SIG, Inc

Oblastní požadavky

⚠ VÝSTRAHA

U tohoto výrobku můžete být vystaveni působení chemických látek včetně olova, což je ve státě Kalifornie faktor způsobující rakovinu, poškození plodu nebo jiné reprodukční poškození. Více informací je k dispozici na stránce

<https://www.p65warnings.ca.gov/>

Bezpečnost

NEVYHAZUJTE – PŘEDEJTE UŽIVATELI

⚠ VÝSTRAHA Přečtěte si všechny bezpečnostní výstrahy, pokyny, ilustrace a specifikace dodané s tímto produktem.

Nedodržení veškerých níže uvedených pokynů může mít za následek úraz elektrickým proudem, požár, poškození majetku nebo vážný úraz.

Uschovejte veškeré texty varování a pokynů i pro budoucí potřebu.

⚠ VÝSTRAHA Vždy dodržujte všechna zákonná bezpečnostní pravidla týkající se instalace, provozu a údržby produktu.

Prohlášení o použití

- Pouze pro profesionální použití.
- Tento nástroj a jeho příslušenství je zakázáno jakýmkoliv způsobem upravovat.
- Nepoužívejte tento produkt, pokud je poškozen.
- Pokud na produktu nejsou čitelné štítky s údaji o produktu či výstražné štítky, nebo pokud dojde k jejich oddělení od produktu, bez prodlení je nahraďte novými.
- Tento produkt smí instalovat, používat či provádět jeho servis pouze kvalifikované osoby v průmyslovém montážním prostředí.

Určené použití

Produkt je určen k použití pouze dospělými osobami, které četly a porozuměly pokynům a výstrahám uvedeným v této příručce a které můžeme považovat za osoby odpovědné za své konání.

- Tento produkt je zkonstruován pro montáž upevňovacích prvků do dřeva, kovu nebo plastu a pro jejich demontáž z těchto materiálů.
- Pouze pro použití v interiéru.
- Nepoužívejte tento produkt k žádným jiným účelům než k těm, které jsou popsány výše.
- Jiné použití není povoleno

Doporučené baterie

8940176068: CP36XP25

Doporučená nabíječka

8940176069: CP18-36CH

Doporučená reakční tyč

Použijte reakční tyč (7), která je součástí dodávky nástroje. Pro jiné modely je typ reakční tyče uveden v dokumentu s referenčním číslem 6159923710

Obecná bezpečnostní varování týkající se elektrických nástrojů

⚠ VÝSTRAHA Přečtěte si všechny bezpečnostní výstrahy, pokyny, ilustrace a specifikace dodané s tímto produktem.

Nedodržení veškerých níže uvedených pokynů může mít za následek úraz elektrickým proudem, požár, poškození majetku nebo vážný úraz.

Uschovejte veškeré texty varování a pokynů i pro budoucí potřebu.

Pojem „elektrický nástroj“ ve výstrahách znamená elektrický nástroj napájený ze sítě (s napájecí šňůrou), nebo elektrický nástroj napájený akumulátorem (bezšňůrový).

Bezpečnost pracoviště

- **Udržujte pracoviště uklizené a dobře osvětlené.** Místa kde je nepořádek a tma přivolávají nehody.
- **S elektrickými nástroji nepracujte ve výbušném prostředí, jako je přítomnost hořlavých kapalin, plynů nebo prachu.** Elektrické nářadí vytváří jiskry, které mohou prach nebo výpary zažehnout.
- **Dbejte na to, aby při práci s elektrickými nástroji nebyly v blízkosti náhodné osoby a děti.** Vyrušení může způsobit ztrátu ovládnání.

Elektrická bezpečnost

- **Zástrčky musí odpovídat zásuvkám. Zástrčku nikdy žádným způsobem neupravujte. U uzemněných elektrických nástrojů nikdy nepoužívejte žádné adaptéry zástrčky.** Neupravované zástrčky a odpovídající zásuvky snižují riziko úrazu elektrickým proudem.
- **Vyvarujte se tělesnému kontaktu s uzemněnými povrchy, jako jsou potrubí, radiátory, sporáky a chladničky.** Je-li vaše tělo uzemněné, existuje zvýšené riziko úrazu elektrickým proudem.
- **Nevystavujte elektrické nástroje působení deště nebo mokrého prostředí.** Vniknutí vody do elektrického nástroje zvyšuje riziko úrazu elektrickým proudem.
- **Dávejte pozor při manipulaci s napájecí šňůrou. Napájecí šňůru nikdy nepoužívejte k přenášení či tažení elektrického nástroje, ani k vytahování zástrčky ze zásuvky. Šňůru ved'te mimo zdroje tepla, maziva, ostré hrany a pohyblivé díly.** Poškozená či zamotaná napájecí šňůra zvyšuje riziko úrazu elektrickým proudem.
- **Při práci s elektrickým nástrojem ve venkovním prostředí používejte výhradně prodlužovací šňůru vhodnou pro použití ve venkovním prostředí.** Použití šňůry vhodné pro venkovní prostředí omezuje riziko úrazu elektrickým proudem.
- **Je-li nutné použít elektrický nástroj na vlhkém místě, použijte zdroj energie chráněný proudovým chráničem (RCD).** Použití proudového chrániče omezuje riziko úrazu elektrickým proudem.

Osobní bezpečnost

- **Bud'te neustále ostražití, dávejte pozor na to, co děláte, a při práci s elektrickým nástrojem používejte zdravý rozum. Elektrický nástroj nepoužívejte,**

pokud jste unavení anebo pod vlivem drog, alkoholu či léků. Chvilková nepozornost při používání elektrických nástrojů může způsobit vážné zranění.

- **Používejte osobní ochranné prostředky. Vždy používejte ochranu zraku.** Ochranné prostředky, jako je například protiprachová maska, protiskluzová bezpečnostní obuv, ochranná přilba nebo ochrana sluchu, použité v příslušných podmínkách, snižují riziko osobních úrazů.
- **Zabraňte náhodnému spuštění. Před připojením nástroje ke zdroji energie anebo připojením bateriového zdroje k nástroji, před zvedáním nebo přenášením nástroje se ujistěte, zda je spínač v poloze „vypnuto“.** Přenášení elektrických nástrojů s prstem na spínači nebo jejich připojování ke zdroji energie se zapnutým spínačem je častou příčinou nehod.
- **Před zapnutím elektrického nástroje vyjměte nastavovací přípravek nebo klíč.** Klíč nebo přípravek, který zůstane nasazen na rotující části elektrického nástroje, může způsobit zranění.
- **Nikdy se s nástrojem příliš nenaklánějte. Po celou dobu práce s nástrojem udržujte stabilní postoj a rovnováhu.** To umožňuje lepší kontrolu nad elektrickým nástrojem v neočekávaných situacích.
- **Noste vhodný oděv. Nenoste volný oděv a šperky. Dbejte na to, aby oděv a vlasy byly mimo pohyblivé části.** Volný oděv, šperky a dlouhé vlasy by mohly být pohyblivými částmi zachyceny.
- **Pokud je nástroj vybaven připojením k zařízení na odsávání a zachytávání prachu, ujistěte se, zda je toto zařízení připojeno a správně používáno.** Odsávání prachu může omezit rizika spojená s výskytem prachu.
- **Dbejte, abyste kvůli dobré znalosti nástroje při jeho častém používání nepodlehli pocitu sebeuspokojení a nepřestali dodržovat bezpečnostní principy používání nástroje.** Neopatrná manipulace může během zlomku sekundy způsobit vážné poranění.
- **Při provádění operací, při nichž by se řezný nástroj mohl dotknout skrytých vodičů, držte elektrický nástroj pouze na izolovaných površích určených k uchopení nástroje.** Při dotyku spojovacího prvku s vodičem "pod napětím" se mohou dostat "pod napětí" i kovové části elektrického nástroje a způsobit operátorovi úraz elektrickým proudem.

Používání a údržba elektrického nástroje

- **Elektrický nástroj nepřetěžujte. Pro vaši aplikaci používejte správný nástroj.** Správný elektrický nástroj udělá práci lépe a bezpečněji při rychlosti, k níž byl vytvořen.
- **Pokud spínač nástroj nezapne a nevypne, nástroj nepoužívejte.** Každý elektrický nástroj, který nelze ovládat spínačem, je nebezpečný a je nutné jej opravit.
- **Před prováděním jakýchkoliv nastavení elektrického nástroje, výměn jeho příslušenství nebo jeho uložení vždy odpojte zástrčku elektrického nástroje od zdroje energie a/nebo bateriový zdroj od elektrického nástroje.** Takové preventivní bezpečnostní opatření snižuje riziko náhodného spuštění elektrického nástroje.

- **Vypnutý elektrický nástroj ukládejte mimo dosah dětí a nedovolte, aby jej používaly osoby, které se s elektrickým nástrojem nebo těmito pokyny dobře neseznámily.** Elektrické nástroje v rukách nepovolaných osob jsou nebezpečné.
- **Údržba elektrických nástrojů a doplňků. Zkontrolujte, zda elektrický nástroj není špatně nastavený, zda nedošlo k zaseknutí pohyblivých částí, poškození částí a vzniku jakéhokoliv jiného stavu, který by mohl ovlivnit práci s elektrickým nástrojem. Pokud je elektrický nástroj poškozený, před použitím jej opravte.** Mnoho nehod bylo způsobeno nedostatečnou údržbou elektrických nástrojů.
- **Řezné nástroje udržujte v ostrém a čistém stavu.** U řádně udržovaných řezných nástrojů s ostrými řeznými břity je menší pravděpodobnost zaseknutí se a snadněji se ovládají.
- **Používejte elektrický nástroj, jeho příslušenství a nástavce atd. v souladu s těmito pokyny a vezměte v úvahu také pracovní podmínky a práci, kterou budete provádět.** Použití elektrického nástroje k jiné činnosti, než je jeho zamýšlené použití, může vést ke vzniku nebezpečných situací.
- **Rukojeť a povrchy určené k uchopení vždy udržujte suché a čisté, bez oleje a maziva.** Kluzké rukojeti a povrchy určené k uchopení neumožňují bezpečnou manipulaci a ovládání nástroje v neočekávaných situacích.

Použití baterií a péče o ně

- **Dobíjení baterie provádějte pouze s nabíječkou specifikovanou výrobcem.** Nabíječka, která je vhodná pro jeden typ bateriového zdroje, může představovat riziko požáru, pokud bude použita s jiným bateriovým zdrojem.
- **Elektrické nástroje používejte pouze s bateriovými zdroji určenými konkrétně pro daný elektrický nástroj.** Použití jakýchkoliv jiných bateriových zdrojů může vytvořit riziko vzniku úrazu nebo požáru.
- **Pokud není bateriový zdroj používán, uchovávejte jej odděleně od jiných kovových předmětů, jako jsou například kancelářské sponky, mince, klíče, hřebíky, šrouby nebo jiné malé kovové předměty, které by mohly způsobit vzájemné propojení kontaktů bateriového zdroje.** Vzájemné zkratování kontaktů baterie může způsobit popáleniny nebo požár.
- **Při nesprávném používání může z baterie vytéct kapalina; zabraňte jakémukoliv kontaktu s touto kapalinou. Pokud ke kontaktu přesto náhodně dojde, opláchněte postižené místo vodou. Při kontaktu kapaliny s okem kromě toho okamžitě vyhledejte lékařskou pomoc.** Kapalina vyteká z baterie může způsobit podráždění nebo popáleniny.
- **Nepoužívejte bateriový zdroj ani nástroj, pokud by byly poškozené nebo upravené.** Poškozené nebo upravené baterie mohou vykazovat nepředvídatelné chování, jehož výsledkem může být požár, výbuch nebo riziko úrazu.
- **Bateriový zdroj ani nástroj nevystavujte ohni nebo příliš vysoké teplotě..** Vystavení ohni nebo teplotě nad 130 °C může způsobit explozi.

- Postupujte podle pokynů pro nabíjení a sadu baterií ani nástroj nenabíjejte mimo teplotní rozmezí uvedené v pokynech. Nesprávné nabíjení nebo nabíjení při teplotách mimo specifikovaný rozsah může poškodit baterii a způsobit riziko požáru.

Servis

- Provádění servisních činností na vašem elektrickém nástroji svěřte výhradně kvalifikované osobě, která použije identické náhradní díly. Pouze tak bude zaručeno stálé zajištění bezpečnosti elektrického nástroje.
- Poškozené bateriové zdroje nikdy neopravujte. Bateriové zdroje mohou opravovat pouze pracovníci výrobce nebo autorizovaných poskytovatelů servisních služeb.

Pokyny specifické pro produkt

Výstraha!

Abyste omezili riziko požáru, tělesných poranění a vzniku škod v důsledku elektrických zkratů, tak nikdy nedopustíte, aby se váš nástroj, bateriové napájení nebo nabíječka ponořily do kapalin ani aby do nich kapalina natekla. Korozivní nebo elektricky vodivé kapaliny, jako je mořská voda, určité průmyslové chemikálie a bělidla nebo bělidla obsahující výrobky, atd. mohou vyvolat zkrat.

Speciální bezpečnostní opatření

- Stroj smí být používán pouze s připojenou momentovou reakční tyčí, která je přizpůsobena pro příslušnou aplikaci šroubového spoje.
- Použijte dvojité spouštěcí tlačítko pro minimalizaci nebezpečí zachycení prstů nebo ruky mezi reakční tyčí a obrobkem.

Obecná bezpečnost při instalaci

Instalaci svěřte pouze vyškoleným osobám.

Zavěste nástroj bezpečně, například pomocí vyvažovacího zařízení. Při používání závěsného třmenu zkontrolujte, zda je v dobrém stavu a správně připevněný.

Systém vždy zapojte do uzemněné zásuvky. Před zapojením nebo odpojením kabelu nástroje vždy zkontrolujte, zda je odpojena síťová zástrčka a zda je vypnutá řídicí jednotka.

Speciální bezpečnostní opatření

VÝSTRAHA Nebezpečí rozdrčení

Dvojité spouštěcí tlačítko nutí uživatele používat při práci s nástrojem obě ruce. Pokud se nepoužívá, obsluha může nástroj náhodně spustit během nastavování reakční tyče, což může mít za následek vážné zranění.

- ▶ Ujistěte se, že nástroj nelze po uvolnění dvojitého spouštěcího tlačítka spustit.
- ▶ Vždy nejdříve vyzkoušejte nástroj uvolněním dvojitého spouštěcího tlačítka a poté stiskněte spouštěcí tlačítko nástroje. Pokud se nástroj spustí, zastavte práci.

Obecná bezpečnost při provozu

- Z důvodu rizika namotání nepoužívejte rukavice.
- **Bud'te připraveni na reakční sílu, která může při používání nástroje vzniknout.** Vždy držte rukojeť nástroje pevně, ve směru proti pohybu otáčení vřetena, abyste omezili účinek neočekávaného reakčního krouticího momentu v závěru dotahování a při zahájení uvolňování.
- Nikdy se nepokoušejte držet otáčející se části nástroje, nástavce ani prodloužení nástroje.
- Osoby provádějící obsluhu a údržbu musí být fyzicky schopné manipulovat s objemným, těžkým a výkonným nástrojem.
- Je-li to možné, použijte závěsné rameno absorbující reakční moment. Pokud není možné použít závěsné rameno, je doporučeno v případě nástrojů s rovným pouzdrem či pistolovou rukojetí použít boční rukojeť; v případě úhlových utahováků je doporučeno použití reakčních tyčí. Je doporučeno používat prostředky schopné absorbovat reakční moment vyšší než 4 Nm (3 lbf.ft) u nástrojů s rovným pouzdrem, vyšší než 10 Nm (7,5 lbf.ft) u nástrojů s pistolovou rukojetí a vyšší než 60 Nm (44 lbf.ft) u úhlových utahováků.
- Přetažené či nedotažené spojovací prvky mohou mít za následek vážné zranění. Montážní sestavy vyžadující konkrétní utahovací moment musí být zkontrolovány pomocí měřiče momentu. Tak zvané „západkové“ momentové klíče nejsou schopny zjistit potenciálně nebezpečné stavy přetažení. Přetažené či nedotažené spojovací prvky se mohou rozlomit, uvolnit či oddělit. Uvolněné montážní sestavy se mohou změnit na odlétávající předměty.
- Používejte pouze nástavce určené pro nástroj nebo rázové nástavce, a to vždy v dobrém stavu. Nepoužívejte ruční nástavce.
- Při používání elektrických nástrojů může operátor pociťovat mírnou bolest v oblasti rukou, paží, ramen, krku nebo i v jiných částech těla. Měňte během dne vhodné pracovní pozice, vždy stůjte ve stabilním postoji a vyvarujte se nepříjemných a nevyvážených postojů.
- Opakované pracovní pohyby, nepřírozené polohy a působení vibrací mohou být pro ruce a paže škodlivé. Pokud se projeví strnulost, brnění, bolest nebo zbledání kůže, přestaňte nástroj používat a porad'te se s lékařem.
- Při provozu ve stísněných prostorách postupujte obezřetně. Dbejte, aby nemohlo dojít k rozdrčení rukou mezi nástrojem a obrobkem.
- Vysoké hladiny hluku mohou způsobit trvalou ztrátu sluchu. Používejte ochranu sluchu doporučenou vašim zaměstnavatelem nebo předepsanou podle předpisů týkajících se bezpečnosti a ochrany zdraví při práci.
- Dbejte na to, aby byl obrobek řádně upevněn.
- V neznámém pracovním prostředí si počínejte opatrně. Dávejte pozor na potenciální rizika vznikající v důsledku vaší pracovní činnosti. Tento nástroj není izolován pro případ dotyku se zdroji elektrického proudu.

Nástroje používané společně s reakční tyčí: Při používání nástroje nikdy nedávejte ruce do blízkosti reakční tyče. Před spuštěním nástroje zkontrolujte směr otáčení vřetena, protože reakční síla může působit neočekávaným směrem a vytvářet riziko úrazu rozdrčením.

Pro nástroje se spojkou: Nikdy nepoužívejte produkt, aniž byste se ujistili, že spojka vypíná. Ihned po nastavení spojky zkontrolujte její správnou činnost.

⚠ VÝSTRAHA Riziko úrazu

Ujistěte se, že se používá správný soubor s parametry. Použití nesprávného souboru s parametry může mít za následek vyvinutí příliš vysokého momentu a úraz.

- ▶ Porovnejte maximální moment zobrazený v controlleru s maximálním momentem uvedeným v technických údajích nástroje – měly by být shodné.

Všeobecné pokyny

Nástroj smí být používán pouze s připojenou momentovou reakční tyčí, která je přizpůsobena pro příslušnou aplikaci šroubového spoje.

⚠ VÝSTRAHA Nebezpečí rozdrčení



Před spuštěním zkontrolujte směr otáčení nástroje! Spuštění nástroje s neočekávaným směrem otáčení může mít za následek úraz nebo škodu na majetku. Pohyblivé části mohou drtit a řezat.

- ▶ Před spuštěním nástroje zkontrolujte, zda je směr otáčení nástroje správný.
- ▶ Udržujte ruce a prsty v bezpečné vzdálenosti od pohyblivých částí.

Práce s nástrojem

1. Sestavte reakční tyč podle bezpečnostních pokynů popsaných v tomto dokumentu.
2. Nasadte na nástroj vhodný nástavec podle bezpečnostních pokynů popsaných v tomto dokumentu.
3. S použitím tlačítek nastavení (4) a displeje (3) nastavte správný režim.
4. S použitím tlačítka zpětného chodu (6) zvolte správný směr.
5. Nastavte polohu nástroje a reakčního ramena (7) podle bezpečnostních pokynů popsaných v tomto dokumentu.
6. Stiskněte druhou spoušť (1) a držte ji stisknutou.
7. Stiskněte základní spoušť (2) a držte ji stisknutou.
8. Udržujte tlak na spouště (1 a 2) až do konce úkonu.
9. Zkontrolujte stav úkonu podle LED kontrolky hlášení (5). Zelená (OK), červená (NOK, závada)

Baterie

Bateriové zdroje, které nebyly určitou dobu používány, by se měly před použitím nabít.

Při teplotě nad 50°C (122°F) dochází ke snížení výkonu bateriového zdroje. Zabraňte delšímu vystavení nástroje působení tepla nebo slunečního svitu (riziko přehřátí).

Kontaktní plochy nabíječky a bateriových zdrojů musí zůstat čisté.

Pro optimální životnost musí být bateriové zdroje po použití plně nabité. Abyste dosáhli co možná nejdelší životnosti baterie, odeberte bateriový zdroj z nabíječky, jakmile je plně nabitý.

Bateriový zdroj má ochranu proti přetížení, která jej chrání před přetěžováním a pomáhá dosáhnout dlouhé životnosti. Elektronika baterie ji při extrémní zátěži automaticky vypne. Abyste výrobek restartovali, tak jej vypněte a opětovně zapněte. Pokud ten výrobek opětovně nenastartuje, může být bateriový zdroj úplně vybitý. V takovém případě se musí znovu nabít v nabíječce baterií.

Pokyny týkající se údržby

- Pro bezpečnou manipulaci a likvidaci všech částí dodržujte místní ekologické předpisy své země.
- Údržbu a opravy musí provádět kvalifikovaný pracovník, který smí používat pouze originální náhradní díly. Pokud potřebujete rady týkající se technických služeb nebo vyžadujete náhradní díly, kontaktujte výrobce nebo nejbližšího autorizovaného prodejce.
- Vždy se ujistěte, že je stroj odpojen od zdroje energie, aby nedošlo k náhodnému spuštění.
- Pokud se nástroj používá denně, každé 3 měsíce jej rozmontujte a zkontrolujte. Vadné nebo opotřebované díly vyměňte.
- Vždy dbejte na to, aby se brzdová kapalina, benzín, produkty na bázi nafty, penetrační oleje atd. dostaly do kontaktu s plastovými částmi. Chemikálie mohou poškodit, oslabit nebo zničit plast, což by mohlo vést k vážnému poranění osob.
- Při čištění plastových částí nepoužívejte rozpouštědla. Většina plastů je náchylných k poškození různými typy komerčních rozpouštědel a použití může způsobit poškození. K odstranění špíny, prachu, oleje, tuku atd. použijte čistý hadřík.

Likvidace

- Likvidace zařízení musí probíhat v souladu se zákonnými normami dané země.
- Veškerá poškozená, výrazně opotřebovaná a nepravěně fungující zařízení **JE NUTNO VYŘADIT Z PROVOZU.**

Označení a nálepky

Produkt je opatřen značkami a štítky s důležitými informacemi o osobní bezpečnosti a údržbě produktu. Tyto značky a štítky musí být neustále snadno čitelné. Nové značky a štítky je možné si objednat pomocí seznamu náhradních dílů.



s011050

Symboly

	Dříve než začnete na stroji provádět jakékoli práce, vyjměte sadu baterií.
	Dříve než začnete se strojem pracovat, přečtěte si prosím pozorně pokyny.
	Elektrické nástroje nikdy nelikvidujte společně s domácím odpadem. Elektrické nástroje a elektronické zařízení, které dospělo ke konci životnosti, musí být shromážděno samostatně a odevzdáno do recyklačního zařízení slučitelného s ochranou životního prostředí. Rady týkající se recyklace a míst pro odevzdání vám poskytnou místní úřady.
	Při používání stroje vždy noste ochranné brýle.
n_0	Žádná zatěžová rychlost
V	volty
min^{-1}	za minutu
	Stejnosměrný proud
	VAROVÁNÍ! VÝSTRAHA! NEBEZPEČÍ!

Užitečné informace

Webová stránka

Informace týkající se našich produktů, příslušenství, náhradních dílů a publikovaných dokumentů naleznete na webových stránkách společnosti Chicago Pneumatic.

Navštivte: www.cp.com.

Země původu

HUNGARY

Bezpečnostní list

Bezpečnostní listy popisují chemické produkty, které prodává společnost Chicago Pneumatic.

Více informací získáte na webových stránkách společnosti Chicago Pneumatic na adrese qr.cp.com/sds.

Copyright

© 2022, CHICAGO PNEUMATIC Tool Co.LLC, 1815 Clubhouse Road, Rock Hill, SC 29730 - USA

Všechna práva vyhrazena. Veškeré neautorizované použití a kopírování obsahu nebo jeho částí je zakázáno. To platí zejména o obchodních známkách, označeních modelu, číslech součástek a výkresech. Používejte pouze schválené náhradní díly. Jakékoliv škody nebo závady způsobené použitím neschválených dílů nejsou kryty Zárukou ani Odpovědností za produkt.

Műszaki adatok

A termék leírása

kérjük, nézze meg az illusztrációt 2: A termék leírása

- 1 Második indítókapcsoló
- 2 Fő indítókapcsoló
- 3 Kijelző képernyő
- 4 Beállító gombok
- 5 Jelentő LED-ek
- 6 Irányváltó gomb
- 7 S alakú reakciókar (a szerszámmal együtt szállítva)

Nyilatkozatok

EU MEGFELELŐSÉGI NYILATKOZAT

Mi, az **CHICAGO PNEUMATIC Tool Co.LLC**, 1815 Clubhouse Road, Rock Hill, SC 29730 - USA, kizárólagos felelősségünk tudatában kijelentjük, hogy a termék (a típust és termékszámot lásd az első oldalon) megfelel a következő irányelv(ek)nek:

2006/42/EC; 2011/65/UE; 2014/53/UE

Alkalmazott harmonizált szabványok: EN 62841-2-2:2014 + AC1:2015; EN 55014-1:2017+11:2020; EN 55014-2:2015; EN 61000-6-2:2019; EN 61000-6-3:2007 + A1:2011; EN 300328V222; EN 301489-17V324; EN 301489-1V223; EN 62311:2008; EN 62479:2010

A hatóságok kérhetik a vonatkozó műszaki információkat: Pascal Roussy, R&D Manager, Ets Georges Renault, 38 rue Bobby Sands, BP10273 44818 Saint Herblain, France

Saint-Herblain, 2022/01/26

Pascal ROUSSY

A kiadó aláírása

Nyilatkozat zaj- és rezgés kibocsátásról

- Hangnyomásszint < 72dB(A), bizonytalanság 3 dB(A), a EN 62841-2-2:2015 előírásnak megfelelően.
- Hangerőszint < 83 dB(A), bizonytalanság 3 dB(A), a EN 62841-2-2:2015 előírásainak megfelelően.
- Vibráció teljes értéke: < 2.5 m/s², bizonytalanság: 3 m/s², a EN 62841-2-2:2015 előírásainak megfelelően.

Ezen kinyilatkoztatott értékeket laboratóriumi típusvizsgálattal nyertük a megjelölt szabványokkal összhangban, és ezen értékek alkalmasak az összehasonlításra az egyéb olyan szerszámok kinyilatkoztatott értékeivel, amelyeket ugyanazon szabványok szerint vizsgáltak. Ezen kinyilatkoztatott értékek nem alkalmasak kockázatfelmérések céljaira, az egyedi munkahelyeken mért értékek magasabbak lehetnek. A tényleges terhelési értékek és az adott használatot érő sérülési kockázat egyedi mértékű, és függ attól, hogy a használat

hogyan dolgozik, továbbá függ a munkadarabtól, a munkaálomlás tervezésétől, valamint az igénybevételnek való kitettség időtartamától és a használó fizikai állapotától.

A CHICAGO PNEUMATIC Tool Co.LLC nem vállal felelősséget a névleges értékek figyelembe vételéhez a valós kitettségi értékekkel szemben olyan egyedi munkahelyi szituációkra vonatkozóan, amelyeknek feltételeit nem áll módunkban befolyásolni.

Ez a szerszámgép - ha használatát nem megfelelően ütemezik - kéz-kar vibrációs (HAVS) szindrómát okozhat. A kéziszerszámok által okozott rezgésekre vonatkozó EU útmutató a <http://www.pneuop.eu/index.php> helyen, a 'Tools' (Eszközök), majd 'Legislation' (Törvények) menüpont választásával érhető el.

Egészségfelmérési programot ajánlunk az olyan korai tünetek felismerésére, amelyek kapcsolatban állhatnak a rezgési terheléssel, hogy az eljárásokat módosítani lehessen a helyzet további romlásának megakadályozására.

- i** A berendezést rögzítési eljárásokhoz terveztük: A megadott zajkibocsátási szint a gépgyártó tájékoztatására szolgál. A teljes gépberendezés zaj- és rezgés-kibocsátási adatait keresse a gép használati útmutatójában.

Vezeték nélküli kommunikáció specifikációi

BLUETOOTH LOW ENERGY 4.2®

Frekvencia: 2400 MHz – 2483,5 MHz

EIRP: <10 dBm

A Bluetooth® szóvédjegy és a logók a Bluetooth SIG, Inc. bejegyzett védjegyei

Regionális követelmények

▲ FIGYELEM

A termék különböző vegyi anyagoknak, például ólomnak való kitettséget okozhat, az ólomot pedig Kalifornia állam hatóságai a rákkeltő, születési rendellenességeket vagy más szaporodási ártalmakat okozó anyagok közé sorolták. További tudnivalóért lásd

<https://www.p65warnings.ca.gov/>

Biztonság

NE DOBJA EL – ADJA ÁT A FELHASZNÁLÓNAK!

▲ FIGYELEM Olvassa el a termékre vonatkozó összes biztonsági előírást, útmutatót, illusztrációt és műszaki adatokat.

Az alábbiakban felsorolt utasítások be nem tartása áramütést, tüzet anyagi kárt és/vagy súlyos sérülést okozhat.

Olvassa el és a jövőben is tartsa be az összes figyelmeztetést és utasítást.

▲ FIGYELEM Minden körülmények között tartsa be a felszerelésekre, üzemeltetésre és karbantartásra vonatkozó, a törvény szerint érvényben lévő helyi biztonsági szabályokat.

Használatra vonatkozó nyilatkozat

- Kizárólag professzionális felhasználásra.
- A terméket és tartozékait semmilyen módon nem szabad módosítani.
- Ne használja a terméket, ha sérült.
- Ha a termék adatai vagy az előírt sebességre vonatkozó vagy veszélyre figyelmeztető címkék a terméken nem olvashatók vagy leváltak, a lehető leghamarabb tegyen fel újakat.
- A termék üzembe helyezését, üzemeltetését és szervizelését kizárólag szakképzett személy végezheti ipari környezetben.

Rendeltetésszerű használat

A terméket csak olyan felnőtt személyek használhatják, akik elolvasták és megértették a kézikönyv előírásait és figyelmeztetéseit, és felelősek tevékenységeikért.

- Ezt a terméket metes csavarok fába, fémbe vagy műanyagba való beszereléséhez és eltávolításához tervezték.
- Kizárólag beltéri használatra alkalmas.
- Ne használja a terméket a fenti leírástól eltérő célra.
- Más jellegű használata nem megengedett.

Ajánlott akkumulátorok

8940176068: CP36XP25

Ajánlott töltő

8940176069: CP18-36CH

Ajánlott reakciókár

Használja a szerszámmal együtt szállított reakciókár (7). Más modellekkel kapcsolatban a 6159923710 hivatkozási számú reakciós rúd dokumentumra utalva

Szerszámgépekre vonatkozó általános biztonsági figyelmeztetések

▲ FIGYELEM Olvassa el a termékre vonatkozó összes biztonsági előírást, útmutatót, illusztrációt és műszaki adatokat.

Az alábbiakban felsorolt utasítások be nem tartása áramütést, tüzet anyagi kárt és/vagy súlyos sérülést okozhat.

Olvassa el és a jövőben is tartsa be az összes figyelmeztetést és utasítást.

A figyelmeztetésekben szereplő „szerszámgép” kifejezés a hálózati áramról működtetett (tápkábelrel rendelkező) vagy az akkumulátorral működtetett (tápkábel nélküli) szerszámgépekre vonatkozik.

A munkaterület biztonsága

- **Tartsa tisztán a munkaterületet és biztosítson jó megvilágítást.** A telezsűfolt, vagy sötét helyek balesetveszélyesek lehetnek.

- Ne működtesse a szerszámgépeket robbanékony környezetben és gyúlékony vegyi anyagok, -gázok vagy -por közelében. A szerszámgépek működés közben szikrát képezhetnek, ami tüzet idézhet elő.

- Gyermekeket és illetéktelen személyeket tartsa távol a működő szerszámgéptől. Ha elvonják figyelmét, elveszítheti a szerszámgép fölötti uralmat.

Elektromos biztonság

- A szerszámgépek csatlakozódugói találnak a fali aljzatokhoz. Soha, semmilyen formában ne módosítsa a dugaszt. Ne használjon elosztókat földelt (testelt) szerszámgépekkel. A nem módosított csatlakozódugaszok és a megfelelő hálózati csatlakozók csökkentik az áramütés veszélyét.
- Kerülje az érintkezést a testelt vagy földelt felületekkel, például a csövekkel, radiátorokkal, tűzhelyekkel és fagyasztokkal. Az elektromos áramütés veszélye fokozottan magas, ha teste földelve van.
- Ne tegye ki az elektromos szerszámgépeket esőnek vagy nedvességnek. Ha a szerszámgépbe víz jut, megnövekedik az áramütés veszélye.
- Ne használja más célra a készülék kábelét. Ne próbálja a készüléket a kábeltől húzni, szállítani vagy leválasztani a hálózati csatlakozóról. A kábelt tartsa távol a melegtől, olajtól, éles szélektől vagy mozgó alkatrészekről. A sérült, vagy összezsavarodott vezetékek növelik az elektromos áramütés kockázatát.
- Ha a szerszámgépet szabad ég alatt működteti, használjon kinti használatra alkalmas hosszabbítót. Az ilyen hosszabbító csökkenti az áramütés-veszélyt.
- Ha elkerülhetetlen, hogy a szerszámgépet nyirkos helyiségben működtesse, használjon maradékáramvédelemmel ellátott tápegységet (RDC). Az RCD használata csökkenti az áramütés veszélyét.

Személyes biztonság

- Legyen fokozottan éber és hagyatkozzon józan észére, amikor a szerszámgépet működteti. Ne használja a szerszámgépet, ha fáradt, és ha alkohol vagy gyógyszer hatása alatt van. Egy pillanatnyi figyelmetlenség a működtetés közben súlyos személyi sérülést okozhat.
- Használjon védőfelszerelést. Mindig viseljen védőszemüveget. A maszkok, csúszásbiztos lábbelik, védősisakok és hallásvédelmi eszközök megfelelő körülmények közötti használata nagymértékben csökkentik a személyi sérülések kockázatát.
- Ügyeljen, hogy a szerszámgép véletlenszerűen ne hagy elinduljon. A kapcsolót állítsa kikapcsolt helyzetbe mielőtt a tápforráshoz és/vagy az akkumulátorhoz csatlakoztatná, vagy felemelné és hordozná a berendezést. Ha a szerszámgép hordozása közben ujjai a kapcsolón vannak, vagy ha áram alá helyezi a szerszámgépet miközben a kapcsoló bekapcsolt helyzetben van, ez balesetet okozhat.
- Távolítsa el minden szabályozócsavart vagy kulcsot, mielőtt a szerszámgépet bekapcsolná. Ha a forgórészhez csatlakozó kulcsot vagy csavarkulcsot ott hagyja, ez személyes sérülést okozhat.

- Ne nyúljon át fölötte. Mindig támassza meg biztonságosan lábait, és vigyázzon egyensúlyára. Stabil testhelyzetben jobban kezelni tudja a szerszámgépet váratlan helyzetekben.
- Viseljen megfelelő ruházatot. Ne viseljen ékszereket vagy bő ruházatot. Tartsa távol a haját és ruházatát a mozgó alkatrészekről. A bő ruhák, ékszerek vagy hosszú haj beakadhat a mozgó részekbe.
- Ha van por kivonását és begyűjtését végző eszköz, biztosítsa azok megfelelő csatlakoztatását és használatát. A por begyűjtése csökkentheti a porhoz kapcsolódó veszélyeket.
- A szerszámgépre vonatkozó biztonsági alapelvek betartására akkor is figyeljen oda, amikor már a hosszabb idejű használat miatt megszokássá vált azok működtetése, és otthonosan bántik velük. Egy figyelmetlen mozdulat vagy művelet egyetlen másodperc töredéke alatt is súlyos személyi sérülést okozhat.
- Az elektromos szerszámgépet a szigetelt markolófelületen fogja meg, amikor olyan munkát végez, ahol a kötőelem nem látható vezetékhez érhet hozzá. Ha a szorító hozzáér egy "áram alatt lévő" vezetékhez, a szerszámgép "áram alá" kerülhet és a gépkezelő áramütést szenvedhet.

A szerszámgép használata és karbantartása

- Ne erőltesse túl a szerszámgépet. Használja a célnak megfelelő szerszámgépet. A megfelelő szerszámgéppel jobban és biztonságosabban végezheti el a munkát.
- Ne használja a szerszámgépet, ha a kapcsoló nem működik. A meghibásodott kapcsolóval rendelkező szerszámgép használata veszélyes és azonnali javításra szorul.
- A szerszámgép javítása, tartozékok cseréje vagy módosítása, illetve a gép tárolása előtt húzza ki a szerszám csatlakozóját az aljzattól és/vagy vegye ki az akkumulátort, ha kivehető. Ezekkel az óvintézkedésekkel megakadályozhatja a szerszámgép véletlen bekapcsolását.
- Tárolja a nem használt szerszámgépeket a gyermekektől távol és ne engedje, hogy azt a használatát és az utasításokat nem ismerő személyek használhassák. A szerszámgépek megfelelő képzettség nélküli használata veszélyes.
- Szerszámok és tartozékok felszerelése Ellenőrizze a mozgó részek beállítását és rögzítését, a részek törésmentességét és minden olyan állapotot, amely befolyásolhatja a szerszám működését. Ha sérült, a szerszámot használat előtt javíttassa meg. Számos balesetet a nem megfelelően karbantartott szerszámgépek okozzák.
- Tartsa a vágóeszközöket élesen és tisztán. A megfelelően karbantartott, élezett vágószerszám éle kevésbé hajlik el és pontosabban irányítható.
- Használja a szerszámgépet, tartozékokat és szerszámhegyeket az útmutatásnak megfelelően, figyelembe véve a munkakörülményeket és az elvégzendő munkát. A szerszámgépek nem rendeltetésszerű munkára való használata veszélyes helyzetet eredményezhet.

- **Tartsa szárazon, tisztán és olajtól és zsírtól mentesen a fogantyúkat és markolatokat.** Csúszós fogantyúkkal és markolatokkal a szerszám gép nem tartható biztonságosan kézben és váratlan helyzetekben nehezebben kezelhető.

Az elem használata és karbantartása

- **Az elemet csak a gyártó által megadott töltővel töltsse.** Az egy bizonyos akkumulátorcsomag töltésére alkalmas töltő egy másik típusú akkumulátor töltésekor tüzet okozhat.
- **A szerszám gépet csak a megadott akkumulátorral használja.** Az előírástól eltérő akkumulátorok használata sérülés- és tűzveszélyes lehet.
- **Ha az elemeket nem használja, tartsa távol azokat fémtárgyaktól, papírkapsoktól, érméktől, kulcsoktól, tűktől, csavaroktól és minden olyan kisebb vezető fémtárgytól, amely az elem pólusait összekapcsolhatja.** Ha az akkumulátor pólusait rövidre zárja, ez tűzveszélyes lehet.
- **Szélsőséges körülmények között az akkumulátorból folyadék folyhat ki; kerülje az akkumulátorral való érintkezést. Ha véletlenül hozzáér a folyadékhoz, bőséges vízzel azonnal mossa le. Ha a folyadék a szembe kerül, forduljon orvoshoz.** Az akkumulátorból szivárgó folyadék bőrirritációt vagy felületi égést okozhat.
- **Ne használja az akkumulátort vagy a szerszámot, ha sérült, vagy módosították.** A sérült vagy módosított akkumulátorok kiszámíthatatlan működése tűz- és robbanásveszéllyel járhat, vagy személyi sérülést okozhat.
- **Ne tegye ki az akkumulátort vagy a szerszámot tűznek és magas hőmérsékletnek.** A tűz és a 130 °C-nál magasabb hőmérséklet robbanást okozhat.
- **Tartsa be a töltésre vonatkozó utasításokat és ne töltsse az akkumulátort vagy a szerszámot az utasításokban megadottól eltérő környezeti hőmérsékleten.** A nem megfelelő töltés, vagy a külső hőmérséklet figyelmen kívül hagyása az akkumulátor károsodását okozhatja és tűzveszéllyel járhat.

Szerviz

- **A szerszám gépet kizárólag szakképzett szerelő szervizelheti, eredeti cserealkatrészek használatával.** Ezáltal biztosítható a szerszám gép biztonságos használata.
- **Ne javítsa a sérült akkumulátort.** Az akkumulátor szervizelését kizárólag a hivatalos márkaszervíz vagy szak-szervíz végezheti.

Termékspecifikus utasítások

Figyelem!

A rövidzárlat miatt bekövetkező tűzveszély, személyi sérülés és termék sérülés kockázatának csökkentése érdekében soha ne merítse a szerszámot, az akkumulátor csomagot vagy a töltőt folyadékba, és soha ne engedje, hogy folyadék kerüljön ezekbe. A korrozív vagy vezető folyadékok, például tengervíz, bizonyos ipari vegyszerek és fehérítők vagy fehérítőt tartalmazó termékek, stb., rövidzárlatot okozhatnak.

Speciális óvintézkedések

- A gépet kizárólag a hozzá tartozó torziós rúddal szabad használni, melyet a szóban forgó csavaros csatlakozóhoz kell erősíteni.
- Használjon kétfunkciós indítót, amely biztonságosabb kezelést tesz lehetővé, csökkentve annak veszélyét, hogy a gépkezelő ujjá vagy keze a torziós rúd és a munkadarab közé szoruljon.

Általános információ a biztonságos üzembe helyezésről

A berendezés telepítését kizárólag arra jogosult szakember végezheti.

Függeszse fel a szerszámot biztonságosan, például emelő használatával. Ha felfogatóbilincset használ, vigyázzon arra, hogy az legyen jó állapotban és megfelelően rögzítve.

A rendszert kizárólag földelt csatlakozóhoz csatlakoztassa. A szerszám gép tápkábelének csatlakoztatása vagy leválasztása előtt húzza ki a vezérlő tápkábelét az elektromos hálózatról.

Speciális óvintézkedések

FIGYELEM Zúzóadásveszély

A kétfunkciós indító arra kényszeríti a kezelőt, hogy az eszköz működtetéséhez mindkét kezét használja. Ha nincs használatban, akkor a kezelő véletlenül elindíthatja az eszközt a torziós rúd beállítása közben, ami súlyos kézsérülést okozhat.

- ▶ Biztosítsa, hogy az eszközt ne lehessen elindítani, amikor a kétfunkciós indító ki van oldva.
- ▶ Mindig próbálja ki az eszközt úgy, hogy először a kétfunkciós indítót kioldja, majd az eszköz kioldógombját megnyomja. Ha az eszköz elindul, állítsa le a működését.

Általános információ a biztonságos üzemeltetésről

- **A beakadásveszély miatt ne viseljen kesztyűt.**
- **A szerszám használata közben készüljön fel a reakcióerőre.** A szerszám markolatát mindig erősen kell fogni, ellentartva a forgórész forgási irányával ellenkező irányban, ezáltal csökkentve a végső meghúzás vagy a meglazítás hirtelen nyomatékreakciójának hatását.
- **Soha ne a fejet, a foglalatot vagy a bővítményt tartsa.**
- **A kezelőnek és a karbantartónak képesnek kell lennie a szerszám kezelésére, tekintetbe véve annak méreteit, súlyát és teljesítményét.**
- **Ha lehetséges használjon egy felfüggesztő kart, hogy csökkentse a visszaható nyomatékot. Ha a felfüggesztő kar használata nem lehetséges, javasolt oldalsó markolatokat alkalmazni az egyenes házú és pisztolyfogantyús szerszámoknál; sarok-csavarbeható gépeknél visszahatás elleni rudak alkalmazandók.** Javasolt alkalmazni valamilyen nyomatékcsoökkentő módszert, ha a visszaható nyomaték egyenes házú szerszámoknál 4 Nm-nél (3 lbf.ft), pisztolyfogantyús szerszámoknál 10 Nm-nél (7,5 lbf.ft) vagy sarok-csavarbeható gépeknél 60 Nm-nél (44 lbf.ft) nagyobb.

- **Az alulhúzott vagy túlhúzott kötőelemek súlyos sérülést okozhatnak.** Az előírt nyomatékú csatlakozó-darabok nyomatékát nyomatékmérővel kell ellenőrizni. Az úgynevezett „kattanós” nyomatékkulcsokkal nem lehet megállapítani egy esetleges túlhúzást, ami veszélyes lehet. A túlhúzott és alulhúzott kötőelemek törhetnek, kilazulhatnak és leválhatnak. A kilazult szerelevények nagy sebességgel lerepülhetnek.
- **Csak jó állapotú, szerszámgépekhez vagy ütőszerszámokhoz való foglalatokat szabad használni.** Ne használjon kéziszerszámokhoz való foglalatokat.
- **Amikor szerszámgépet használ, a gépkezelő kényelmetlenséget érezhet karjában, kezében, vállában, nyakában vagy más testrészein.** Váltoгasson a megfelelő testhelyzetek között a munkanap során, biztos lábtartással, elkerülve a kényelmetlen vagy nem egyensúlyban lévő testhelyzetet.
- **Az ismétlődő mozdulatok, a célszerűtlen testhelyzetek és a vibráció káros lehet a kezekre és a karokra.** Hagyja abba a szerszám használatát és forduljon orvoshoz, ha zsibbadás, viszketés, fájdalom vagy a bőr elfehéredése lép fel!
- **Legyen óvatos, amikor szűk helyen használja.** Vigyáznia kell a szerszám és a munkadarab közé kerülő kéz sérülésére.
- **A nagy zajszint tartós halláskárosodást okozhat.** Használjon zajvédelmi eszközöket a munkáltató előírásai, illetve a munkaegészségügyi vagy munkabiztonsági előírások szerint.
- **Rögzítse biztonságosan a munkadarabot.**
- **Ismeretlen környezetben óvatosan mozogjon.** Legyen tudatában a munkavégzés során keletkező potenciális veszélyeknek! Ez a szerszám nem rendelkezik elektromos áramforrásokkal történő érintkezéshez elektromos szigeteléssel.

Torziós rúddal együtt használt szerszámok: A szerszám használata közben soha ne helyezze kezét a reakciós rúd közelébe. Kérjük, a szerszám bekapcsolása előtt tanulmányozza a tengely forgásirányát, ugyanis a reakcióerő váratlan irányban hathat, ami zúzódási veszélyt jelent.

Kuplunggal rendelkező szerszámok: A termék használata előtt ellenőrizze a kuplung kiengedését. A kuplungbeállítás után azonnal ellenőrizni kell, hogy jól működik-e.

FIGYELEM Sérülésveszély

Ügyeljen arra, hogy helyes paraméterfájlt alkalmazzon. A hibás paraméterfájl túl magas nyomatékot, ebből adódóan pedig személyi sérülést okozhat.

- ▶ Hasonlítsa össze a vezérlőegységen szereplő maximális nyomást a szerszám műszaki adatai között feltüntetett maximális nyomatékkal, amelyeknek megegyezőeknek kell lenniük.

Általános utasítások

A szerszámgépet kizárólag a társított torziós reakciós rúddal szabad használni, melyet a szóban forgó csavaros csatlakozóhoz kell erősíteni.

FIGYELEM Zúzódásveszély



Ellenőrizze a szerszám forgási irányát, mielőtt elindítaná! A szerszám gép hirtelen elindulása a nem várt forgási irányban súlyos személyi sérülést és anyagi kárt okozhat. Sérülésveszély a mozgó alkatrészeknél.

- ▶ Mielőtt a szerszámgépet elindítaná, ellenőrizze a szerszám gép forgási irányának beállítását.
- ▶ Tartsa távol a kezét és ujjait a mozgó alkatrészekről.

A szerszám gép működtetése

1. Szerelje össze a reakciós rudat az ebben a dokumentumban leírt biztonsági utasításokat követve.
2. A szerszámra helyezzen megfelelő dugókulcsot az ebben a dokumentumban leírt biztonsági utasításokat követve.
3. Állítsa be a megfelelő üzemmódot a beállítási gombok (4) és a kijelző képernyő (3) segítségével.
4. Válassza ki a megfelelő irányt az irányváltó gomb (6) segítségével.
5. Helyezze el a szerszámot és a reakciókart (7) az ebben a dokumentumban leírt biztonsági utasításokat követve.
6. Nyomja meg és tartsa nyomva a második indítókapcsolót (1).
7. Nyomja meg és tartsa nyomva a fő indítókapcsolót (2).
8. Tartsa meg az indítókapcsoló nyomását (1 & 2) a működés végéig.
9. Ellenőrizze a működési állapotot a jelentési LED-eken (5) Zöld (Ok), Piros (Not Ok)

Akkumulátor

Azokat az akkumulátor csomagokat, melyeket hosszabb ideig nem használt, használat előtt cserélje ki. Az 50°C - ot (122°F) meghaladó hőmérséklet csökkenti az akkumulátor csomagok teljesítményét. Ne tegye ki túlzott hőnek vagy napfénynek (túlmelegedés kockázata). A töltők és az akkumulátor csomagok érintkezőit tartsa tisztán.

Az optimális élettartam érdekében az akkumulátor csomagokat használat után teljesen töltsen fel. A lehető leghosszabb akkumulátor élettartam érdekében távolítsa el az akkumulátor csomagot a töltőből, ha teljesen feltöltődött.

Az akkumulátor csomag túltöltés elleni védelemmel rendelkezik, ami megvédi a túltöltéstől és meghosszabbítja az üzemelettartamot. Etrém hatásnak kitéve az akkumulátor elektronikája automatikusan lekapcsolja a terméket. Újraindításhoz kapcsolja le a terméket, majd kapcsolja be újra. Ha a termék nem indul újra, az akkumulátor csomag valószínűleg teljesen lemerült. Ebben az esetben töltsen fel akkumulátor töltővel.

Karbantartási útmutató

- Valamennyi alkotóelem esetében tartsa be az adott ország munkavédelmi és környezetvédelmi rendelkezéseit.
- A karbantartási és javítási beavatkozást csak szakképzett személyek végezhetik eredeti cserealkatrésszel. Műszaki segítségért vagy cserealkatrész-igény esetén forduljon a gyártóhoz vagy a legközelebbi forgalmazóhoz.
- A véletlen bekapcsolás elkerülése érdekében mindig győződjön meg arról, hogy a gép le van választva az áramforrásról.
- Napi használat esetén 3 havonta szerelje szét és ellenőrizze a szerszámot. Cserélje ki a sérült vagy kopott alkatrészeket.
- Ne engedje, hogy a fékfolyadékok, a benzin, a kőolaj alapú termékek, a beható olajok stb. érintkezzenek a műanyag részekkel. A vegyi anyagok károsíthatják, gyengíthetik vagy tönkretesznek a műanyagot, ami súlyos személyi sérülést okozhat.
- Kerülje a műanyag alkatrészek tisztításakor oldószerek használatát. A legtöbb műanyag hajlamos a különböző típusú kereskedelmi oldószerek hatására történő károsodásra, és használatuk során károsodhatnak. A szennyeződés, por, olaj, zsír eltávolításához használjon tisztítórongyot.

Hulladékkénti elhelyezés

- A készülék hulladékba helyezése során be kell tartani az adott ország jogszabályait.
- Ha a készülék sérült, erősen elhasználódott vagy nem megfelelően működik, **FELTÉTLENÜL VONJA KI A HASZNÁLATBÓL.**

Jelek és matricák

A gép jelölésekkel és matricákkal van ellátva, melyek fontos információkat tartalmaznak a személyi biztonságra és a termék karbantartására vonatkozóan. A jelölések és matricák mindig jól olvashatók legyenek. Új jelek és matricák a tartalék alkatrészek listájáról rendelhetők.



s011050

Szimbólumok



A gépen végzett bármilyen beavatkozás előtt távolítsa el az akkumulátor csomagot.



A gép indítása előtt olvassa el körültekintően az előírásokat.



Az elektromos szerszámokat ne ártalmatlanítsa háztartási hulladékokkal együtt. Azokat az elektromos szerszámokat és elektronikus rendszert, melyeknek élettartama lejárt, elkülönítve kell gyűjteni és környezetbarát újrafeldolgozó létesítménybe kell juttatni. Újrahasznosítással és gyűjtőhelyekkel kapcsolatosan lépjen kapcsolatba a helyi hatósággal.



A gép használata közben mindig viseljen védőszemüveget.

n₀

Nincs terhelési sebeség.

V

volt

min⁻¹

percenként



Egyenáram



VIGYÁZAT! FIGYELMEZTETÉS!
VESZÉLY!

Hasznos információk

Weboldal

A termékekre, a tartozékokra és a cserealkatrészekre, valamint a kiadványainkra vonatkozó információk a(z) Chicago Pneumatic weboldalán találhatóak.

Látogasson el a következő címre: www.cp.com.

Származási ország

HUNGARY

Biztonsági adatlap

A Chicago Pneumatic által értékesített kémiai termékeket a biztonsági adatlapok írják le.

További információkért, kérjük, tekintse meg a Chicago Pneumatic honlapját: qr.cp.com/sds.

Copyright

© Szerzői jog 2022, CHICAGO PNEUMATIC Tool Co.LLC, 1815 Clubhouse Road, Rock Hill, SC 29730 - USA

Minden jog fenntartva. A tartalom vagy annak bármely részének jogosulatlan használata vagy másolása tilos. Ez különösképpen vonatkozik a védjegyekre, a modellek megnevezéseire, az alkatrészsorszámokra és a rajzokra. Kizárólag engedélyezett alkatrészeket használjon. A nem engedélyezett alkatrészek használatából eredő bármilyen meghibásodásra vagy károsodásra a Jótállás és Termékfelelősség feltételei nem vonatkoznak.

Tehnični podatki

Opis izdelka

Prosim glejte ilustracijo 2: Opis izdelka

- 1 Drugi sprožilec
- 2 Glavni sprožilec
- 3 Prikazovalnik
- 4 Gumbi z nastavitvami
- 5 Lučke LED za poročanje
- 6 Gumb za vzvratni tek
- 7 Reakcijska ročica tipa s (dostavljeno z orodjem)

Izjave

EU IZJAVA O SKLADNOSTI

V družbi **CHICAGO PNEUMATIC Tool Co.LLC**, 1815 Clubhouse Road, Rock Hill, SC 29730 - USA, na izključno lastno odgovornost izjavljamo, da je izdelek (z imenom, tipom in serijsko številko z naslovnice) skladen z naslednjimi direktivami:

2006/42/EC; 2011/65/UE; 2014/53/UE

Uporabljeni usklajeni standardi: EN 62841-2-2:2014 + AC1:2015; EN 55014-1:2017+11:2020; EN 55014-2:2015; EN 61000-6-2:2019; EN 61000-6-3:2007 + A1:2011; EN 300328V222; EN 301489-17V324; EN 301489-1V223; EN 62311:2008; EN 62479:2010

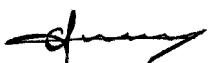
Pristojni organ lahko zaprosi za pridobitev potrebnih tehničnih podatkov pri:

Pascal Roussy, R&D Manager, Ets Georges Renault, 38 rue Bobby Sands, BP10273 44818 Saint Herblain, France

Saint-Herblain, 2022/01/26

Pascal ROUSSY

Podpis izdajatelja



Deklaracija o hrupu in vibracijah

- Raven zvočnega tlaka < 72 dB(A) , negotovost 3 dB(A), v skladu s standardom EN 62841-2-2:2015.
- Raven zvočnega tlaka < 83 dB(A) , negotovost 3 dB(A), v skladu s standardom EN 62841-2-2:2015.
- Skupna vrednost vibracij < 2.5 m/s², uncertainty 3 m/s², v skladu s standardom EN 62841-2-2:2015.

Te deklarirane vrednosti so bile pridobljene z laboratorijskimi preskusi tipa, opravljenimi v skladu z navedenimi standardi, in so primerljive z deklariranimi vrednostmi drugih orodij, testiranih v skladu z istimi standardi. Te deklarirane vrednosti niso primerne za uporabo pri oceni tveganj. Vrednosti, izmerjene na posameznem delovnem mestu, so lahko tudi višje. Dejanske vrednosti izpostavljenosti in tveganja za posameznega uporabnika so edinstvena in odvisna od načina dela uporabnika, obdelovanca in ureditve delovne postaje, ter tudi od časa izpostavljenosti in fizične pripravljenosti uporabnika.

Družba **CHICAGO PNEUMATIC Tool Co.LLC** ne more odgovarjati za posledice uporabe navedenih vrednosti namesto vrednosti, ki odražajo dejansko izpostavljenost pri individualni oceni tveganja na delovnem mestu, nad katerim ta družba nima nobenega nadzora.

Če uporabe tega orodja ne vodite na ustrezen način, lahko povzroči sindrom vibracij v rokah in zgornjih udih. EU navodila za vodenje vibracij roke lahko najdete, če dostopite do <http://www.pneurop.eu/index.php> in izberete "Tools" (orodja) nato pa še "Legislation" (zakonodaja).

Priporočamo program zdravstvenega nadzora za zgodnje odkrivanje simptomov, povezanih z izpostavljenostjo vibracijam, da se lahko z ustreznimi organizacijskimi ukrepi preprečijo nadaljnje poškodbe.

- ⓘ Če je ta oprema namenjena za pritrditev na stroj: Emisija hrupa je podana kot vodilo proizvajalcu stroja. Podatki o emisiji hrupa in tresljajev za celoten stroj morajo biti navedeni v priročniku z navodili za uporabo stroja.

Specifikacije za brezžično komunikacijo

BLUETOOTH LOW ENERGY 4.2®

Frekvenca: 2400 MHz - 2483,5 MHz

EIRP: <10 dBm

Beseda, oznaka in logotipi Bluetooth® so registrirane blagovne znamke v lasti družbe Bluetooth SIG, Inc.

lokalne zahteve

⚠ OPOZORILO

Ta izdelek vas lahko izpostavi kanikalijam, vključno s svincem, ki po vedenju države Kalifornije povzroča raka in okvare ob rojstvu oz. druge reproduktivne težave. Za več informacij obiščite

<https://www.p65warnings.ca.gov/>

Varnost

NE ZAVRZITE – POSREDUJTE UPORABNIKU

⚠ OPOZORILO Preberite vsa varnostna opozorila, navodila, ilustracije in specifikacije, ki jih prejmete z izdelkom.

Če navodil, ki so navedena spodaj, ne upoštevate, lahko pride do električnega udara, požara, škode na lastnini in/ali hudih poškodb.

Vsa opozorila in navodila shranite za prihodnjo uporabo.

⚠ OPOZORILO Vedno je treba upoštevati vsa varnostna pravila za namestitvev, uporabo in vzdrževanje, ki so skladna z lokalno zakonodajo.

Izjava o uporabi

- Samo za profesionalno uporabo.
- Tega izdelka in njegovih dodatkov ni dovoljeno spreminjati na noben način.
- Če je izdelek poškodovan, ga ne uporabljajte.
- Če postanejo oznake s podatki o izdelku ali opozorila na nevarnosti, ki so na izdelku, neberljivi ali odpadejo, jih morate takoj zamenjati.
- Izdelek lahko nameščajo, upravljajo in servisirajo samo osebe, usposobljene za tako delo v industrijskem okolju.

Predvidena uporaba

Izdelek lahko uporabljajo samo odrasle osebe, ki so prebrale in razumejo napotke in opozorila v teh navodilih za uporabo, in ki so odgovorne za svoja dejanja.

- Ta izdelek je namenjen za namestitvev in odstranitvev navojnih pritrdilnih elementov v lesu, kovini ali plastiki.
- Samo za notranjo uporabo.
- Izdelka ne uporabljajte za noben drug namen, različen od opisanega zgoraj.
- Druge uporabe niso dovoljene

Priporočene baterije

8940176068: CP36XP25

Priporočeni polnilec

8940176069: CP18-36CH

Priporočena reakcijska ročica

Uporabite reakcijsko ročico (7), dostavljeno z orodjem. Za druge modele pogledajte v dokument o reakcijskih ročicah, s sklicno številko 6159923710

Splošna opozorila glede varnosti pri električnem orodju

⚠ OPOZORILO Preberite vsa varnostna opozorila, navodila, ilustracije in specifikacije, ki jih prejmete z izdelkom.

Če navodil, ki so navedena spodaj, ne upoštevate, lahko pride do električnega udara, požara, škode na lastnini in/ali hudih poškodb.

Vsa opozorila in navodila shranite za prihodnjo uporabo.

Izraz "električno orodje" v opozorilih se nanaša na vaše električno orodje, ki se napaja z omrežno elektriko (žično) ali preko baterije (brezžično).

Varnost na delovnem mestu

- **Delovno območje naj bo vedno čisto in dobro razsvetljeno.** Neurejene površine in temna območja so idealna za nezgode.
- **Z električnim orodjem ne delajte v eksplozivnih atmosferah, kot v prisotnosti vnetljivih tekočin, plinov ali prahu.** Električna orodja ustvarjajo iskre, ki lahko vnamejo prah ali hlape.
- **Med delom z električnim orodjem se otroci in druge osebe ne smejo približevati delovnemu mestu.** Če vas kaj zmoti, lahko izgubite nadzor.

Električna varnost

- **Vtič električnega orodja mora ustrezati električni vtičnici.** Vtiča nikoli ne spreminjajte na noben način. **Z ozemljenimi električnimi orodji ne uporabljajte nobenih adapterskih vtičev.** Nespremenjeni vtiči in ustrezne vtičnice zmanjšajo tveganje električnih udarov.
- **Izogibajte se stiku z ozemljenimi površinami, kot so pipe, radiatorji, štedilniki in hladilniki.** Če je vaše telo ozemljeno, obstaja povečano tveganje električnega udara.

- **Električnega orodja ne izpostavljajte dežju ali mokrim pogojem.** Voda, ki vstopi v električno orodje, poveča tveganje električnega udara.
- **Kabla ne smete zlorabljati. Kabla ne uporabljajte za prenašanje, vlečenje ali odklop električnega orodja. Kabla ne približujte virom toplote, olju, ostrim robovom ali premečnim delom.** Poškodovani ali prepletene kabli povečajo tveganje električnega udara.
- **Pri delu z električnim orodjem na prostem uporabite podaljševalni kabel, primeren za uporabo na prostem.** Uporaba kabla, primerne za uporabo na prostem, zmanjša tveganje električnega udara.
- **Če se delu z električnim orodjem na mokri lokaciji ni mogoče izogniti, uporabite napajanje, zaščiteno z napravo na diferenčni tok (RCD).** Uporaba naprave na diferenčni tok zmanjša tveganje električnega udara.

Osebnostna varnost

- **Pri uporabi orodja bodite pozorni, pazite na svoja dejanja in uporabljajte zdrav razum. Električnega orodja ne uporabljajte, če ste zaspani ali pod vplivom mamil, alkohola ali zdravil.** Trenutek nepozornosti med uporabo električnih orodij lahko povzroči hude osebne poškodbe.
- **Uporabite osebno zaščitno opremo. Vedno nosite zaščitno za oči.** Zaščitna oprema, kot so protiprašna maska, nedrseči zaščitni čevlji, čelada ali zaščita sluha, ki se uporablja v tovrstnih pogojih, zmanjša resnost osebnih poškodb.
- **Preprečite neželen zagon. Pred povezavo z električnim napajanjem in/ali baterijskim paketom in preden primete ali prenašate orodje, morate poskrbeti, da bo stikalo v izklopljenem položaju.** Prenašanje električnega orodja medtem ko držite prst na stikalu ali povezuje električno orodje z napajanjem, kliče po nezgodi.
- **Pred vklopom orodja odstranite prilagoditvene ključe ali ključe za odvijanje.** Ključ za odvijanje ali ključ, ki ga pustite priključenega na vrteči del orodja, lahko povzroči osebne poškodbe.
- **Pri delu ne segajte predaleč. Vedno imejte ustrezno podlago in ohranjajte ravnotežje.** S tem imate boljši nadzor nad električnim orodjem v nepričakovanih situacijah.
- **Nosite ustrezna oblačila. Ne nosite ohlapnih oblačil ali nakita. Las in oblačil ne približujte premečnim delom.** Ohlapna oblačila, nakit ali dolgi lasje se lahko ujamejo v premečne dele.
- **Če so naprave zaščitene s povezavo naprav za odstranjevanje in zbiranje praha, poskrbite, da bodo priključeni in pravilno uporabljani.** Uporaba naprave za zbiranje prahu lahko zmanjša nevarnosti, povezane s prahom.
- **Ne dovolite, da bi zaradi poznavanja orodja, do katerega ste prišli z njegovo pogosto uporabo, postali malomarni in ne bi upoštevali varnostnih načel dela z orodjem.** Neprevidno dejanje lahko povzroči hude poškodbe v delčku sekunde.

- Pri izvajanju del, kjer se pritrilni element lahko dotakne skrite električne napeljave, morate električno orodje držati za izolirane prijemalne površine. Pritrdilni elementi, ki vsebujejo "živo" žico, lahko električno napajajo izpostavljene kovinske dele električnega orodja in lahko električno udarijo upravljavca.

Uporaba električnega orodja in skrb zanj

- **Električnega orodja ne smete uporabljati na silo.** Uporabite orodje, ki ustreza vašim potrebam. S pravilno izbranim električnim orodjem lahko opravite delo bolje in varneje ter pri hitrosti, za katero je bilo narejeno.
- **Električnega orodja ne uporabljajte, če ga ne morete vklopiti in izklopiti z ustreznim stikalom.** Električna orodja, ki jih ne morete nadzorovati s stikalom, so nevarna in jih je treba popraviti.
- **Pred kakršnimi koli prilagoditvami, zamenjavo dodatkov ali shranjevanjem električnega orodja morate vtič odklopiti iz električnega napajanja in/ali baterijskega paketa električnega orodja, če je le-ta odstranljiv.** Ti preventivni varnostni ukrepi zmanjšajo tveganje neželenega zagona električnega orodja.
- **Neuporabljena električna orodja shranite izven dosega otrok in ne dovolite, da bi osebe, ki se ne spoznajo na električna orodja ali ta navodila, uporabljala s tem električnim orodjem.** Električna orodja so v rokah neusposobljenih uporabnikov nevarna.
- **Vzdržujte električna orodja in dodatke.** Preverite neustrezno poravnano ali povezovanje premičnih delov, zlome in vsa druga stanja, ki lahko vplivajo na delovanje električnega orodja. Če je orodje poškodovano, ga morate dati pred uporabo servisirati. Številne nezgode povzročijo ravno slabo vzdrževana električna orodja.
- **Rezalna orodja naj bodo ostra in čista.** Redno vzdrževana rezalna orodja z ostrimi rezalnimi robovi je lažje upravljati in verjetnost zatikanja je manjša.
- **Električna orodja, dodatke in nastavke orodij, itd. uporabljajte skladno s temi navodili, pri tem pa upoštevajte delovne pogoje in delo, ki ga želite opraviti.** Uporaba električnega orodja za operacije, ki se razlikujejo od namena uporabe, lahko privede do nevarne situacije.
- **Ročaji in prijemalne površine morajo biti suhe, čiste in brez olja ter maščob.** Drseči ročaji in prijemalne površine ne dopuščajo varnega rokovanja z orodjem ter njegovega nadzora v nepričakovanih situacijah.

Uporaba baterijskega orodja in skrb zanj

- **Baterije polnite samo s polnilcem, ki ga določi proizvajalec.** Polnilec, ki je primeren za eno vrsto baterijskega paketa, lahko predstavlja tveganje za požar pri uporabi z drugim baterijskim paketom.
- **Električna orodja uporabljajte samo s posebej določenimi baterijskimi paketi.** Uporaba drugih baterijskih paketov lahko predstavlja tveganje za poškodbe in požar.
- **Kadar baterijskega paketa ne uporabljajte, ga ne približujte drugim kovinskim predmetom, kot so papirnate sponke, kovanci, ključi, želji, vijaki ali drugi**

majhni kovinski predmeti, s katerimi lahko vzpostavite stik med poloma. Vzpostavitev kratkega stika polov baterije lahko povzroči opekline ali požar.

- **Pod neprimernimi pogoji lahko pride do izbrizga tekočine iz baterije; izogibajte se stiku s to tekočino. Če pride do nezgodnega stika, splakujte z vodo. Če pride tekočina v stik z očmi, poiščite zdravniško pomoč.** Tekočina, izbrizgana iz baterije, lahko povzroči draženje ali opekline.
- **Ne uporabljajte baterijskega paketa ali orodja, ki je poškodovano ali spremenjeno.** Poškodovane ali spremenjene baterije se lahko obnašajo nepredvidljivo in povzročijo ogenj, eksplozijo ali tveganje poškodb.
- **Baterijskega paketa ali orodja ne izpostavite ognju ali čezmerni temperaturi.** Izpostavljanje ognju ali temperaturi nad 130 °C lahko povzroči eksplozijo.
- **Upoštevajte vsa navodila za polnjenje in baterijskega paketa ali orodja ne polnite izven temperaturnega razpona, ki je določen v navodilih.** Nepravilno polnjenje ali pri temperaturah izven določenega temperaturnega razpona lahko poškoduje baterijo in povzroči tveganje požara.

Servisiranje

- **Ali je vaše električno orodje servisiral usposobljen serviser, ki je pri tem uporabil samo identične nadomestne dele?** S tem boste zagotovili nadaljnjo varnost električnega orodja.
- **Nikoli ne servisirajte poškodovanih baterijskih paketov.** Baterijske pakete lahko servisira samo proizvajalec ali pooblaščen serviserji.

Navodila, specifična za izdelek

Opozorilo!

Za zmanjšanje tveganja za požar, osebno poškodbo ali poškodovanje orodja zaradi kratkega stika, nikoli ne potopite orodja, baterijskega paketa ali polnilca v tekočino ali dovolite, da tekočina prodre v njih. Korozivne ali prevodne tekočine, kot je morska voda, določene industrijske kemikalije in belilo ali izdelki, ki vsebujejo belilo, itd., lahko povzročijo kratek stik.

Posebni previdnostni ukrepi

- Stroj se lahko uporablja samo skupaj s povezano navorno reakcijsko ročico, ki je prilagojena za zadevno aplikacijo vijačne povezave.
- Uporabljajte dvojni sprožilnik, da zmanjšate tveganje za zatik prstov ali rok med reakcijski drog in obdelovanec.

Splošna varnost pri namestitvi

Namestitev naj izvaja samo usposobljeno osebje.

Orodje obesite na varen kraj, na primer z uporabo balanserja. Kadar uporabljate obešalni jarem, preverite, ali je v dobrem stanju in ali je pravilno pritrjen.

Sistem vedno priključite na ozemljeno vtičnico. Pred priklopljanjem ali odklopljanjem kabla orodja morate vedno poskrbeti, da bo omrežni vtič odklopljen in da bo krmilnik izklopljen.

Posebni previdnostni ukrepi

⚠ OPOZORILO Nevarnost zmečkanja

Dvojni sprožilec uporabnika prisili v uporabo obeh rok za rokovanje z orodjem. Če sprožilec ni uporabljen, lahko operater po naključju zažene orodje med prilaganjem reakcijske ročice, kar lahko povzroči resno poškodbo rok.

- ▶ Prepričajte se, da orodja ni možno zagnati, ko je dvojni sprožilec sproščen.
- ▶ Orodje vedno preverite tako, da najprej sprostite dvojni sprožilec in nato pritisnete na sprožilec na orodju. Če se orodje zažene, prenehajte z delom.

Splošna varnost pri delovanju

- Zaradi nevarnosti zapletanja ne nosite rokavic.
- Bodite pripravljeni na reakcijsko silo, do katere pride pri uporabi tega orodja. Držalo orodja zmeraj varno podložite v nasprotni smeri vrtenja vretena, da bi zmanjšali učinek nenadnih navornih reakcij pri končnem privijanju in pri začetnem rahljanju.
- Nikoli ne primite za pogon, pušo ali podaljšek pogona.
- Upravljalci morajo biti fizično sposobni upravljati tovor, težo in moč orodja.
- Če je mogoče, uporabite suspenzijsko roko za absorpcijo reakcijskega navora. Če to ni mogoče, se priporoča stranske ročaje za orodja z ravnim ohišjem in orodja s pištolinim ročajem; za kotne vijačnike za matice se priporočajo reakcijske prečke. Priporočena je uporaba sredstev za absorpcijo reakcijskega navora, ki presega 4 Nm (3 lbf.ft) za orodja z ravnim ohišjem, nad 10 Nm (7,5 lbf.ft) za orodja s pištolinim ročajem in nad 60 Nm (44 lbf.ft) za kotne vijačnike za matice.
- Zaradi preveč ali premalo privitih spojnih elementov lahko pride do hudih poškodb. Sklopi, pri katerih je potreben poseben zatezni moment, je treba preverjati z merilnikom zateznega momenta. Tako imenovani momentni ključki na "klik" ne preverjajo morebitno nevarnih okoliščin previsokega navora. Preveč ali premalo priviti spojni elementi se lahko odlomijo, se odvijajo ali se ločijo. Sproščene sklope lahko izstrelijo ven.
- Uporabljajte le električne ali udarne nastavke v dobrem delovnem stanju. Ne uporabljajte ročnih puš.
- Pri uporabi električnega orodja lahko uporabnik začuti neudobje v rokah, zgornjih udih, ramenih, vratu ali drugih delih telesa. Med delovnikom spreminjajte položaj svojega telesa, ves čas stojte na varni površini in izogibajte se neobičajnim položajem, ko bi bilo vaše telo izven ravnotežja.
- Ponavljajoči se gibi, nerodni položaji in izpostavljenost vibracijam lahko poškodujejo roke in noge. V primeru, da pride do otrplosti, ščemenja, bolečin ali beljenja kože, prenehajte uporabljati to orodje in se posvetujte z zdravnikom.
- Med uporabo v zaprtih prostorih bodite še posebej previdni. Pazite, da se vam roka ne uklešči med orodjem in obdelovancem.

- Visoka stopnja hrupa lahko povzroči trajno izgubo sluha. Uporabljajte zaščito za ušesa, kot jo priporoča delodajalec ali predpisi o poklicnem zdravju in varnosti.
- Poskrbite, da bo obdelovanec dobro pritrjen.
- V neznanih okoliščinah bodite izjemno previdni. Zavedajte se mogočih nevarnosti, ki jih lahko ustvarite s svojimi delovnimi aktivnostmi. To orodje ni izolirano pred stikom z viri električnega toka.

Orodje, uporabljeno skupaj z reakcijsko ročico: Med delovanjem orodja z roko nikoli ne posegajte v bližino reakcijskega droga. Pred zagonom orodja preverite smer vrtenja vretena, ker lahko reakcijska sila deluje v nepričakovani smeri pri tem pa pride do tveganja poškodb z zdrobitvijo.

Orodja, ki vsebujejo sklopko: Izdelka ne uporabljajte, če ne preverite, ali se sklopka sprosti. Takoj zatem, ko ste prilagodili sklopko, preverite, ali stroj deluje pravilno.

⚠ OPOZORILO Tveganje poškodb

Prepričajte se, da uporabljate ustrezno datoteko s parametri. Napačna datoteka s parametri lahko povzroči previsok navor in posledično telesne poškodbe.

- ▶ Primerjajte maksimalni navor, ki jih prikazan na krmilniku, z maksimalnim navorom iz tehničnih podatkov orodja - vrednosti morata biti enaki.

Splošna navodila

Orodje se lahko uporablja samo skupaj s povezano navorno reakcijsko ročico, ki je prilagojena za zadevno aplikacijo vijajne povezave.

⚠ OPOZORILO Nevarnost zmečkanja



Pred začetkom preverite smer vrtenja orodja! Zagon orodja v nepričakovani smeri vrtenja lahko povzroči telesne poškodbe ali materialno škodo. Premikajoči se deli lahko zdrobijo ali porežejo dele teles.

- ▶ Pred zagonom orodja preverite, ali se orodje vrti v pravo smer.
- ▶ Rok in prstov ne približujte premikajočim delom.

Uporaba orodja

1. Reakcijsko ročico sestavite ob upoštevanju varnostnih navodil, opisanih v tem dokumentu.
2. Orodje opremite z ustreznim nastavkom ob upoštevanju varnostnih navodil, opisanih v tem dokumentu.
3. Z gumbi za nastavitvev (4) in prikazovalnikom (3) nastavite ustrezn način.
4. Z gumbom za vzvratni tek izberite pravo smer (6).
5. Orodje in reakcijsko ročico (7) postavite skladno z varnostnimi navodili, opisanimi v tem dokumentu.
6. Pritisnite drugi sprožilec (1) in zadržite pritisk.
7. Pritisnite glavni sprožilec (2) in zadržite pritisk.
8. Sprožilca (1 in 2) pritiskajte do konca obratovanja.

9. Preverite status obratovanja na lučkah LED za poročanje (5). Zelena (Ok), Rdeča (NOk).

Baterija

Paketi baterij, ki nekaj časa niso bili v uporabi, morajo biti za uporabo ponovno napolnjeni.

Temperature nad 50 °C (122 °F) zmanjšujejo učinkovitost baterije. Izogibajte se daljši izpostavljenosti toploti ali soncu (nevarnost pregrevanja).

Kontakti polnilnikov in baterijskih vložkov morajo biti čisti. Za optimalno življenjsko dobo morate po zaključeni uporabi baterije popolnoma napolniti. Za zagotovitev čim daljše življenjske dobe paketa baterij, ga odstranite iz polnilnika, potem ko je napolnjen.

Paket baterij ima zaščito pred preobremenitvijo, ki ga ščiti pred preobremenitvijo in tako zagotavlja dolgo življenjsko dobo. Pod izrednim stresom elektronsko stikalo baterije samodejno izklopi izdelek. Za ponovni zagon izdelek izklopite in ga ponovno vklopite. Če se izdelek ne zažene znova, je baterija morda popolnoma prazna. V tem primeru jo je potrebno ponovno napolniti v polnilcu za baterije.

Navodila za vzdrževanje

- **Upoštevajte lokalne in državne okoljevarstvene predpise za varno delo z vsemi sestavnimi deli in njihovo odstranjevanje.**
- Vzdrževanje in popravila lahko izvaja izključno usposobljeno osebje ter z uporabo originalnih nadomestnih delov. Če potrebujete tehnično pomoč ali nadomestne dele, se obrnite na proizvajalca ali najbližjega pooblaščenega prodajalca.
- Vedno poskrbite, da bo stroj odklopljen z vira energije, da se izognete nenamernemu sproženju delovanja.
- Če orodje uporabljate vsak dan, ga morate razstaviti in pregledati vsake 3 mesece. Zamenjajte poškodovane ali obrabljene dele.
- Zavorna tekočina, bencin, izdelki na osnovi nafte, prnicajoča olja in podobne snovi nikoli ne smejo priti v stik s plastičnimi deli. Kemikalije lahko plastiko poškodujejo, oslabijo ali uničijo, kar lahko privede do hudih telesnih poškodb.
- Pri čiščenju plastičnih delov ne uporabljajte topil. Večina plastičnih mas je ob uporabi komercialnih topil dovzetna za poškodbe. Za odstranjevanje umazanije, prahu, olj, maščobe itd. uporabite čisto krpo.

Odstranjevanje

- Odstranjevanje te opreme mora upoštevati zakonodajo zadevne države.
- Poškodovane naprave, izrabljene naprave ali naprave, ki ne delujejo pravilno, **MORATE IZLOČITI IZ UPORABE.**

Znaki in etikete

Izdelek je opremljen z znaki in nalepkami, ki vsebujejo pomembne informacije o osebni varnosti in o vzdrževanju izdelka. Nalepke in znaki morajo biti vedno dobro berljivi. Nove znake in nalepke lahko naročite s pomočjo seznama rezervnih delov.



5011050

Simboli



Pred začetkom del na stroju odstranite paket baterij.



Pred zagonom stroja skrbno preberite navodila.



Električnih orodij ne odstranjujte skupaj z gospodinjskimi odpadnimi materiali. Električna orodja in elektronska oprema, ki so dosegli konec svoje življenjske dobe, je treba ločeno zbirati in oddati okolju prijaznemu obratu za recikliranje. Pri lokalnih oblasteh ali prodajalcu se pridobite informacije glede zbirnega mesta za recikliranje.



Med uporabo stroja vedno nosite zaščitna očala.

n_0

Hitrost brez obremenitve.

V

voltov

min^{-1}

na minuto



Enosmerni tok



PREVIDNO! POZOR! NEVARNOST!

Koristne informacije

Spletno mesto

Informacije o naših izdelkih, dodatni opremi, nadomestnih delih in objavljenih publikacijah lahko najdete na spletni strani Chicago Pneumatic.

Prosimo, obiščite: www.cp.com.

Država izvora

HUNGARY

Varnostni list

Varnostni listi opisujejo kemične izdelke, ki jih prodaja družba Chicago Pneumatic.

Prosimo, za več informacij pogledajte na spletno stran družbe Chicago Pneumatic - qr.cp.com/sds.

Avtorske pravice

© Avtorske pravice 2022, CHICAGO PNEUMATIC Tool Co.LLC, 1815 Clubhouse Road, Rock Hill, SC 29730 - USA

Vse pravice pridržane. Vsaka nepooblaščen uporaba ali razmnoževanje vsebine ali delov vsebine je prepovedano. To še posebej velja za blagovne znamke, označbe modelov, številke delov in slike. Uporabite samo pooblaščen dele. Garancija ali jamstvo za izdelek ne krije nobenih poškodb ali nepravilnega delovanja, ki ga povzroči uporaba nepooblaščenih delov.

Date tehnice

Descrierea produsului

Vă rugăm să consultați ilustrația 2: Descrierea produsului

- 1 Al doilea declanșator
- 2 Declanșator principal
- 3 Ecran de afișare
- 4 Butoane de setări
- 5 LED-uri de raportare
- 6 Buton pentru Invers
- 7 Bară de reacție tip s (livrată cu unealta)

Declarații

DECLARAȚIE DE CONFORMITATE PENTRU UE

Noi, **CHICAGO PNEUMATIC Tool Co.LLC**, 1815 Clubhouse Road, Rock Hill, SC 29730 - USA, declarăm pe propria răspundere că produsul (cu denumirea, tipul și numărul de serie - vezi prima pagină) este conform cu următoarea Directivă / următoarele Directive:

2006/42/EC; 2011/65/UE; 2014/53/UE

Standarde armonizate aplicate: EN 62841-2-2:2014 + AC1:2015; EN 55014-1:2017+11:2020; EN 55014-2:2015; EN 61000-6-2:2019; EN 61000-6-3:2007 + A1:2011; EN 300328V222; EN 301489-17V324; EN 301489-1V223; EN 62311:2008; EN 62479:2010

Autoritățile pot solicita informații tehnice corespunzătoare de la:

Pascal Roussy, R&D Manager, Ets Georges Renault, 38 rue Bobby Sands, BP10273 44818 Saint Herblain, France

Saint-Herblain, 2022/01/26

Pascal ROUSSY

Semnătura emitentului



Declarație cu privire la nivelul de zgomot și de vibrații

- Nivelul presiunii sunetului < 72 dB(A), incertitudine 3 dB(A), conform cu EN 62841-2-2:2015.
- Nivelul puterii sunetului < 83 dB(A), incertitudine 3 dB(A), conform cu EN 62841-2-2:2015.

- Valoarea totală a vibrațiilor < 2.5 m/s², incertitudine 3 m/s², conform cu EN 62841-2-2:2015.

Aceste valori declarate au fost obținute la testarea în laborator în conformitate cu standardele menționate și se pot compara cu valorile declarate ale celorlalte unelte testate în conformitate cu respectivele standarde. Aceste valori declarate nu pot fi folosite în cadrul evaluărilor de risc iar valorile măsurate la unitățile de lucru individuale pot fi mai mari. Valorile efective ale expunerii și riscul de vătămare suportat de un utilizator individual sunt unice și depind de modul de desfășurare a activității utilizatorului, de tipul lucrării și de designul spațiului de lucru, precum și de timpul de expunere și de condiția fizică a utilizatorului.

Noi, **CHICAGO PNEUMATIC Tool Co.LLC**, nu putem fi considerați răspunzători de consecințele utilizării valorilor nominale în locul celor ce reflectă expunerea reală, într-o evaluare individuală a riscurilor unei situații aferente unui post de lucru asupra cărora nu avem control.

Această unealtă poate produce sindromul de vibrație mână-braț dacă nu este utilizată în mod adecvat. Un ghid UE pentru controlul vibrațiilor mână-braț poate fi găsit accesând <http://www.pneurop.eu/index.php> și selectând "Tools" (instrumente), apoi "Legislation" (legislație).

Vă recomandă un program de monitorizare a sănătății pentru a detecta simptomele timpurii care pot apărea ca urmare a expunerii la zgomot și vibrații, astfel încât procedurile de management să poată fi modificate pentru a ajuta la prevenirea agravării situației.

- ⓘ Dacă acest echipament este destinat aplicațiilor fixe: Emisia de zgomot este precizată ca un ghid pentru constructorul de mașini. Datele pentru emisia de zgomot și vibrații pentru întreaga mașină trebuie prezentate în manualul de instrucțiuni al mașinii.

Specificații privind comunicarea wireless

BLUETOOTH LOW ENERGY 4.2®

Frecvență: 2400 MHz - 2483,5 MHz

EIRP: <10 dBm

Cuvântul marcă și siglele Bluetooth® sunt mărci comerciale înregistrate deținute de Bluetooth SIG, Inc

Cerințe regionale

⚠️ AVERTISMENT

Acest produs vă poate expune la substanțe chimice, inclusiv plumb, care este cunoscut Statului California ca fiind cauzator de cancer și de defecte la naștere sau de alte efecte nocive asupra funcției de reproducere. Pentru mai multe informații, accesați

<https://www.p65warnings.ca.gov/>

Siguranța

A NU SE ARUNCA - A SE PREDA UTILIZATORULUI

⚠️ AVERTISMENT Citiți toate avertismentele, instrucțiunile, ilustrațiile și specificațiile furnizate împreună cu produsul.

În cazul nerespectării tuturor instrucțiunilor de mai jos, este posibilă producerea unei electrocutări, unui incendiu, unor daune asupra proprietății și/sau a unei vătămări grave.

Păstrați toate avertismentele și instrucțiunile pentru consultări ulterioare.

⚠️ AVERTISMENT Trebuie respectate permanent toate reglementările de siguranță din legislația locală privind instalarea, utilizarea și întreținerea.

Declarație privind utilizarea

- Exclusiv pentru utilizarea profesională.
- Acest produs și accesoriile sale nu trebuie modificate în niciun fel.
- Nu utilizați acest produs dacă este deteriorată.
- În cazul în care datele produsului sau etichetele de avertizare la pericole de pe acesta devin ilizibile sau se detașează, înlocuiți-le imediat.
- Produsul trebuie instalat, utilizat și întreținut exclusiv de către personalul calificat, într-un mediu industrial.

Scop preconizat

Produsul este destinat pentru a fi utilizat numai de persoane adulte care au citit și au înțeles instrucțiunile și avertismentele din acest manual și pot fi considerate responsabile pentru acțiunile lor.

- Acest produs este destinat instalării și demontării pieselor de asamblare filetate din lemn, metal sau plastic.
- A se folosi exclusiv la interior.
- Nu utilizați produsul pentru niciun alt scop care nu este descris mai sus.
- Nu este permis niciun alt scop de utilizare

Acumulatori recomandați

8940176068: CP36XP25

Încărcător recomandat

8940176069: CP18-36CH

Bară reacție recomandată

Folosiți bara de reacție (7) livrată cu unealta. Pentru celelalte modele, consultați documentul de referință pentru bara de reacție 6159923710

Avertismente generale privind siguranța uneltelor electrice

⚠️ AVERTISMENT Citiți toate avertismentele, instrucțiunile, ilustrațiile și specificațiile furnizate împreună cu produsul.

În cazul nerespectării tuturor instrucțiunilor de mai jos, este posibilă producerea unei electrocutări, unui incendiu, unor daune asupra proprietății și/sau a unei vătămări grave.

Păstrați toate avertismentele și instrucțiunile pentru consultări ulterioare.

Termenul „unealtă electrică” din avertismente se referă la unealta electrică alimentată de la rețea (prin cablu) sau cu baterii (fără cablu).

Siguranța zonei de lucru

- **Păstrați zona de lucru curată și bine luminată.** Zonele aglomerate și întunecate facilitează producerea de accidente.
- **Nu utilizați unelte electrice în atmosfere explozive, cum ar fi în prezența lichidelor, gazelor sau pulberilor inflamabile.** Unelte electrice creează scântei care pot aprinde praful sau vaporii.
- **În timpul utilizării unei unelte electrice țineți la distanță copiii și persoanele neimplicate în procedură.** Distragerea atenției poate cauza pierderea controlului asupra uneltei.

Siguranța electrică

- **Ștecherile uneltelor electrice trebuie să se potrivească prizelor. Nu modificați în niciun mod ștecherul. Nu utilizați adaptoare împreună cu unelte electrice (împământate).** Ștecherile nemodificate și prizele corepunzătoare reduc riscul de electrocutare.
- **Evitați contactul corpului cu suprafețele împământate, precum conducte, calorifere, aragaze și frigidere.** Riscul de electrocutare sporește în cazul împământării sau legării la masă a corpului.
- **Nu expuneți unelte electrice la ploaie sau umezeală.** Pătrunderea apei într-o unealtă electrică sporește riscul de electrocutare.
- **Nu solicitați cablul de alimentare. Nu folosiți cablul de alimentare pentru transport, tragerea sau decuplarea uneltei electrice de la rețea. Țineți cablul la distanță de sursele de căldură, ulei, muchii ascuțite sau piese în mișcare.** Cablurile deteriorate sau încurcate sporesc riscul de electrocutare.
- **Atunci când utilizați o unealtă electrică în spațiu deschis, folosiți un prelungitor pentru exterior.** În scopul reducerii riscului de electrocutare, folosiți un prelungitor pentru exterior.
- **Dacă utilizarea unei unelte electrice într-o locație umedă este inevitabilă, utilizați o sursă electrică protejată cu dispozitiv de curent rezidual (RCD).** Utilizarea unui RCD reduce riscul de electrocutare.

Siguranța personală

- **La utilizarea unei unelte electrice, procedați cu atenție, urmăriți-vă acțiunile și folosiți rațiunea. Nu utilizați o unealtă electrică dacă sunteți obosit sau sub**

influența drogurilor, alcoolului sau medicamentelor. Un singur moment de neatenție în timpul folosirii uneltei poate cauza leziuni serioase.

- **Folosiți echipamente de protecție personală. Purtați întotdeauna ochelari de protecție.** Echipamentele de protecție precum masca de praf, încălțăminte antidera-pantă, casca sau tampoanele auditive folosite în condiții corespunzătoare reduc vătămările personale.
- **Evitați pornirea accidentală a uneltelor. Anterior conectării unei unelte electrice la sursa electrică și/ sau la baterie, anterior ridicării sau transportării acesteia, asigurați-vă că întrerupătorul uneltei este în poziția dezactivat.** Transportarea uneltelor electrice ținând degetul pe comutatorul de pornire/oprire sau bransarea acestora la sursa electrică având comutatorul în poziția activat facilitează producerea de accidente.
- **Anterior pornirii uneltei electrice trebuie îndepărtate eventualele chei utilizate la reglarea acesteia.** O cheie lăsată atașată pe o componentă rotativă a uneltei electrice poate produce vătămări corporale.
- **Nu lucrați în poziții dificile! Mențineți permanent sprijinul și echilibrul.** Astfel veți fi în măsură să controlați mai bine unealta electrică în situații dificile.
- **Purtați îmbrăcăminte corespunzătoare. Nu purtați haine prea largi sau bijuterii. Țineți părul și hainele la distanță de piesele în mișcare.** Hainele largi, bijuteriile sau părul lung pot fi prinse de aceste piese.
- **Dacă există dispozitive de conectare a sistemelor de extracție și colectare a prafului, acestea trebuie cuplate și utilizate corespunzător.** Utilizarea sistemelor de colectare a prafului reduce pericolele asociate pulberilor.
- **Nu deveniți indiferent și nu ignorați principiile de siguranță ale uneltelor ca urmare a cunoștințelor acumulate din utilizarea frecventă a acestora.** O acțiune neatență poate provoca vătămări grave într-o fracțiune de secundă.
- **Atunci când executați operațiuni în care dispozitivul de fixare ar putea intra în contact cu cabluri ascunse, apucați unealta electrică exclusiv de suprafețele izolate.** Bridele care intră în contact cu un cablu aflat sub tensiune pot pune părțile metalice ale uneltei sub tensiune și pot provoca electrocutarea operatorului.

Utilizarea și întreținerea uneltei electrice

- **Nu forțați unealta electrică. Utilizați unealta corespunzătoare aplicației.** Unealta corespunzătoare va efectua activitatea mai bine și mai sigur, la viteza pentru care a fost proiectată.
- **Nu utilizați o unealtă electrică al cărei comutator de pornire/oprire este nefuncțional.** Orice unealtă electrică ce nu poate fi controlată cu ajutorul comutatorului este periculoasă și trebuie reparată.
- **Anterior efectuării de reglaje, înlocuirii accesoriilor sau depozitării uneltelor electrice, deconectați-le de la sursa electrică și/sau scoateți bateria din acestea dacă este detașabilă.** Aceste măsuri de precauție reduc riscul pornirii accidentale a uneltei electrice.

- **Nu lăsați la îndemâna copiilor uneltele electrice aflate în repaus și nu permiteți utilizarea acestora de către persoane care nu cunosc uneltele respective sau aceste instrucțiuni.** Uneltele electrice sunt periculoase dacă sunt utilizate de persoane nepregătite.
- **Întreținerea uneltelor electrice și a accesoriilor. Verificați dacă piesele în mișcare nu sunt aliniate sau aderă, identificați eventualele piese fisurate sau aflate în orice altă stare ce poate afecta funcționarea uneltei electrice. Dacă o unealtă electrică este defectă, aceasta trebuie reparată anterior utilizării.** Multe accidente sunt provocate de unelte electrice cu o întreținere inadecvată.
- **Păstrați uneltele tăietoare ascuțite și curate.** Uneltele de tăiere cu margini ascuțite, întreținute corespunzător, sunt mai puțin expuse posibilității de aderare și sunt mai ușor de controlat.
- **Utilizați uneltele electrice, accesoriile și biții, etc. în conformitate cu aceste instrucțiuni, având în vedere condițiile de lucru și sarcina ce trebuie efectuată.** Utilizarea uneltelor electrice într-un alt scop decât cel pentru care au fost proiectate poate genera situații periculoase.
- **Mențineți mânerul și suprafețele de apucare uscate, curate și fără ulei și vaselină.** Mânerul și suprafețele de apucare alunecoase nu permit manevrarea sigură și controlul uneltei în situații neașteptate.

Utilizarea și întreținerea uneltei cu baterie

- **Încărcați bateria numai cu încărcătorul specificat de producător.** Un încărcător potrivit unui anumit tip de baterie poate constitui un risc de incendiu dacă este utilizat la încărcarea unei alte baterii.
- **Utilizați sculele electrice exclusiv împreună cu acumulatorii proiectate special pentru acestea.** Utilizarea unui tip diferit de acumulatori poate genera pericol de vătămare și incendiu.
- **Când nu folosiți acumulatorii, păstrați-le departe de obiecte metalice, cum ar fi agrafe pentru hârtie, monede, cuie, șuruburi sau alte obiecte metalice mici, care ar putea face contact între terminalele acumulatorului.** Scurtcircuitarea bornelor poate provoca arsuri sau incendiu.
- **În condiții de utilizare abuzivă, este posibilă scurgerea de lichid din baterie; evitați contactul cu acesta. Dacă se produce accidental contactul, clătiți-vă cu apă. În cazul în care lichidul intră în contact cu ochii, clătiți-vă cu apă și solicitați asistență medicală.** Lichidul scurs din baterie poate provoca iritații sau arsuri.
- **A nu se utiliza acumulatori sau unelte deteriorate sau modificate.** Bateriile deteriorate sau modificate se pot comporta imprevizibil și provoca foc, explozie sau pericol de vătămare.
- **A nu se expune acumulatorii sau uneltele la foc sau temperaturi excesive.** Expunerea la foc sau temperaturi peste 130 °C poate provoca explozia.
- **Urmați toate instrucțiunile de încărcare și nu încărcați bateriile sau unealta la temperaturi situate în afara intervalului specificat în instrucțiuni.** Încărcarea

inadecvată sau la temperaturi situate în afara intervalului specificat poate duce la deteriorarea bateriilor și spori riscul de incendiu.

Service

- **Uneltele electrice trebuie supuse procedurilor de service de către persoane calificate, care trebuie să folosească doar piese de schimb identice.** Astfel se menține siguranța uneltei electrice.
- **Nu reparați niciodată bateriile deteriorate.** Repararea acestora trebuie executată numai de către producător sau prestatori de operațiuni de service autorizați.

Instrucțiuni specifice produsului

Avertisment!

Pentru a reduce riscul de incendiu, vătămare corporală și deteriorarea produsului din cauza unui scurtcircuit, nu scufundați niciodată unealta, acumulatorul sau încărcătorul în lichid și nu lăsați lichidele să curgă în interiorul acestora. Lichidele corozive sau conductive, cum ar fi apa de mare, anumite produse chimice industriale, precum și înălbitorul sau produsele care conțin înălbitor, poate provoca un scurtcircuit.

Precauții speciale

- Mașina poate fi utilizată numai împreună cu bara de reacție asociată, corespunzătoare aplicației respective de îmbinare cu șuruburi.
- Folosiți declanșatorul dual pentru a minimiza riscul prinderii degetelor sau mâinilor între bara de reacție și piesa de prelucrat.

Siguranța generală a procedurii de instalare

Procedura de instalare trebuie efectuată numai de personal calificat.

Suspendați în siguranță unealta, de exemplu pe un balansier. Când folosiți un etrier pentru suspensie, verificați dacă se prezintă într-o stare bună și este bine fixat.

Cuplați întotdeauna sistemul la o priză cu împământare. Anterior cuplării sau decuplării cablului sculei, verificați întotdeauna dacă este decuplat cablul de alimentare electrică și dacă este dezactivat controlerul.

Precauții speciale

AVERTISMENT Pericol de zdrobire

Declanșatorul dual forțează utilizatorul să folosească ambele mâini pentru a utiliza unealta. Dacă nu este folosit, operatorul poate porni accidental unealta în timp ce ajustează bara de reacție, ceea ce conduce la rănirea gravă a mâinii.

- ▶ Asigurați-vă că unealta nu poate fi pornită după ce Declanșatorul dual a fost eliberat.
- ▶ Testați întotdeauna unealta eliberând mai întâi declanșatorul Declanșatorului dual, după care împingeți declanșatorul uneltei. Dacă unealta pornește, opriți lucrul.

Siguranța operațională generală

- **Din cauza pericolului de agățare și încurcare, nu purtați mănuși.**
- **Pregătiți-vă pentru efectul forței de reacție în timpul folosirii uneltei.** Întotdeauna apucați strâns mânerul uneltei, în sens opus față de sensul de rotație a axului acesteia, pentru a reduce efectul reacției bruște a cuplului în timpul strângerii finale și desfacerii inițiale.
- **Nu apucați niciodată axul, adaptorul sau prelungitorul de acționare.**
- **Operatorii și personalul de întreținere trebuie să fie așți din punct de vedere fizic să controleze volumul, greutatea și forța uneltei.**
- **Dacă este posibil, folosiți un braț de suspensie pentru a absorbi cuplul de reacție.** Dacă acest lucru nu este posibil, se recomandă folosirea mânerelor laterale pentru uneltele drepte și pentru cele cu prindere tip pistol; pentru cheile unghiulare se recomandă barele de reacție. Se recomandă utilizarea de mijloace de absorbție a cuplului peste 4 Nm (3 lbf.ft) pentru uneltele drepte, peste 10 Nm (7,5 lbf.ft) pentru cele cu prindere tip pistol și peste 60 Nm (44 lbf.ft) pentru cheile unghiulare.
- **Se pot produce răni grave de la dispozitivele de strângere cu valori de cuplu prea mici sau prea mari.** Ansamblurile care necesită un anumit cuplu trebuie verificate cu ajutorul unui torsionmetru. Așa-numitele chei dinamometrice cu „clichet” nu verifică dacă înșurubarea este excesivă, ceea ce poate fi periculos. Dispozitivele de strângere cu valori de cuplu prea mici sau prea mari se pot sparge, slăbi sau desprinde. Ansamblurile eliberate pot deveni proiectile.
- **Folosiți doar chei electrice sau chei de impact, în stare bună.** Nu folosiți chei pentru acționare manuală.
- **Când utilizează o unealtă electrică, operatorul poate resimți disconfort la nivelul mâinilor, brațelor, umerilor, gâtului sau altor zone ale corpului.** Schimbați postura în timpul zilei de lucru, mențineți o stabilitate adecvată și evitați posturile dezechilibrate ciudate.
- **Mișcările de lucru repetitive, pozițiile incomode și expunerea la vibrații pot fi nocive pentru mâini și brațe.** Dacă remarcați amorțeală, furnicături, durere sau albirea pielii încetați utilizarea uneltei și consultați un medic.
- **Procedați cu atenție când lucrați în spații limitate.** Procedați cu atenție pentru a nu vă zdrobi mâinile între unealta electrică și piesa de prelucrat.
- **Zgomotele puternice pot duce la pierderea permanentă a auzului.** Folosiți mijloace de protecție pentru auz așa cum este recomandat de către angajator sau în reglementările de siguranță și sănătate ocupațională.
- **Piesa de prelucrat trebuie fixată ferm.**
- **Procedați cu atenție în medii insuficient cunoscute.** Conștientizați riscurile asociate activității desfășurate. Această unealtă nu este izolată în cazul contactului cu surse electrice.

Uneltele folosite împreună cu o bară de reacție: Niciodată nu puneți mâna pe, sau în apropierea barei de reacție în timpul utilizării aparatului. Înainte de a porni unealta, stabiliți

sensul de rotație al axului, deoarece forța de reacție poate acționa într-un sens neașteptat, existând riscul de vătămare prin strivire.

Uneltele cu un cuplaj: Nu folosiți niciodată produsul fără a confirma decuplarea angrenajului. Imediat după reglarea cuplajului, verificați dacă unealta funcționează corect.

AVERTISMENT Pericol de vătămare

Asigurați-vă că este folosit fișierul corect pentru parametrii. Un fișier cu parametrii greșiți poate conduce la un cuplu prea ridicat ce rezultă în vătămări corporale.

- ▶ Comparați cuplul maxim indicat de controler cu cuplul maxim prevăzut în datele tehnice ale uneltei. Acestea trebuie să fie identice.

Instrucțiuni generale

Unealta poate fi utilizată numai împreună cu bara de reacție asociată, corespunzătoare aplicației respective de îmbinare cu șuruburi.

AVERTISMENT Pericol de zdrobire



6158716540 6158716530

Înainte de pornire efectuați o verificare a sensului uneltei! Pornirea uneltei într-un sens neașteptat poate provoca vătămări corporale sau pagube materiale. Piesele în mișcare pot zdrobi și tăia.

- ▶ Anterior pornirii uneltei verificați dacă sensul de rotație este corect.
- ▶ Țineți mâinile și degetele la distanță de piesele în mișcare.

Utilizarea uneltei

1. Montați bara de reacție respectând instrucțiunile privind siguranța din acest document.
2. Montați pe unealtă un adaptor adecvat respectând instrucțiunile privind siguranța din acest document.
3. Setează modul corect folosind butoanele de setări (4) și ecranul de afișare (3).
4. Alegeți direcția corectă folosind butonul pentru invers (6).
5. Poziționați unealta și brațul de reacție (7) respectând instrucțiunile privind siguranța din acest document.
6. Apăsăți și mențineți apăsat al doilea declanșator (1).
7. Apăsăți și mențineți apăsat declanșatorul principal (2).
8. Mențineți apăsat pe declanșatoare (1 și 2) până la finalizarea operațiunii.
9. Verificați starea de funcționare pe LED-urile de raportare (5). Verde (Ok), Roșu (NOK).

Acumulatorul

Acumulatorii care nu au fost folosiți un timp trebuie reincărcate înainte de utilizare.

Temperaturile care depășesc 50°C (122°F) reduc perfor-

manța acumulatorului. Evitați expunerea îndelungată la căldură sau soare (risc de supraîncălzire).

Punctele de contact ale încărcătoarelor și ale acumulatorilor trebuie păstrate curate.

Pentru o durată de viață optimă, după utilizare, acumulatorii trebuie încărcate complet. Pentru a avea cea mai lungă durată de viață posibilă pentru acumulator, scoateți acumulatorul din încărcător după ce acesta s-a încărcat complet.

Acumulatorul are protecție împotriva supraîncărcării, care îl protejează de supraîncălzire și ajută la asigurarea duratei de viață. În condiții de stres extrem, electronica acumulatorului oprește automat produsul. Pentru a reporni, opriți și apoi reporniți produsul. Dacă produsul nu pornește din nou, acumulatorul se poate descărca complet. În acest caz, acesta trebuie reincărcat în încărcătorul bateriei.

Instrucțiuni de întreținere

- Pentru manevrarea și casarea în siguranță a tuturor componentelor urmați reglementările de mediu în vigoare în țara respectivă.
- Lucrările de întreținere și reparații trebuie efectuate de personal calificat, folosind numai piese de schimb originale. Contactați producătorul sau cel mai apropiat distribuitor autorizat pentru consultanță cu privire la serviciul tehnic sau dacă aveți nevoie de piese de schimb.
- Pentru evitarea pornirii accidentale trebuie verificat întotdeauna dacă echipamentul a fost deconectat de la sursa electrică.
- Dacă echipamentul este utilizat zilnic, acesta trebuie dezamblat și verificat trimestrial. Înlocuiți piesele deteriorate sau uzate.
- Nu lăsați pentru niciun moment lichide de frână, benzină, produse pe bază de petrol, uleiuri penetrante etc. să intre în contact cu componentele din plastic. Produsele chimice pot deteriora, slăbi sau distruge materialul plastic, ceea ce ar putea duce la vătămări corporale grave.
- Evitați folosirea solvenților atunci când curățați componentele din plastic. Majoritatea materialelor plastice sunt sensibile la diferite tipuri de solvenți comerciali și pot fi deteriorate prin utilizarea acestora. Folosiți cârpe curate pentru a îndepărta murdăria, praful, uleiul, grăsimile etc.

Casarea

- Aruncarea acestui echipament să respecte legislația din țara respectivă.
- Toate dispozitivele deteriorate, uzate excesiv sau care funcționează impropriu **SĂ FIE SCOASE DIN EXPLOATARE.**

Indicatoare și autocolante

Produsul este prevăzut cu marcaje și autocolante ce conțin informații importante despre siguranța personală și întreținerea produsului. Marcajele și autocolantele trebuie să fie ușor lizibile permanent. Marcaje și autocolante noi pot fi comandate de pe lista de piese de schimb.



Simboluri

Scoateți acumulatorul înainte de a începe orice operațiune cu aparatul.



Citiți cu atenție instrucțiunile înainte de a porni aparatul.



Nu aruncați sculele electrice împreună cu deșeurile menajere. Uneltele electrice și echipamentele electronice care au ajuns la sfârșitul duratei lor de viață trebuie colectate separat și returnate la o unitate de reciclare compatibilă cu mediul. Consultați autoritățile locale sau distribuitorii cu amănuntul pentru sfaturi și informații despre punctele de colectare pentru reciclare.



Purtați întotdeauna ochelari de protecție atunci când utilizați aparatul.

n_0

Nicio viteză de încărcare.

V

Volți

min^{-1}

per minut



Curent direct



ATENȚIE! AVERTISMENT! PERICOL!

Informații utile**Site web**

Informațiile referitoare la Produsele, Accesoriile, Piesele de schimb și Publicațiile noastre se găsesc pe site-ul web Chicago Pneumatic.

Vă rugăm să vizitați: www.cp.com.

Țara de origine

HUNGARY

Fișă tehnică de securitate

Fișele tehnice de securitate descriu produsele chimice vândute de Chicago Pneumatic.

Pentru mai multe informații, consultați site-ul web Chicago Pneumatic qr.cp.com/sds.

Drepturi de autor

© Copyright 2022, CHICAGO PNEUMATIC Tool Co.LLC, 1815 Clubhouse Road, Rock Hill, SC 29730 - USA

Toate drepturile rezervate. Este interzisă utilizarea sau copierea integrală sau parțială a conținutului. Acest lucru este valabil pentru mărcile comerciale, denumirile modelelor, numerele componentelor și schițe. A se utiliza exclusiv piese autorizate. Eventualele deteriorări sau defecțiuni cauzate prin utilizarea de piese neautorizate nu este acoperită de garanție nici de certificatul de conformitate.

Teknik Veriler**Ürün açıklaması**

Lütfen resme bakın 2: Ürün açıklaması

- 1 İkinci tetik
- 2 Birinci tetik
- 3 Ekran
- 4 Ayar butonları
- 5 Raporlama LED'leri
- 6 Geri düğmesi
- 7 S-tipi reaksiyon çubuğu (aletle birlikte verilir)

Beyanlar**AB UYGUNLUK BEYANI**

Bizler, **CHICAGO PNEUMATIC Tool Co.LLC**, 1815 Clubhouse Road, Rock Hill, SC 29730 - USA olarak, kendi münhasır sorumluluğumuz altında ürünün (adı, tipi ve seri numarası ile ön sayfaya bakınız) aşağıdaki Direktif(ler) ile uyumlu olduğunu beyan ederiz:

2006/42/EC; 2011/65/UE; 2014/53/UE

Geçerli dengelenmiş standartlar:EN 62841-2-2:2014 + AC1:2015; EN 55014-1:2017+11:2020; EN 55014-2:2015; EN 61000-6-2:2019; EN 61000-6-3:2007 + A1:2011; EN 300328V222; EN 301489-17V324; EN 301489-1V223; EN 62311:2008; EN 62479:2010

Yetkili makamlar ilgili teknik bilgileri şuradan isteyebilir: Pascal Roussy, R&D Manager, Ets Georges Renault, 38 rue Bobby Sands, BP10273 44818 Saint Herblain, France

Saint-Herblain, 2022/01/26

Pascal ROUSSY

Hazırlayanın imzası

Gürültü ve Titreşim Açıklaması

- Ses basıncı seviyesi < 72 dB(A) , belirsizlik 3 dB(A); EN 62841-2-2:2015 standardına göre.
- Ses gücü seviyesi < 83 dB(A) , belirsizlik 3 dB(A); EN 62841-2-2:2015 standardına göre.
- Titreşim toplam değeri < 2.5 m/s², belirsizlik 3 m/s², EN 62841-2-2:2015 standardına göre.

Bu açıklanan değerler, belirtilen standartlara uygun olarak laboratuvar testlerinde elde edilmiştir ve aynı standartlara göre test edilen diğer aletlerin açıklanan değerleriyle karşılaştırma için uygundur. Bu açıklanan değerler risk değerlendirmelerinde kullanım için yeterli değildir ve aynı iş yerlerinde ölçülen değerler daha yüksek olabilir. Maruz kalma değerleri ve bireysel kullanıcının görebileceği zarar riski duruma özgüdür ve kullanıcının çalışma şekline, çalışılan parçaya ve iş istasyonu tasarımı ile kullanıcının maruz kalma süresi ve fiziksel durumuna bağlıdır.

Bizler, **CHICAGO PNEUMATIC Tool Co.LLC** olarak, kontrolümüz olmayan bir iş yerinde risk değerlendirmesi için geçerli maruz kalmayı yansıtan değerler yerine açıklanan değerlerin kullanılmasının sonuçlarından sorumlu tutulmayız.

Bu alet, kullanımı yeterli derecede yönetilmediğinde el-kol titreşimi sendromuna yol açabilir. El-kol vibrasyonunu yönetmekle ilgili AB kılavuzuna, <http://www.pneurop.eu/index.php> sitesinde, 'Tools' (Araçlar) ve 'Legislation' (Mevzuat) seçeneğinden ulaşılabilir.

Yönetme prosedürlerinin gelecekteki hasarı önlemeye yardımcı olacak şekilde değiştirilebilmesi için gürültü ve titreşime maruz kalmayla ilgili olabilecek belirtileri erken tespit etmek için bir sağlık gözetim programı öneriyoruz.

- ⓘ Eğer bu ekipman sabitlenen uygulamalara yönelikse: Gürültü emisyonu makine kurucusu için bir rehber olarak verilir. Tüm makine için gürültü ve titreşim emisyonu verileri makine kullanım kılavuzunda verilmiştir.

Kablosuz iletişim özellikleri

BLUETOOTH LOW ENERGY 4.2®

Frekans: 2400 MHz - 2483.5MHz

EIRP: <10 dBm

Bluetooth® markası ve logosu Bluetooth SIG, Inc şirketinin tescilli ticari markalarıdır.

Bölgesel Gereklilikler

⚠ UYARI

Bu ürün Kaliforniya eyaleti tarafından kansere ve doğum kusurlarına veya diğer üreme rahatsızlıklarına neden olduğu bilinen kurşun dahil olmak üzere çeşitli kimyasallara maruz kalmanıza neden olabilir. Daha fazla bilgi için <https://www.p65warnings.ca.gov/> adresini ziyaret edin

<https://www.p65warnings.ca.gov/>

Güvenlik

ATMAYIN - KULLANICIYA VERİN

⚠ UYARI Bu ürünle birlikte verilen tüm güvenlik uyarılarını, talimatları, gösterimleri ve spesifikasyonları okuyun.

Aşağıda belirtilen tüm talimatlara uymamak, elektrik çarpmasına, yangına, maddi zarara ve/veya ciddi kişisel yaralanmaya yol açabilir.

Bütün uyarıları ve talimatları ileride kullanmak için saklayın.

⚠ UYARI Kurulum, kullanım ve bakıma ilişkin tüm yerel güvenlik kurallarına her zaman uyulmalıdır.

Kullanım Beyanı

- Sadece profesyonel kullanım içindir.

- Bu ürün ve parçalarının hiçbir şekilde tadil edilmemesi gerekir.
- Bu ürün hasar görmüşse kullanmayın.
- Ürün verileri veya tehlike uyarı işaretleri okunamaz hale gelirse veya sökülürse, zaman kaybetmeden yenileyin.
- Ürün endüstriyel bir ortamda sadece nitelikli personel tarafından kurulmalı, çalıştırılmalı ve servisi yapılmalıdır.

Kullanım Amacı

Bu ürün ancak bu kılavuzdaki talimat ve uyarıları okuyup anlamış olan ve eylemleri için sorumluluk kabul edebilen yetişkinler tarafından kullanılmak için tasarlanmıştır.

- Bu ürün, ahşap, metal veya plastik vidalı sabitleyicileri takmak ve sökmek için tasarlanmıştır.
- Sadece kapalı mekanda kullanım için.
- Ürünü yukarıda açıklanmamış olan diğer herhangi bir amaçla kullanmayın.
- Diğer her türlü kullanımı yasaktır.

Önerilen Piller

8940176068: CP36XP25

Önerilen şarj cihazı

8940176069: CP18-36CH

Önerilen reaksiyon çubuğu

Aletle birlikte verilen reaksiyon çubuğunu (7) kullanın. Diğer modeller için reaksiyon çubuğu belge referansı 6159923710'a başvurun

Genel Elektrikli Alet Güvenlik Uyarıları

⚠ UYARI Bu ürünle birlikte verilen tüm güvenlik uyarılarını, talimatları, gösterimleri ve spesifikasyonları okuyun.

Aşağıda belirtilen tüm talimatlara uymamak, elektrik çarpmasına, yangına, maddi zarara ve/veya ciddi kişisel yaralanmaya yol açabilir.

Bütün uyarıları ve talimatları ileride kullanmak için saklayın.

Uyarılardaki "elektrikli alet" terimi şebeke elektriği ile çalıştırılan (kablolu) elektrikli aletleri veya pil ile çalıştırılan (kablosuz) elektrikli aletleri içermektedir.

Çalışma alanının güvenliği

- Çalışma alanını temiz tutun ve iyi aydınlatın.** Dağınık veya karanlık alanlar kazalara davetiye çıkarır.
- Elektrikli aletleri yanıcı sıvılar, gazlar ya da tozların bulunduğu yerler gibi patlayıcı ortamlarda kullanmayın.** Elektrikli aletler, toz veya dumanları tutuşturabilecek kıvılcımlar çıkarır.
- Elektrikli aletleri kullanırken çocukları ve çevredeki-leri uzak tutun.** Dikkat dağınıklığı kontrolü kaybetmenize yol açabilir.

Elektrik güvenliği

- Elektrikli aletlerin fişi prizle uyumlu olmalıdır. Fişi kesinlikle hiçbir şekilde değiştirmeyin. Topraklanmış elektrikli aletlerle hiçbir adaptör fişini kullanmayın. Değiştirilmemiş fişler ve uygun prizler elektrik çarpması riskini azaltır.
- Borular, radyatörler, ocak ve buzdolapları gibi topraklanmış yüzeylere vücut temasından kaçının. Vücudunuz toprağa temas ediyorsa, elektrik çarpması riski daha yüksektir.
- Elektrikli aletleri yağmura ya da ıslak ortamlara maruz bırakmayın. Elektrikli bir alete su girmesi, elektrik çarpması riskini arttıracaktır.
- Kabloyu yanlış kullanmayın. Elektrikli aleti kablodan tutarak taşımayın, çekmeyin ya da prizden çıkarmayın. Kabloyu ısıdan, yağdan, keskin kenarlardan ya da hareketli parçalardan uzak tutun. Hasarlı ya da karışmış kablolar elektrik çarpması riskini artırır.
- Elektrikli bir aleti açık alanda kullanırken, açık havada kullanıma uygun bir uzatma kablosu kullanın. Açık alanda kullanım için uygun bir kablonun kullanılması, elektrik çarpması riskini azaltır.
- Elektrikli bir aletin nemli ortamda kullanımı kaçınılmazsa, bir artık akım cihazı (RCD) korumalı kaynak kullanın. Bir RCD kullanımı, elektrik çarpması riskini azaltır.

Kişisel güvenlik

- Elektrikli bir aleti kullanırken uyanık kalın, ne yaptığınıza dikkat edin ve sağduyunuzu kullanın. Elektrikli bir aleti yorgunken ya da uyuşturucu, alkol veya ilaç tedavisi etkisi altındayken kullanmayın. Elektrikli aletleri kullanırken bir anlık dikkatsizlik ciddi kişisel yaralanma ile sonuçlanabilir.
- Kişisel koruyucu donanım kullanın. Daima göz koruması takın. Uygun koşullar için toz maskesi, kaymayan güvenlik ayakkabıları, baret ya da kulaklık gibi koruyucu teçhizat kullanılması kişisel yaralanmaları azaltır.
- İstem dışı çalıştırmaları önleyin. Güç kaynağına ve/veya pil paketine bağlamadan, aleti kaldırmadan ya da taşımadan önce düğmenin kapalı konumda olduğundan emin olun. Elektrikli aletleri parmağınız düğme üzerinde olacak şekilde taşımak ya da açık konumdaki elektrikli aletleri elektriğe bağlamak kazalara davetiye çıkarır.
- Elektrikli aleti çalıştırmadan önce üzerindeki her türlü ayarlama anahtarını çıkartın. Elektrikli aletin dönen bir parçasının üzerinde kalan bir anahtar kişisel yaralanmalara neden olabilir.
- Ulaşılmaması güç yerlerde kullanmayın. Her zaman ayaklarınızı yere uygun bir şekilde basın ve dengenizi koruyun. Bu, beklenmeyen durumlarda elektrikli aletin daha iyi kontrol edilebilmesini sağlar.
- Uygun biçimde giyinin. Takı takmayın veya bol kıyafetler giymeyin. Saçınızı ve kolyenizi hareketli parçalardan uzak tutun. Bol giysiler, takılar veya uzun saç hareketli parçalara takılabilir.

- Cihazlar toz giderme ve toplama aletlerinin bağlanmasına uygunsuz, bunların bağlı olduklarından ve düzgün kullanıldığından emin olun. Toz toplayıcının kullanılması, tozla ilgili tehlikeleri azaltabilir.
- Aletlerin sıklıkla kullanımından edinilen aşinalığın rahatlamaya ve alet güvenliği prensiplerini gözardı etmenize yol açmasına izin vermeyin. Dikkatsizce yapılan bir işlem bir anda ciddi bir yaralanmaya neden olabilir.
- Bağlantı elemanının gizlenmiş bir kabloya temas edebileceği yerlerde kullanırken, elektrikli aleti yalıtılmış kavrama yüzeylerinden tutun. “Elektrikli” bir kabloya temas eden bağlantı elemanları, elektrikli aletin açıldığında metal parçalarını “elektrikli” hale getirebilir ve operatöre elektrik çarpmasına neden olabilir.

Elektrikli alet kullanımı ve bakımı

- Elektrikli aleti zorlamayın. Uygulamanız için doğru elektrikli aleti kullanın. Doğru elektrikli alet tasarlandığı hızda işi daha iyi ve daha güvenli yapacaktır.
- Açma ve kapama düğmesi çalışmıyorsa, elektrikli aleti kullanmayın. Düğme ile kontrol edilemeyen her elektrikli alet tehlikelidir ve mutlaka tamir edilmelidir.
- Herhangi bir ayarlama, aksesuar değişimi yapmadan ya da elektrikli aleti saklamadan önce fişi güç kaynağından ve/veya pil paketini elektrikli aletten çıkarın (çıkartılabiliyorsa). Bu tür önleyici güvenlik tedbirleri, elektrikli aletin kazayla çalışması riskini azaltır.
- Elektrikli aleti çocukların erişemeyeceği yerde saklayın ve elektrikli aleti veya bu talimatları bilmeyen kişilerin elektrikli aleti kullanmalarına izin vermeyin. Elektrikli aletler, eğitimsiz kullanıcıların ellerinde tehlikelidir.
- Elektrikli aletleri ve aksesuarları saklayın. Hareketli parçaların yanlış hizalanması veya bağlanması, parçaların kopması veya elektrikli aletin çalışmasını etkileyebilecek diğer herhangi bir durum için kontrol edin. Hasarlı ise, elektrikli aleti kullanmadan önce tamir ettirin. Çoğu kaza elektrikli aletlerin yetersiz bakımından kaynaklanır.
- Kesici aletleri, keskin ve temiz tutun. Bakımı düzgün yapılmış keskin ağızlı kesici aletlerin sıkışma ihtimali daha azdır ve kontrol etmesi daha kolaydır.
- Elektrikli aleti, aksesuarları ve parçaları vb. bu talimatlara uygun olarak, çalışma koşullarını ve yapılacak işi dikkate alarak kullanın. Elektrikli aletin amaçlanandan farklı işler için kullanılması tehlikeli durumlara neden olabilir.
- Tutamakları ve kavrama yüzeylerini kuru, temiz ve yağ ile gresten arındırılmış halde tutun. Kaygan tutamaklar ve kavrama yüzeyleri beklenmedik durumlarda aletin güvenli bir şekilde tutulmasını ve kontrolünü olanaksız kılar.

Pilli aletin kullanımı ve bakımı

- Sadece üretici tarafından belirtilen şarj cihazıyla şarj edin. Bir pil paketi türü için uygun olan şarj cihazı, başka bir pil paketi ile birlikte kullanıldığında yangın riski oluşturabilir.

- **Elektrikli aletleri sadece özellikle belirtilen pil paketleriyle kullanın.** Başka bir pil paketinin kullanılması yaralanma ve yangın riski oluşturabilir.
- **Pil paketi kullanılmadığında, bir terminalle diğer terminal arasında bağlantı oluşturabilecek kağıt ataçlar, bozuk paralar, anahtarlar, çiviler, vidalar gibi diğer küçük metal nesnelere uzak tutun.** Pil terminallerinin kısa devre yapılması, yanık veya yangına neden olabilir.
- **Kötü kullanım koşullarında, pilden sıvı çıkabilir; bu sıvıya temas etmeyin. Yanlışlıkla temas edilirse, suyla yıkayın. Sıvı gözlere temas ederse, tıbbi yardım alın.** Pilden çıkan sıvı, tahriş veya yanıklara neden olabilir.
- **Hasarlı veya değiştirilmiş bir pil paketini veya aleti kullanmayın.** Hasarlı veya değişiklik yapılmış batapiller yangına, patlamaya veya yaralanma riskine neden olan beklenmedik davranışlar gösterebilirler.
- **Bir pil paketini veya aleti yangın ya da aşırı sıcaklığa maruz bırakmayın.** Ateşe veya 130°C'nin üzerinde sıcaklığa maruz bırakmak patlamaya neden olabilir.
- **Tüm şarj etme talimatlarına uyun ve talimatlarda belirtilen sıcaklık aralığının dışında pil paketini veya aleti şarj etmeyin.** Uygun olmayan şekilde ya da belirtilen aralık dışındaki sıcaklıklarda şarj etmek pile zarar verebilir ve yangın riskini artırabilir.

Service

- **Elektrikli aletinizi, sadece orijinal yedek parça kullanan yetkili tamircilere servis ettirin.** Bu, elektrikli aletin güvenli bakımını sağlayacaktır.
- **Hasarlı pil paketlerine asla bakım yapmayın.** Pil paketlerinin bakımı sadece üretici veya yetkili servis sağlayıcılar tarafından yapılmalıdır.

Ürüne Özel Talimatlar

Uyarı!

Kısa devreden kaynaklanan yangın, yaralanma ve ürün hasarı riskini azaltmak için, aletinizi, batarya paketinizi veya şarj cihazınızı asla sıvıya batırmayın veya içine bir sıvı akmasına izin vermeyin. Örneğin deniz suyu, bazı endüstriyel kimyasallar ve çamaşır suyu veya çamaşır suyu içeren ürünler vs. gibi korozyon veya iletken sıvıları bir kısa devreye neden olabilir.

Özel Önlemler

- Makine sadece ilgili vidalı bağlantı uygulaması için uyarlanmış bağlantılı tork reaksiyon kolu ile birlikte kullanılabilir.
- Parmakların veya ellerin reaksiyon çubuğu ile iş parçası arasında sıkışması riskini en aza indirmek için çift tetik kullanın.

Genel Kurulum Güvenliği

Kurulumu sadece yetkili personele yaptırın.

Aleti güvenli bir şekilde asın, örneğin bir dengeleyici kullanın. Bir askı çatalını kullanırken, iyi durumda olduğundan ve doğru sıkıldığından emin olun.

Sistemi daima topraklı bir elektrik prizine bağlayın. Şebeke elektriği fişinin bağlı olmadığından ve aletin kablосunu takmadan ve sökmeden önce kontrolörün kapalı olduğundan daima emin olun.

Özel önlemler

⚠ UYARI Ezilme Tehlikesi

Çift tetik, kullanıcıyı aleti çalıştırmak için iki elini birden kullanmaya zorlar. Kullanılmadığı takdirde, operatör reaksiyon çubuğunu ayarlarken yanlışlıkla aleti çalıştırabilir ve bu durum ciddi bir el yaralanması ile sonuçlanabilir.

- ▶ Çift tetik serbest bırakıldıktan sonra aletin çalıştırılmayacağından emin olun.
- ▶ Her zaman önce Çift tetiğin tetiğini serbest bırakarak ve ardından aletin tetiğine bastırarak aleti test edin. Alet çalışmaya başlarsa; çalışmayı durdurun.

Genel Çalışma Güvenliği

- **Takılma riskinden dolayı, eldiven kullanmayın.**
- **Alet kullanılırken oluşabilecek reaksiyon kuvveti için hazırlıklı olun.** Son sıkma ve ilk gevşetme sırasındaki ani tork reaksiyonunun etkisini azaltmak için, her zaman aletin kolunu güvenli bir şekilde, mil dönüş yönünün tersine doğru destekleyin.
- **Tahriği, soketi veya tahrik uzatmasını asla tutmayın.**
- **Operatörler ve bakım personeli, aletin büyüklüğünü, ağırlığını ve gücünü fiziksel olarak taşıyabilecek durumda olmalıdır.**
- **Mümkünse, tepki torkunu absorbe etmek için bir süspansiyon kolu kullanın.** Eğer bu mümkün değilse, düz ve kabız aletler için yan tutamaklar önerilir; reaksiyon çubukları açılı somun sıkma aletleri için önerilir. Düz tip aletler için 4 Nm (3 lbf.ft) üzerinde, kabza tip aletler için 10 Nm (7.5 lbf.ft) üzerinde ve açılı somun sıkma aletleri için 60 Nm (44 lbf.ft) üzerinde reaksiyon torkunu absorbe edecek bir araç kullanılması tavsiye edilir.
- **Aşırı veya yetersiz torklu bağlantı elemanlarından dolayı ciddi yaralanmalar meydana gelebilir.** Belirli bir tork gerektiren tertibatlar bir tork ölçer kullanılarak kontrol edilmelidir. "Klik" tork anahtarı olarak adlandırılan anahtarlar, potansiyel olarak aşırı tork koşulları için kontrol edilmez. Aşırı veya yetersiz torklu bağlantı elemanları kırılabilir, gevşeyebilir veya kopabilir. Gevşetilen parçalardan fırlayabilir.
- **Sadece iyi durumdaki elektrikli veya darbeli soketler kullanın.** El soketlerini kullanmayın.
- **Operatör bir elektrikli aleti kullanırken ellerde, kollarında, omuzlarda, boyunda ve vücudun diğer kısımlarında rahatsızlık hissedebilir.** Çalışma günü boyunca uygun duruşlar arasında değiştirin, güvenli bir duruş sağlayın ve uygunsuz veya dengesiz duruşlardan kaçının.

- **Tekrarlı çalışma hareketleri, tuhaf pozisyonlar ve vibrasyona maruz kalma eller ve kollar için zararlı olabilir.** Ciltte duyarsızlık, karıncalanma, ağrı veya beyazlama olursa, aleti kullanmayı bırakın ve doktora başvurun.
- **Sınırlı alanlarda çalışırken dikkatli olun.** Ellerin alet ve iş parçası arasına sıkışmamasına dikkat edin.
- **Yüksek ses düzeyleri kalıcı işitme kaybına neden olabilir.** İşvereniniz tarafından veya meslek sağlığı ve güvenliği yönetmelikleriyle tavsiye edilen işitme korumasını kullanın.
- **İş parçasının sıkı bir şekilde bağlandığından emin olun.**
- **Ahşık olmadığınız ortamda dikkatli olun.** İş faaliyetinizin oluşturduğu potansiyel tehlikelere dikkat edin. Bu alet, elektrik gücü kaynakları ile temastan izole edilmemiştir.

Reaksiyon çubuğu ile birlikte kullanılan aletler: Alet kullanılırken elinizi asla reaksiyon kolunun yanına veya yakınına koymayın. Aleti çalıştırmadan önce lütfen milin dönüş yönüne dikkat edin, reaksiyon kuvveti beklenmedik bir yönde etki ederek ezilme yaralanmaları riskini beraberinde getirebilir.

Kavrama içeren aletler için: Kavramanın ayrıldığından emin olmadan ürünü asla kullanmayın. Kavramayı ayarladıktan hemen sonra doğru şekilde çalışıp çalışmadığını kontrol edin.

⚠ UYARI Yaralanma Riski

Doğru parametre dosyasının kullanıldığından emin olun. Yanlış parametre dosyası, bedensel yaralanmalara yol açabilecek çok yüksek torklara neden olabilir.

- ▶ Kontrolörde gösterilen maksimum torku, aletin teknik verilerinde belirtilen maksimum tork ile karşılaştırın, bunlar aynı olmalıdır.

Genel Talimatlar

Alet sadece ilgili vidalı bağlantı uygulaması için uyarlanmış ilişkili tork reaksiyon çubuğu ile birlikte kullanılabilir.

⚠ UYARI Ezilme Tehlikesi



6158716540 6158716530

Başlamadan önce aletin dönüş yönünü kontrol edin! Beklenmedik bir dönüş yönünde başlangıç bedensel yaralanmaya veya maddi zarara neden olabilir. Hareketli parçalar ezilme ve kesilmeye neden olabilir.

- ▶ Aleti çalıştırmadan önce aletin dönüş yönünün doğru olduğundan emin olun.
- ▶ Ellerinizi ve parmaklarınızı hareketli parçalardan uzak tutun.

Aletin çalıştırılması

1. Bu belgede açıklanan güvenlik talimatlarını izleyerek reaksiyon çubuğunu monte edin.

2. Bu belgede açıklanan güvenlik talimatlarını izleyerek aleti uygun bir prize takın.
3. Ayar düğmelerini (4) ve ekranı (3) kullanarak doğru modu ayarlayın.
4. Geri düğmesini (6) kullanarak doğru yönü seçin.
5. Bu belgede açıklanan güvenlik talimatlarını izleyerek aleti ve reaksiyon kolunu (7) konumlandırın.
6. İkinci tetiğe (1) basılı tutun.
7. Birinci tetiğe (2) basılı tutun.
8. İşlemin sonuna kadar tetiğe (1 ve 2) basılı tutun.
9. Raporlama LED'lerinde (5) çalışma durumunu kontrol edin. Yeşil (Tamam), Kırmızı (Tamam değil).

Akü

Bir süredir kullanılmayan akü paketlerinin kullanılmadan önce şarj edilmesi gerekir.

50°C'yi (122°F) aşan sıcaklıklar, akü paketinin performansını düşürür. Isı veya güneş ışınlarına uzun süre maruz kalmaktan kaçının (aşırı ısınma riski vardır).

Şarj cihazlarının ve akü paketlerinin kontaklarının temiz tutulması gerekir.

İdeal bir kullanım ömrü için akünün kullanıldıktan sonra tam şarj edilmesi gerekir. Akünün olabilecek en uzun süreli kullanım ömrüne sahip olması için, şarj olduğunda akü paketini şarj cihazından çıkartın.

Batarya paketinin, onu aşırı yüklenmeye karşı koruyan ve uzun bir ömre sahip olmasını sağlayan bir aşırı yüklenme koruması vardır. Batarya elektroniği, aşırı stres altında ürünü otomatik olarak kapatır. Yeniden başlatmak için, ürünü kapatıp tekrar açın. Ürün tekrar çalışmazsa, batarya paketi komple boşalmış olabilir. Bu durumda batarya şarj cihazında tekrar şarj edilmesi gerekir.

Bakım talimatları

- **Bütün bileşenlerin güvenli kullanım ve bertarafı hakkındaki yerel ülkenin çevre yönetmeliklerine uyun.**
- Bakım ve onarım çalışmaları ancak yetkili personel tarafından ve orijinal yedek parçalar kullanılarak gerçekleştirilmelidir. Teknik servis konusunda tavsiye için veya yedek parça gerektiğinde üretici veya size en yakın yetkili bayi ile irtibata geçin.
- Kazara çalışmasını önlemek için her zaman makinenin elektrik bağlantısının kesildiğinden emin olun.
- Alet her gün kullanılıyorsa, aleti her üç 3 ayda bir sökün ve inceleyin. Hasarlı veya aşınmış parçaları değiştirin.
- Plastik parçalara asla fren sıvıları, benzin, petrol bazlı ürünler, içeri sızan yağlar, vs. temas etmesine izin vermeyin. Kimyasallar, plastiğe zara verebilir, onu zayıflatabilir veya bozabilir ve bu da ağır yaralanmalara neden olabilir.
- Plastik parçaları temizlerken solvent kullanmaktan kaçının. Plastiklerin çoğu, farklı ticari solvent tiplerinden kaynaklanan hasara karşı hassastır ve bunların kullanılması sonucunda zarar görebilir. Kir, toz, yağ, gres yağı, vs. temizlemek için temiz bez kullanın.

İmha

- Bu ekipmanın bertarafı, ilgili ülkenin mevzuatına uymak zorundadır.
- Tüm hasarlı, fazla aşınmış veya düzgün şekilde çalışmayan cihazlar **DEVREDEDEN ÇIKARILMALIDIR**.

İşaretler ve Etiketler

Ürün, kişisel emniyete ve ürün bakımına ilişkin önemli bilgiler içeren işaretlerle ve etiketlerle donatılmıştır. İşaretler ve etiketler her zaman kolaylıkla okunabilmelidir. Yeni işaretler ve etiketler yedek parça listesi kullanılarak sipariş edilebilir.



s011050

Simgeler

Makine üzerinde herhangi bir işe başlamadan önce, akü paketini sökün.



Lütfen makineyi başlatmadan önce talimatları dikkatli bir biçimde okuyun.



Elektrikli aletleri evsel atık malzemeleriyle birlikte atmayın. Kullanım ömürleri dolmuş olan elektrikli aletler ve elektronik ekipmanlar ayrı toplanmalı ve çevre koruma açısından uygun bir geri dönüşüm tesisine geri gönderilmelidir. Geri dönüşüm önerileri ve toplama noktaları için bölgenizdeki yetkili makamlar veya bayinizle irtibata geçin.



Makineyi kullanırken her zaman koruyucu gözlük kullanın.

n₀

Yüksüz hız.

V

Volt

dk⁻¹

dakika başına



Doğru Akım



DİKKAT! UYARI! TEHLİKE!

Faydalı Bilgiler**Web sitesi**

Ürünlerimiz, Aksesuarlarımız, Yedek Parçalarımız ve Yayınlanmış Makalelerimizle ilgili bilgileri Chicago Pneumatic web sitesinde bulabilirsiniz.

Lütfen ziyaret edin: www.cp.com.

Menşei ülke

HUNGARY

Güvenlik Bilgi Formu

Güvenlik Bilgi Formları Chicago Pneumatic tarafından satılan kimyasal ürünleri tanımlamaktadır.

Daha fazla bilgi için lütfen Chicago Pneumatic web sitesini qr.cp.com/sds ziyaret edin.

Telif Hakkı

© Telif hakkı 2022, CHICAGO PNEUMATIC Tool Co.LLC, 1815 Clubhouse Road, Rock Hill, SC 29730 - USA

Tüm hakları saklıdır. İçeriğin veya bir kısmının her türlü yetkisiz kullanımı veya kopyalaması yasaktır. Bu özellikle ticari markalar, model adları, parça numaraları ve çizimler için geçerlidir. Sadece yetkili parçaları kullanın. Onaylanmamış parçaların kullanımı nedeniyle oluşan zararlar veya arızalar Garanti veya Ürün Sorumluluğu kapsamına girmez.

Технически данни**Описание на продукта**

Моля, вижте илюстрацията 2: Описание на продукта

- 1 Втори спусък
- 2 Основен спусък
- 3 Екран с дисплей
- 4 Бутони за настройки
- 5 Информационни светодиоди
- 6 Бутон за обратен ход
- 7 Реактивна шанга тип S (включена в доставката на инструмента)

Декларации**ЕС ДЕКЛАРАЦИЯ ЗА СЪОТВЕТСТВИЕ**

Ние, **CHICAGO PNEUMATIC Tool Co.LLC**, 1815 Clubhouse Road, Rock Hill, SC 29730 - USA, декларираме на своя лична отговорност, че този продукт (с наименование, тип и сериен номер, вижте предната страница) е в съответствие със следната(ите)

Директива(и):

2006/42/EC; 2011/65/UE; 2014/53/UE

Приложени хармонизирани стандарти: EN

62841-2-2:2014 + AC1:2015; EN 55014-1:2017+11:2020; EN 55014-2:2015; EN 61000-6-2:2019; EN 61000-6-3:2007 + A1:2011; EN 300328V222; EN 301489-17V324; EN 301489-1V223; EN 62311:2008; EN 62479:2010

Властите могат да поискат съответната техническа информация от:

Pascal Roussy, R&D Manager, Ets Georges Renault, 38 rue Bobby Sands, BP10273 44818 Saint Herblain, France

Saint-Herblain, 2022/01/26

Pascal ROUSSY

Подпис на издаващото лице

Декларация за шум и вибрации

- Ниво на звуково налягане < 72 dB(A) , несигурност 3 dB(A), в съответствие с EN 62841-2-2:2015.

- Ниво на звукова мощност < 83 dB(A) , несигурност 3 dB(A), в съответствие с EN 62841-2-2:2015.
- Обща вибрационна стойност < 2.5 m/s², несигурност 3 m/s², в съответствие с EN 62841-2-2:2015.

Тези декларираните стойности са получени при изпитвания от лабораторен тип в съответствие с посочените стандарти и са подходящи за сравнение с декларираните стойности на други инструменти, изпитвани в съответствие със същите стандарти. Тези декларираните стойности не са подходящи за използване при оценка на риска, тъй като стойностите, измерени на отделните работни места могат да бъдат по-високи. Действителните стойности на излагането на въздействие и рискът от увреждания, понасяни от отделния потребител са уникални и зависят от начина на работа на потребителя, вида на работата и конструкцията на работната станция, както и от времето на излагане и физическото състояние на потребителя.

Ние, CHICAGO PNEUMATIC Tool Co.LLC, не поемаме отговорност за последствията от използването на декларираните стойности, вместо на стойности, отразяващи действителното излагане на въздействие, при индивидуална оценка на риска в ситуация на реално работно място, над която нямаме контрол.

Този инструмент може да причини синдром на вибрации ръка-рамо, ако употребата му не бъде направлявана адекватно. ЕС упътване за управление на вибрации ръка-рамо можете да намерите, като посетите <http://www.pneurop.eu/index.php> и изберете 'Tools' (Инструменти), а след това - 'Legislation'.

Препоръчваме да бъде проведена програма за здравен надзор, чрез която да се определят ранните симптоми, отнасящи се до излагането на шум и вибрации, така че работните процедури да бъдат модифицирани с цел предотвратяване на бъдещи увреждания.

- i** Ако това оборудване е предназначено за фиксиращи приложения:
Емисията на шум е посочена като указание за изработващия машината. Данните за емисиите на шум и вибрации за цялата машина трябва да са посочени в ръководството за потребителя на машината.

Спецификации на безжичната комуникация

BLUETOOTH LOW ENERGY (ниска енергия) 4.2®

Честота: 2400 MHz – 2483,5 MHz

EIRP: <10 dBm (децибел-миливат)

Словната марка и логата Bluetooth® са регистрирани търговски марки, собственост на Bluetooth SIG, Inc.

Регионални изисквания

⚠ ПРЕДУПРЕЖДЕНИЕ

Този продукт може да ви изложи на контакт с химикали, включително олово, за което в щата Калифорния е известно, че причинява рак и вродени малформации или други вреди по отношение на възпроизводителната способност. За допълнителна информация посетете

<https://www.p65warnings.ca.gov/>

Безопасност

НЕ ИЗХВЪРЛЯЙТЕ – ПРЕДАЙТЕ НА ПОТРЕБИТЕЛЯ

⚠ ПРЕДУПРЕЖДЕНИЕ Прочетете всички предупреждения за безопасност, инструкции, илюстрации и спецификации, предоставени с този продукт.

Неспазването на всички инструкции посочени по-долу, може да доведе до токов удар, пожар, материални щети и/или сериозни наранявания.

Запазете всички предупреждения и инструкции за бъдеща справка.

⚠ ПРЕДУПРЕЖДЕНИЕ Трябва да се спазват всички местни законови разпоредби за безопасност относно инсталация, работа и поддръжка.

Декларация за употреба

- Само за професионална употреба.
- Този продукт и неговите принадлежности не могат да бъдат променяни по какъвто и да е начин.
- Не използвайте този продукт, ако е повреден.
- Ако означенията на данните на продукта или предупрежденията за опасност върху него престанат да бъдат четливи или се откачат, незабавно ги подменете.
- Продуктът трябва да бъде инсталиран, използван и обслужван единствено квалифицирани лица в индустриална среда.

Предназначение

Този продукт е предназначен за употреба единствено от пълнолетни лица, които са прочели и разбрали инструкциите и предупрежденията в настоящото ръководство и могат да се смятат за отговорни за действията си.

- Този продукт е предназначен за монтиране и отстраняване на резбовани винтове в дърво, метал или пластмаса.
- Употреба само на закрито.
- Не използвайте продукта за никакви цели, различни от описаните тук.
- Не се разрешава използването му за други цели.

Препоръчителни батерии

8940176068: CP36XP25

Препоръчително зарядно устройство

8940176069: CP18-36CH

Препоръчителна реактивна щанга

Използвайте реактивна щанга (7), включена в доставката на инструмента. За други модели направете справка с документа с референтен номер 6159923710.

Общи предупреждения за безопасност на електрически инструменти

⚠ ПРЕДУПРЕЖДЕНИЕ Прочетете всички предупреждения за безопасност, инструкции, илюстрации и спецификации, предоставени с този продукт.

Неспазването на всички инструкции посочени по-долу, може да доведе до токов удар, пожар, материални щети и/или сериозни наранявания.

Запазете всички предупреждения и инструкции за бъдеща справка.

Терминът "електрически инструмент" в предупрежденията се отнася за захранван от централната мрежа (с кабел) електрически инструмент или за такъв със захранване от батерия (без кабел).

Безопасност на работната зона

- **Поддържайте работната зона чиста и добре осветена.** Неподредените или тъмни работни зони предразполагат към инциденти.
- **Не използвайте електрически инструменти във взривоопасна обстановка, например в присъствие на запалими течности, газове или прах.** Инструментите генерират искри, които може да възпламенят праха или изпаренията.
- **Дръжте децата и страничните лица на разстояние, докато работите с електроинструменти.** Отвлечането на вниманието ви може да доведе до загуба на контрол.

Електрическа безопасност

- **Щепселите на електроинструмента трябва да съответстват на контакта. Не модифицирайте щепсела по никакъв начин. Не използвайте адаптери при заземени електроинструменти.** Немодифицираните щепсели и съответстващите контакти намаляват риска от токов удар.
- **Избягвайте контакт със заземени повърхности като тръби, радиатори, готварски печки и хладилници.** Съществува по-висок риск от токов удар, ако тялото ви е заземено.
- **Не излагайте електроинструментите на дъжд или влажни атмосферни условия.** Навлизането на вода в електрическия инструмент повишава риска от токов удар.
- **Не дърпайте и не усуквайте кабела. Не използвайте кабела за носене, дърпане или изключване на електрическия инструмент от контакта. Пазете кабела от нагряване,**

омазняване, остри ръбове или подвижни части. Повредените или заплетени кабели повишават риска от токов удар.

- **При работа с електроинструмента на открито използвайте разклонител, подходящ за работа на открито.** Използването на кабел, подходящ за работа на открито, намалява риска от токов удар.
- **Ако работата с електроинструмента във влажни условия е неизбежна, използвайте захранване с дефектнотокова защита (ДТЗ).** Употребата на ДТЗ намалява риска от токов удар.

Лична безопасност

- **Бъдете нащрек, внимавайте с действията си и използвайте здравия си разум при работа с електроинструмента. Не използвайте електрическия инструмент, когато усещате умора или сте под въздействието на наркотици, алкохол или лекарства.** Миг невнимание при работа с електрически инструменти може да доведе до сериозно нараняване.
- **Използвайте лични предпазни средства. Винаги носете предпазни очила.** Защитната екипировка като противопрахова маска, неплъзгащи се защитни обувки, каска и антифони, подходящи за условията, ще намалят риска от наранявания.
- **Предотвратявайте неволно включване. Уверете се, че превключвателят е в позиция "Изключено", преди да свързвате инструмента към захранването и/или батериите, да го повдигате или носите.** Носенето на електрически инструменти с пръст, поставен върху ключа, или подаването на захранване към електрически инструменти с превключвател на позиция "Включено" предразполага към инциденти.
- **Свалете всички затягащи или гаечни ключове, преди да включите електроинструмента.** Гаечен или регулиращ ключ, оставен на въртящата се част на електрическия инструмент, може да доведе до нараняване.
- **Не се протягайте твърде много. Дръжте краката си в подходящата позиция и пазете равновесие по всяко време.** Това позволява по-добър контрол върху електрическия инструмент при неочаквани ситуации.
- **Носете подходяща екипировка. Не носете свободни дрехи или бижута. Пазете косата и дрехите си далеч от движещите се части.** Свободните дрехи, бижутата или дългата коса могат да се закачат за подвижните части.
- **Ако са осигурени устройства за извличане и събиране на праха, се уверете, че те са свързани и се използват по предназначение.** Използването на устройства за събиране на прах намалява опасността от него.
- **Не позволявайте познанията, придобити от честото използване на инструменти, да бъдат предпоставка за игнориране на принципите за безопасна работа с инструменти.** Невниманието може да доведе до тежки наранявания в рамките на части от секундата.

- Дръжте електроинструмента за изолираната материя на дръжката, когато извършвате дейности, при които затягащото устройство може да влезе в контакт със скрити кабели. Когато крепежните елементи влязат в контакт с кабел под напрежение, могат да изложат металните части на електроинструмента на електрическо напрежение и да причинят токов удар на оператора.

Употреба и грижа за инструмента

- **Не прилагайте сила върху електроинструмента. Използвайте подходящия електрически инструмент за вашата работа.** Подходящият електрически инструмент ще работи по-добре и по-безопасно със скоростта, за която е конструиран.
- **Не използвайте електроинструмента, ако превключвателят не се включва и изключва.** Всеки инструмент, който не може да бъде управляван от превключвателя, е опасен и трябва да бъде поправен.
- **Извадете щепсела от захранването и/или пакета батерии, ако е разглобям, преди да извършвате всякакви настройки, смяна на аксесоари или да съхранявате електроинструментите.** Такива предпазни мерки намаляват риска от неволно включване на електрическия инструмент.
- **Съхранявайте електроинструментите далеч от деца и не позволявайте на лица, непознати с електроинструмента или с тези инструкции, да го използват.** Електрическите инструменти са опасни в ръцете на хора, необучени да ги ползват.
- **Поддържайте електрическите инструменти и техните принадлежности. Проверявайте за разминаване или слепване на подвижните части, пропускане на части или други състояния, които могат да повлияят върху работата на инструмента. Ако е повреден, електрическият инструмент трябва да бъде поправен преди употреба.** Много от инцидентите са причинени от зле поддържани електрически инструменти.
- **Пазете режещите инструменти остри и чисти.** Вероятността правилно поддържаните режещи инструменти с остри режещи ръбове да затегнат е по-малка и те се управляват по-лесно.
- **Използвайте електроинструмента, аксесоарите, крайниците и други съгласно тези инструкции, като имате предвид работните условия и работата, която ще бъде извършвана.** Употребата на електроинструмента за дейности, различни от предназначението му, може да доведе до опасни ситуации.
- **Пазете дръжките и повърхностите за захващане сухи и чисти, без масло и грес по тях.** Хлъзгавите дръжки и повърхности за захващане не позволяват безопасна работа и контрол върху инструмента в неочаквани ситуации.

Употреба и грижа за инструмента на батерии

- **Презареждайте само със зарядното устройство, определено от производителя.** Зарядно устройство, подходящо за един вид акумулаторен пакет, може да създаде риск от пожар, когато се използва с друг акумулаторен пакет.
- **Използвайте електроинструментите само с определените за тях пакети батерии.** Употребата на каквито и да било други пакети батерии може да създаде риск от наранявания или пожар.
- **Когато батериите не се използват, ги дръжте на разстояние от други метални предмети като кламери, монети, ключове, пирони, винтове и други малки метални предмети, които могат да създадат връзка от един терминал до друг.** Свързването на клемите на батерията накъсо може да предизвика изгаряния или пожар.
- **При неправилна експлоатация от батерията може да изтече течност; избягвайте контакт. При възникване на случаен контакт измийте с вода. Ако течността попадне в очите, потърсете и медицинска помощ.** Течността от батерията може да предизвика възпаление или изгаряния.
- **Не използвайте повредени или изменени батерии или инструменти.** Употребата на повредени или изменени батерии може да доведе до непредсказуеми ефекти, които могат да бъдат предпоставка за пожар, експлозия или риск от нараняване.
- **Не излагайте батериите или инструмента на огън или прекалено висока температура.** Излагането на огън или температура над 130 °C може да доведе до експлозия.
- **Следвайте всички инструкции за зареждане и не зареждайте батериите или инструмента извън температурния диапазон, посочен в инструкциите.** Неправилното зареждане или зареждане при температура извън посочения диапазон може да повреди батерията и да увеличи риска от пожар.

Сервизно обслужване

- **Обслужването на електроинструмента трябва да се извършва от квалифициран персонал, като се използват само идентични резервни части.** Това ще гарантира безопасността на инструмента.
- **Никога не обслужвайте повредени батерии.** Обслужването на батерии трябва да се извършва само от производителя или от оторизираните доставчици на услуги.

Инструкции за този продукт

Предупреждение!

За намаляване на риска от пожар, нараняване на хора и повреда на продукта поради късо съединение, никога не потапяйте Вашия инструмент, пакет батерии или зарядно устройство в течност и не допускайте проникването на течност в тях. Корозивни или проводими течности като морска

вода, някои промишлени химикали, белина или съдържащи белина продукти могат да предизвикат късо съединение.

Специални мерки за безопасност

- Машината може да се използва само заедно със съответния реакционен лост за абсорбиране на усукването, който е прикрепен към връзката на винта.
- Използвайте двойния спусък за намаляване на риска от заклещване на пръсти или ръце между реакционния лост и работния елемент.

Общи инструкции за безопасност при монтаж

Монтажът трябва да се извършва само от квалифициран персонал.

Окачете инструмента по сигурен начин, например с помощта на стабилизатор. Когато използвате скоба за окачване, се уверете, че тя е в добро състояние и е правилно затегната.

Винаги свързвайте системата към заземен контакт. Винаги се уверявайте, че кабелът за захранването е разкачен и че контролерът е изключен, преди да свържете или разкачите кабела на инструмента.

Специални мерки за безопасност

ПРЕДУПРЕЖДЕНИЕ Опасност от премазване

Двойният тригер принуждава ползвателя да използва двете си ръце, за да работи с инструмента. В случай, че не се използва, е възможно операторът случайно да задейства инструмента, докато регулира реакционния лост, което може да доведе до сериозно нараняване на ръцете.

- ▶ Уверете се, че инструментът не може да бъде задвижен след освобождаване на двойния тригер.
- ▶ Винаги тествайте инструмента, като първо освободите спусъка на двойния тригер и след това натиснете тригера на инструмента. Ако инструментът стартира, спрете работа.

Общи условия за безопасност при работа

- Поради риск от захващане не носете ръкавици.
- Бъдете готови за противодействаща сила, която ще е налице при използване на инструмента. Винаги придържайте ръкохватката на инструмента стабилно в посока, противоположна на въртенето на шпиндела, за да намалите внезапния реактивен въртящ момент при окончателното затягане и първоначалното разхлабване.
- Никога не хващайте механизма, гнездото или удължителя на механизма.
- Персоналът, работещ с инструмента и извършващ неговата поддръжка, трябва да бъде физически годен за работа с размерите, теглото и мощността на инструмента.

- Ако е възможно, използвайте рамото за окачване за абсорбиране на реактивния въртящ момент. Ако това не е възможно, страничните ръкохватки се използват при инструменти с прав корпус или винтоверти; реакционните лостове се използват за ъглови гайковерти. Препоръчва се използването на средство за абсорбиране на реактивния въртящ момент над 4 Nm (3 lbf.ft) при инструменти с прав корпус, над 10 Nm (7,5 lbf.ft) при винтоверти и над 60 Nm (44 lbf.ft) за ъглови гайковерти.
- Сериозни наранявания могат да бъдат причинени от пренатягане или недобро затягане на крепежните елементи. Сглобките, изискващи определено затягане, трябва да бъдат проверявани с динамометричен ключ. Така наречените „щракащи“ динамометрични ключове не проверяват за потенциално опасни условия на пренатягане. Пренатегнати или недобре затегнати крепежни елементи могат да се счупят, разхлабят или разделят. Възможно е разхлабените сглобки да се разхвърчат.
- Използвайте единствено вложки за електрически или ударни гайковерти в добро състояние. Не използвайте ръчни крайници за затягане.
- Когато използва електроинструмент, операторът може да почувства дискомфорт в дланите, ръцете, раменете, врата и други части на тялото. Сменяйте позицията си през работния ден, стъпвайте стабилно и избягвайте неудобен или небалансиран стоеж.
- Повтарящите се работни движения, неудобната поза и излагането на вибрации могат да причинят вреди на дланите и ръцете. Ако се появи вкочаняване, изтръпване, болка или побеляване на кожата, прекратете работа с инструмента и се консултирайте с лекар.
- Внимавайте при работа в тесни пространства. Внимавайте да не смачкате ръката си между инструмента и детайла.
- Високите нива на шум могат да причинят постоянна загуба на слуха. Използвайте шумозаглушителни предпазители за ушите, препоръчани от вашия работодател или разпоредбите за безопасност и трудова медицина.
- Уверете се, че обработваният детайл е захванат здраво.
- При работа в непозната обстановка подхождайте с внимание. Осъзнавайте евентуалните опасности, създадени от трудовата ви дейност. Този инструмент не е изолиран срещу контакт с източници на електрозахранване.

Инструменти, използвани заедно с реакционен лост:

Никога не поставяйте ръката си в близост до реакционния лост, докато инструментът е в експлоатация. Преди да включите инструмента, проверете посоката на въртене на вала, противодействащата сила може да се прояви в неочаквана посока с риск от притискане и нараняване.

При инструменти, които включват съединител:

Никога не използвайте продукта, без да сте се уверили, че съединителят е изключен. Незабавно след регулирането на съединителя проверете за правилна работа.

⚠ ПРЕДУПРЕЖДЕНИЕ Риск от наранявания

Уверете се, че използвате правилния файл с параметри. Погрешният файл с параметри може да създаде твърде висок въртящ момент, който да доведе до телесни наранявания.

- ▶ Сравнете максималния въртящ момент, показан на компютъра, с максималния въртящ момент, указан в техническите данни на инструмента. Те трябва да съвпадат.

Общи инструкции

Инструментът може да се използва само заедно със съответния лост за абсорбиране на въртящия момент, който е прикрепен към връзката на винта.

⚠ ПРЕДУПРЕЖДЕНИЕ Опасност от премазване

Преди стартиране проверете посоката на въртене на инструмента! Ако стартирате, без да сте наясно с посоката на въртене, това може да доведе до телесни наранявания или имуществени щети. Движещите се части могат да причинят смачкване и порязване.

- ▶ Уверете се, че посоката на въртене на инструмента е правилна, преди да започнете работа с него.
- ▶ Пазете ръцете и пръстите си далеч от движещите се части.

Работа с инструмента

1. Сглобете реактивната щанга, като следвате указанията за безопасност, описани в настоящия документ.
2. Оборудвайте инструмента с подходящ патронник, като следвате указанията за безопасност, описани в настоящия документ.
3. Задайте правилния режим с помощта на бутоните за настройки (4) и екрана с дисплей (3).
4. Изберете правилната посока с помощта на бутон за обратен ход (6).
5. Позиционирайте инструмента и реактивната щанга (7), като следвате указанията за безопасност, описани в настоящия документ.
6. Натиснете и задръжте натиска върху втория спусък (1).
7. Натиснете и задръжте натиска върху основния спусък (2).
8. Поддържайте натиска върху спусъците (1 и 2) до края на операцията.

9. Проверявайте статуса на работата с помощта на информационните светодиоди (5). Зелено (ОК), червено (Не е ОК).

Батерия

Пакетите батерии, които не са били използвани известно време, трябва да се презареждат преди употреба. Температури над 50°C (122°F) влошават експлоатационните показатели на пакета батерии. Да не се допуска продължително излагане на топлина или слънчева светлина (риск от прегряване). Контактите на зарядните устройства и на пакетите батерии трябва да се поддържат чисти. За оптимален експлоатационен живот пакетите батерии трябва да се зареждат напълно и след това да се използват. За да осигурите възможно най-дълъг експлоатационен живот на батерията, отделете пакета батерии от зарядното устройство, щом се зареди докрай.

Пакетът батерии има защита от претоварване, която го предпазва от това и помага за осигуряването на дълъг експлоатационен живот. При извънредно натоварване електрониката на батерията изключва продукта автоматично. За да рестартирате, изключете продукта и след това го включете отново. Ако продуктът не стартира отново, възможно е батериите в пакета да са се изтозили напълно. В такъв случай те трябва да се заредят със зарядното устройство.

Инструкции за поддръжка

- Следвайте екологичните разпоредби на съответната държава за безопасната употреба и изхвърляне на всички части.
- Работите по техническото обслужване и ремонта трябва да се извършват от квалифициран персонал с използване само на оригинални резервни части. Свържете се с производителя или с най-близкия официален търговски представител за съвети за техническо обслужване или ако се нуждаете от резервни части.
- Винаги проверявайте дали машината е изключена от електрическата мрежа, за да предотвратите случайно задействане.
- Разглобявайте и проверявайте инструмента на всеки 3 месеца, ако той се използва всеки ден. Подменяйте всички повредени или износени части
- Никога не допускайте пластмасови части да влизат в контакт със спирачна течност, бензин, нефтопродукти, проникващо масло и др. Химикалите могат да повредят, отслабят или унищожат пластмасата, което може да доведе до сериозно нараняване на хора.
- Не използвайте разтворители за почистване на пластмасови части. Повечето пластмаси са податливи на повреда от различни типове предлагани в търговската мрежа разтворители и могат да се повредят при използването на такива. За отстраняване на замърсяване, прах, масло, грес и др. използвайте чисти парцали.

Изхвърляне

- Изхвърлянето на настоящия уред трябва да се извърши съгласно законодателството на съответната страна.
- Всички повредени, силно износени или неправилно функциониращи уреди **ТРЯБВА ДА БЪДАТ СПРЕНИ ОТ ЕКСПЛОАТАЦИЯ.**

Знаци и стикери

Продуктът разполага със знаци и стикер, съдържащи важна информация за лична безопасност и поддръжка на продукта. Знаците и стикерите трябва винаги да бъдат лесни за четене. Могат да бъдат поръчани нови знаци и стикери чрез списъка на резервните части.



s011050

Символи



Извадете батерията, преди да започнете работа по машината.



Моля прочетете инструкциите внимателно, преди да пуснете машината.



Електрическите инструменти да не се изхвърлят заедно с битовите отпадъци. Електрическите инструменти и електронното оборудване, които са достигнали края на експлоатационния си живот, трябва задължително да се събират разделно и да се върнат в пункт за рециклиране съгласно изискванията за опазване на околната среда. Поискайте от Вашите местни власти или от търговеца съвети за рециклиране и адрес на събирателен пункт.



Винаги носете предпазни очила при използване на машината.

n₀

Обороти без товар.

V

Волтове

мин⁻¹

на минута



Постоянен ток



**ВНИМАНИЕ! ПРЕДУПРЕЖДЕНИЕ!
ОПАСНОСТ!**

Полезна информация

Уебсайт

Информация относно нашите продукти, аксесоари, резервни части и публикации можете да намерите на уебстраницата на Chicago Pneumatic.

Моля, посетете: www.cp.com.

Произход на продукта

HUNGARY

Страница с информация, свързана с безопасността

Страниците с данните, свързани с безопасността, описват химическите продукти, продавани от Chicago Pneumatic.

Моля, консултирайте се с уебстраницата на Chicago Pneumatic за допълнителна информация qr.cp.com/sds.

Авторско право

© Copyright 2022, CHICAGO PNEUMATIC Tool Co.LLC, 1815 Clubhouse Road, Rock Hill, SC 29730 - USA

Всички права запазени. Забранява се всяко неразрешено използване или копиране на съдържанието или част от него. Това се отнася в частност за търговски марки, названия на модела, номера на части и чертежи. Използвайте само оригинални резервни части. Повреди или неизправности вследствие на употреба на неоригинални части не се покриват от гаранцията или отговорността за вреди, причинени от продукта.

Tehnički podaci

Opis proizvoda

Molimo pogledajte ilustraciju 2: Opis proizvoda

- 1 Sekundarni okidač
- 2 Osnovni okidač
- 3 Prikazni zaslon
- 4 Gumbi za postavke
- 5 Dojavne LE diode
- 6 Gumb za unatrag
- 7 Reakcijski držač tipa s (isporučen s alatom)

Izjave

EU IZJAVA O SUKLADNOSTI

Mi, CHICAGO PNEUMATIC Tool Co.LLC, 1815 Clubhouse Road, Rock Hill, SC 29730 - USA, izjavljujemo pod vlastitom odgovornošću da je proizvod (naziv, tip i serijski broj, vidi naslovnu stranu) u skladu sa sljedećom(im) direktivom(ama):

2006/42/EC; 2011/65/UE; 2014/53/UE

Primijenjene usklađene norme: EN 62841-2-2:2014 + AC1:2015; EN 55014-1:2017+11:2020; EN 55014-2:2015; EN 61000-6-2:2019; EN 61000-6-3:2007 + A1:2011; EN 300328V222; EN 301489-17V324; EN 301489-1V223; EN 62311:2008; EN 62479:2010

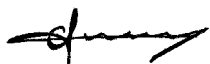
Nadležna tijela mogu zahtijevati relevantne tehničke podatke od:

Pascal Roussy, R&D Manager, Ets Georges Renault, 38 rue Bobby Sands, BP10273 44818 Saint Herblain, France

Saint-Herblain, 2022/01/26

Pascal ROUSSY

Potpis izdavatelja



Izjava o buci i vibracijama

- Razina zvučnog tlaka < 72 dB(A), nesigurnost 3 dB(A), u skladu s EN 62841-2-2:2015.
- Razina zvučne snage < 83 dB(A), nesigurnost 3 dB(A), u skladu s EN 62841-2-2:2015.
- Ukupna vrijednost vibracija < 2.5 m/s², odstupanje 3 m/s², u skladu s EN 62841-2-2:2015.

Ovdje navedene vrijednosti dobivene su ispitivanjima u laboratoriju u skladu s navedenim normama i prikladne su za usporedbu s navedenim vrijednostima drugih alata ispitanih u skladu s istim normama. Ovdje navedene vrijednosti nisu prikladne za uporabu u analizama rizika, a vrijednosti izmjerene na pojedinačnim radnim mjestima mogu biti veće. Stvarne vrijednosti izlaganja i rizik od štetnosti koja može postojati za pojedinačnog korisnika su jedinstvene i ovise o načinu rada korisnika, radnom komadu i konstrukciji radne stanice te o vremenu izlaganja i fizičkom stanju korisnika.

Mi, **CHICAGO PNEUMATIC Tool Co.LLC**, ne možemo se smatrati odgovornima za posljedice uporabe navedenih vrijednosti umjesto vrijednosti koje odražavaju stvarno izlaganje u pojedinačnoj procjeni rizika na radnom mjestu nad kojim nemamo nadzor.

Ovaj alat može izazvati sindrom vibriranja ruke ako se njime ne rukuje na odgovarajući način. Vodič EU-a o upravljanju vibriranjem ruke možete pronaći tako da pristupite <http://www.pneurop.eu/index.php> i odaberete 'Tools (Alati)', a zatim 'Legislation (Zakonodavstvo)'.

Preporučujemo program nadzora zdravlja da se uoče rani simptomi koji mogu biti povezani s izlaganjem buci ili vibracijama tako da se mogu izmijeniti postupci upravljanja vibracijama kako bi se spriječilo buduće oštećenje zdravlja.

- i** Ova oprema namijenjena je za postupke pričvršćivanja: Emisije buke navedene su kao vodič projektantima strojeva. Podaci o emisiji buke i vibracija za cijeli stroj trebaju se navesti u uputama za uporabu stroja.

Specifikacije bežične komunikacije

BLUETOOTH MALE POTROŠNJE ENERGIJE 4.2®

Frekvencija: 2400 MHz - 2483,5MHz

EIRP: < 10 dBm

Bluetooth® verbalni žig i logotipi su registrirani zaštitni znakovi u vlasništvu tvrtke Bluetooth SIG, Inc

Lokalni uvjeti

⚠ POZOR

Ovaj proizvod može vas izložiti kemikalijama, uključujući olovo, a prema državi Kaliforniji, olovo može prouzročiti rak i urođene mane ili druge probleme spolnog sustava. Za više informacija idite na <https://www.p65warnings.ca.gov/>

Sigurnost

NE BACAJTE – PREDAJTE KORISNIKU

⚠ POZOR Pročitajte sva sigurnosna upozorenja, sve upute, ilustracije i specifikacije isporučene uz ovaj proizvod.

Ako se ne pridržavate svih dolje navedenih uputa, može doći do strujnog udara, požara, imovinske štete i/ili teške ozljede.

Spremite sva upozorenja i sve upute za buduću uporabu.

⚠ POZOR Uvijek se morate pridržavati lokalnih zakonskih sigurnosnih propisa o ugradnji, radu i održavanju.

Izjava o uporabi

- Samo za profesionalnu uporabu.
- Ovaj proizvod i njegov pribor ne smiju se mijenjati ni na koji način.
- Ne upotrebljavajte ovaj proizvod ako je bio oštećen.
- Ako podaci o proizvodu ili znakovi upozorenja o opasnosti na proizvodu više nisu čitljivi ili otpadnu, odmah ih zamijenite.
- Rukovanje proizvodom, te njegovo ugrađivanje i servisiranje je dozvoljeno samo kvalificiranom osoblju u industrijskom okruženju.

Namjena

Ovaj proizvod smiju koristiti samo odrasli koji su pročitali i razumjeli upute i upozorenja u ovom priručniku te mogu odgovorno obavljati svoje zadatke.

- Ovaj je proizvod projektiran za ugradnju i uklanjanje navojnih stezača u drvetu, metalu ili plastici.
- Uporaba samo u unutarnjem prostoru.
- Nemojte koristiti proizvod ni za koju drugu svrhu koja nije opisana.
- Nije dopuštena druga uporaba

Preporučene baterije

8940176068: CP36XP25

Preporučeni punjač

8940176069: CP18-36CH

Preporučeni reakcijski držač

Rabite reakcijski držač (7) ispučen s alatom. Za druge modele navedenog reakcijskog držača reference su u dokumentu 6159923710

Opća sigurnosna upozorenja o električnim alatima

⚠ POZOR Pročitajte sva sigurnosna upozorenja, sve upute, ilustracije i specifikacije isporučene uz ovaj proizvod.

Ako se ne pridržavate svih dolje navedenih uputa, može doći do strujnog udara, požara, imovinske štete i/ili teške ozljede.

Spremite sva upozorenja i sve upute za buduću uporabu.

Izraz "električni alat" u upozorenjima odnosi se na električni alat pogonjen mrežnim naponom (žični) ili na električni alat na baterijski pogon (bežični).

Sigurnost radnog područja

- **Radni prostor održavajte čistim i dobro osvijetljenim.** Neuredna ili neosvijetljena područja mogu biti izvor nesreće.
- **Ne radite s električnim alatima u eksplozivnim atmosferama, npr. u prisutnosti zapaljivih tekućina, plinova ili prašine.** Električni alati mogu stvarati iskre koje mogu zapaliti prašinu ili pare.
- **Tijekom rada s električnim alatom djecu i promatrače držite podalje.** Odvlačenje vaše pažnje može uzrokovati gubitak kontrole nad alatom.

Električna sigurnost

- **Utikači električnih alata moraju odgovarati utičnici.** Nikad ne vršite nikakve izmjene utikača. Ne upotrebljavajte adapterske utikače s uzemljenim električnim alatima. Neizmijenjeni utikači i odgovarajuće utičnice smanjuju opasnost od električnog udara.
- **Izbjegavajte fizički kontakt s uzemljenim površinama kao što su npr. cijevi, radijatori, štednjaci i hladnjaci.** Postoji povećani rizik od strujnog udara ako je tijelo uzemljeno.
- **Ne izlažite električne alate kiši ili vlazi.** Voda koja prodire u alat povećava opasnost od strujnog udara.
- **Ne djelujte silom na kabel.** Nikada ne upotrebljavajte kabel za nošenje, vuču ili izvlačenje utikača električnog alata. Držite kabel daleko od topline, ulja, oštih rubova ili pokretnih dijelova. Oštećeni ili zapetljani kabeli povećavaju rizik od strujnog udara.
- **Kad s električnim alatima radite vani upotrijebite produžni kabel prikladan za vanjsku uporabu.** korištenje kabela prikladnog za vanjsku uporabu smanjuje opasnost od električnog udara.
- **Ako ne možete izbjeći rad s električnim alatom na vlažnoj mjestu, upotrijebite napajanje opremljeno zaštitnom strujnom sklopkom (FID).** Primjena zaštitne strujne sklopke (FID) smanjuje opasnost od električnog udara.

Osobna sigurnost

- **Budite uvijek oprezni, gledajte što radite i budite razboriti prilikom rada električnim alatom.** Ne koristite električni alat kad ste umorni ili pod utjecajem narkotika, alkohola ili lijekova. Trenutak nepažnje pri radu s električnim alatom može rezultirati teškom tjelesnom ozljedom.

- **Upotrijebite osobnu zaštitnu opremu.** Uvijek nosite zaštitne naočale. Zaštitna oprema kao što je maska za prašinu, protuklizne zaštitne cipele, kaciga ili zaštitna sluha primijenjena u odgovarajućim uvjetima smanjuje ozljede.
- **Spriječite nenamjerno pokretanje.** Provjerite je li sklopka u položaju "Isključeno" prije nego što spojite alat na izvor napajanja i/ili na baterije ili prije nošenja alata. Nošenje električnih alata s prstom na sklopki ili priključivanje napajanja na električne alate kod kojih je sklopka u položaju "Uključeno" može uzrokovati nesreće.
- **Uklonite sve zatike ili ključeve za namještanje prije uključivanja alata.** Ključ koji je ostane pričvršćen za rotirajući dio alata može rezultirati tjelesnom ozljedom.
- **Nemojte se predaleko naginjati.** Uvijek održavajte čvrsto uporište i stabilan stav. To vam omogućuje bolju kontrolu električnog alata u neočekivanim situacijama.
- **Nosite prikladnu odjeću.** Ne nosite široku odjeću ili nakit. Držite kosu i odjeću podalje od pokretnih dijelova. Široka odjeća, nakit i duga kosa može biti zahvaćena pokretnim dijelovima.
- **Ako su uređaji opremljeni priključkom za uređaje za odvođenje i prikupljanje prašine, osigurajte priključivanje i pravilnu uporabu istih.** Uporaba uređaja za prikupljanje prašine može smanjiti opasnosti u vezi s prašinom.
- **Nemojte dozvoliti da vam poznavanje alata, uslijed njegova čestog korištenja, dade lažnu sigurnost na način da zanemarite načela sigurnog rada s alatom.** Nepažljiva radnja može dovesti do teške ozljede u djeliću sekunde.
- **Držite električni alat za izolirane prihvatne površine kada obavljate rad pri kojem učvršćeni element može dotaknuti skriveno ožičenje.** Sredstva za pričvršćivanje koja dotaknu žicu "pod naponom" time mogu dovesti "pod napon" izložene metalne dijelove električnog alata i rukovatelj može doživjeti strujni udar.

Uporaba i održavanje električnih alata

- **Nemojte primjenjivati prejaku silu na električni alat.** Upotrijebite ispravan električni alat za vaš zadatak. Ispravan električni alat bolje i sigurnije će obaviti posao pri brzini za koju je predviđen.
- **Ne upotrebljavajte električni alat ako se sklopka ne uključuje i isključuje.** Svaki električni alat koji se ne može kontrolirati pomoću sklopke je opasan i treba ga popraviti.
- **Izvučite utikač iz utičnice napajanja i/ili odvojite električni alat od baterija prije vršenja bilo kakvih namještanja, promjene dodatne opreme ili skladištenja električnog alata.** Takve preventivne sigurnosne mjere smanjuju opasnost od slučajnog pokretanja električnog alata.
- **Električne alate koje ne upotrebljavate skladištite na mjestu nedostupnom djeci i ne dopuštajte osobama koje nisu upoznate s radom električnim alatom ili**

ovim uputama da rukuju električnim alatom. Električni alati su opasni u rukama neosposobljenih korisnika.

- **Održavajte električne alate i pribor. Provjerite otklon ili zaglavljenu pokretnost dijelova, lom dijelova ili druga stanja koja mogu utjecati na rad električnog alata. Ako je električni alat oštećen, dajte ga popraviti prije uporabe.** Mnoge nesreće uzrokuju loše održavani električni alati.
- **Održavajte alate za rezanje oštroma i čistima.** Vjerojatnost blokiranja pravilno održavanih alata za rezanje s oštrim reznim rubovima je manja i lakše ih je kontrolirati.
- **Upotrijebite električni alat, dodatnu opremu i nastavke, itd. u skladu s tim uputama, uzimajući u obzir radne uvjete i rad koji treba izvršiti.** Uporaba električnog alata za radove koji odstupaju od predviđenih može uzrokovati opasnu situaciju.
- **Ručke i prihvatne površine održavajte suhima, čistima i podalje od ulja i masnoća.** Klizave ručke i prihvatne površine ne omogućavaju sigurno rukovanje i kontrolu nad alatom u izvanrednim situacijama.

Uporaba i njega alata na bateriju

- **Punite samo punjačem koji je naveo proizvođač.** Punjač prikladan za jednu vrstu baterije može značiti opasnost od požara ako se upotrebljava s drugom vrstom baterije.
- **Upotrebljavajte električne alate samo s navedenim baterijama.** Uporaba drugih baterija može stvoriti opasnost od ozljede ili požara.
- **Kada se baterija ne upotrebljava, držite je podalje od drugih metalnih predmeta poput spajalica za papir, kovanica, ključeva, čavala, vijaka ili drugih malih metalnih predmeta koji mogu spojiti jedan terminal s drugim.** Kratko spajanje terminala baterije može izazvati opekline ili požar.
- **U uvjetima zloupotrebe, tekućina može prskati iz baterije; izbjegavajte kontakt. Ako dođe do slučajnog kontakta, isperite vodom. Ako tekućina dođe u kontakt s očima, zatražite i liječničku pomoć.** Tekućina koja prska iz baterije može izazvati nadraženost ili opekline.
- **Nemojte koristiti baterije ili alat koji su oštećeni ili modificirani.** Oštećene ili modificirane baterije mogu nepredviđeno reagirati i dovesti do požara, eksplozije ili opasnosti po nastanak ozljeda.
- **Nemojte izlagati baterije ili alat požaru ili previsokoj temperaturi.** Izlaganje požaru ili temperaturi iznad 130 °C može prouzročiti eksploziju.
- **Pridržavajte se svih uputa za punjenje i nemojte puniti baterije ili alat izvan raspona temperature određenog u uputama.** Nepravilno punjenje, ili punjenje pri temperaturama izvan određenog raspona, može oštetiti bateriju i povećati opasnost od požara.

Servis

- **Svoj električni alat predajte na servisiranje osobi kvalificiranoj za vršenje popravaka uz uporabu identičnih rezervnih dijelova.** To će osigurati održavanje sigurnosti električnog alata.
- **Nemojte nikada servisirati oštećene baterije.** Servis baterija trebao bi obavljati isključivo proizvođač ili ovlaštenu servisnu službu.

Upute specifične za proizvod

Upozorenje!

Za manji rizik od požara, ozljede i oštećenja proizvoda zbog kratkog spoja, nikada nemojte uranjati alat, baterije ni punjač u fluid i spriječite prodiranje fluida u njih. **Korozivni ili provodljivi fluidi, poput morske vode, određenih industrijskih kemikalija, izbjeljivača i proizvoda koji sadrže izbjeljivače, itd., mogu izazvati kratki spoj.**

Posebne mjere

- Uređaj se može isključivo koristiti zajedno s pridruženom polugom za kompenzaciju zakretnog momenta koja je prilagođena primjeni na tom vijčanom spoju.
- Rabite dvostruki okidač kako bi se smanjila opasnost od hvatanja prstiju između reakcijske šipke i radnog dijela.

Opća sigurnost pri ugradnji

Povjerite ugradnju samo kvalificiranom osoblju.

Čvrsto objesite alat, na primjer upotrebom podupirača. Kada upotrebljavate ovesjni držač, provjerite da je u dobrom stanju i ispravno pričvršćen.

Sustav uvijek spojite na uzemljenu utičnicu. Uvijek pazite da odspojite mrežni utikač i da isključite upravljač prije spajanja ili odspajanja kabela za alat.

Posebne mjere

POZOR Opasnost od prignječenja

Dvostruki okidač korisnika prisiljava da koristi obje ruke prilikom rada s alatom. Ako se ne koristi, rukovatelj može slučajno pokrenuti alat prilikom podešavanja reakcijskog držača, što može rezultirati ozbiljnom ozljedom ruke.

- ▶ Uvjerite se da se alat ne može pokrenuti kad se otpusti Dvostruki okidač.
- ▶ Uvijek prvo ispitajte alat tako što ćete otpustiti okidač na Dvostrukom okidaču i potom pritisnuti okidač na alatu. Ako se alat pokrene, prekinite s radom.

Opća radna sigurnost

- **Zbog opasnosti od zaplitanja, ne nosite rukavice.**

- **Pripremite se na silu reakcije koja se pojavljuje pri uporabi alata.** Ručku alata uvijek poduprite na siguran način, u smjeru suprotnom od rotacije osovine, da biste smanjili efekte iznenadne zakretne reakcije tijekom završnog zatezanja i početnog otpuštanja.
- **Nikada ne držite pogon, nastavak ili produžetak pogona.**
- **Rukovatelji i osoblje za održavanje moraju biti u stanju fizički podnijeti veličinu, težinu i snagu ovog alata.**
- **Po mogućnosti upotrijebite ovjesnu ruku da apsorbira zakretnu reakciju. Ako to nije moguće, preporučujemo bočne ručke za alate s ravnim kućištem i pištoljastom drškom; preporučujemo reakcijske držače za kutne zatezače matica.** Preporučujemo da za reakcijski moment veći od 4 Nm (3 lbf.ft) u slučaju alata s ravnim kućištem, veći od 10 Nm (7,5 lbf.ft) u slučaju alata s pištoljastom drškom, odnosno veći od 60 Nm (44 lbf.ft) u slučaju kutnih zatezača matica upotrijebite neku metodu apsorpcije.
- **Zbog prejako ili preslabo zategnutih stezača može doći do teške ozljede.** Sklopovi koji zahtijevaju određeni moment moraju se provjeravati momentnim ključem. Takozvani "klik" momentni ključevi ne provjeravaju potencijalno opasna stanja prevelike zategnutosti. Prejako ili preslabo zategnuti stezači mogu puknuti, otpustiti se ili razdvojiti. Otpušteni sklopovi mogu postati projektili.
- **Koristite samo pneumatske ili udarne ključeve u dobrom stanju.** Nemojte koristiti ručne nastavke.
- **Kada upotrebljava pneumatski alat, rukovatelj može osjetiti neugodu u rukama, ramenima, vratu ili drugim dijelovima tijela.** Mijenjajte odgovarajuće položaje tijekom radnog dana, zadržavajući siguran stav i izbjegavajući neprikladne položaje ili položaje koji su van ravnoteže.
- **Radni pokreti koji se ponavljaju, neugodni položaji i izloženost vibracijama mogu biti štetni za šake i ruke.** Ako se pojavi ukočenost, zujanje u ušima, bol ili bijeljenje kože, prestanite s uporabom alata i potražite savjet liječnika.
- **Obratite pažnju kada radite u tijesnim prostorima.** Pazite da ne prignječite šake između alata i radnog komada.
- **Visoke razine zvuka mogu prouzročiti trajno oštećenje sluha.** Upotrijebite zaštitu za uši prema preporukama poslodavca ili u skladu s propisima o sigurnosti na radu i zaštiti zdravlja.
- **Pazite da radni komad bude dobro pričvršćen.**
- **U nepoznatim sredinama radite pažljivo.** Vodite računa o mogućim opasnostima koje možete izazvati svojim radom. Ovaj alat nije izoliran u slučaju kontakta s izvorima električnog napajanja.

Alati koji se koriste zajedno s reakcijskom šipkom:

Nikada ne stavljajte ruku na reakcijski držač ili blizu njega dok upotrebljavate alat. Budite svjesni smjera okretanja vretena prije nego što pokrenete alat zato što sila reakcije može djelovati u neočekivanom smjeru i postoji opasnost od nagnječjenja.

Alati koji sadrže spojku: Nikada ne upotrebljavajte proizvod ako niste provjerili da se spojka otpušta. Odmah nakon podešavanja spojke provjerite pravilnost rada.

⚠ POZOR Opasnost od ozljede

Provjerite koristite li odgovarajuću parametarsku datoteku. Pogrešna parametarska datoteka može uzrokovati prevelik moment zakretanja i dovesti do tjelesnih ozljeda.

- ▶ Usporedite maksimalni zakretni moment koji je prikazan na upravljaču, s maksimalnim zakretnim momentom navedenim u postojećim tehničkim podacima za alat. Trebali bi biti isti.

Opće upute

Alat se može isključivo koristiti zajedno s pridruženim reakcijskim držačem za apsorpciju reakcijskog momenta koji je prilagođen za primjenu na tom vijčanom spoju.

⚠ POZOR Opasnost od prignječjenja



Prije početka rada provjerite smjer okretanja alata! Pokretanje u neočekivanom smjeru okretanja može prouzročiti tjelesnu ozljedu ili imovinsku štetu. Pokretni dijelovi mogu vam zdrobiti i poseći dijelove tijela.

- ▶ Uvjerite se prije pokretanja alata da je smjer njegova okretanja ispravan.
- ▶ Držite ruke i prste dalje od pokretnih dijelova.

Rad s alatom

1. Montirajte reakcijski držač slijedeći sigurnosne upute opisane u ovom dokumentu.
2. Alat postavite pomoću odgovarajućeg nastavka slijedeći sigurnosne upute opisane u ovom dokumentu.
3. Postavite ispravan način rada pomoću gumba za postavke (4) i prikaznog zaslona (3).
4. Izaberite pravi smjer pomoću gumba za unatrag (6).
5. Postavite alat i reakcijski držač (7) slijedeći sigurnosne upute opisane u ovom dokumentu.
6. Pritisnite i držite pritisnutim sekundarni okidač (1).
7. Pritisnite kraj i držite pritisnutim osnovni okidač (2).
8. Držite pritisnutim okidače (1 i 2) do kraja postupka.
9. Provjerite radni status na dojavnim LE diodama (5). Zelena (U redu), crvena (Nije u redu).

Baterija

Baterije koje neko vrijeme nisu korištene prije uporabe treba ponovno napuniti.

Temperature koje prelaze 50 °C (122 °F) smanjuju performanse baterija. Izbjegavajte dugo izlaganje vrućini ili sunčevom svjetlu (opasnost od pregrijavanja).

Kontakte punjača i baterija treba držati čistima.

Za optimalni vijek trajanja, nakon korištenja baterije treba

potpuno napuniti. Kako bi se postigao maksimalno dugi vijek trajanja baterije, uklonite baterije iz punjača nakon što budu potpuno napunjene.

Baterije imaju zaštitu od prepunjavanja koja štiti od prekomjernog punjenja i doprinosi duljem vijeku trajanja. Po ekstremnom opterećenju elektronika baterije automatski isključuju proizvod. Za ponovno pokretanje isključite proizvod i ponovno ga uključite. Ako se proizvod ponovno ne pokrene, možda će se baterije potpuno isprazniti. U tom slučaju mora s napuniti punjačem baterija.

Upute za održavanje

- **Pridržavajte se lokalnih ekoloških propisa u državi za sigurno rukovanje i zbrinjavanje svih dijelova.**
- Održavanje i popravak mora izvesti kvalificirano osoblje koristeći samo originalne pričuvne dijelove. Kontaktirajte s proizvođačem ili najbližim ovlaštenim trgovcem kako ako vam treba savjet, tehnička podrška ili zamjenski dijelovi.
- Uvijek se uvjerite da je stroj isključen iz izvora napajanja kako biste izbjegli neželjeno uključivanje.
- Rastavite i pregledajte alat svaka 3 mjeseca ako ga koristite svakodnevno. Zamijenite oštećene ili istrošene dijelove.
- Nikada ne dopustite da kočne tekućine, benzin, proizvod na bazi petroleja, prodiruća ulja, itd. dođu u kontakt s plastičnim dijelovima. Kemikalije mogu oštetiti, oslabjeti ili uništiti plastiku, što može dovesti do ozbiljne osobne ozljede.
- Izbjegavajte koristiti otapala kod čišćenja plastičnih dijelova. Većinu plastika mogla bi uništiti različita komercijalna otapala te se mogu oštetiti njihovom uporabom. Čistom krpom uklonite prljavštinu, prašinu, ulje, mast, itd.

Zbrinjavanje

- Odlaganje ove opreme mora biti u skladu sa zakonima dotične zemlje.
- Svi oštećeni, jako istrošeni ili nepravilno uređaji koji ne funkcioniraju pravilno **MORAJU SE IZBACITI IZ UPORABE.**

Znakovi i naljepnice

Proizvod ima znakove i naljepnice koje sadrže važne informacije o osobnoj sigurnosti i održavanju proizvoda. Znakovi i naljepnice uvijek moraju biti dobro čitljivi. Možete naručiti nove znakove i naljepnice u skladu s popisom zamjenskih dijelova.



s011050

Simboli



Uklonite bateriju prije početka bilo kojeg rada na stroju.



Pažljivo pročitajte upute prije pokretanja stroja.



Nemojte zbrinjavati električni alat zajedno s otpadom iz domaćinstva. Električni alat i elektroničku opremu koji su dostigli kraj njihova vijeka treba sakupiti zasebno i vratiti postrojenju za ekološki sigurnu reciklažu. Od lokalnih nadležnih službi ili prodavaonica saznajte informacije o reciklaži i mjestu sakupljanja.



Uvijek nosite zaštitne naočale kada koristite stroj.

n₀

Nema brzine punjenja.

V

Volti

min⁻¹

po minuti



Istosmjerna struja



OPREZ! UPOZORENJE! OPASNOST!

Korisne informacije

Web stranica

Informacije o proizvodima, priboru, zamjenskim dijelovima i izdanjima možete pronaći na našoj internetskoj stranici Chicago Pneumatic.

Posjetite web mjesto: www.cp.com.

Zemlja podrijetla

HUNGARY

Sigurnosno-tehnički list

Sigurnosno-tehnički list opisuje kemijske proizvode koje prodaje Chicago Pneumatic.

Za više informacija o tvrtki Chicago Pneumatic posjetite web stranicu qr.cp.com/sds.

Autorsko pravo

© Autorsko pravo 2022, CHICAGO PNEUMATIC Tool Co.LLC, 1815 Clubhouse Road, Rock Hill, SC 29730 - USA

Sva su prava pridržana. Zabranjena je svaka neovlaštena uporaba ili kopiranje sadržaja ili njegovog dijela. To se posebno odnosi na zaštitne znakove, oznake modela, brojeve dijelova i crteže. Upotrebjavajte samo odobrene dijelove. Jamstvo ili odgovornost za proizvod ne obuhvaćaju bilo kakva oštećenja ili kvarove izazvane uporabom neodobrenih dijelova.

Tehnilised andmed

Toote kirjeldus

Palun vaadake illustratsiooni 2: Toote kirjeldus

1 Teine päästik

- 2 Põhipäästik
- 3 Ekraan
- 4 Seadenupud
- 5 LED-märgutuled
- 6 Vastassuuna nupp
- 7 Reaktsioonivarras, S-tüüp (tööriistaga kaasas)

Deklaratsioon

EL-I VASTAVUSDEKLARATSIOON

Meie, CHICAGO PNEUMATIC Tool Co.LLC, 1815 Clubhouse Road, Rock Hill, SC 29730 - USA, deklareerime oma täielikul vastutusel, et toode (mille nime, tüübi ja seeri-
anumbri leiate esilehelt) on vastavuses järgmis(t)e direktiivi(de)ga:

2006/42/EC; 2011/65/UE; 2014/53/UE

Kohalduvad ühtlustatud standardid: EN 62841-2-2:2014 + AC1:2015; EN 55014-1:2017+11:2020; EN 55014-2:2015; EN 61000-6-2:2019; EN 61000-6-3:2007 + A1:2011; EN 300328V222; EN 301489-17V324; EN 301489-1V223; EN 62311:2008; EN 62479:2010

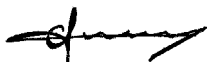
Ametiasutused võivad nõuda asjakohast tehnilist teavet, mille peab saatma:

Pascal Roussy, R&D Manager, Ets Georges Renault, 38 rue Bobby Sands, BP10273 44818 Saint Herblain, France

Saint-Herblain, 2022/01/26

Pascal ROUSSY

Väljaandja allkiri



Müra- ja vibratsioonialane deklaratsioon

- Helirõhu tase < 72 dB(A), määramatus 3 dB(A), kooskõlas standardiga EN 62841-2-2:2015.
- Helirõhu tase < 83 dB(A), määramatus 3 dB(A), kooskõlas standardiga EN 62841-2-2:2015.
- Vibratsiooniväärtus < 2.5 m/s², määramatus 3 m/s², kooskõlas standardiga EN 62841-2-2:2015.

Deklareeritud väärtused on saadud kehtivate standardite järgi läbi viidud tüübikatsetuste tulemusena ja on sobivad samade standardite kohaselt katsetatud muude tööriistade deklareeritud väärtustega võrdlemiseks. Käesolevad deklareeritud väärtused pole piisavad kasutamiseks riskihindamisel, samuti võivad konkreetsetel töökohtadel mõõdetud väärtused osutuda suuremaks. Iga konkreetse kasutaja puhul on tegelikud kahjulike mõjurite väärtused ja riskitase erinevad, sõltudes kasutaja töövõtetest, töödeldavast detailist ja töökohta korraldusest, samuti mõjurite toimeaja kestusest ja kasutaja füüsilisest seisundist.

Meie, CHICAGO PNEUMATIC Tool Co.LLC, ei vastuta tagajärgede eest, kui kasutatakse deklareeritud väärtusi, mitte tegelikke andmeid, mis vastavad tegelikule kokkupuutele konkreetsetes ohuhinnangus töökoja olukorras, mille üle meil puudub kontroll.

See tööriist võib põhjustada käe ja käsivarre vibratsioonisündroomi, kui selle kasutamist asjakohaselt ei hallata. ELi juhised kätele mõjuva vibratsiooniga toime tulemiseks leiate, kui külastate veebilehte <http://www.pneurop.eu/index.php> ning valite "Tools" ja seejärel "Legislation".

Soovitame regulaarselt tervist kontrollida, et tuvastada vibratsioonist tingitud haiguste varajasi sümptomeid. Selle põhjal tuleb juhtimistoiminguid kohandada nii, et need aitaksid ennetada võimalikke edaspidiseid tervisekahjustusi.

- ⓘ Kui antud seadet kasutatakse kinnitatud rakendustes: Masinatootja poolt antud müraemissioon on indikatiivne. Komplekse masina müra- ja vibratsiooniemissiooni andmed peavad olema välja toodud masina kasutusjuhendis.

Traadita side tehnilised andmed

BLUETOOTH LOW ENERGY 4.2®

Sagedus: 2400–2483,5 MHz

EIRP: <10 dBm

Sõnamärk Bluetooth® ja selle logod on ettevõtte Bluetooth SIG, Inc. registreeritud kaubamärgid.

Piirkondlikud nõuded

⚠ HOIATUS

Selle toote kasutamisel võite kokku puutuda kemikaalide, sh pliiga, mis põhjustab California osariigile teadolevatel andmetel vähki ja sünnidefekte või muud reproduktiivset kahju. Lisateabe saamiseks külastage veebilehte

<https://www.p65warnings.ca.gov/>

Ohutus

ÄRGE VISAKE ÄRA – ANDKE KASUTAJALE

⚠ HOIATUS Lugege läbi kõik tootega kaasas olevad ohutushoiatused, juhised, joonised ja tehnilised andmed.

Järgnevalt loetletud hoiatuste mittejärgimine võib tuua kaasa elektrilöögi, süttimise, varalise kahju ja/või raske vigastuse.

Hoidke kõik hoiatused ja juhised hilisemaks uuesti läbivaatamiseks alles.

⚠ HOIATUS Kõikidest paigaldamist, kasutamist ja hooldamist käsitlevatest kohalikest kehtivatest ohutuseeskirjadest tuleb kogu aeg kinni pidada.

Lubatud kasutamine

- Ainult professionaalseks kasutamiseks.
- Käesolevat toodet ega selle lisaseadmeid ei tohi muuta.
- Ärge kasutage kahjustatud toodet.
- Kui tootel asuvad nimikiiruse või ohuhoiatuse märgid muutuvad loetamatuks või tulevad küljest, asendage need kohe uutega.

- Toodet tohib paigaldada, kasutada ja hooldada ainult kvalifitseeritud isik ja ainult tööstuslikus keskkonnas.

Kasutusotstarve

See toode on mõeldud kasutamiseks ainult täiskasvanutele, kes on lugenud ja saanud aru selles kasutusjuhendis olevatest juhustest ja hoiatustest ning keda võib pidada oma tegude eest vastutavateks.

- Käesolev toode on mõeldud keermestatud kinnitusvahendite puitu, metalli või plastmaterjali paigaldamiseks ning sealt eemaldamiseks.
- Kasutamiseks ainult siseruumis.
- Kasutage toodet ainult eelkirjeldatud eesmärkidel.
- Muud kasutusviisid on keelatud.

Soovitavad akud

8940176068: CP36XP25

Soovitav laadija

8940176069: CP18-36CH

Soovitav reaktsioonivarras

Kasutage tööriista komplekti kuuluvat reaktsioonivarrast (7). Teiste mudelite puhul vaadake reaktsioonivarda dokumenti (viitenumber 6159923710)

Mootortööriista üldised ohutusnõuded

HOIATUS Lugege läbi kõik tootega kaasas olevad ohutushoiatused, juhised, joonised ja tehnilised andmed.

Järgnevalt loetletud hoiatuste mittejärgimine võib tuua kaasa elektrilöögi, süttimise, varalise kahju ja/või raske vigastuse.

Hoidke kõik hoiatused ja juhised hilisemaks uuesti läbivaatamiseks alles.

Hoiatustes kasutatava sõnaga „mootortööriist“ mõeldakse elektritoitel töötavat (juhtmega) või akutoitega (juhtmevaba) tööriista.

Tööpiirkonna ohutus

- **Hoidke tööpiirkond puhas ja tagage seal piisav valgustus.** Segamini või halvasti valgustatud töökoht suurendab õnnetuste ohtu.
- **Ärge kasutage mootortööriistu plahvatusohtlikus keskkonnas, näiteks kergesti süttivate vedelike, gaaside või tolmu läheduses.** Mootortööriistade kasutamisel tekivad sädemed, mis võivad süüdata tolmu või auru/gaasi.
- **Hoidke lapsed ja muud kõrvalised isikud töötavast mootortööriistast eemal.** Häirivad tegurid võivad segada teie keskendumist ja tekitada ohuolukordi.

Elektriohutus

- **Mootortööriistade pistikud peavad sobima pistikupesadega.** Pistikut ei tohi mingil moel ümber teha. Ärge kasutage maandatud mootortööriistadega adapterpistikuid. Ümbertegemata pistikute ja nendega sobivate pistikupesade kasutamine vähendab elektrilöögi ohtu.

- **Vältige kehalist kontakti maandatud pindadega, näiteks torude, radiaatorite, pliitide ja külmikutega.** Elektrilöögi oht suureneb, kui teie keha on maandatud.
- **Ärge jätke mootortööriistu vihma kätte või märgadesse tingimustesse.** Elektritööriista tungiv vesi suurendab elektrilöögi ohtu.
- **Ärge kasutage toitejuhet mittesihipäraselt. Ärge kasutage juhet mootortööriista kandmiseks, tõmbamiseks või pistikupesast eraldamiseks. Vältige juhtme kokkupuutumist kuumuse, määrdeainete, teravate servade ja liikuvate osadega.** Kahjustatud või sassis juhtmed suurendavad elektrilöögi ohtu.
- **Mootortööriistaga õues töötades kasutage välitingimustesse sobivat pikendusjuhet.** Välitingimustesse sobiva juhtme kasutamine vähendab elektrilöögi ohtu.
- **Juhul, kui mootortööriista kasutamine niiskes kohas on vältimatu, kasutage rikkevoolukaitsega (RCD) kaitstud vooluvarustust.** Rikkevoolukaitse kasutamine vähendab elektrilöögi ohtu.

Isiklik ohutus

- **Olge tähelepanelikud, jälgige, mida te teete, ning rakendage mootortööriista kasutamisel tervet mõistust. Ärge kasutage mootortööriista, kui olete väsinud või ravimite, alkoholi või uimastite mõju all.** Hetk tähelepanematust mootortööriista kasutamise ajal võib tuua kaasa tõsise kehavigastuse.
- **Kasutage isikukaitsevahendeid. Kandke alati kaitseprille.** Sobiva kaitsevarustuse kasutamine (nt tolmu-mask, libisemiskindlad turvajalatsid, kiiver ja kõrvaklapid) vähendab kehavigastuste ohtu.
- **Vältige seadme tahtmatut käivitumist. Enne toitejuhtme ja/või aku ühendamist, tööriista tõstmist või kandmist veenduge, et lüliti oleks väljalülitatud asendis.** Mootortööriista kandmine, sõrme lülitil hoides, või sisselülitatud tööriista toite ühendamine suurendab õnnetuste tõenäosust.
- **Eemaldage enne mootortööriista sisselülitamist kõik reguleerimisvõtmed või mutrivõtmed.** Mootortööriista pöörleva osa külge kinnitatud mutrivõti või võti võib tuua kaasa kehavigastuse.
- **Ärge küünitage liiga kaugele. Hoidke alati jalad kindlalt maas ja keha tasakaalus.** Selliselt on teil võimalik mootortööriista ootamatutes olukordades paremini kontrollida.
- **Riietuge sobivalt. Ärge kandke lohvakaid riideid või ehteid. Hoidke käed, juuksed ja kaelasidemed liikuvatest osadest eemal.** Lohvakad riided, ehted või pikad juuksed võivad jääda liikuvate osade külge.
- **Kui tööriistal on tolmu imemise või kogumise liitmik, siis veenduge, et see oleks nõuetekohaselt ühendatud ja kasutusel.** Tolmukoguja kasutamine võib vähendada tolmu seotud ohte.
- **Hoiduge tööriista sagedasel kasutamisel tekkivast liigest enesekindlusest ja mugavusest ning järgige alati ohutusreegleid.** Hooletus võib põhjustada vaid sekundi murdosa jooksul raskeid kehavigastusi.

- Hoidke mootortööriista isoleeritud haardepinnast, kui tehakse toimingut, kus kinnitusvahend võib puutuda vastu varjatud juhtmeid. Kinnituselemendi kokkupuutel voolu all oleva juhtmega võivad elektritööriista metallosad sattuda voolu alla ning anda kasutajale elektrilöögi.

Mootortööriista kasutamine ja hooldamine

- Ärge rakendage mootortööriista kasutamisel jõudu. Kasutage oma töö jaoks sobivat mootortööriista. Mootortööriist toimib paremini ja turvalisemalt, kui seda kasutatakse ettenähtud viisil.
- Ärge kasutage mootortööriista, kui lüliti ei lülita seda sisse ja välja. Kui mootortööriista ei saa lülitist juhtida, on see ohtlik ja tuleb enne kasutamist korda teha.
- Lahutage pistik vooluallikast ja/või aku (kui see on eemaldatav) mootortööriistast enne seadme reguleerimist, tarvikute vahetamist või mootortööriista hoiusutamiseks ära panemist. Sellised ettevaatusabinõud vähendavad mootortööriista ettekavatsematu käivitumise ohtu.
- Hoidke kasutuses mitteolev mootortööriist laste käeulatuses eemal ning ärge lubage mootortööriista kasutada isikutel, kes ei tunne mootortööriista või ei ole tutvunud käesolevate juhistega. Mootortööriistad on kogenematu kasutaja käes ohtlikud.
- Hooldage mootortööriistu ja tarvikuid. Kontrollige liikuvate osade joondust ja vaba liikumist, osade seisukorda ja muid asjaolusid, mis võivad elektriseadme tööd mõjutada. Kahjustuse korral laske mootortööriist enne kasutamist ära remontida. Paljud õnnetused on põhjustatud halvasti hooldatud mootortööriistadest.
- Hoidke lõiketööriistad teravate ja puhastena. Õigesti hooldatud teravate lõikeservadega lõiketööriistad jäävad harvemini kinni ning neid on lihtsam kontrollida.
- Kasutage mootortööriista, tarvikuid, otsikuid jms kooskõlas käesolevate juhistega, arvestades töötingimusi ning käsilolevat tööd. Mootortööriista mittesihipärane kasutamine võib tekitada ohtlikke olukordi.
- Hoidke käepidemed ja haardepinnad kuiva, puhta ning õli- ja määrdevabana. Libedad käepidemed ja haardepinnad ei lase tööriista ootamatutes olukordades ohutult käsitseda ja juhtida.

Akutööriista kasutamine ja hooldamine

- Laadige ainult tootja määratud laadijaga. Kindla akutüübi jaoks mõeldud laadija võib teist tüüpi aku laadimisel põhjustada tuleohtu.
- Kasutage mootortööriistu ainult spetsiaalselt selleks ette nähtud akudega. Teiste akude kasutamine võib tuua kaasa vigastuste ja süttimise ohu.
- Kui akut ei kasutata, tuleb seda hoida eemal metalletest nagu kirjajaklambrid, mündid, võtmed, naelad, kruvid jm väiksed metalletesed, mis võivad põhjustada kontaktide vahel lühise. Akuklemmide lühistamine võib põhjustada põletusi või süttimise.

- Aku väärkasutamise korral võib sellest paiskuda välja akuvedelikku; vältige sellega kokkupuutumist. Kui kokkupuude ikkagi toimub, loputage ohtra veega. Kui vedelik satub silma, pöörduge abi saamiseks ka arsti poole. Akust välja paiskuv vedelik võib põhjustada ärritust või põletusi.
- Ärge kasutage kahjustatud või ümber tehtud akut ega tööriista. Kahjustatud või ümber tehtud akud võivad ettenägematult käituda, põhjustades süttimist, plahvatust või kehavigastusi.
- Ärge laske akul või tööriistal kokku puutuda tule ega kõrge temperatuuriga. Lahtise leegi või üle 130 °C temperatuuriga kokkupuutumine võib põhjustada plahvatuse.
- Järgige kõiki laadimisjuhiseid ja ärge laadige akut ega tööriista väljaspool juhistes märgitud temperatuurivahemikku. Valesti või väljaspool ettenähtud temperatuurivahemikku laadimise korral võib tulemuseks olla aku kahjustumine ja suurem süttimisohu.

Hooldus

- Laske oma tööriista hooldada kvalifitseeritud remonditehnikul, kasutades ainult identseid varuosi. Selliselt on tagatud mootortööriista ohutuse säilimine.
- Kahjustatud akusid ei tohi hooldada. Akusid tohib hooldada ainult tootja või volitatud hooldusteenuse pakkuja.

Tootespetsiifilised juhised

Hoiatus!

Tulekahjuhu ja lühisvoolu tõttu tekkiva kahju ennetamiseks ärge pange kunagi oma tööriista, akupaketti ega laadijat vedelikku sisse ning ärge laske vedelikul nende sisse voolata. Söövitavad või elektrit juhtivad vedelikud, nagu merevesi, teatud tööstuslikud kemikaalid, pleegitusaine ja pleegitusainet sisaldavad tooted jms, võivad põhjustada lühisvoolu.

Spetsiaalsed ettevaatusabinõud

- Masinat võib kasutada ainult koos vastava väändejõu reaktsioonivardaga, mida on kohandatud konkreetse kruvühenduse rakendusega.
- Kasutage kahetoimelist päästikut, et vältida sõrmede ja käte reaktsioonivarda ning toriku vahele jäämise ohtu.

Üldine ohutus paigaldamisel

Seadet võivad paigaldada ainult kvalifitseeritud isikud.

Riputage tööriist turvaliselt, näiteks tasakaalustajale. Kui kasutate riputit, siis kontrollige, et see oleks heas töökorras ning nõuetekohaselt paigaldatud.

Ühendage süsteem alati maandatud pistikupesaga. Enne tööriistajuhtme ühendamist või lahutamist veenduge alati, et toitepistik oleks vooluvõrgust eemaldatud ning kontrollier välja lülitatud.

Spetsiaalsed ettevaatusabinõud

⚠ HOIATUS Purustamisohu

Kahekordne päästik nõuab kasutajalt tööriista kasutamiseks mõlema käe kasutamist. Selle mittekasutamisel võib tööriist reaktiivvarida reguleerimise ajal ootamatult käivituda ja põhjustada raske käevigastuse.

- ▶ Veenduge, et tööriista poleks pärast kahekordse päästiku vabastamist võimalik käivitada.
- ▶ Testige alati tööriista, vabastades esmalt kahekordse päästiku ja vajutades seejärel tööriistal asuvat päästikut. Kui tööriist käivitub, katkestage töö.

Üldine tööohutus

- **Ärge kandke kindaid, kuna need võivad pöörlevate osade vahele kinni jääda.**
- **Olge valmis tööriista kasutamisel esinevaks reaktsioonijõuks.** Toetage alati tööriista kindlalt käepidemest spindli pöörlemisele vastassuunas, et vähendada pingutamise lõpus ja lödvendamise alguses aset leidva ootamatu väändejõu reaktsiooni mõju.
- **Ärge hoidke kinni ajamist, pesast või ajami pikendus-est.**
- **Operaatorid ja hooldustehnikud peavad olema füüsiliselt võimelised käsitsema tööriista suurust, kaalu ja võimsust.**
- **Võimaluse korral kasutage reaktsioonijõu summutamiseks riputushooba.** Kui see ei ole võimalik, on sirgete ja püstolkäepidemega tööriistade puhul soovitatav kasutada külglkäepidemeid; nurga all mutrikeerikute puhul aga reaktsioonivardaid. Soovitame kasutada sirgete tööriistade puhul üle 4 Nm (3 naeljalga), püstolkäepidemega tööriistade puhul üle 10 Nm (7,5 naeljalga) ja nurkmutrikeerikute puhul üle 60 Nm (44 naeljalga) suuruse reaktsioonijõu absorbeerimiseks abivahendeid.
- **Üle- või alapingutatud kinnituselementide puhul tekib raskete kehavigastuste oht.** Konkreetse ettenähtud pingutusmomendiga koostude puhul tuleb kontrollimiseks kasutada dünamomeetrit. Nn „klõpsuga“ dünamomeetritelised mutrivõtmed ei kontrolli potentsiaalselt ohtlikku ülepingutamist. Üle- või alapingutatud kinnituselementid võivad puruneda, lahti tulla või eralduda. Lahti tulnud koostud võivad eemale paiskuda.
- **Kasutage ainult heas seisukorras olevaid mootor- või löökpadruneid.** Ärge kasutage käsipadruneid.
- **Mootortööriista kasutades võib operaator kogeda kätes, käsivartes, õlgades, kaelas ning teistes kehahaosades ebamugavustunnet.** Vahtetage tööpäeva kestel asendit, säilitades kindla jalgealuse ning vältides ebaloomulikke või tasakaalust väljas asendeid.
- **Korduvad liigutused, ebamugav asend ja vibratsioon võivad kahjustada käsi.** Kui käed muutuvad tuimaks, kipitavad, valutavad või kui nahk muutub valgeks, lõpetage töö ja pöörduge arsti poole.
- **Kitsas kohas töötades tegutsege ettevaatlikult.** Olge ettevaatlik, et vältida käe tööriista ja töödeldava eseme vahele sattumisest tingitud muljumisvigastusi.

- **Kõrge müratase võib põhjustada täieliku kuulmise kaotuse.** Kasutage teie tööandja või töötervishoiu ja ohutuse eeskirjade poolt ettenähtud kuulmiskaitsevahendeid.
- **Veenduge, et töödeldav toorik oleks kindlalt fikseeritud.**
- **Tegutsege tundmatus ümbruskonnas ettevaatlikult.** Tundke oma töötegevusest tingitud potentsiaalseid ohte. Antud tööriist ei ole vooluallikatega kokkupuutumise puhuks isoleeritud.

Tööriistad, mida kasutatakse koos reaktiivvardaga: Ärge pange oma kätt tööriista kasutamisel reaktiivvarida lähedale. Veenduge enne tööriista käivitamist spindli pöörlemisruunas, reaktsioonijõud võib toimida ootamatus suunas ning tekitada muljumisvigastuste ohtu.

Muhvi sisaldav tööriist Ärge kasutage toodet, kui te pole muhvi vabastamises eelnevalt veendunud. Kontrollige õiget töötamist kohe pärast muhvi reguleerimist.

⚠ HOIATUS Vigastuste oht

Veenduge, et kasutatav parameetrifail oleks õige. Vale parameetrifaili kasutamisel võib pingutusmoment osutada liiga suureks, mis omakorda võib viia kehavigastuseni.

- ▶ Võrrelge kontrollieris näidatud max väändejõudu tööriista tehnilistes andmetes märgituga. See peab olema sama.

Üldjuhised

Tööriista võib kasutada ainult koos seotud väändejõu reaktiioonivardaga, mis on ühendatud vastavasse kruviühendusse.

⚠ HOIATUS Muljumisohu



Kontrollige enne alustamist tööriista pöörlemisruunda! Ootamatus suunas käivituv pöörlemine võib põhjustada kehavigastusi ja varalist kahju. Liikuvad osad võivad põhjustada muljumisvigastusi ja löikehaavu.

- ▶ Veenduge enne tööriista käivitamist, et tööriista pöörlemisruund oleks õige.
- ▶ Hoidke käed ja sõrmed liikuvatest osadest eemal.

Tööriista kasutamine

1. Kinnitage reaktiioonivarras, järgides selles dokumendis kirjeldatud ohutuseeskirju.
2. Kinnitage tööriistale sobiv padrun, järgides selles dokumendis kirjeldatud ohutuseeskirju.
3. Valige seadenuppude (4) ja ekraani (3) abil sobiv režiim.
4. Valige vastassuuna nupu (6) abil õige pöörlemisruund.
5. Paigutage tööriist ja reaktiioonivarras (7) vastavalt selles dokumendis kirjeldatud ohutuseeskirjadele.
6. Vajutage teist päästikut (1) ja hoidke seda all.

7. Vajutage peamist päästikut (2) ja hoidke seda all.
8. Hoidke päästikuid (1 ja 2) all toimingu lõpetamiseni.
9. Jälgige tööriista olekut LED-märgutulede (5) abil. Roheline (korras), punane (ei ole korras).

Aku

Akupaketti, mida ei ole mõnda aega kasutatud, tuleb enne kasutamist laadida.

Akupaketi jõudlus langeb temperatuuril üle 50 °C (122 °F). Vältige pikaajast kokkupuudet kuumuse või päikesepaistega (ülekuumenemisoht).

Laadija ja akupaketi kontaktid tuleb hoida puhtad.

Optimaalse kasutusaja tagamiseks tuleb akupakett pärast kasutamist täis laadida. Aku pikima võimaliku kasutusaja tagamiseks eemaldage akupakett laadijast alles siis, kui akupakett on korralikult täis laetud.

Akupaketil on ülekoormuskaitse, mis kaitseb seda ülekoormuse eest ja aitab pikendada akupaketi kasutusiga. Aku ülepinge korral lülitub elektroonika automaatselt välja. Toote taaskäivitamiseks lülitage toode välja ja uuesti sisse. Kui toode ei käivitu, siis võib põhjuseks olla tühi akupakett. Sellisel juhul tuleb akupaketti laadida.

Paigaldusjuhised

- **Järgige kõigi komponentide käsitlemise ja utiliseerimise osas siseriiklikke keskkonnanäeskirju.**
- Hooldus- ja remonditöid tohivad teostada ainult selleks kvalifitseeritud isikud, kasutades originaalvaruosi. Tehnohoolduse kohta nõu küsimiseks või varuosade hankimiseks võtke ühendust tootja või teile lähima volitatud edasimüüjaga.
- Juhusliku käivitamise vältimiseks veenduge, et masin oleks alati energiaallikast lahutatud.
- Kui tööriista kasutatakse igapäevaselt, võtke tööriist lahti ja kontrollige seda iga 3 kuu möödudes. Asendage kõik kahjustatud või kulunud osad.
- Ärge laske pidurivedelikel, bensiinidel, naftapõhistel toodetel, immutusõlidel jms kokku puutuda seadme plastosadega. Kemikaalid võivad plastosi kahjustada, nõrgestada või purustada, mis võib põhjustada tõsiseid kehavigastusi.
- Ärge kasutage plastosade puhastamiseks lahusteid. Enamik plaste on tundlikud eri tüüpi kaubanduslike lahustite suhtes ning võivad nende kasutamisel kahjustada saada. Kasutage mustuse, tolmu, õli, määrete jne eemaldamiseks puhast lappi.

Utiliseerimine

- Selle seadme kasutuselt kõrvaldamisel tuleb järgida asukohariigi seadusandlust.
- Kahjustatud, tugevalt kulunud või valesti toimivad seadmed **TULEB KASUTUSELT KÕRVALDADA**.

Märgid ja kleebised

Tootele on paigaldatud olulise isikliku ohutusteabega ja toote hooldusteabega märgid ja kleebised. Paigaldatud märgid ja kleebised peavad olema alati loetavad. Uute märkide ja kleebiste tellimiseks kasutage varuosade loendit.



s011050

Sümbolid



Enne masinaga tööle asumist eemaldage aku.



Enne masina käivitamist lugege tähelepanelikult juhiseid.



Ärge kõrvaldage elektritööriistu koos kodumajapidamisjäätmetega. Elektritööriistad ja elektroonikaseadmed, mille kasutusiga on läbi saanud, tuleb eraldi kokku koguda ja viia keskkonناسõbalikku ringlussevõtukohta. Ümbertöötlemise juhiseid või kogumispunkti teavet küsige kohalikult asutuselt või jaemüüjalt.



Masinat kasutades tuleb alati kanda kaitseprille.

n_0

Laadimiskiirus puudub.

V

Volti

min⁻¹

minutis



Alalisvool



ETTEVAATUST! HOIATUS! OHT!

Kasulik teave

Veebileht

Teavet meie toodete, tarvikute, varuosade ja avaldatud materjalide kohta leiate kaubamärgi Chicago Pneumatic veebisaidilt.

Tutvuge lähemalt: www.cp.com.

Päritolumaa

HUNGARY

Ohutuskaart

Ohutuskaardid kirjeldavad kaubamärgi Chicago Pneumatic müüdavaid kemikaale.

Lisateabe saamiseks külastage kaubamärgi Chicago Pneumatic veebisaiti qr.cp.com/sds.

Autoriõigus

© Autoriõigus 2022, CHICAGO PNEUMATIC Tool Co.LLC, 1815 Clubhouse Road, Rock Hill, SC 29730 - USA

Kõik õigused kaitstud. Volitamata kasutamise või sisu või selle osa kopeerimine on keelatud. See puudutab konkreetset just kaubamärke, mudelite nimetusi, detailide numbreid ja jooniseid. Kasutage ainult heakskiidetud osi. Autoriseerimata osade kasutamisest põhjustatud kahjustused või tõrked pole garantii või toote vastutuse poolt kaetud.

Techniniai duomenys

Gaminio aprašymas

žr. iliustraciją 2: Gaminio aprašymas

-
- 1 Antrasis paleidiklis
 - 2 Pagrindinis paleidiklis
 - 3 Ekranas
 - 4 Nustatymų mygtukai
 - 5 Pranešimo šviesos diodai
 - 6 Grįžimo mygtukas
 - 7 S tipo atveiksmio strypas (pateikiamas kartu su įrankiu)
-

Deklaracijos

ES ATITIKTIES DEKLARACIJA

Mes, **CHICAGO PNEUMATIC Tool Co.LLC**, 1815 Clubhouse Road, Rock Hill, SC 29730 - USA, vienašališkos atsakomybės pagrindu pareiškiamo, kad gaminys (pavadinimą, tipinį ir serijos numerį žr. pirmame puslapyje), atitinka šią (-as) Direktyvą (-as):

2006/42/EC; 2011/65/UE; 2014/53/UE

Taikyti darnieji standartai: EN 62841-2-2:2014 + AC1:2015; EN 55014-1:2017+11:2020; EN 55014-2:2015; EN 61000-6-2:2019; EN 61000-6-3:2007 + A1:2011; EN 300328V222; EN 301489-17V324; EN 301489-1V223; EN 62311:2008; EN 62479:2010

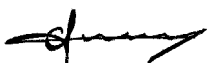
Atitinkamos techninės informacijos institucijos gali pareikalauti iš:

Pascal Roussy, R&D Manager, Ets Georges Renault, 38 rue Bobby Sands, BP10273 44818 Saint Herblain, France

Saint-Herblain, 2022/01/26

Pascal ROUSSY

Išdavėjo parašas



Deklaracija dėl triukšmo ir vibracijos

- Garso slėgio lygis < 72 dB(A) , neapibrėžtis 3 dB(A), pagal EN 62841-2-2:2015.
- Garso galios lygis < 83 dB(A) , neapibrėžtis 3 dB(A), pagal EN 62841-2-2:2015.
- Bendras vibracijos dydis < 2.5 m/s², neapibrėžtis 3 m/s², pagal EN 62841-2-2:2015.

Nurodytos reikšmės buvo gautos bandant laboratorinėmis sąlygomis pagal nurodytus standartus ir yra tinkamos lyginti su nurodytomis kitų pagal tuos pačius standartus bandytų įrankių reikšmėmis. Nurodytos reikšmės nėra pakankamos rizikai vertinti, o atskirose darbo vietose išmatuotos reikšmės gali būti didesnės. Faktinės ekspozicijos reikšmės ir žalos rizika atskiriems vartotojams yra specifiniai dalykai, kurie priklauso nuo vartotojo darbo būdo, darbo įrankio ir darbo vietos bei ekspozicijos laiko ir fizinės vartotojo būklės.

Mes, **CHICAGO PNEUMATIC Tool Co.LLC**, negalime būti laikomi atsakingi už deklaruotų verčių naudojimo vietoje faktinių verčių pasekmes individualiai įvertinant riziką darbo vietoje, kurios sąlygų negalime kontroliuoti.

Netinkamai valdomas šis įrankis gali sukelti rankos–plaštakos vibracijos sindromą. Plaštakos ir rankos vibracijos valdymo ES vadovas yra svetainėje <http://www.pneurop.eu/index.php>, skyrelyje „Tools“ (įrankiai), poskyryje „Legislation“ (teisės aktai).

Ankstyviems simptomams, kurie gali būti susiję su vibracijos ekspozicija, nustatyti ir valdymo procedūroms keisti taip, kad išvengtumėte pakenkimo ateityje, mes rekomenduojame sveikatos priežiūros programą.

- ⓘ Jei ši įranga yra skirta naudoti sutvirtinus: Triukšmo spinduliuotė pateikiama kaip orientyras mašinos gamintojui. Visos mašinos triukšmo ir vibracijos spinduliuotės duomenys turi būti pateikiami mašinos instrukcijų vadove.

Belaidžio ryšio specifikacijos

BLUETOOTH LOW ENERGY 4.2®

Dažnis: 2400 MHz - 2483,5MHz

EIRP: <10 dBm

„Bluetooth®“ žodinis ženklas ir logotipai yra registruoti prekių ženklai, priklausantys „Bluetooth SIG, Inc.“

Regioniniai reikalavimai

⚠️ ĮSPĖJIMAS

Šis produktas gali sukelti jums pavojų dėl cheminių medžiagų poveikio, įskaitant šviną – Kalifornijos valstija žino, kad tai gali sukelti vėžį, apsigimimų ir kitą žalą reprodukcinei sistemai. Daugiau informacijos rasite <https://www.p65warnings.ca.gov/>

Sauga

NEIŠMESTI – ATIDUOTI VARTOTOJUI

- ⚠️ **ĮSPĖJIMAS** Perskaitykite visus su šiuo gaminiu pateikiamus saugos įspėjimus, instrukcijas, iliustracijas ir specifikacijas.

Jei bus nesilaikoma visų toliau pateiktų instrukcijų, gali kilti elektros smūgio, gaisro, nuosavybės sugadinimo ir (arba) sunkaus sužeidimo pavojus.

Išsaugokite visus įspėjimus ir nurodymus, kad prireikus vėliau galėtumėte pasiskaityti.

⚠️ ĮSPĖJIMAS Visada būtina laikytis visų galiojančių vietinių sumontavimo, eksploatacijos ir techninės priežiūros saugos taisyklių.

Naudojimo deklaracija

- Skirta tik profesionaliam naudojimui.
- Draudžiama atlikti bet kokius šio gaminio ir jo priedų pakeitimus.
- Nenaudokite šio gaminio, jei jis apgadintas.
- Jei nebežiūrėti arba atplyšo lipdukai su gaminio įspėjimaisiais ženklais, juos iškart pakeiskite.
- Gaminį gali diegti, naudoti ir techniškai prižiūrėti tik kvalifikuotas personalas pramoninio montažo aplinkoje.

Numatytoji paskirtis

Naudoti šį gaminį leidžiama tik suaugusiems, kurie perskaitė ir suprato šiame vadove pateiktus nurodymus bei įspėjimus, ir kurie gali būti laikomi atsakingais už savo veiksmus.

- Šis gaminys skirtas įmontuoti sriegines tvirtinimo detales į medį, metalą ar plastiką, bei jas išimti.
- Naudoti tik patalpoje.
- Nenaudokite gaminio jokiems kitiems, nei nurodytiems čia tikslams.
- Naudojimas kitai paskirčiai draudžiama

Rekomenduojamos baterijos

8940176068 CP36XP25

Rekomenduojamas kroviklis

8940176069 CP18-36CH

Rekomenduojamas atoveiksmio strypas

Naudokite atoveiksmio strypą (7) pateikiamą su įrankių. Kitiems įrankiams skirti modeliai pateikiami dokumente 6159923710

Bendrieji elektrinio įrankio saugos įspėjimai

⚠️ ĮSPĖJIMAS Perskaitykite visus su šiuo gaminiu pateikiamus saugos įspėjimus, instrukcijas, iliustracijas ir specifikacijas.

Jei bus nesilaikoma visų toliau pateiktų instrukcijų, gali kilti elektros smūgio, gaisro, nuosavybės sugadinimo ir (arba) sunkaus sužeidimo pavojus.

Išsaugokite visus įspėjimus ir nurodymus, kad prirėkūs vėliau galėtumėte pasiskaityti.

Įspėjimuose minima sąvoka „elektrinis įrankis“ taikoma elektra iš tinklo (laidu iš elektros lizdo) ar akumuliatoriumi varomam (belaidžiam) elektriniam įrankiui.

Darbo vietos sauga

- **Darbo vieta turi būti švari ir gerai apšviesta.** Netvarkingose ar tamsiose vietose galimi nelaimingi atsitikimai.

- **Elektriniais įrankiais nedirbkite sprogiuose atmosferose, pavyzdžiui, ten, kur yra degių skysčių, dujų ar dulkių.** Elektriniai įrankiai sukelti kibirkštis, kurios gali uždegti dulkes ar garus.

- **Dirbdami elektriniais įrankiais pasirūpinkite, kad pašaliniai asmenys ir vaikai būtų atokiau.** Dėl dėmesio atitraukimo galite prarasti įrankio valdymo kontrolę.

Elektros sauga

- **Elektrinių įrankių kištukai turi tikti lizdai.** Niekada niekaip nekeiskite kištuko. Su įžemintais elektriniais įrankiais nenaudokite jokių adapterio kištukų. Elektros smūgio pavojus bus mažesnis naudojant nepakeistus kištukus ir tinkančius lizdus.
- **Stenkitės nesiliesti prie įžemintų paviršių, pavyzdžiui, vamzdžių, radiatorių, viryklių ir šaldytuvų.** Jei kūnas įžemintas, padidėja elektros smūgio pavojus.
- **Saugokite elektrinius įrankius nuo lietaus ar drėgmės.** Į elektrinį įrankį patekęs vanduo padidina elektros smūgio pavojų.
- **Atsargiai elkitės su laidu.** Niekada nevilkite, netraukite elektrinio įrankio už laido, neatjunkite jo nuo elektros lizdo traukdami už laido. Laikykite laidą atokiai nuo karščio, alyvos, aštrių briaunų ar judančių dalių. Dėl apgadintų ar susipainiojusių laidų padidėja elektros smūgio pavojus.
- **Dirbdami su elektriniu įrankiu lauke naudokite pailginimo laidą, pritaikytą darbui lauke.** Naudojant pritaikytą darbui lauke laidą sumažėja elektros smūgio pavojus.
- **Jei būtina dirbti elektriniu įrankiu drėgnoje vietoje, naudokite maitinimo tiekimą su apsauga nuo liekamosios srovės.** Naudojant nuotėkio relę sumažėja elektros smūgio pavojus.

Asmeninė sauga

- **Dirbdami su elektriniu įrankiu būkite budrūs, stebėkite ką darote ir vadovaukitės sveiku protu.** Nenaudokite elektrinio įrankio pavargę, apsvaigę nuo narkotikų, alkoholio ar vaistų. Dirbant su elektriniu įrankiu užtenka vienos neatidumo akimirkos ir galima sunkiai susižeisti.
- **Naudokite asmeninę apsaugos įrangą. Visada naudokite akių apsaugos priemones.** Susižalojimo pavojų sumažins apsauginė įranga, pavyzdžiui, apsaugos nuo dulkių kaukės, neslystantys apsauginiai batai, šalmas ar klausos apsauga.
- **Apsisaugokite nuo netyčinio paleidimo. Prieš prijungdami įrankį prie maitinimo šaltinio ir (arba) akumuliatorių pakuotės, prieš imdami ar nešdami įrankį patikrinkite, ar jungiklis yra išjungtoje padėtyje.** Jei įrankį nešite piršta laikydami ant jungiklio arba įjungsite įrankių, kurių jungiklis yra įjungtoje padėtyje, maitinimą, galimi nelaimingi atsitikimai.
- **Prieš įjungdami elektrinį įrankį nuimkite reguliavimo raktą arba veržliaraktį.** Jei veržliaraktis ar raktas liks pritvirtintas prie elektrinio įrankio besisukančios dalies, galite susižaloti.

- **Nepersisverkite.** Visuomet tvirtai stovėkite ant žemės, išlaikykite pusiausvyrą. Taip galėsite geriau valdyti elektrinį įrankį netikėtose situacijose.
- **Tinkamai apsirenkite.** Nesegėkite papuošalų ir nevilkėkite laisvų drabužių. Drabužius ir plaukus laikykite atokiau nuo judančių dalių. Laisvi drabužiai, papuošalai ar ilgi plaukai gali užsikabinti už judančių dalių.
- **Jeį įrenginiai skirti prijungti dulkių išsiurbimo ir surinkimo įtaisus, užtikrinkite, kad jie prijungti ir tinkamai naudojami.** Surenkant dulkes mažėja pavojai, susiję su dulkėmis.
- **Net jei dažnai naudojate elektrinius įrankius, pernelyg neatsipalaiduokite ir neignorukite saugos principų.** Dėl nerūpestingų veiksmų galite sunkiai susižaloti net per sekundės dalį.
- **Atlikdami veiksmus, kurių metu tvirtinimo elementas gali prisiliesti prie paslėptų laidų, laikykite elektrinį įrankį už izoliuoto laikymo paviršiaus..** Tvirtinimo detalės prisilietus prie laido, kuriuo teka srovė, neizoliuotos metalinės elektrinio įrankio dalys gali sukelti elektros smūgį ir nutrenkti operatorių.

Elektrinio įrankio naudojimas ir priežiūra

- **Dirbdami su elektriniu įrankiu nenaudokite jėgos.** Darbui atlikti naudokite tinkamą įrankį. Tinkamu elektriniu įrankiu geriau ir saugiau atliksite darbą tokiu greičiu, kuriam jis yra numatytas.
- **Nenaudokite elektrinio įrankio, jei jo jungiklis neįsijungia arba neišsijungia.** Bet kuris elektrinis įrankis, kurio negalima valdyti jungikliu, yra pavojingas – jį privaloma pataisyti.
- **Prieš atlikdami bet kokius pakeitimus, keisdami priedus arba sandėliuodami elektrinius įrankius atjunkite kištuką nuo maitinimo šaltinio ir (arba) akumuliatorių pakuotę nuo elektrinio įrankio.** Tokios apsauginės priemonės sumažina pavojų netyčia įjungti elektrinį įrankį.
- **Nenaudojamus elektrinius įrankius laikykite vaikams nepasiekiamoje vietoje ir neleiskite dirbti su elektros įrankiu asmenims, nesusipažinusiems su įrankiu arba šiomis instrukcijomis.** Naudojami nekvalifikuotų vartotojų, elektriniai įrankiai yra pavojingi.
- **Variklinius įrankius ir jų priedus tinkamai prižiūrėkite.** Patikrinkite, ar gerai sulygiuotos ir nesukimba judančios dalys, ar dalys nesulūžę ar įrankio eksploatacinė būklė visapusiškai tinkama. Jeigu elektrinis įrankis sugadintas, prieš naudojant jį reikia pataisyti. Dėl netinkamai prižiūrimų elektrinių įrankių gali įvykti nelaimingų atsitikimų.
- **Pjovimo įrankiai turi būti aštrūs ir švarūs.** Tinkamai techniškai prižiūrėti pjovimo įrankiai aštriais pjovimo galais mažiau strigs, juos bus lengviau valdyti.
- **Elektrinį įrankį, priedus, antgalius ir pan. naudokite pagal šias instrukcijas, atsižvelgdami į darbo sąlygas ir darbą, kurį reikia atlikti.** Naudojant elektrinį įrankį kitiems darbams nei numatytieji atlikti, gali susidaryti pavojingų situacijų.

- **Rankenos ir suėmimo paviršiai turi būti sausi, švarūs, netepaluoti ir nealyvuoti.** Dėl slidžių rankenų ar suėmimo paviršiaus nepavyks saugiai naudoti ir valdyti įrankio įvykus netikėtai situacijai.

Akumuliatoriaus įrankio naudojimas ir priežiūra

- **Įrankius įkraukite tik naudodami gamintojo nurodytą kroviklį.** Vieno tipo akumuliatorių pakuotei tinkantis kroviklis, naudojamas kitai akumuliatorių pakuotei krauti, gali kelti gaisro pavojų.
- **Elektrinius įrankius naudokite tik su specialiomis akumuliatorių pakuotėmis.** Jei naudosite kitokius akumuliatorius, gali kilti susižalojimo ar gaisro pavojus.
- **Nenaudojamus akumuliatorius saugokite nuo kitų metalinių daiktų, pavyzdžiui, sąvaržėlių, monetų, raktų, vinių, sraigtų ar kitokių metalinių daiktų, kurie galėtų sujungti vieną gnybtą su kitu.** Sulietę akumuliatoriaus gnybtus galite nusideginti arba sukelti gaisrą.
- **Esant netinkamoms sąlygoms iš akumuliatoriaus gali išstryksti skystis; venkite sąlyčio.** Jei taip netyčia nutiktų, nuplaukite su vandeniu. Jei skysčio patektų į akis, be minėtų priemonių kreipkitės pagalbos į gydytoją. Iš akumuliatoriaus ištekėjęs skystis gali sudirginti arba nudeginti odą.
- **Pažeistų arba modifikuotų akumuliatorių ir įrankių nenaudokite.** Apgadinti ar modifikuoti akumuliatoriai gali veikti neprognozuojamai, todėl gali kilti gaisras, sprogimas ar susižalojimo pavojus.
- **Saugokite akumuliatorius nuo gaisro ar pernelyg aukštos temperatūros.** Dėl aukštesnės negu 130 °C temperatūros poveikio galimas gaisras.
- **Laikykites visų įkrovimo instrukcijų ir neįkraukite akumuliatorių įkroviklio, jei temperatūra neatitinka instrukcijose nurodyto diapazono.** Netinkamai įkraunant arba, jei temperatūra neatitinka instrukcijose nurodyto diapazono, galima apgadinti akumuliatorių arba padidinti gaisro pavojų.

Priežiūra

- **Elektrinį įrankį turi prižiūrėti kvalifikuoti remontininkai, naudojantys tik identiškas atsargines dalis.** Taip bus užtikrintas elektrinio įrankio saugumas.
- **Niekada neremontuokite akumuliatorių pakuočių.** Akumuliatorių pakuotes remontuoti gali tik gamintojas arba įgalioti remonto paslaugų teikėjai.

Specialios gaminio instrukcijos

Įspėjimas!

Norėdami išvengti gaisro, traumos arba produkto sugadinimo dėl trumpojo jungimo, jokia būdu nenardinkite šio įrankio, jo akumuliatoriaus arba kroviklio į vandenį, taip pat neleiskite vandeniui patekti į jų vidų. Koroziniai arba laidūs elektrai skysčiai, tokie kaip jūros vanduo arba tam tikros pramoninės cheminės medžiagos, taip pat balikliai ir produktai, kurių sudėtyje yra baliklių, gali sukelti trumpąjį jungimą.

Specialios atsargumo priemonės

- Įrenginį galima naudoti tik su kartu veikiančiu sukimo momento atoveiksmio strypu, kuris pritaikytas prie atitinkamo varžto sujungimo panaudojimo.
- Naudokite dvigubą paleidiklį, siekiant sumažinti pavojų prispausti rankas tarp atoveiksmio strypo ir ruošinio.

Bendroji sumontavimo sauga

Sumontavimą turi atlikti tik kvalifikuotas personalas.

Saugiai pritvirtinkite įrankį, pavyzdžiui, naudodami balansyrą. Naudodami pakabos apkabą patikrinkite jos būklę ir tinkamą pritvirtinimą.

Sistemą visada prijunkite prie įžeminto elektros lizdo. Prieš prijungdami ar atjungdami įrankio kabelį visada įsitikinkite, kad maitinimo kištukas yra atjungtas, o valdiklis išjungtas.

Specialios atsargumo priemonės

ISPĖJIMAS Suspaudimo pavojus

Dvigubas perjungiklis priverčia vartotoją dirbant su prietaisu naudoti abi rankas. Nenaudojant šios apsaugos, operatorius gali netyčia įjungti įrankį reguliuodamas reaktyvųjį bloką ir dėl to patirti sunkų rankos sužalojimą.

- ▶ Įsitikinkite, kad įrankis neišjungtų neatleidus dvigubo perjungiklio.
- ▶ Visada patikrinkite įrankį pirmiausia atleisdami dvigubo perjungiklio gaiduką, tada paspauskite įrankio gaiduką. Jei įrankis užsiveda, nustokite dirbti.

Bendroji darbo sauga

- Dėl išpainiojimo pavojaus nedėvėkite pirštinių.
- Pasirenkite atoveiksmio jėgai, kuri pasireikš naudojant įrankį. Visada tvirtai laikykite įrankio rankeną, priešinga ašies sukimuisi kryptimi, kad sumažėtų stailios sukimo momento reakcijos poveikis galutinio priveržimo arba pradinio atsukimo metu.
- Niekada nelaikykite pavaros, lizdo ar pailginimo įtaiso.
- Su įrankiu dirbantys ir jį prižiūrintys darbuotojai turi fiziškai pajėgti išlaikyti įrankį pagal jo tūrį, svorį bei galingumą.
- Jei įmanoma, naudokite pakabos svirtį, kad būtų absorbuojamas atoveiksmio sukimo momentas. Jei tai neįmanoma, įrankiams tiesiu korpusu ir su pistoleto tipo rankenomis naudokite šonines rankenas; kampiniams veržliasukiams rekomenduojama naudoti atoveiksmio strypus. Rekomenduojama naudoti priemones, kad būtų absorbuojamas atoveiksmio sukimo momentas, didesnis negu 4 Nm (3 svarai į pėdą) įrankiams tiesiu korpusu, didesnis negu 10 Nm (7,5 svarai į pėdą) įrankiams su pistoleto tipo rankena ir didesnis negu 60 Nm (44 svarai į pėdą) kampiniams veržliasukiams.
- Sunkūs sužalojimai gali atsirasti dėl pernelyg smarkiai ar per silpnai priveržtų tvirtinimo detalių. Tam tikru sukimo momentu besisukančios dalys turi būti

patikrintos sukimo momento matuokliu. Vadinamųjų „spragtelinčių“ sukimo veržliasukių netikrinkite dėl potencialiai pavojingų pernelyg didelio sukimo momento sąlygų. Pernelyg priveržtos ar nepriveržtos tvirtinimo detalės gali sulūžti, atsilaisvinti arba atsiskirti. Atsilaisvinusios mazgų detalės gali būti išsviedžiamos.

- Naudokite tik geros būklės elektros įrankiams skirtas galvutes. Nenaudokite rankinių veržliarakčių galvučių.
- Dirbdamas elektriniu įrankiu operatorius gali patirti nepatogių pojūčių rankose, pečiuose, kakle ar kitose kūno dalyse. Darbo dienos eigoje išlaikykite tinkamas pozas, laikykite pėdas tinkamai ir venkite nepatogių ar pusiausvyrą trikdančių pozų.
- Pasikartojantys judesiai, nepatogios padėties dirbant ir patiriama vibracija gali būti žalingi rankoms. Jei pajuntate tirpimą, dilgčiojimą, skausmą arba pabala oda, nustokite dirbti įrankiu ir kreipkitės į gydytoją.
- Būkite atsargūs dirbdami uždaroje patalpose. Saugokitės, kad rankos nebūtų prispaustos tarp įrankio ir apdirbamo gaminio.
- Įrankio keliamas didelis triukšmas gali negrįžtamai pakenkti klausai. Naudokite ausų apsaugas, kurias rekomenduoja jūsų darbdavys ar darbuotojų sveikatos ir saugos teisės aktai.
- Pasirūpinkite, kad ruošinys būtų tvirtai užfiksuotas.
- Ypač būkite atsargūs nepažįstamoje aplinkoje. Išsiaiškinkite potencialius pavojus, kuriuos sukelia darbas su varikliu. Įrankis nėra izoliuotas nuo elektros šaltinių.

Įrankiai, naudojami kartu su atraminiu strypu: Naudodami įrankį niekada nelaikykite rankų šalia atraminio strypo. Prieš įjungdami įrankį nepamirškite veleno sukimosi krypties, atoveiksmio jėga gali veikti netikėta kryptimi, todėl kyla sutraiškymo pavojus.

Įrankiams su veržiamuoju įtaisu: Niekada nenaudokite gaminio neišitikinę, kad veržiamasis įtaisas atsilaisvina. Paregulavę veržiamąjį įtaisą, tuoj pat patikrinkite, ar gerai veikia.

ISPĖJIMAS Sužalojimo pavojus

Įsitikinkite, kad naudojamas teisingas parametrų failas. Neteisingas parametrų failas gali sukelti per didelį sukimo momentą ir kūno sužalojimą.

- ▶ Palyginkite maksimalų sukimo momentą, kuris rodomas valdiklyje, su maksimaliu sukimo momentu, nurodytu techniniuose duomenyse apie įrankį, jie turėtų būti vienodi.

Bendrosios instrukcijos

Įrankį galima naudoti tik su kartu veikiančiu sukimo momento atoveiksmio strypu, kuris pritaikytas prie atitinkamo varžto sujungimo panaudojimo.

⚠️ ĮSPĖJIMAS Suspaudimo pavojus



Prieš pradėdami dirbti patikrinkite įrankio sukimosi kryptį! Įrankiui pradėjus sukstis netikėta kryptimi gali sužalojimai arba materialinė žala. Judančios dalys gali sutrupinti ir įpjauti.

- ▶ Prieš įjungdami įrankį įsitikinkite, kad jo sukimosi kryptis yra tinkama.
- ▶ Pasirūpinkite, kad rankos ir pirštai būtų atokiai nuo judančių dalių.

Įrankio naudojimas

1. Montuokite atoveiksmio strypą laikydamiesi šiame dokumente aprašytų saugos instrukcijų.
2. Prijunkite įrankį prie tinkamo lizdo, laikydamiesi šiame dokumente aprašytų saugos instrukcijų.
3. Nustatykite teisingą režimą naudodamiesi nustatymų mygtukais (4) ir ekranu (3).
4. Pasirinkite tinkamą kryptį naudodami atbulinės eigos mygtuką (6).
5. Sureguliuokite įrankį ir atoveiksmio petį (7) laikydamiesi šiame dokumente aprašytų saugos instrukcijų.
6. Paspauskite ir laikykite nuspaudę antrąjį paleidiklį (1).
7. Paspauskite ir laikykite nuspaudę pagrindinį paleidiklį (2).
8. Laikykite nuspaudę paleidiklius (1 ir 2) iki eksploatavimo pabaigos.
9. Patikrinkite pranešimo šviesos diodų (5) veikimo būseną. Žalias (gerai), raudonas (negerai).

Akumulatorius

Jei akumulatoriai kurį laiką nebuvo eksploatuojami, prieš pradėdami naudoti juos reiktų įkrauti.

Kai temperatūra yra aukštesnė nei 50 °C (122 °F), akumulatoriaus eksploatacinės savybės pablogėja. Saugokite nuo ilgalaikio saulės spindulių arba karščio poveikio (kitais atvejais gali perkaisti).

Kroviklių ir akumuliatorių kontaktai turi visada būti švarūs. Tam, kad užtikrintumėte optimalią eksploatavimo trukmę, po naudojimo akumulatorius visiškai įkraukite. Ilgiausia veikimo trukmė pasiekama tada, kai visiškai įkrautas akumulatorius iš kroviklio iškart išimamas.

Akumuliatoriuje yra apsaugos nuo perkrovos funkcija, kuri padeda išvengti pernelyg didelės apkrovos ir padeda užtikrinti jo ilgaamžiškumą. Jei akumulatorius apkraunamas ekstremaliai, jo elektroninė sistema produktą automatiškai išjungia. Norėdami paleisti iš naujo, produktą išjunkite, tada vėl įjunkite. Jei produkto vėl paleisti nepavyksta, gali būti, kad akumulatorius yra visiškai iškrautas. Tokiu atveju jį reikia įkrauti akumuliatorių krovikliu.

Techninės priežiūros instrukcijos

- Laikykitės šalyje galiojančių vietinių aplinkosaugos taisyklių, reglamentuojančių saugų visų komponentų tvarkymą ir šalinimą.
- Bet kokie techninės priežiūros ar remonto darbai turėtų būti pavesti kvalifikuotiems specialistams, naudojantiems originalias atsargines dalis. Jei prirėmė pata-rimo dėl techninės priežiūros arba atsarginių dalių, susisieki-te su gamintoju ar artimiausiu įgaliotuoju preky-bos atstovu.
- Siekdami išvengti netyčinio įrenginio veikimo, visada patikrinkite, ar jis atjungtas nuo energijos šaltinio.
- Jei įrankis naudojamas kasdien, jį išardykite ir apžiūrėkite kas 3 mėnesius. Pakeiskite visas pažeistas arba nusidėvėjusias dalis.
- Visas plastikines dalis visada saugokite nuo kontakto su stabdžių skysčiu, benzinu, naftos produktais, skvarbio-siomis alyvomis ir pan. Tokios cheminės medžiagos plastiką gali pažeisti, susilpninti arba sunaikinti. Dėl to gali būti patirti sunkūs sužalojimai.
- Kai valote plastikines dalis, venkite tirpiklių. Daugelį plastikinių detalių komercinės paskirties tirpikliai gali pažeisti. Jei norite pašalinti nešvarumus, dulkes, alyvą, tepalą ar pan., naudokite švarias medžiagines šluostes.

Šalinimas

- Šią įrangą būtina šalinti laikantis atitinkamos šalies teisės aktų.
- Visi sugadinti, nusidėvėję ar netinkamai veikiantys įrenginiai **NEBEGALI BŪTI NAUDOJAMI**.

Ženkli ir lipdukai

Ant gaminio yra ženklų ir lipdukų su svarbia informacija apie asmens saugą ir gaminio priežiūrą. Ženkli ir lipdukai turi būti visada lengvai įskaitomi. Naujų ženklų ir lipdukų galima užsisakyti naudojantis atsarginių dalių sąrašu.



Simboliai



Prieš imdamiesi bet kokių darbu su šia mašina, išimkite akumulatorių.



Prieš mašiną paleisdami, atidžiai perskaitykite nurodymus.





Elektrinius įrankius draudžiama šalinti su buitinėmis atliekomis. Elektrinę ir elektroninę įrangą, nebetinkamą eksploatuoti, reikia surinkti atskirai ir grąžinti į aplinkos apsaugos reikalavimus atitinkančią grąžinamojo perdirbimo įstaigą. Dėl informacijos apie grąžinamąjį perdirbimą ir surinkimo vietas kreipkitės į vietos valdžios instituciją arba mažmeninės prekybos atstovą.



Naudotis šia mašina leidžiama tik užsidėjus akinius.

s011050

n_0	Greitis be apkrovos.
V	Voltaļ
min. ⁻¹	per min.
	Past. sr.
	ATSARGIAI! ĪSPĒJIMAS! PAVOJUS!

Naudinga informacija

Tinklaviētē

Informacija apie mūsų Gaminius, Priedus, Atsargines dalis ir Paskelbtus klausimus rasite Chicago Pneumatic puslapje.

Apsilankykite: www.cp.com.

Kilmēs šalis

HUNGARY

Saugos duomenų lapas

Saugos duomenų lapuose aprašomi cheminiai produktai, parduodami Chicago Pneumatic.

Apsilankykite Chicago Pneumatic svetainėje ir sužinokite daugiau qr.cp.com/sds.

Autorių teisēs

© Copyright 2022, CHICAGO PNEUMATIC Tool Co.LLC, 1815 Clubhouse Road, Rock Hill, SC 29730 - USA

Visos teisēs saugomos. Draudžiamas bet koks šio turinio ar jo dalies naudojimas arba kopijavimas neturint tam leidimo. Tai ypač taikoma prekių ženklams, modelių pavadinimams, dalių numeriams ir brėžiniams. Naudokite tik leistinas dalis. Jei gaminys veiks blogai arba suges dėl neleistinų dalių naudojimo, garantija nebus taikoma.

Tehniskie dati

Produkta apraksts

Lūdzu, skatiet ilustraciją 2: Produkta apraksts

- 1 Otrā mēlīte
- 2 Galvenā mēlīte
- 3 Displeja ekrāns
- 4 Iestatījumu pogas
- 5 LED indikatori
- 6 Reversā poga
- 7 Reakcijas stienis, S veida (komplektācijā ar instrumentu)

Deklarācijas

ES ATBILSTĪBAS DEKLARĀCIJA

Mēs, CHICAGO PNEUMATIC Tool Co.LLC 1815 Clubhouse Road, Rock Hill, SC 29730 - USA [Company Specific Company name], [Company Specific Company ad-

dress], vienpersoniski uzņēmoties atbildību, paziņojam, ka produkts (ar nosaukumu, tipu un sērijas numuru, kas atrodami titullapā) atbilst šai direktīvai(-ām):

2006/42/EC; 2011/65/UE; 2014/53/UE

Piemērotie saskaņotie standarti: EN 62841-2-2:2014 + AC1:2015; EN 55014-1:2017+11:2020; EN 55014-2:2015; EN 61000-6-2:2019; EN 61000-6-3:2007 + A1:2011; EN 300328V222; EN 301489-17V324; EN 301489-1V223; EN 62311:2008; EN 62479:2010

Iestādes var pieprasīt nepieciešamo tehnisko informāciju no: Pascal Roussy, R&D Manager, Ets Georges Renault, 38 rue Bobby Sands, BP10273 44818 Saint Herblain, France

Saint-Herblain, 2022/01/26

Pascal ROUSSY

Izsniedzēja paraksts



Pārskats par trokšņa un vibrācijas deklarāciju

- Skaņas spiediena līmenis < 72 dB(A), nenoteiktība 3 dB(A) saskaņā ar EN 62841-2-2:2015.
- Skaņas jaudas līmenis < 83 dB(A), nenoteiktība 3 dB(A) saskaņā ar EN 62841-2-2:2015.
- Kopējā vibrācijas vērtība < 2.5 m/s², nenoteiktība 3 m/s² saskaņā ar EN 62841-2-2:2015.

Šīs deklarētās vērtības tika iegūtas, testējot laboratorijas apstākļos atbilstoši norādītajiem standartiem, un ir piemērotas salīdzināšanai ar citu rīku deklarētajām vērtībām, kas testētas atbilstoši šiem pašiem standartiem. Šīs deklarētās vērtības nav piemērotas izmantošanai riska novērtējumos, un atsevišķās darbavietās veikto mērījumu rezultāti var būt lielāki. Faktiskās iedarbības vērtības un kaitējuma risks atsevišķam lietotājam ir unikāls un atkarīgs no lietotāja darba paņēmieniem, veicamā darba un darbstacijas uzbūves, kā arī no iedarbības laika un lietotāja fiziskā stāvokļa.

Mēs, CHICAGO PNEUMATIC Tool Co.LLC, neesam atbildīgi par izmantošanas sekām ar noteiktajām vērtībām, to vērtību vietā, kas parādā patieso atbildes reakciju, individuālo riska izvērtējumu darba vietā, kuru mēs nevaram ietekmēt.

Ja šī instrumenta lietošana netiek atbilstoši pārvaldīta, tas var izraisīt plaukstu/roku vibrāciju sindromu. ES vadlīnijas par plaukstu/roku vibrāciju var atrast ieejot <http://www.pneurop.eu/index.php> un atlasot "Rīki", tad "Likumi".

Iesakām izmantot veselības novērošanas programmu, lai atklātu agrīnus simptomus, kas varētu būt saistīti ar vibrācijas iedarbību, vai varētu mainīt atbilstošo darba organizāciju, nepieļaujot turpmāku stāvokļa pasliktināšanos.

- ⓘ Ja šī iekārta ir paredzēta statistiskiem pielietojumiem: Trokšņa emisijas vērtība ir paredzēta mašīnu ražotājiem. Trokšņa un vibrāciju emisijas dati par visu mašīnu jāsniedz mašīnas instrukciju rokasgrāmatā.

Bezvadu sakaru specifikācijas

BLUETOOTH® ZEMĀS ENERĢIJAS TEHNOLOĢIJA 4.2

Frekvence: 2400 MHz – 2483,5 MHz

EIRP: <10 dBm

Bluetooth® vārdiskā preču zīme un logotipi ir reģistrētas preču zīmes, kas pieder Bluetooth SIG, Inc.

Reģionālās prasības**⚠ BRĪDINĀJUMS**

Šis produkts var jūs pakļaut svina apdraudējumam, kurš Kalifornijas štatā ir zināms kā vēža un iedzimtu defektu izraisītājs, kā arī citu reproduktīvo funkciju kaitējumu avots. Lai saņemtu plašāku informāciju, apmeklējiet

<https://www.p65warnings.ca.gov/>

Drošība

NEIZMETIET — NODODIET LIETOTĀJAM

⚠ BRĪDINĀJUMS Izlasiet visus drošības brīdinājumus, norādījumus, ilustrācijas un specifikācijas, kas saņemtas kopā ar šo produktu.

Neievērojot visus tālāk sniegtos norādījumus, varat izraisīt elektrisko triecienu, ugunsgrēku, īpašuma bojājumus un/vai smagas traumas.

Saglabājiet visus brīdinājumus un norādījumus turpmākai uzziņai.

⚠ BRĪDINĀJUMS Pastāvīgi jāievēro visi vietējie drošības noteikumi, kas attiecas uz uzstādīšanu, ekspluatāciju un apkopi.**Produkta pielietojums**

- Tikai profesionālai lietošanai.
- Šo produktu un tā palīgaprīkojumu aizliegts jebkādā veidā pārveidot.
- Neizmantojiet šo produktu, ja tas ir bojāts.
- Ja produkta dati vai bīstamības brīdinājuma zīmes uz produkta vairs nav salasāmas vai atļīmējas, nekavējoties nomainiet tās.
- Šo produktu drīkst uzstādīt, lietot un apkalpot tikai kvalificēta persona rūpnieciskā montāžas vidē.

Paredzētais pielietojums

Šis produkts ir paredzēts tam, lai to lietotu pieaugušie, kas ir izlasījuši un sapratuši instrukcijas un brīdinājumus šajā rokasgrāmatā, un uzņemas pilnu atbildību par savām darbībām.

- Šis produkts paredzēts vītņotu stiprinājumu ieskrūvēšanai un izskrūvēšanai no koka, metāla vai plastmasas.
- Tikai lietošanai telpās.
- Neizmantojiet produktu citiem mērķiem, kas nav aprakstīti iepriekš.
- Citi lietošanas veidi nav atļauti.

Ieteicamie akumulatori

8940176068: CP36XP25

Ieteicamais lādētājs

8940176069: CP18-36CH

Ieteicamais reakcijas stienis

Izmantojiet reakcijas stieni (7), kas iekļauts komplektācijā ar instrumentu. Citiem modeļiem, skatiet reakcijas stieņa dokumenta atsauci Nr. 6159923710

Vispārīgi elektroinstrumentu drošības brīdinājumi**⚠ BRĪDINĀJUMS Izlasiet visus drošības brīdinājumus, norādījumus, ilustrācijas un specifikācijas, kas saņemtas kopā ar šo produktu.**

Neievērojot visus tālāk sniegtos norādījumus, varat izraisīt elektrisko triecienu, ugunsgrēku, īpašuma bojājumus un/vai smagas traumas.

Saglabājiet visus brīdinājumus un norādījumus turpmākai uzziņai.

Brīdinājumus ar vārdu „elektroinstrumenti” ir apzīmēts jūsu no elektrotīkla darbināmais elektroinstrumenti (ar vadu) vai ar akumulatora strāvu darbināmais (bezvadu) elektroinstrumenti.

Darba zonas drošība

- **Uzturiet darba zonu tīru un labi apgaismotu.** Nekārtīgās un tumšās vietās negadījumu risks ir lielāks.
- **Nestrādājiet ar elektroinstrumentiem sprādzienbīstamās vidēs, piemēram, ja tuvumā ir uzliesmojoši šķidrums, gāzes vai putekļi.** Elektroinstrumenti rada dzirksteles, kas var aizdedzināt putekļus vai dūmus.
- **Kamēr strādājat ar elektroinstrumentu, tuvumā nedrīkst atrasties bērni un citas personas.** Novēršot uzmanību, varat zaudēt kontroli.

Elektrodrošība

- **Elektroinstrumentu kontaktdakšām ir jāatbilst kontaktlīgzdai.** Nekādā gadījumā nekādā veidā nemodificējiet kontaktdakšu. Neizmantojiet kontaktdakšu adapterus ar sazēmētiem elektroinstrumentiem. Nemodificētas kontaktdakšas un atbilstošas kontaktlīgzdas mazinās elektrošoka risku.
- **Izvairieties no ķermeņa saskares ar sazēmētām virsmām, piemēram, caurulēm, radiatoriem un ledusskapjiem.** Elektrošoka risks ir lielāks, ja ķermenis ir sazēmēts.
- **Nepakļaujiet elektroinstrumentus lietus vai mitruma iedarbībai.** Ja elektroinstrumentā iekļūst ūdens, tas palielina elektrošoka risku.
- **Ar vadu rīkojieties atbilstoši.** Nekādā gadījumā neizmantojiet vadu elektroinstrumenta nešanai, vilkšanai vai atvienošanai no kontaktlīgzdas. Turiet vadu drošā attālumā no siltuma avotiem, eļļas, asām malām vai kustīgām daļām. Bojāti vai sapinušies vadi palielina elektrošoka risku.

- **Ja strādājat ar elektroinstrumentu ārā, izmantojiet pagarinātāju, kas piemērots lietošanai ārpus telpām.** Lietošanai ārpus telpām piemērots pagarinātājs samazina elektrošoka risku.
- **Ja nav iespējams izvairīties no strādāšanas ar elektroinstrumentu mitrā vietā, izmantojiet barošanas instalācijā noplūdes strāvas automātslēdzi (RCD).** RCD izmantošana mazina elektrošoka risku.

Personiskā drošība

- **Strādājot ar elektroinstrumentu, esiet uzmanīgs, sekojiet savām darbībām un rīkojieties saprātīgi.** Neizmantojiet elektroinstrumentu, kamēr esat noguris, vai narkotiku, alkohola un medikamentu iedarbības laikā. Neuzmanības mirklis, strādājot ar elektroinstrumentu, var izraisīt smagas traumas.
- **Izmantojiet individuālos aizsardzības līdzekļus. Vienmēr valkājiet acu aizsarglīdzekļus.** Aizsargierīces, piemēram, putekļu maskas, neslīdoši apavi, ķivere vai dzirdes aizsargi, kas jāizmanto attiecīgos apstākļos, mazina traumu risku.
- **Nodrošiniet ierīci pret neparedzētu iedarbināšanu. Pirms instrumenta pieslēgšanas barošanas avotam un/vai akumulatoram, tā pacelšanas vai nešanas pārbaudiet, vai barošanas slēdzis ir izslēgtā pozīcijā.** Elektroinstrumentu nešana ar pirkstu uz slēdža vai strāvas pieslēgšana instrumentiem, kuru barošanas slēdzis ir ieslēgtā pozīcijā, palielina negadījumu riskus.
- **Pirms ieslēdzat elektroinstrumentu, noņemiet regulēšanas atslēgas vai uzgriežņatslēgas.** Uzgriežņatslēga vai atslēga, kas palikusi piestiprināta pie elektroinstrumenta rotējošās daļas, var izraisīt traumu.
- **Nesniedzieties pārāk tālu. Vienmēr saglabājiet pienācīgu kāju balstu un līdzsvaru.** Tas atvieglo kontroli pār elektroinstrumentu negaidītās situācijās.
- **Ģērbieties atbilstoši. Nevalkājiet vaļīgu apģērbu vai rotaslietas. Matus un apģērbu turiet atstātus no kustīgām daļām.** Vaļīgs apģērbs, rotaslietas vai gari mati var iekļerties kustīgās daļās.
- **Ja komplektācijā ir iekļautas ietaises putekļu nosūkšanai un savākšanai, tām jābūt pieslēgtām un pareizi izmantotām.** Putekļu nosūkšana var mazināt ar putekļiem saistītos riskus.
- **Tāpēc, ka bieži esat lietojis šādus instrumentus, nekļūstiet bezrūpīgs un neignorējiet instrumenta drošības principus.** Bezrūpīgas darbības var radīt smagus bojājumus sekundes simtdaļas laikā.
- **Veicot darbus, kuros stiprinātājs var saskarties ar segtu elektroinstalāciju, turiet elektroinstrumentu aiz izolētajām satveršanas virsmām.** Ja stiprinājumi saskaras ar elektrību vadošu vadu, instrumenta atklātās metāla daļas var sākt vadīt elektrību un izraisīt elektrošoku operatoram.

Elektroinstrumenta lietošana un aprūpe

- **Nespiediet elektroinstrumentu ar spēku. Izmantojiet lietošanas veidam atbilstošu elektroinstrumentu.** Pareizais elektroinstrumenti paveiks darbu labāk un drošāk tajā ātrumā, kādam tas ir paredzēts.

- **Neizmantojiet elektroinstrumentu, ja to neieslēdz un neizslēdz barošanas slēdzis.** Jebkurš elektroinstrumenti, kuru nevar kontrolēt ar slēdzi, ir bīstams, un tam jāveic remonts.
- **Atvienojiet kontaktdakšu no barošanas avota un/vai akumulatoru (ja noņemams) no elektroinstrumenta, pirms veicat regulēšanu, maināt piederumus vai noglabājat elektroinstrumentu.** Šādi profilaktiski drošības pasākumi mazina elektroinstrumenta nejaušas palaišanas risku.
- **Glabājiet neizmantotus elektroinstrumentus vietās, kur tiem nevar piekļūt bērni, un neļaujiet ar elektroinstrumentu strādāt personām, kuras nepārzina šo elektroinstrumentu vai šos norādījumus.** Elektroinstrumenti neapmācīta lietotāja rokās ir bīstami.
- **Uzturiet darba kārtībā elektroinstrumentus un piederumus.** Pārbaudiet, vai kustīgās daļas nav izregulējušās vai aizķērušās, vai nav salūzušās daļas un vai nav kādu citu apstākļu, kas var ietekmēt elektroinstrumenta darbību. Ja tas ir bojāts, elektroinstrumentam pirms lietošanas jāveic remonts. Daudzus negadījumus izraisa slikti uzturēti elektroinstrumenti.
- **Gādājiet, lai griezējinstrumenti būtu asi un tīri.** Pareizi uzturētiem griezējinstrumentiem ar asām malām ir mazāks risks aizķerties, un tos ir vieglāk kontrolēt.
- **Izmantojiet elektroinstrumentu, piederumus un urbjus/darba ietaises utt. saskaņā ar šiem norādījumiem, ņemot vērā darba apstākļus un veicamos darbus.** Elektroinstrumentu izmantošana darbiem, kas atšķiras no paredzētā lietošanas veida, var izraisīt bīstamas situācijas.
- **Ievērojiet, lai rokturi un satveršanas virsmas būtu sausas, tīras un brīvas no eļļas un smērvielām.** Slideni rokturi un satveršanas virsmas nenodrošina drošu darbu un instrumenta kontroli neparedzētās situācijās.

Akumulatora instrumenta lietošana un aprūpe

- **Uzlādējiet tikai ar lādētāju, kādu norādījis ražotājs.** Lādētājs, kas paredzēts vienam akumulatoram, var izraisīt aizdegšanās risku, ja to izmanto ar citu akumulatoru.
- **Izmantojiet elektroinstrumentus tikai ar speciāli norādītajiem akumulatoriem.** Citu akumulatoru izmantošana var izraisīt traumu un aizdegšanās risku.
- **Kamēr akumulators netiek lietots, turiet to atstātus no citiem metāla priekšmetiem, piemēram, papīra skavām, monētām, atslēgām, naglām, skrūvēm vai citiem maziem metāla priekšmetiem, kas var radīt savienojumu starp akumulatora spailēm.** Akumulatora spaiļu īsslēgums var izraisīt apdegumus un aizdegšanos.
- **Smagos darba apstākļos no akumulatora var izkļūt šķidrums; izvairieties no saskares. Ja nejauši saskaraties ar to, noskalojiet ar ūdeni. Ja šķidrums nonāk acīs, lūdziet arī medicīnisku palīdzību.** No akumulatora iztecējis šķidrums var izraisīt kairinājumu vai apdegumus.

- **Nelietojiet akumulatoru vai instrumentu, kas ir bojāts vai pārveidots.** Bojāts vai pārveidots akumulators var sekmēt neparedzamas darbības, kā rezultātā var notikt degšana, sprādziens vai var rasties ievainojuma risks.
- **Nepakļaujiet akumulatoru vai instrumentu atklātai liesmai vai pārmērīgas temperatūras iedarbībai.** Pakļaušana atklātai liesmai vai temperatūrai virs 130 °C var izraisīt sprādzienu.
- **Sekoļiet visām uzlādēšanas instrukcijām un neuzlādējiet akumulatoru vai instrumentu ārpus temperatūras amplitūdas, kas norādīta norādījumos.** Nepareizi uzlādējot vai pie temperatūras ārpus norādītās amplitūdas, var tikt bojāts akumulators, un palielināties ugunsgrēka risks.

Apkope

- **Elektroinstrumenta apkope jāveic kvalificētai personai, izmantojot tikai identiskas rezerves daļas.** Tādā veidā tiks saglabāta elektroinstrumenta drošība.
- **Neveiciet bojāta akumulatora apkopi.** Akumulatora apkopi var veikt tikai ražotājs vai pilnvaroti pakalpojuma sniedzēji.

Produktam specifiskas instrukcijas

Brīdinājums!

Lai mazinātu ugunsgrēka risku, miesas bojājumus un izstrādājuma bojājumus īssavienojuma dēļ, nedrīkst iegremdēt instrumentu, akumulatoru vai lādētāju šķidrūmā vai ļaut šķidrūmam tajos ieplūst. Kodīgi vai vadītspējīgus šķidrūmus, piemēram, jūras ūdens, noteiktas rūpnieciskas ķīmiskas vielas un balinātāji vai balinātāju saturošas vielas, utt., var izraisīt īssavienojumu.

Speciāli piesardzības pasākumi

- Mašīnu drīkst izmantot tikai kopā ar saistīto reakcijas momenta stieni, kas ir piemērots attiecīgajam skrūvsavienojuma pielietojumam.
- Izmantojiet duālo mēlīti, lai samazinātu iespēju, ka pirksti vai rokas tiek iespiesti starp reakcijas stieni un apstrādājamo detaļu.

Vispārējā uzstādīšanas drošība

Uzstādīšanas darbus drīkst veikt tikai kvalificēts personāls.

Iekarīniet instrumentu, piemēram, balansierī. Lietojot piekares traversu, pārbaudiet, vai tas ir labā stāvoklī un pareizi piestiprināts.

Vienmēr pievienojiet sistēmu iezemētai kontaktligzdai. Pirms pieslēgt vai atslēgt instrumenta vadu, vienmēr pārlicinieties, ka barošanas kontaktspraudnis ir atvienots un kontrolleris ir izslēgts.

Speciāli piesardzības pasākumi

BRĪDINĀJUMS Saspiešanas briesmas

Duālā mēlīte piespiež lietotāju izmantot abas rokas, lai lietotu instrumentu. Ja to neizmanto, operators pielāgojot reakcijas stieni var nejauši iedarbināt instrumentu, tādējādi radot smagu rokas traumu.

- ▶ Pārlicinieties, vai instrumentu nevar iedarbināt, kad ir atlaista duālā mēlīte.
- ▶ Vienmēr pārbaudiet instrumentu, vispirms atlaižot duālo mēlīti un pēc tam nospiežot instrumenta mēlīti. Ja instruments ieslēdzas – pārtrauciet darbu.

Vispārējā darba drošība

- **Aizķeršanās riska dēļ nevalkāji cimdus.**
- **Esiet gatavi reakcijas spēkam, kas radīsies, lietojot instrumentu.** Vienmēr droši balstiet instrumenta rokturi pretēji vārpstas griešanās virzienam, lai mazinātu pēkšņa atsietiena sekas galējas pievilkšanas un sākotnējās atskrūvēšanas laikā.
- **Nekādā gadījumā neturiet piedziņu, mucīņu vai piedziņas pagarinājumu.**
- **Operatoru un apkopes darbinieku fiziskās sagatavotības līmenim ir jābūt tādām, lai varētu novaldīt instrumenta masu, izmērus un jaudu.**
- **Ja iespējams, izmantojiet piekares sviru, lai absorbētu reakcijas griezes momentu. Ja tas nav iespējams, taisna korpusa un pistoles roktura instrumentiem ieteicams izmantot sānu rokturus; leņķa uzgriežatslēgām ieteicams izmantot reakcijas stieņus.** Ieteicams izmantot palīgīdzekļus, lai absorbētu reakcijas griezes momentu virs 4 Nm (3 lbf.ft) taisna korpusa instrumentiem, virs 10 Nm (7,5 lbf.ft) pistoles roktura instrumentiem un virs 60 Nm (44 lbf.ft) leņķa uzgriežatslēgām.
- **Pārāk pievilkti vai vaļīgi stiprinājumi var radīt smagas traumas.** Montāžas mezgli, kuriem nepieciešams konkrēts griezes moments, ir jāpārbauda ar griezes momenta mērītāju. Tā saucamās „klikšķa” dinamometriskās uzgriežatslēgas nenodrošina pilnīgu aizsardzību pret pārāk stipru piegriešanu. Pārāk pievilkti vai vaļīgi stiprinājumi var lūzt vai atskrūvēties un atdalīties. Izkritušas detaļas no instrumenta var tikt izsviestas ar spēku.
- **Izmantojiet tikai elektroinstrumentiem vai pneimoinstrumentiem paredzētas mucīņas labā stāvoklī.** Neizmantojiet rokas instrumenta mucīņas.
- **Izmantojot elektroinstrumentu, operators var izjust diskomfortu plaukstās, rokās, plecos, kaklā vai citās ķermeņa daļās.** Visas darba dienas garumā pamainiet atbilstošas pozas, saglabājiet drošu atbalstu ar kājām un izvairieties no neērtām nelīdzsvarotām pozām.
- **Atkārtotas darba kustības, neērtas pozīcijas un vibrācijas iedarbība var kaitēt plaukstām un rokām.** Konstatējot nejutīgumu, tirpšanu, sāpes vai ādas bālumu, pārtrauciet instrumenta izmantošanu un konsultējieties ar ārstu.

- **Ievērojiet piesardzību, veicot darbus slēgtās telpās.** Sargiet rokas no iespīšanas starp instrumentu un apstrādājamo materiālu.
- **Liela skaņas intensitāte var izraisīt paliekošus dzirdes traucējumus.** Izmantojiet piemērotus ausu aizsardzības līdzekļus, kā to nosaka jūsu darba devējs vai darba drošības un veselības aizsardzības noteikumi.
- **Sekoļiet tam, lai apstrādājamais materiāls būtu kārtīgi nofiksēts.**
- **Ievērojiet piesardzību, strādājot svešā darba vidē.** Strādājot uzmanieties no potenciālas bīstamības, kas var rasties jūsu darbību rezultātā. Šis instruments nav nodrošināts pret saskari ar elektrisko strāvu vadošiem elementiem.

Instrumenti, ko izmanto kopā ar reakcijas stieni: Nekādā gadījumā nelieciet plaukstu reakcijas stieņa tuvumā, kamēr instruments tiek lietots. Pirms instrumenta iedarbināšanas noskaidrojiet vārpstas rotācijas virzienu, jo reakcijas spēks var būt vērsts negaidītā virzienā un izraisīt saspīšanas traumas.

Instrumentiem ar sajūgu: Neizmantojiet produktu, ja neesat pārliecinājies, vai sajūgs atslēdzas. Tūlīt pēc sajūga regulēšanas pārbaudiet instrumenta pareizu darbību.

⚠ BRĪDINĀJUMS Ievainojumu risks

Pārliecinieties, ka tiek izmantots pareizais parametru fails. Nepareizs parametru fails var izraisīt pārāk lielu griezes momentu, kā rezultātā var tikt radīti miesas bojājumi.

- ▶ Salīdziniet kontrollerī parādīto maksimālo griezes momentu ar maksimālo griezes momentu, kas norādīts instrumenta tehniskajos datos, tiem jābūt vienādiem.

Vispārīgas instrukcijas

Instrumentu drīkst izmantot tikai kopā ar saistīto reakcijas momenta stieni, kas ir piemērots attiecīgajam skrūvēšanas pielietojumam.

⚠ BRĪDINĀJUMS Saspīšanas risks



Pirms sākšanas veiciet instrumenta rotācijas virziena pārbaudi! Neparedzēta rotācijas virziena maiņa var radīt ķermeņa savainojumus un īpašuma bojājumus. Kustīgās daļas var saspīst un sagriezt ķermeņa daļas.

- ▶ Pirms instrumenta lietošanas pārliecinieties, ka instrumenta rotācijas virziens ir pareizs.
- ▶ Turiet rokas un pirkstus atstātus no kustīgām daļām.

Instrumenta lietošana

1. Samontējiet reakcijas stieni, ievērojot šajā dokumentā aprakstītos drošības norādījumus.
2. Aprīkojiet instrumentu ar piemērotu mucīņu, ievērojot šajā dokumentā aprakstītos drošības norādījumus.

3. Iestatiet pareizo režīmu, izmantojot iestatījumu pogas (4) un displeja ekrānu (3).
4. Izvēlieties pareizo griešanās virzienu, izmantojot re-verse pogu (6).
5. Pozicionējiet instrumentu un reakcijas sviru (7), ievērojot šajā dokumentā aprakstītos drošības norādījumus.
6. Nospiediet un turiet nospiešanu otro mēlīti (1).
7. Nospiediet un turiet nospiešanu galveno mēlīti (2).
8. Turiet mēlītes (1 un 2) nospiešanas līdz darba beigām.
9. Pārbaudiet darba stāvokli LED indikatoros (5). Zaļš (kārtībā), sarkans (nav kārtībā).

Akumulators

Akumulatori, kas nav izmantoti kādu laiku, pirms lietošanas atkal jāuzlādē.

Temperatūra, kas pārsniedz 50 ° C (122 ° F), samazina akumulatora veiktspēju. Izvairieties no ilgstošas siltuma vai saules iedarbības (pārkaršanas risks).

Lādētāju un akumulatoru kontaktiem jābūt tīriem.

Lai nodrošinātu optimālu kalpošanas laiku, pēc izmantošanas akumulatoriem jābūt pilnībā uzlādētiem. Lai pēc iespējas ilgāk lietotu akumulatoru, izņemiet to no akumulatora lādētāja, tiklīdz tas ir pilnībā uzlādēts.

Akumulatoram ir pārlādēšanas aizsardzība, kas to pasargā no pārlādēšanas un ļauj nodrošināt tā ilgmūžību. Pie ārkārtas slodzes akumulatora elektronika automātiski izslēdzas. Lai to restartētu, izslēdziet izstrādājumu un pēc tam atkal ieslēdziet. Ja izstrādājums vēlreiz neieslēdzas, iespējams, akumulators ir pilnībā izlādējies. Šajā gadījumā tas jāuzlādē akumulatoru lādētājā.

Apkopes norādījumi

- **Ievērojiet vietējos vides normatīvus par apiešanos ar visiem komponentiem un to utilizāciju.**
- Apkopes un remonta darbi jāveic kvalificētam personālam, izmantojot tikai oriģinālās rezerves daļas. Sazinieties ar ražotāju vai tuvāko pilnvaroto izplatītāju, lai saņemtu konsultāciju par tehnisko apkopi, vai, ja jums ir nepieciešamas rezerves daļas.
- Vienmēr pārliecinieties, ka mašīna ir atslēgta no enerģijas avota, lai izvairītos no nejaušas darbināšanas.
- Demontējiet un pārbaudiet instrumentu ik pēc 3 mēnešiem, ja instruments tiek lietots katru dienu. Nomainiet bojātas vai nodilušas daļas.
- Nekādā gadījumā neļaujiet bremžu šķidrumiem, benzīnam, naftas produktiem, iekļūstošām eļļām u.c., saskarties ar plastmasas detaļām. Ķīmiskās vielas var sabojāt, vājināt vai iznīcināt plastmasu, kas var izraisīt nopietnus savainojumus.
- Plastmasas detaļu tīrīšanai neizmantojiet šķīdinātājus. Vairumam plastmasas detaļu bojājumi var rasties no dažāda veida komerciālajiem šķīdinātājiem, kuru lietošana var sabojāt šīs daļas. Izmantojiet tīras drēbes, lai noņemtu netīrumus, putekļus, eļļu, taukus u.c.

Utilizācija

- Šī aprīkojuma utilizācijai jānotiek, ievērojot attiecīgās valsts likumdošanu.

- Visu bojāto, smagi nolietoto vai nepareizi darbojošos ierīču **EKSPLUATĀCIJA IR JĀPĀRTRAUC.**

Zīmes un uzlīmes

Produktam ir zīmes un uzlīmes, kas satur svarīgu informāciju par personisko drošību un produkta apkopi. Zīmēm un uzlīmēm vienmēr jābūt viegli salasāmām. Jaunas zīmes un uzlīmes var pasūtīt, izmantojot rezerves daļu sarakstu.



s011050

APZĪMĒJUMI

	Izņemiet akumulatoru, pirms sākat darbu pie iekārtas.
	Pirms iekārtas palaišanas uzmanīgi izlasiet norādījumus.
	Neizmetiet elektroinstrumentus kopā ar sadzīves atkritumiem. Elektroinstrumenti un elektroniskās iekārtas, kurām beidzies kalpošanas laiks, jāsavāc atsevišķi un jānogādā uz videi nekaitīgu pārstrādes uzņēmumu. Lai saņemtu ieteikumus par otrreizējo pārstrādi un noskaidrotu savākšanas punktu, sazinieties ar vietējo pašvaldības iestādi vai mazumtirgotāju.
	Lietojot iekārtu, vienmēr valkājiet aizsargbrilles.
n_0	Brīvgaitas ātrums.
V	Volti
min^{-1}	minūtē
	Līdzstrāva
	UZMANĪBU! BRĪDINĀJUMS! BĪSTAMI!

Noderīga informācija

Vietne

Informāciju par mūsu produktiem, piederumiem, rezerves daļām un publicētajiem materiāliem var atrast Chicago Pneumatic tīmekļa vietnē.

Lūdzu, apmeklējiet: www.cp.com.

Izcelsmes valsts

HUNGARY

Drošības datu lapa

Drošības datu lapās aprakstīti Chicago Pneumatic pārdotie ķīmiskie produkti.

Lai iegūtu plašāku informāciju, lūdzu, apmeklējiet Chicago Pneumatic tīmekļa vietni qr.cp.com/sds.

Autortiesības

© Autortiesības 2022, CHICAGO PNEUMATIC Tool Co.LLC, 1815 Clubhouse Road, Rock Hill, SC 29730 - USA

Visas tiesības paturētas. Satura vai tā daļas neatļauta izmantošana vai kopēšana ir aizliegta. It sevišķi tas attiecas uz preču zīmēm, modeļu nosaukumiem, daļu numuriem un rasējumiem. Izmantojiet tikai atļautas daļas. Bojājumus vai darbības traucējumus, kurus izraisījusi neatļautu daļu lietošana, nesedz garantija vai ražotāja atbildība par produktu.

技术数据

产品描述

请参考插图2: 产品描述

- 1 第二触发器
- 2 主触发器
- 3 显示屏
- 4 设置按钮
- 5 报告 LED
- 6 反向按钮
- 7 S 型反作用杆 (随工具一起交付)

声明

EU 符合性声明

我们 (CHICAGO PNEUMATIC Tool Co.LLC, 1815 Clubhouse Road, Rock Hill, SC 29730 - USA) 全权声明, 本产品 (名称、型号和序列号, 请见首页) 符合以下指令:

2006/42/EC; 2011/65/UE; 2014/53/UE

应用的协调标准: EN 62841-2-2:2014 + AC1:2015; EN 55014-1:2017+11:2020; EN 55014-2:2015; EN 61000-6-2:2019; EN 61000-6-3:2007 + A1:2011; EN 300328V222; EN 301489-17V324; EN 301489-1V223; EN 62311:2008; EN 62479:2010

政府机构可索取相关技术信息:

Pascal Roussy, R&D Manager, Ets Georges Renault, 38 rue Bobby Sands, BP10273 44818 Saint Herblain, France

Saint-Herblain, 2022/01/26

Pascal ROUSSY

发布者签名

噪音与振声明

- 声压级 < 72 dB(A), 不确定性 3 dB(A), 符合 EN 62841-2-2:2015。
- 声功率级 < 83 dB(A), 不确定性 3 dB(A), 符合 EN 62841-2-2:2015。
- 总振动值 < 2.5 m/s², 不确定性 3 m/s², 符合 EN 62841-2-2:2015。

以上声明值是根据一定标准获得的实验室测量值，可以与使用其它工具按照相同标准所测得的声明值进行对比。这些声明值不适合用于风险评估，在个别工作地点测出的值可能会更高。每个用户所经历的实际接触值和损害风险都各不相同，这取决于用户的工作方式，工件、工作站设计以及接触时间和用户的身体状况。

我们 (CHICAGO PNEUMATIC Tool Co.LLC) 郑重声明：对于在不受我们控制的工作场所状况下进行的单独风险评估，如使用声明值而非实际暴露值，则我们对后果概不负责。

如果该工具在使用时未经适当管理，则可能会导致手臂振动综合症。有关预防手臂振动的 EU 指南，请通过访问 <http://www.pneurol.eu/index.php> 并选择“工具” - “法规”进行查看。

我们建议制定一个健康监督方案，以尽早检测出可能与振动接触相关的早期症状，从而对管理程序进行修改，避免今后造成损害。

- ① 如果本设备适合于拧紧机系统：所提供的噪声排放信息可供机器装配者参考。整套机器的噪声和振动发射数据应在机器的指导手册中提供。

无线通信规范

BLUETOOTH LOW ENERGY 4.2®

频率：2400 MHz - 2483.5MHz

EIRP：<10 dBm

Bluetooth® 文字标记和徽标是 Bluetooth SIG, Inc 拥有的注册商标

区域性要求

⚠ 警告

该产品可能会使您暴露于化学物质（包括铅），加利福尼亚州已明确铅可导致癌症和先天缺陷或其他生殖危害。更多信息请访问

<https://www.p65warnings.ca.gov/>

安全

切勿丢弃 – 请交给使用者

⚠ 警告 阅读随本产品提供的所有安全警告、说明、图解和规格。

不遵守下列全部说明可能导致电击、火灾、财产损失和/或严重的伤害。

保存所有警告和说明书以备查阅。

⚠ 警告 安装、操作以及维护过程中必须始终遵守当地的安全法规。

使用声明

- 仅供专业使用。
- 此产品及其附件不得以任何形式进行改造。
- 如果此产品已损坏，则不得使用。
- 如果产品上的产品数据或危险警示牌不再清晰可读或已脱落，请立即更换。

- 该产品必须只能由具有相关资质的人员在工业环境中安装、操作和维护。

预期用途

此产品只能由阅读并理解本手册中的说明和警告、并且可以被视为对其行为负责的成年人使用。

- 此产品用于安装和拆卸木制、金属制或塑料制的螺纹扣件。
- 仅供室内使用。
- 不要将此产品用于上述用途以外的任何其他用途。
- 不得用于其它用途

推荐电池

8940176068: CP36XP25

推荐充电器

8940176069: CP18-36CH

推荐反作用杆

使用随工具一起交付的反作用杆。其他型号请参考反作用杆文档（参考编号 6159923710）

电动工具通用安全警告

⚠ 警告 阅读随本产品提供的所有安全警告、说明、图解和规格。

不遵守下列全部说明可能导致电击、火灾、财产损失和/或严重的伤害。

保存所有警告和说明书以备查阅。

在所有下列的警告中术语“电动工具”指市电驱动（有线）电动工具或电池驱动（无线）电动工具。

工作场地的安全

- 保持工作场地清洁和明亮。混乱和黑暗的场地会引发事故。
- 不得在爆炸性环境（例如存在易燃液体、气体或粉尘的环境）中操作电动工具。电动工具产生的火花会点燃粉尘或气体。
- 让儿童和旁观者离开后操作电动工具。注意力不集中会使操作者失去对工具的控制。

电气安全

- 电动工具插头必须与插座相配。绝不能以任何方式改装插头。需接地的电动工具不能使用任何转换插头。未经改装的插头和相配的插座将减少电击危险。
- 避免人体接触接地表面，如管道、散热片和冰箱。如果你身体接地会增加电击危险。
- 不得将电动工具暴露在雨中或潮湿环境中。水进入电动工具将增加电击危险。
- 不得滥用电线。绝不能用电线搬运、拉动电动工具或拔出其插头。使电线远离热源、油、锐边或运动部件。受损或缠绕的软线会增加电击危险。
- 当在户外使用电动工具时，使用适合户外使用的外接软线。适合户外使用的软线将减少电击危险。
- 如果在潮湿环境下操作电动工具是不可避免的，应使用剩余电流动作保护器 (RCD)。使用 RCD 可减少电击危险。

人身安全

- 保持警觉，当操作电动工具时关注所从事的操作并保持清醒。当你感到疲倦，或在有药物、酒精或治疗反应时，不要操作电动工具。在操作电动工具时瞬间的疏忽会导致严重人身伤害。
- 使用个人防护装置。始终佩戴护目镜。安全装置，诸如适当条件下使用防尘面具、防滑安全鞋、安全帽、听力防护等装置能减少人身伤害。
- 防止意外起动。确保开关在连接电源和/或电池盒、拿起或搬运工具时处于关断位置。手指放在已接通电源的开关上或开关处于接通时插入插头可能会导致危险。
- 在电动工具接通之前，拿掉所有调节钥匙或扳手。遗留在电动工具旋转零件上的扳手或钥匙会导致人身伤害。
- 手不要伸展得太长。时刻注意立足点和身体平衡。这样在意外情况下能很好地控制电动工具。
- 着装适当。不要穿宽松衣服或佩戴饰品。让你的头发和衣服远离运动部件。宽松衣服、佩饰或长发可能会卷入运动部件中。
- 如果提供了与排屑、集尘设备连接用的装置，要确保他们连接完好且使用得当。使用这些装置可减少尘屑引起的危险。
- 不要以为熟练操作工具就自满大意，而无视工具安全原则。操作疏忽可能瞬间导致重伤。
- 在紧固件可能与隐藏接线接触之处进行操作时，请手握电动工具的绝缘抓握表面。紧固件接触“带电”电线可能导致电动工具的裸露金属部件“带电”，并可能造成操作员触电。

电动工具使用和注意事项

- 不要滥用电动工具。根据用途使用适当的电动工具。选用适当设计的电动工具会使你工作更有效、更安全。
- 如果开关不能接通或关断工具电源，则不能使用该电动工具。不能用开关来控制的电动工具是危险的且必须进行修理。
- 在进行任何调节、更换附件或贮存电动工具之前，必须从电源上拔掉插头和/或使电池盒（如果可拆卸）与工具脱开。这种防护性措施将减少工具意外起动的危险。
- 将闲置不用的电动工具贮存在儿童所及范围之外，并且不要让不熟悉电动工具或对这些说明不了解的人操作电动工具。电动工具在未经培训的用户手中是危险的。
- 维护电动工具和配件。检查运动件是否调整到位或卡住，检查零件破损情况和影响电动工具运行的其他状况。如有损坏，电动工具应在使用前修理好。许多事故由维护不良的电动工具引发。
- 保持切削刀具锋利和清洁。保养良好的有锋利切削刃的刀具不易卡住而且容易控制。
- 按照使用说明书，考虑作业条件和进行的作业来使用电动工具、附件和工具的刀头等。将电动工具用于那些与其用途不符的操作可能会导致危险。
- 保持手柄和抓握表面清洁、干爽，同时不含润滑油和润滑脂。在出现意外状况时湿滑的手柄和抓握表面将无法安全操控工具。

电池供电工具的使用与保养

- 必须使用厂商指定的充电器充电。将适合一种电池组类型的充电器用于其他电池组时，有造成火灾的危险。
- 必须将电动工具与专门指定的电池组配套使用。使用任何其他电池组都有造成受伤和火灾的风险。
- 当不使用电池组时，使其远离曲别针、硬币、钥匙、钉子、螺钉等其他金属物件，或者会导致接线端互相连接的其他小型金属物件。电池端子之间短路可能会造成烧烫伤或火灾。
- 使用不当时，电池液可能会从电池内喷出；避免接触。如果发生意外接触，用清水冲洗。如果液体接触眼睛，还应寻求医疗救助。电池中泄露出的液体可能会导致刺激或灼伤。
- 不要使用受损或改装的电池组或工具。受损或改装的电池可能出现意外问题，从而导致火灾、爆炸或受伤风险。
- 不得将电池组或工具置于火旁或使其经受超高温。置于火旁或经受超过 130 °C 的温度可能引起爆炸。
- 遵守各项充电操作说明，不得在操作说明规定的温度范围之外给电池组或工具充电。充电不当或在规定的温度范围之外充电可能损坏电池并增大着火的风险。

维修

- 将你的电动工具送交专业维修人员，使用同样的备件进行修理。这样将确保所维修的电动工具的安全性。
- 切勿修理损坏的电池组。只能由制造商或授权服务供应商对电池组进行维修。

产品特定说明

警告！

为了减少由于短路造成的火灾、人身伤害和产品损坏的风险，切勿将工具、电池组或充电器浸入液体中，或让液体流入其中。腐蚀性或导电性流体（如海水、某些工业化学品以及含漂白剂或漂白剂的产品等）可能会导致短路。

特殊预防措施

- 机器只有配备相应的扭矩反作用力臂（适应于相应的螺纹连接件应用）才可以使使用。
- 使用双触发器，以最大限度减少手指或手卡在反作用力臂和工件之间的风险。

一般安装安全

只能由具有相应资质的人员来执行安装工作。

将工具牢固地悬挂起来，例如使用平衡机构。使用悬挂吊环时，检查吊环的状况并确保正确拧紧。

始终将系统连接至接地插座。在连接或断开工具电缆之前，须始终确保断开电源插头并关闭控制器。

特殊预防措施**⚠ 警告 挤压风险**

双触发器强制用户使用双手操作工具。如果不使用该装置，操作人员可能会在调整反应杆时意外启动工具，从而导致手部受到严重伤害。

- ▶ 确保在松开双触发器时不会启动工具。
- ▶ 测试工具时，始终先松开双触发器的触发器，再按下工具的触发器。一旦工具启动，停止工作。

一般操作安全

- 由于存在缠绕风险，请勿佩戴手套。
- 工具使用过程中会有反作用力，请对此有所准备。在主轴旋转的相反方向始终安全地支撑住工具把手，以减少在最后拧紧和初始松开期间突然的扭矩反作用所产生的影响。
- 不得握住驱动装置、套筒或驱动器延长件。
- 操作人员和维护人员必须有足够的体力掌握体大沉重的动力工具。
- 如有可能，应使用悬臂以抵御反作用转矩。如不可能，对于手钻和带握把手钻工具，建议使用侧手柄；对于角度螺母扳手，建议使用反作用杆。我们建议应避免采取各种方式抵御反作用转矩以避免：手钻工具超过 4 Nm (3 lbf.ft)；带握把手钻工具超过 10 Nm (7.5 lbf.ft)；角度螺母扳手超过 60 Nm (44 lbf.ft)。
- 紧固件拧得过紧或过松可能导致严重伤害。配件需要特定的扭矩，因此必须使用扭矩计进行检查。所谓的“棘爪”扭矩扳手无法检查是否存在扭矩过大的危险情况。紧固件拧得过紧或过松可能会断裂、松动或分离。弹射出的配件可能相当于射出的子弹。
- 只能使用完好的电动或机动扳手。不得使用手动扳手。
- 使用电动工具时，操作人员的双手、手臂、肩膀、脖子或身体其他部位可能会感到不适。整个工作日在适当的姿势之间变换，保持双脚站稳，避免尴尬或不平衡的姿势。
- 重复性动作、别扭的姿态和受到振动可能对双手和手臂造成伤害。如果发现手脚麻木、刺痛、疼痛或皮肤发白，应停止使用本工具并即刻就医。
- 在密闭空间内操作时要小心。不要把手放在工具和工件之间，以避免手被夹伤。
- 高分贝的声音可能造成永久性听力丧失。请佩戴贵公司建议的或符合职业健康和安全的听力保护装置。
- 确保工件牢固固定。
- 在不熟悉的环境中，请谨慎操作。要清楚您的作业活动可能导致的潜在危险。此工具并未与电源隔离。

与反作用力臂一起使用的工具：使用工具时绝对不要让手靠近反作用力臂。在启动工具前必须清楚轴的旋转方向，否则可能会导致意外方向的反作用力，带来挤压伤的风险。

包含离合器的工具：切勿在未确保离合器松开的情况下使用产品。调整完离合器后，立即检查能否正确操作。

⚠ 警告 存在受伤风险

确保使用正确的参数文件。错误的参数文件可能会导致扭矩过高，从而造成人身伤害。

- ▶ 将控制器中显示的最大扭矩与工具技术数据中规定的最大扭矩进行比较，它们应该相同。

一般说明

工具只有配备相应的反作用杆（适用于相应的螺纹连接件应用）才可以使用。

⚠ 警告 挤压危险

6158716540 6158716530

在开始前务必检查工具转动方向！在意外转动方向下启动可能会造成严重的人身伤害或财产损失。活动部件可能造成挤压和割伤。

- ▶ 确保在启动工具前转动方向正确。
- ▶ 避免双手和手指靠近移动部件。

操作工具

1. 按照本档中描述的安全说明组装反作用杆。
2. 按照本档中描述的安全说明为工具安装合适的套筒。
3. 使用设置按钮 (4) 和显示屏 (3) 设置正确的模式。
4. 使用反向按钮 (6) 选择正确的方向。
5. 按照本档中描述的安全说明放置工具和反作用杆 (7)。
6. 按下第二触发器 (1) 并保持压力。
7. 按下主触发器 (2) 并保持压力。
8. 保持触发器压力 (1 和 2) 直到操作结束。
9. 检查报告 LED (5) 上的操作状态。绿色 (Ok)；红色 (NOK)。

电池

一段时间未使用的电池组应在使用前进行充电。温度超过 50°C (122°F) 时会使电池组性能下降。避免长时间暴露在热源或阳光下（存在过热风险）。充电器和电池组的触点必须保持洁净。为优化寿命，使用后电池组必须充满电。为获得尽可能最长的电池寿命，一旦充满电必须将电池组从充电器中取出。

电池组具有可以防止过载的过载保护功能，并有助于确保较长的使用寿命。在极端压力下，电池电子器件会自动关闭产品。要重新启动，请关闭产品，然后重新打开。如果产品不能再次启动，电池组可能已经完全放电。在这种情况下，它必须在电池充电器中充电。

维护说明

- 请遵守当地的国家环境法规，安全处理和弃置所有组件。

- 必须由合格人员使用原装备件进行维护和修理工作。如果需要关于技术维修的建议或者需要备件，请与制造商或最近的授权经销商联系。
- 务须确保机器断开与能源的连接，以免意外运行。
- 如果工具每天都使用，请每3个月拆下并检查工具一次。更换损坏或磨损的部件。
- 任何时候都不要让制动液、汽油、石油基产品、渗透油等与塑料部件接触。化学品可能会损坏、削弱或毁坏塑料部件，这可能会导致严重的人身伤害。
- 清洁塑料部件时请避免使用溶剂。大多数塑料容易受到各种商业溶剂的损害，并可能因其使用而受损。使用干净的布去除污垢、灰尘、油、油脂等。

处置

- 处置此设备必须遵守相应国家的法律。
- 所有损坏、严重磨损或功能不正常的设备**必须停止运行**。

标志和贴纸

产品配备的标贴含有个人使用安全和产品维护方面的重要信息。标贴应始终易于阅读。可以使用备件列表订购新标贴。



S011050

符号

	在机器上开始任何作业之前，请取下电池组。
	启动机器之前请仔细阅读说明。
	请勿将电动工具与生活垃圾一起处置。达到使用寿命的电动工具和电子设备必须分开收集并送交环保回收机构。向您当地的主管部门或零售商咨询回收建议和回收点。
	使用机器时务必佩戴护目镜。
n_0	空载速度。
V	电压
min^{-1}	每分钟
	直流电
	小心！警告！危险！

有用的信息

网站

有关我们的产品、配件、备件和已发布事项的信息，请访问 Chicago Pneumatic 网站。

请访问：www.cp.com。

原产地

HUNGARY

安全数据表

安全数据表描述 Chicago Pneumatic销售的化学产品。

有关更多信息，请访问 Chicago Pneumatic网站 qr.cp.com/sds。

版权所有

© 版权所有 2022, CHICAGO PNEUMATIC Tool Co.LLC, 1815 Clubhouse Road, Rock Hill, SC 29730 - USA

保留所有权限。禁止对此内容或其部分内容进行任何未经授权的使用或复制。本规定专门适用于商标、型号名称、部件编号和图纸。请仅使用经授权的部件。保修或产品责任不包括任何由于使用未经授权的部件而造成的损坏或故障。

技術データ

製品の説明

イラストを参照してください2: 製品の説明

- 1 二次トリガー
- 2 一次トリガー
- 3 ディスプレイ画面
- 4 設定ボタン
- 5 レポートLED
- 6 リバースボタン
- 7 反カバースタイプ (ツールに付属)

宣言

EU 適合宣言

弊社CHICAGO PNEUMATIC Tool Co.LLC、1815 Clubhouse Road, Rock Hill, SC 29730 - USAは、弊社製品 (名称、タイプ、およびシリアル番号あり、フロントページ参照) が次の指令に準拠していることを、当社のもっぱらの責任の下で宣言します：

2006/42/EC; 2011/65/UE; 2014/53/UE

適用する整合規格：EN 62841-2-2:2014 + AC1:2015; EN 55014-1:2017+11:2020; EN 55014-2:2015; EN 61000-6-2:2019; EN 61000-6-3:2007 + A1:2011; EN 300328V222; EN 301489-17V324; EN 301489-1V223; EN 62311:2008; EN 62479:2010

当局は、以下から関連する技術情報を要求できます。
Pascal Roussy, R&D Manager, Ets Georges Renault, 38 rue Bobby Sands, BP10273 44818 Saint Herblain, France

Saint-Herblain, 2022/01/26

Pascal ROUSSY

発行者による署名



騒音と振動に関する宣言

- 音圧レベル < 72dB (A)、不確かさ 3 dB (A)、EN 62841-2-2:2015に準拠。
- 音響出力レベル < 83 dB(A)、不確かさ 3 dB(A)、EN 62841-2-2:2015に準拠。
- 振動合計値 < 2.5 m/s² 不確かさ、3 m/s²、EN 62841-2-2:2015に準拠。

これらの宣言値は、規定の基準に従って行われた実験室環境でのテストにより得られたもので、同じ基準に従ってテストされた他のツールの宣言値との比較に適する。これらの宣言値は、リスク評価における使用には適しておらず、個々の作業現場における測定値が宣言値を上回る場合もあり得る。実際の暴露値と個々の使用者が被る被害は様々であり、使用者の作業方法、作業対象物、作業環境、および使用者の暴露時間と健康状態に依存する。

当社 CHICAGO PNEUMATIC Tool Co.LLCは、弊社が管理できない作業場所の状況における個々のリスク評価において、実際の露出を反映した値ではなく宣言した値を使用した影響に対して責任を負うことはできません。

本ツールの利用が適切に管理されなければ、手腕振動障害を引き起こすことがあります。手腕振動を管理するためのEUのガイドは、<http://www.pneuop.eu/index.php> にアクセスし、「ツール」、次に「法制」を選択すれば見ることができます。

振動暴露によると思われる初期症状を発見するために、定期的な健康診断の実施が望ましい。これにより、将来の機能障害を防ぐための管理手法を見直すことが可能となる。

- ① 本装置を固定して使用する場合、放出騒音は機械組立員への参考として表示してあります。完成機械用の放出騒音および放出振動のデータは機械の取扱説明書に記載されています。

ワイヤレス通信の仕様

BLUETOOTH低エネルギー4.2®

周波数：2400 MHz ~ 2483.5MHz

EIRP: <10 dBm

Bluetooth®のワードマークおよびロゴは、Bluetooth SIG, Incが所有する登録商標です。

地域の要件

⚠ 警告

本製品によって、カリフォルニア州において癌や出生異常、その他生殖能への悪影響を引き起こすことが知られている鉛などの化学物質に晒されることがあります。詳細情報については<https://www.p65warnings.ca.gov/> をご覧ください。

<https://www.p65warnings.ca.gov/>

安全

捨てないでください - ユーザに渡してください

⚠ 警告 本製品に付属するすべての安全警告、指示、図、仕様をお読みください。

以下に列記したすべての指示に従わない場合、感電、火災、物的損害および/あるいは重傷に至る危険性があります。

今後の参考のために、すべての警告と注意事項を保管しておいてください。

⚠ 警告 設置、運転、およびメンテナンスに関連する、地域で制定された安全基準は常に順守されなければなりません。

使用に関するステートメント

- 業務用専用です。
- 本製品とその付属品は絶対に改造しないでください。
- 損傷している場合は本製品を使用しないでください。
- 本製品のツールデータ、危険性の警告サインの読み取りができなくなったり、外れている場合、即座に交換してください。
- 本製品は、工業的環境において有資格の担当者のみが設置、操作、修理するようにしてください。

用途

本製品は、本マニュアルの注意事項と警告を読んで理解しており、自らの行為に対する責任を負うことのできる成人のみを使用対象としています。

- 本製品は、木製、金属製、またはプラスチック製のネジ付きファスナの取り付けと取り外しのために設計されています。
- 屋内使用のみ。
- 上記以外の目的で製品を使用しないでください。
- その他の用途での使用は許可されていません。

推奨バッテリー

8940176068: CP36XP25

推奨チャージャー

8940176069: CP18-36CH

推奨反力バー

ツールに同梱の反力バー (7) を使用してください。他のモデルについては、反力バーのドキュメント 6159923710 を参照してください。

パワーツールの一般的な安全警告

⚠ 警告 本製品に付属するすべての安全警告、指示、図、仕様をお読みください。

以下に列記したすべての指示に従わない場合、感電、火災、物的損害および/あるいは重傷に至る危険性があります。

今後の参考のために、すべての警告と注意事項を保管しておいてください。

警告における用語「パワーツール」は、主電源動作（コード付き）パワーツールやバッテリー動作（コードレス）パワーツールを指します。

作業エリアの安全

- 作業エリアは清浄で、照明が十分な状態を維持してください。散らかっていたり、照明が十分でない、事故を招くことがあります。
- 可燃性の液体、ガスまたは粉塵が存在するような爆発性の雰囲気ではパワーツールを使用しないでください。パワーツールが火花を発生し、粉塵や噴煙に引火するおそれがあります。
- パワーツールの使用中は、子どもや第三者を近づけないでください。気を取られると、操作を誤る可能性があります。

電気的安全

- パワーツールのプラグは、コンセントと適合している必要があります。いかなる形でも決してプラグを改造しないでください。アース（接地）されたパワーツールでアダプタプラグを扱わないでください。改造されていないプラグおよび適合しているコンセントを使用することで感電の危険性が低下します。
- 接地された面（パイプ、ラジエータ、レンジ、冷蔵庫など）に身体が触れないようにしてください。使用者の身体が接地されると、感電の危険性が高まります。
- パワーツールを雨や湿った条件下にさらさないでください。パワーツールに水が入ると、感電の危険性が高まります。
- コードの間違った使い方をしないでください。パワーツールを運んだり、引いたり、プラグを抜いたりするのに決してコードを使わないでください。コードは、熱、油、鋭利な物の縁、パーツの可動部に近づけないでください。損傷したり、絡まったりしたコードを使用すると、感電の危険性が高まります。
- 屋外でパワーツールを使用するときは、屋外での使用に適した延長コードを使用してください。屋外での使用に適したコードを使用することで感電の危険性が低下します。
- やむを得ずパワーツールを湿った場所で使用しなければならない場合は、残留電流装置（RCD）で保護された電源を使用してください。RCDを使用すると、感電の危険性が低くなります。

作業者の安全

- パワーツールで作業するときは、警戒を怠らず、どんな作業を行っているかを確認し、常識を働かせてください。疲れているときや、薬物、アルコール、またはその他の薬剤の影響下にあるとき

は、パワーツールを使用しないでください。パワーツールの操作中に注意を怠ると、重大な人身事故につながる可能性があります。

- 作業用保護装備を使用してください。必ず眼の保護装備を着用してください。防塵マスク、滑り止め加工された安全靴、ヘルメット、防音用耳栓などの保護装備を適切な条件下で使用することで、作業者のケガの危険性を低下させることができます。
- 予期しない始動が起こらないようにしてください。電源やバッテリーパックを接続する前、またはツールを持ち上げたり、運搬したりする前に、スイッチがオフの位置にあることを確認してください。指をスイッチの上に置いた状態でパワーツールを運搬したり、スイッチがオンになっているパワーツールに電圧を印加したりすると、事故を引き起こすことがあります。
- パワーツールの電源を入れる前に、調整キーやレンチを外してください。パワーツールの回転部にレンチやキーを付けたままにしておくと、ケガの原因になることがあります。
- 前のめりになり過ぎないようにしてください。常に適切な足場とバランスを維持してください。これにより、予期しない状況下でのパワーツールの制御が容易になります。
- 適切な服装をしてください。ゆったりした服を着たり、装飾品を身に付けたりしないでください。髪の毛、および衣服が可動部に近づかないようにしてください。ゆったりした衣服、装飾品、長い髪は、可動部に絡まる可能性があります。
- 集塵機等に接続する装置が提供されている場合、これらが接続され、適切に使用されていることを確認してください。集塵機を使用することで、粉塵に関連する危険性を低下させることができません。
- ツールを頻繁に使用することで得られる慣れによって、自己満足に陥り、ツールの安全性の原則を無視することがないようにしてください。不注意な行動により、数分の一秒で重傷を引き起こす可能性があります。
- 隠れている配線にファスナが接触するおそれのある場所でパワーツールを使用する場合には、ツールの絶縁グリップを握って保持してください。「電圧の掛かっている」電線を含むファスナは、パワーツールの露出金属部品に「電圧を掛け」、作業者を感電させるおそれがあります。

パワーツールの使用と注意

- パワーツールを無理に使用しないでください。用途に適したパワーツールを使用してください。適切なパワーツールを使用することで、設計されたおりに、より優れた性能で、より安全に作業できます。
- スイッチをオン/オフできない場合、パワーツールを使用しないでください。スイッチで制御できないパワーツールは危険であり、修理する必要があります。
- パワーツールに何らかの調整、付属品の変更を行う前、または保管する前に、取り外し可能な場合、電源からプラグを外すか、パワーツールから

バッテリーパックを外します。このような安全予防措置を講じることで、予期しないパワーツールの始動の危険性を低下させることができます。

- 使用されていないパワーツールは、子どもの手の届かない所に保管し、パワーツールやこれらの指示に精通していない人がパワーツールを使用することがないようにしてください。訓練を受けていない作業者がパワーツールを使用するのは危険です。
- パワーツールと付属品の保守。可動部がずれていたり、動かなくなったりしていないか、部品が損傷していないか、パワーツールの動作に影響する可能性があるその他の状態になっていないか確認してください。損傷している場合は、使用前にパワーツールを修理してください。事故の多くは、パワーツールの保守が十分でないことで引き起こされています。
- カuttingツールは目立てした状態で、清潔にしておいてください。刃先が目立てされた、適切に保守されたCuttingツールを使用すると、引っかかる可能性が低くなり、制御が容易になります。
- パワーツール、付属品、工具ビットなどは、作業条件と実行する作業内容を考慮して、これらの指示に従って使用してください。これらの意図と異なる方法でパワーツールを動作させて使用すると、危険な状況を招く可能性があります。
- ハンドルと保持面を、乾燥して清潔でオイルやグリースのない状態に保ちます。ハンドルや保持面が滑りやすくなっていると、予期しない状況でツールの安全な取り扱いや管理ができません。

バッテリーツールの使用と注意

- 充電には、製造会社が指定する充電器のみを使用してください。あるタイプのバッテリーパックには適切な充電器であっても、他のバッテリーパックに使用すると火事発生の危険が生じることがあります。
- パワーツールは、専用に設計されたバッテリーパックと共に使用してください。他のバッテリーパックを使用すると、ケガおよび火災の危険が生じます。
- バッテリーパックを使用しない場合には、両端子を接続する可能性のある紙クリップ、貨幣、キー、釘、ネジ、およびその他の小さな金属物質を含む他の金属物質から離しておいてください。バッテリー端子をショートさせると、燃焼または火災が発生することがあります。
- 間違った使い方をすると、バッテリーから液体が吹き出す場合がありますが、この液体には触れないでください。誤って触れた場合は、水ですすいでください。液体が目に入った場合には、さらに医師の診察を受けてください。バッテリーから吹き出した液体で炎症や火傷を生じることがあります。
- 破損または改造されたバッテリーパックやツールは使用しないでください。破損または改造されたバッテリーは、火災、爆発やけがのリスクをもたらす予期しない動作をすることがあります。

- 火災や高温に電池パックやツールをさらさないでください。火災や130°C以上の温度にさらされると爆発の恐れがあります。
- すべての充電に関する指示に従い、指示で指定された温度範囲外でバッテリーパックやツールを充電しないでください。不適切な、または指定された範囲外の温度で充電すると、バッテリーが損傷し、火災のリスクが高まる可能性があります。

サービス

- パワーツールは、有資格の修理担当者にサービスを依頼し、同一の交換部品のみを使用して下さい。これにより、電動工具の安全性が維持されます。
- 損傷したバッテリーパックは決して整備しないでください。バッテリーパックの整備は、メーカーまたは認定サービスプロバイダが必ず行うようにしてください。

製品の詳細説明書

警告！

火災、人身事故、短絡による製品損傷の危険性を低下するため、ツール、バッテリーパック、チャージャを液体に浸したり、液体が内部入らないようにしてください。海水、特定の工業用化学薬品、漂白剤や漂白剤を含む製品などの腐食性または導電性の液体は、短絡を引き起こす可能性があります。

特別な注意事項

- この機械は、ネジ接続アプリケーションに対応している付属のトルク反力バーとの組み合わせでのみ使用することができます。
- デュアルトリガを使用して、反力バーとワークピースの間で指や手がはさまれるリスクを最小限に抑えて下さい。

設置全般における安全上の注意

設置は、資格のあるスタッフにのみ依頼してください。

例えばバランスなどを使用してツールを安全に吊ります。吊り下げ金具を使用するときには、良好な状態で正しく固定されていることを確認してください。

必ず接地付きコンセントにシステムを接続してください。ツールケーブルを接続、切断する前に、主プラグが未接続状態でコントローラの電源が切れていることを必ず確認してください。

特別な注意事項

⚠ 警告 圧挫の危険

デュアルトリガは、ツールの操作を行う際にユーザーが必ず両手を使うようにします。本装置を使用しない場合、リアクションバーを調節する際にオペレーターが不慮にツールを始動させてしまい、手に深刻なケガを負う可能性が生じます。

- ▶ デュアルトリガを放した後にツールが始動しないことを確実にします。
- ▶ 最初にデュアルトリガのトリガを放し、続いてツールのトリガを押し込むテストを常に行ってください。ツールが始動した場合、作業を停止してください。

操作一般に関する安全上の注意

- 巻き込みの危険性が有るため、手袋をはめないでください。
- ツール使用の際は反力に備えてください。最後の締め付け、または初期緩めの時期に起こる突然のトルク反動を軽減するために、ツールのハンドルを常に軸の回転と反対方向にしっかりと固定してください。
- 駆動部、ソケット、駆動延長部を決してつかまないでください。
- 作業者と保守要員には、このツールの大きさ、重量および動力の取り扱いが可能な身体能力が必要です。
- 可能であれば、反動トルクを吸収するサスペンションアームを使用してください。これが可能でなければ、まっすぐなケースのツールやピストルグリップツールの場合、サイドハンドルを推奨します。角度ナットランナの場合、反力バーを推奨します。まっすぐなケースのツールでは 4 Nm (3 lbf.ft) より大きなりアクショントルク、ピストルグリップツールでは 10 Nm (7.5 lbf.ft) より大きなりアクショントルク、角度ナットランナでは 60 Nm (44 lbf.ft) より大きなりアクショントルクを吸収する手段を使用することを推奨します。
- 締め具のトルクが大きすぎる場合や小さすぎる場合、重傷を負う可能性があります。特定のトルクを必要とする組み立てでは、トルクメーターで必ずトルクを確認してください。いわゆる「クリック」トルクレンチでは、潜在的に危険なトルク超過状態を確認することができません。トルクが大きすぎたり小さすぎる場合、締め具が破損したり、緩んだり、分離したりする可能性があります。アセンブリが外れると、飛散物になることがあります。
- 良好な状態の電源ソケットがインパクトソケットのみ使用してください。ハンドソケットを使わないでください。
- 電動工具を使用する際、作業員は手や腕、肩、首、その他の身体の部位に不快感を感じる場合があります。作業の日中を通して適切な姿勢で姿勢を変え、安定した足場を維持し、不自然な姿勢や不安定な姿勢を避けます。

- 繰り返し作業、無理な姿勢、および振動にさらされると、手や腕に害となることがあります。麻痺やチクチクした痒みがある場合、または肌が蒼白化した場合、ツールの使用を止めて医師の診察を受けてください。
- 狭い場所で作業する場合は注意してください。ツールとワークピースの間に手が挟まれないようご注意ください。
- 高レベルの騒音により、永久に聴力が失われることがあります。ご自身の雇用者、または職業上の健康と安全のための規定で推奨される防音用耳栓を使用してください。
- ワークピースがしっかりと固定されているか確認してください。
- 慣れない環境で作業する場合は、細心の注意を払ってください。作業によって生じる可能性のある危険に注意を払ってください。このツールは、電源と接触する場合に対して絶縁されていません。

反力バーと併用するツール：ツール使用中には決して手を反力バーに近づけないでください。ツールを作動させる前に、スピンドルの回転方向を確認してください。反力が予期しない方向に作用し、圧挫傷の原因になることがあります。

クラッチのあるツール：クラッチの解放を確認せずに、決して製品を使用しないでください。クラッチの調整後、直ちに正確に作動するか確認してください。

⚠ 警告 傷害のリスク

パラメータファイルが正しいことを確認してください。間違ったパラメータファイルを使用すると、トルクが高くなりすぎることにより、結果として人体に傷害を引き起こす可能性があります。

- ▶ コントローラーに表示されている最大トルクと、ツールの技術データに記載されている最大トルクを照らし合わせます。互いに必ず一致する必要があります。

一般的な注意事項

ツールは付随するトルク反作用バーとだけ併用することができます。この反作用バーは関連するネジジョイント用途に適合しています。

⚠ 警告 圧挫の危険



6158716540 6158716530

始動前に回転方向を確認してください！予期しない回転方向に動き出すと、負傷や物的損害が発生するおそれがあります。可動部品は押しつぶされて切断される可能性があります。

- ▶ ツールを始動する前に、ツールの回転方向が正しいことを確認してください。
- ▶ 手や指が可動部品に近づけないようにしてください。

ツールの操作

1. このドキュメントに記載されている安全に関する注意事項に従って、反力バーを組み立てます。
2. このドキュメントに記載されている安全に関する注意事項に従って、ツールを適切なソケットに取り付けます。
3. 設定ボタン (4) と表示画面 (3) を使用して、正しいモードを設定します。
4. リバースボタン (6) を使用して正しい方向を選択します。
5. このドキュメントに記載されている安全に関する注意事項に従って、ツールと反力アーム (7) を配置します。
6. 2番目のトリガー (1) を押して圧力をかけ続けます。
7. 1番目のトリガー (2) を押して圧力をかけ続けます。
8. 操作が終了するまで、トリガーにかけている圧力 (1および2) を維持します。
9. レポートLED (5) の動作状態を確認します。緑 (OK)、赤 (NG)。

バッテリー

長時間使用されていなかったバッテリーパックは、使用前に再充電する必要があります。

温度が50°C (122°F) を超えると、バッテリーパックの性能が低下します。熱や日光に長時間さらさないでください (過熱のリスクがあるため)。

充電器とバッテリーパックの接触部は清潔にしてください。

最適な寿命のため、使用後はバッテリーパックを完全に充電してください。バッテリー寿命をできるだけ長くするため、完全に充電した後、バッテリーパックを充電器から取り外してください。

バッテリーパックには、過負荷から保護し、バッテリーの長寿命を確保する過負荷保護が装備されています。極端な負荷がかかると、バッテリーの電子部品によって製品が自動的にオフになります。再度始動するには、製品の電源を一旦オフにして、再度オンにします。製品が再度始動しない場合は、バッテリーパックが完全に放電している可能性があります。この場合は、バッテリーチャージャーで充電する必要があります。

メンテナンスに関する注意事項

- すべてのコンポーネントの安全な取り扱いおよび廃棄については、現地国の環境規制に従ってください。
- メンテナンスおよび修理作業は、必ず元のスペアパーツを使用して、資格を持った担当者が行う必要があります。技術的サービスに関するアドバイスが必要な場合やスペアパーツが必要な場合は、メーカーまたはお近くの販売店までお問い合わせください。
- 偶発的な作動を回避するために、マシンが電源から切断されていることを必ず確認してください。
- ツールを毎日使用している場合は、3カ月毎にツールを分解して点検してください。破損または磨耗した部品は交換してください。

- ブレーキ液、ガソリン、石油ベース製品、浸透油などが、常にプラスチック部品に付着しないようにしてください。化学物質はプラスチックを破損、磨耗、損傷することがあり、重大な人身事故につながる可能性があります。
- プラスチック部品の清掃には溶剤を使用しないでください。ほとんどのプラスチックは、多様な種類の化学溶剤によって損傷する可能性が高く、溶剤を使用することで損傷する可能性があります。きれいな布で汚れ、埃、油、グリース等を除去してください。

廃棄

- この機器の廃棄は各国の法律に従ってください。
- 損傷した装置、ひどく磨耗した装置、適切に機能していない装置はいずれも**使用を中止する必要があります**。

サインとステッカー

本製品には、個人の安全および製品のメンテナンスに関する重要な情報を記載した表示とステッカーがあります。表示とステッカーは、常に読みやすいものでなければなりません。スペアパーツリストで、新しい表示とステッカーをご注文いただけます。



S011050

記号



機械での作業を始める前にバッテリーパックを取り外してください。



機械の使用を開始する前に指示をよく読んでください。



電動ツールは生活廃棄物として処分しないでください。寿命に達した電動ツールと電子装置は個別に収集し、環境に適したリサイクル施設に廃棄してください。リサイクル方法や収集場所については、最寄の地方自治体または小売店にお問い合わせください。



機械の使用時には必ず安全めがねを装着してください。

n₀

無負荷速度。

V

ボルト

min⁻¹

毎分



直流



注意！警告！危険！

有用な情報

ウェブサイト

当社の製品、付属品、スペアパーツおよび公表事項に関する情報は、Chicago PneumaticのWebサイトにてご覧いただけます。

次をご覧ください : www.cp.com.

生産国

HUNGARY

安全データシート

安全データシートには、Chicago Pneumaticが販売する化学製品が記載されています。

詳細情報については、Chicago Pneumaticウェブサイト (qr.cp.com/sds) を参照してください。

著作権

© 著作権 2022, CHICAGO PNEUMATIC Tool Co.LLC, 1815 Clubhouse Road, Rock Hill, SC 29730 - USA

無断複写・複製・転載を禁ず。本書の内容の一部または全部を無断転載あるいは不正使用することは禁止されています。上記禁止行為は、特に商標、モデルの文書化、部品番号および図面に適用されます。認可済みの部品のみ使用してください。未認可の部品の使用によって引き起こされる一切の損傷または誤動作は、保証責任または製造物責任の対象とはなりません。

기술 자료

제품 설명

삽화를 참조하십시오 2: 제품 설명

- 1 보조 트리거
- 2 주 트리거
- 3 디스플레이 화면
- 4 설정 버튼
- 5 보고 LED
- 6 역방향 버튼
- 7 리액션 바 S-유형 (공구와 함께 제공)

선언

EU 적합성 선언

CHICAGO PNEUMATIC Tool Co.LLC, 1815 Clubhouse Road, Rock Hill, SC 29730 - USA은(는) 제품(이름, 종류 및 일련번호 포함, 일면 참조)이 다음 지침을 준수하고 있음을 당사의 전적인 책임 하에 선언합니다.

2006/42/EC; 2011/65/UE; 2014/53/UE

합의 표준 적용: EN 62841-2-2:2014 + AC1:2015; EN 55014-1:2017+11:2020; EN 55014-2:2015; EN 61000-6-2:2019; EN 61000-6-3:2007 + A1:2011; EN 300328V222; EN 301489-17V324; EN 301489-1V223; EN 62311:2008; EN 62479:2010

관련 기술 정보는 관계 당국에서만 요청할 수 있음:
Pascal Roussy, R&D Manager, Ets Georges Renault, 38 rue Bobby Sands, BP10273 44818 Saint Herblain, France

Saint-Herblain, 2022/01/26

Pascal ROUSSY

발급자 서명



소음 및 진동 표시 선언

- 음압 레벨 < 72 dB(A), 불확실성 3 dB(A), EN 62841-2-2:2015.에 부합.
- 음압 레벨 < 83 dB(A), 불확실성 3 dB(A), EN 62841-2-2:2015.에 부합.
- 진동 총 값 < 2.5 m/s², 불확실성 3 m/s², EN 62841-2-2:2015.에 부합

이러한 표시 값은 언급된 표준에 따라 실험실 유형 테스트에 의해 획득되었으며 동일한 표준에 따라 테스트한 다른 공구의 표시 값과 비교하기에 적합합니다. 이러한 표시 값은 위험 평가에 사용하기에 적합하지 않으며 개별 작업장에서 측정된 값이 더 높을 수 있습니다. 실제 노출 값과 개별 사용자가 경험한 유해 위험 수준은 고유하며 사용자의 작업 방식, 작업 대상물, 작업대 설계 뿐만 아니라 노출 시간 및 사용자의 신체적 조건에 따라 다릅니다.

CHICAGO PNEUMATIC Tool Co.LLC는 당사가 통제할 권한이 없는 작업장 상황에서 개별적인 위험 평가로 실제 노출을 반영하는 값 대신 표시 값의 사용에 따른 결과에 대해 책임을 지지 않습니다.

본 공구를 적절히 관리하면서 사용하지 않으면 손-팔 진동 증후군이 유발될 수 있습니다. 손-팔 진동 증후군 관리에 대한 EU 참고 자료는 <http://www.pneurop.eu/index.php>에 접속한 다음 '공구', '법규' 순으로 선택하면 확인할 수 있습니다.

당사는 소음 또는 진동 노출과의 관련 가능성이 있는 증상을 조기에 감지하는 건강 감시 프로그램을 권장하며, 이를 통해 관리 절차를 수정하여 향후 발생할 수 있는 장애를 사전에 차단할 수 있습니다.

- ⓘ 이 장비는 고정 설비에 사용하도록 되어 있습니다. 소음 방출은 기계 설치업자의 참고 자료로 활용됩니다. 완성된 기계의 소음 및 진동 방출 데이터는 기계의 사용 설명서에 수록되어 있습니다.

무선 통신 사양

BLUETOOTH LOW ENERGY 4.2®

주파수: 2400 MHz - 2483.5MHz

EIRP: <10 dBm

Bluetooth® 워드 마크 및 로고는 Bluetooth SIG, Inc 소유의 등록 상표입니다.

지역 요구 사항

⚠ 경고

이 제품을 사용하면 캘리포니아 주에서 보고된 암 및 선천적 장애 또는 기타 출산 장애를 유발하는 납을 포함한 화학 물질에 노출될 수 있습니다. 자세한 정보는 <https://www.p65warnings.ca.gov/> 웹 사이트를 참조하십시오.

<https://www.p65warnings.ca.gov/>

안전

버리지 마십시오 - 사용자에게 주십시오

⚠ 경고 이 제품과 함께 제공되는 모든 안전 경고, 지침, 그림 및 사양을 읽으십시오.

아래 나열된 지침을 모두 따르지 않으면 감전, 화재, 재산의 손해 및/또는 심각한 부상이 발생할 수 있습니다.

나중에 참조할 수 있도록 모든 경고와 지침을 보관하십시오.

⚠ 경고 설치, 운영 및 유지보수에 대해 지역별로 지정된 안전 규칙은 언제나 지켜야 합니다.

용도 선언

- 전문 용도로만 사용하십시오.
- 이 제품과 그 부속품을 변형시켜서는 안 됩니다.
- 이 제품이 손상된 경우 사용하지 마십시오.
- 제품 데이터 또는 위험 경고 징후가 보이거나 확실한 경우, 기다리지 말고 즉시 교체하십시오.
- 이 제품은 산업용 조립 환경에서 자격을 갖춘 담당자만 설치, 작동 및 수리할 수 있습니다.

용도

이 제품은 이 설명서의 지침과 경고를 읽고 이해하고 자신의 행동에 대하여 책임을 질 수 있는 성인만 사용하도록 설계되었습니다.

- 이 제품은 목재, 금속 또는 플라스틱에서 나사산이 있는 패스너의 설치 및 제거 용도로 제작되었습니다.
- 실내에서만 사용하십시오.
- 위에 언급되지 않은 다른 목적으로 본 제품을 사용하지 마십시오.
- 다른 용도는 허용되지 않습니다.

권장 배터리

8940176068: CP36XP25

권장 충전기

8940176069: CP18-36CH

리액션 바

공구와 함께 제공된 리액션 바(7)를 사용해 주세요. 다른 모델에 대한 자세한 내용은 리액션 바 문서(문서 번호 6159923710)를 참조해 주세요.

일반 전동 공구 안전 경고

⚠ 경고 이 제품과 함께 제공되는 모든 안전 경고, 지침, 그림 및 사양을 읽으십시오.

아래 나열된 지침을 모두 따르지 않으면 감전, 화재, 재산의 손해 및/또는 심각한 부상이 발생할 수 있습니다.

나중에 참조할 수 있도록 모든 경고와 지침을 보관하십시오.

경고에 있는 용어 "전동 공구"는 주전원으로 작동하는(유선) 전동 공구 또는 배터리로 작동하는(무선) 전동 공구를 의미합니다.

작업장 안전

- 작업장을 깨끗하고 밝게 유지하십시오. 어수선하거나 어두운 작업장은 사고가 발생할 위험이 있습니다.
- 가연성 액체, 기체 또는 분진이 있는 장소와 같은 폭발 위험 구역에서 전동 공구를 작동하지 마십시오. 전동 공구가 스파크를 일으켜 분진 또는 연무에 불이 붙을 수 있습니다.
- 전동 공구를 작동할 때는 어린이와 외부인이 가까이 오지 못하도록 하십시오. 주의력이 분산되어 공구를 제어하지 못하게 될 수 있습니다.

전기 안전

- 전동 공구 플러그가 콘센트에 맞아야 합니다. 어떤 식으로든 플러그를 변형하지 마십시오. 접지된 전동 공구에 어댑터 플러그를 사용하지 마십시오. 플러그를 변형하지 않고 일치하는 콘센트를 사용하면 감전의 위험을 줄일 수 있습니다.
- 파이프, 라디에이터, 레인지 및 냉각 장치와 같은 접지면에 신체가 닿지 않도록 주의하십시오. 신체가 접지될 경우 감전 위험이 증가합니다.
- 전동 공구가 빗물 또는 습한 환경에 노출되지 않도록 하십시오. 전동 공구가 젖을 경우 감전 위험이 증가합니다.
- 코드를 함부로 다루지 마십시오. 전동 공구를 운반하거나 끌어 당기거나 플러그를 빼기 위한 용도로 전선을 사용하지 마십시오. 열, 오일, 날카로운 모서리 또는 가동 부품 근처에 전선을 두지 마십시오. 전선이 손상되거나 튀어올라 감전 위험이 증가합니다.
- 실외에서 전동 공구를 작동할 때는 실외용 연장 전선을 사용하십시오. 실외용 전선을 사용하면 감전 위험이 줄어듭니다.
- 불가피하게 습한 장소에서 전동 공구를 작동해야 할 경우 누전 차단기(RCD)로 보호되는 전원 공급기를 사용하십시오. RCD를 사용하면 감전 위험이 줄어듭니다.

개인 안전

- 전동 공구를 작동할 때는 경계를 늦추지 말고 진행 중인 작업에 집중하며 상식을 따르십시오. 피곤하거나 약물, 알코올 또는 의약품을 섭취한 상태에서 전동 공구를 사용하지 마십시오. 전동 공구를 작동하는 동안 순간적으로 방심할 경우 심각한 증상을 입을 수 있습니다.
- 개인 보호 장비를 사용하십시오. 항상 보호 안경을 착용하십시오. 방진 마스크, 미끄럼 방지 안전화, 안전모 또는 청력 보호 도구와 같은 보호 장비를 여건에 맞게 사용할 경우 부상 위험을 줄일 수 있습니다.

- 실수로 공구를 가동하지 않도록 주의하십시오. 공구를 전원 및/또는 배터리 팩에 연결하거나 들어올리거나 운반하기 전에 스위치가 꺼짐 위치에 있는지 확인하십시오. 스위치에 손가락을 얹은 채로 전동 공구를 운반하거나 스위치가 켜져 있는 상태에서 동력을 공급하면 사고가 발생할 수 있습니다.
- 파워 공구를 켜기 전에 조정용 키 또는 렌치를 제거하십시오. 파워 공구의 회전 부품에 렌치나 키가 부착되어 있으면 부상을 입을 수 있습니다.
- 몸을 너무 뻗지 마십시오. 항상 양발을 단단히 디디고 몸의 균형을 유지하십시오. 그러면 예기치 않은 상황에서 전동 공구를 더 잘 제어할 수 있습니다.
- 적절한 복장을 착용하십시오. 느슨한 의복이나 보석류는 착용하지 마십시오. 머리카락, 의복이 가동 부품에 가까이 닿지 않도록 하십시오. 느슨한 의복, 보석류 또는 긴 머리카락이 가동 부품에 걸릴 수 있습니다.
- 분진 추출 및 집진 설비 연결용 장치가 제공될 경우 올바르게 연결되고 사용되는지 확인하십시오. 집진 장치를 사용하면 분진 관련 위험을 줄일 수 있습니다.
- 공구를 자주 사용함으로써 생긴 익숙함으로 인해 무사안일주의에 빠지고 공구 안전 수칙을 무시하지 않도록 하십시오. 부주의한 조치는 순식간에 심각한 부상을 야기할 수 있습니다.
- 패스너가 숨겨진 배선에 닿을 수 있는 곳에서 작업을 수행할 때에는 파워 공구의 절연된 손잡이 표면을 잡아야 합니다. 전기가 흐르는 전선에 패스너가 닿을 경우 전동 공구의 금속 부분이 전기에 노출될 수 있으며 작업자가 감전될 수 있습니다.

파워 공구 사용 및 관리

- 파워 공구를 무리하게 사용하지 마십시오. 전동 공구를 용도에 맞게 사용하십시오. 전동 공구를 올바르게 사용하면 작업 효율이 높아지고 설계상의 이점을 살려 더 안전하게 작업할 수 있습니다.
- 스위치가 켜지거나 꺼지지 않을 경우에는 전동 공구를 사용하지 마십시오. 스위치를 제어할 수 없는 전동 공구는 위험하며 반드시 수리를 해야 합니다.
- 전동 공구를 조정하거나 부속품을 교체하거나 보관하기 전에, 분리가 가능한 경우, 전원 및/또는 배터리 팩에서 플러그를 분리하십시오. 이러한 예방 안전 조치를 취할 경우 전동 공구를 실수로 가동할 위험이 줄어듭니다.
- 사용하지 않는 전동 공구는 어린이의 손이 닿지 않는 곳에 보관하고 전동 공구나 이러한 지침에 익숙하지 않는 사람이 전동 공구를 작동하지 않도록 하십시오. 숙련되지 않는 사용자가 전동 공구를 사용할 경우 위험할 수 있습니다.
- 전동 공구와 액세서리를 유지보수하십시오. 오차가 있거나 가동 부품이 움직이지 않거나 부품이 파손되었거나 전동 공구의 작동에 영향을 미칠 수 있는 조건이 있는지 확인하십시오. 손상된 경우 사용하기 전에 전동 공구를 수리하십시오. 전동 공구를 제대로 유지보수하지 않을 경우 여러 가지 사고가 발생합니다.
- 절단 공구를 날카롭고 깨끗하게 유지하십시오. 올바른 유지보수 절차를 통해 절단 공구의 칼날을 날카롭게 유지관리하면 고장날 가능성이 줄어들고 손쉽게 제어할 수 있습니다.

- 파워 공구, 부수장치 및 공구 비트는 이러한 지침에 따라, 작업 조건과 수행할 작업을 고려하여 사용하십시오. 전동 공구를 원래 용도와 다른 작업에 사용할 경우 위험한 상황이 발생할 수 있습니다.
- 핸들과 잡는 부분은 건조하고, 깨끗하며 오일과 기름이 묻지 않도록 유지하십시오. 핸들과 잡는 면이 미끄러우면 예기치 않은 상황에서 공구를 안전하게 조작하거나 제어할 수 없습니다.

배터리 공구 사용 및 관리

- 배터리를 충전할 때는 제조업체에서 지정한 충전기만을 사용하십시오. 특정 배터리 팩 유형에 적합한 충전기를 다른 배터리 팩에 사용할 경우 화재가 발생할 위험이 있습니다.
- 전동 공구에는 전동 공구 전용으로 설계된 배터리 팩만 사용하십시오. 다른 배터리 팩을 사용할 경우 부상을 입거나 화재가 발생할 위험이 있습니다.
- 배터리 팩을 사용하지 않을 때는 단자끼리 접촉할 수 있으므로 웅지 클립, 동전, 열쇠, 못, 나사 또는 기타 작은 금속과 같은 금속성 물체와 가까이 두지 마십시오. 배터리 단자가 서로 단락될 경우 화상을 입거나 화재가 발생할 수 있습니다.
- 비정상적인 환경에서 사용할 경우 배터리액이 누출될 수 있습니다. 배터리액이 몸에 닿지 않도록 주의하십시오. 실수로 몸에 닿은 경우 물로 씻어내십시오. 눈에 들어간 경우 물로 씻은 후 의사와 상담하십시오. 배터리에서 누출된 액체는 염증 또는 화상을 유발할 수 있습니다.
- 손상되거나 개조된 배터리 팩 또는 공구를 사용하지 마십시오. 손상되거나 변경된 배터리는 예측할 수 없는 동작을 드러내 화재, 폭발 또는 부상의 위험을 초래할 수 있습니다.

- 배터리 팩이나 공구를 화재 또는 고온에 노출하지 마십시오. 화재 또는 130 °C 이상의 온도에 노출되면 폭발할 수 있습니다.
- 모든 충전 지침을 따르고 설명서에 명시된 온도 범위를 벗어나 배터리 팩이나 공구를 충전하지 마십시오. 지정된 범위를 벗어난 온도 또는 부적절하게 충전하면 배터리를 손상시키거나 화재 위험을 높일 수 있습니다.

서비스

- 자격을 갖춘 수리 담당자가 공구를 수리하고 동일한 교체 부품만을 사용해야 합니다. 이 지침을 지킬 경우 전동 공구의 안전을 유지할 수 있습니다.
- 손상된 배터리 팩을 절대 정비하지 마십시오. 배터리 팩의 점검은 제조업체 또는 공인 서비스 제공업체에서만 수행해야 합니다.

제품별 설명

경고!

누전으로 인한 화재, 상해 및 제품 손상의 위험을 줄이려면 공구, 배터리 팩 또는 충전기를 액체에 담그지 않고 액체가 흐르지 않도록 하십시오. 바닷물, 특정 산업 화학 물질 및 표백제나 표백제 포함 제품과 같은 부식성 또는 전도성 유체는 단락을 일으킬 수 있습니다.

의 특별 주의 사항

- 장비는 해당 나사 조인트 어플리케이션에 사용하는 관련 토크 반응 바와 함께 사용해야 합니다.
- 이중 트리거를 사용하여 손가락이나 손이 반작용 막대와 작업물 사이에 끼는 위험을 최소화해야 합니다.

일반 설치 안전

설치는 자격있는 인원에게만 의뢰하십시오.

예를 들어 밸런서를 사용해서 공구를 안전하게 매달아 놓아야 합니다. 서스펜션 요크를 사용할 때, 양호한 상태에 있고 제대로 조여졌는지 확인하십시오.

항상 시스템을 접지된 콘센트에 연결하십시오. 공구 케이블을 연결 또는 분리하기 전에는 항상 주전원 플러그를 분리하고 컨트롤러를 꺼야합니다.

의 특별 주의 사항

⚠ 경고 압착 위험

듀얼 트리거는 사용자가 두 손으로 공구를 작동하도록 유도하기 위한 장치입니다. 사용하지 않을 경우, 작업자가 반응 막대를 조정하는 동안 실수로 공구를 시동할 수 있으므로 손에 심각한 부상을 입을 수 있습니다.

- ▶ 듀얼 트리거를 손에서 놓으면 공구를 시동할 수 없도록 조치를 취하십시오.
- ▶ 먼저 듀얼 트리거의 트리거를 놓은 다음, 공구의 트리거를 당겨 항상 해당 공구를 테스트 하십시오. 만약 공구가 시동되면, 작업을 멈추십시오.

일반 작동 안전

- **엮혀들어갈 위험이 있으므로 장갑을 착용하지 마세요.**
- **공구를 사용할 때 반발력에 대비해 주세요.** 마지막 조임과 처음 풀기 과정에서 갑작스런 토크의 반작용 영향을 줄이기 위해 항상 스피들 회전과 반대 방향으로 공구의 핸들을 견고하게 지지해 주세요.
- **드라이브, 소켓 또는 드라이브 연장부를 절대 손으로 잡지 마세요.**
- **작업자와 유지보수 인원은 이 공구의 부피와 중량 및 힘을 육체적으로 취급할 수 있어야 합니다.**
- **가능하면 서스펜션 암을 사용하여 반응 토크를 흡수해 주세요.** 서스펜션 암을 사용할 수 없는 경우, 스트레이트 케이스 및 피스톨 그립 공구에는 **사이드 핸들**, 앵글 너트러너에는 **반응 바** 각각 권장됩니다. 스트레이트 케이스 공구의 경우에는 4 Nm (3 lbf.ft) 이상의 반응 토크, 피스톨 그립 공구의 경우에는 10 Nm (7.5 lbf.ft) 이상의 반응 토크, 앵글 너트러너의 경우에는 60 Nm (44 lbf.ft) 이상의 반응 토크를 각각 흡수할 수 있는 수단의 사용이 권장됩니다.
- **오버-토크 또는 언더-토크가 가해진 패스너는 심각한 부상을 초래할 수 있습니다.** 특정한 토크를 필요로 하는 조립은 토크 미터를 사용하여 점검해 주셔야 합니다. 소위 “클릭” 토크 렌치는 위험할 수 있는 과다 토크 상태를 점검하지 못합니다. 오버-토크 또는 언더-토크가 가해진 패스너는 부러지거나, 느슨해지거나 분리될 수 있습니다. 빠진 조립물이 튕겨져 나올 수 있습니다.

- **상태가 양호한 파워 또는 임팩트 소켓만 사용해 주세요.** 핸드 소켓을 사용하지 마세요.
- **파워 공구를 사용하여 작업자가 손, 팔, 어깨, 목 또는 기타 신체 부위의 불편감을 느낄 수 있습니다.** 작업 일 동안 지속적으로 적절한 자세를 취하고, 안전한 자세를 유지하고, 어색하거나 균형이 맞지 않는 자세를 피해야 합니다.
- **반복적인 작업 활동, 부적절한 자세 및 진동에 대한 노출은 손과 팔에 해로울 수 있습니다.** 무감각이나 저림, 통증 혹은 피부가 하얗게 되는 일이 발생하면, 공구 사용을 중단하고 의사와 상담하세요.
- **밀폐된 공간에서 작업할 때는 특별한 주의가 필요합니다.** 공구와 작업 대상 사이에 손이 끼지 않도록 주의하세요.
- **소음 수준이 높으면 청각이 영구적으로 손상될 수 있습니다.** 귀하의 고용주나 직업 건강 및 안전 법규가 권장하는 청력 보호 도구를 사용해 주세요.
- **작업물이 확실히 고정되어 있는지 확인하세요.**
- **익숙하지 않은 환경에서는 주의해서 진행해 주세요.** 작업 도중 숨겨진 위험이 존재할 수 있습니다. 이 공구는 전원과 접촉 시 절연되지 않습니다.

반응 바와 함께 사용되는 공구: 공구를 사용하는 동안, 반응 바 근처에 손을 두지 마세요. 공구를 시동하기 전에 스피들의 회전 방향과 예상하지 못한 방향으로 충돌 부상을 일으킬 수 있는 반발력을 확인해 주세요.

클러치가 장착된 공구: 클러치가 풀리는지 확인하지 않은 상태로 제품을 절대 사용하세요. 클러치를 조절 한 직후, 올바르게 작동하는지 점검해 주세요.

⚠ 경고 부상 위험

올바른 매개변수 파일이 사용 중인지 확인해 주세요. 잘못된 매개변수 파일은 결과적으로 신체 부상과 함께 너무 높은 토크를 유발할 수 있습니다.

- ▶ 컨트롤러에 표시된 최대 토크를 공구의 데이터에 명시된 최대 토크와 비교해 주세요. 이 두 가지 토크는 동일해야 합니다.

일반 지침

공구는 해당 나사 조인트 어플리케이션에 사용하는 관련 토크 반응 바와 함께 사용해야 합니다.

⚠ 경고 압착 위험



시작하기 전에 공구의 회전 방향을 확인해 주세요. 예기치 않은 회전 방향에서 시작하면 신체 부상 또는 재산 피해가 발생할 수 있습니다. 움직이는 부품은 부서지거나 잘릴 수 있습니다.

- ▶ 공구를 시작하기 전에 공구의 회전 방향이 정확하지 확인해 주세요.
- ▶ 손과 손가락을 가동 부품에 닿지 않도록 특별히 주의하십시오.

공구 사용

- 이 문서에 설명된 안전 지침에 따라 리액션 바를 조립해 주세요.
- 이 문서에 설명된 안전 지침에 따라 공구를 적합한 소켓에 장착해 주세요.
- 설정 버튼(4)과 디스플레이 화면(3)을 사용하여 올바른 모드를 설정해 주세요.
- 역방향 버튼(6)을 사용하여 올바른 방향을 선택해 주세요.
- 이 문서에 설명된 안전 지침에 따라 공구 및 리액션 암(7)을 배치해 주세요.
- 주 트리거(1)를 누르고 누른 상태를 유지해 주세요.
- 보조 트리거(2)를 누르고 누른 상태를 유지해 주세요.
- 작동이 끝날 때까지 두 개의 트리거(1과 2)를 누른 상태를 유지해 주세요.
- 보고 LED(5)의 작동 상태를 유지해 주세요. 녹색 (OK) 및 적색 (NOK)

배터리

얼마 간 사용하지 않은 배터리 팩은 사용하기 전에 다시 충전해야 합니다. 50°C(122°F)를 초과하는 온도는 배터리 팩의 성능을 줄입니다. 열 또는 일광에 대한 긴 노출을 피합니다(과열 위험). 충전기와 배터리 팩의 접촉부는 깨끗하게 유지해야 합니다. 최적의 수명을 유지하려면 사용 후에 배터리 팩을 완충해야 합니다. 가장 긴 배터리 수명을 위해서는 완충 후에 배터리 팩을 충전기에서 분리해야 합니다. 배터리 팩에는 과부하를 방지하는 과부하 보호 장치가 있어 수명을 연장시킵니다. 극도의 스트레스 하에서 배터리 전자 장치가 제품을 자동으로 끕니다. 다시 시작하려면 제품을 껐다가 다시 켜십시오. 제품이 다시 시동되지 않으면 배터리 팩이 완전히 방전되었을 수 있습니다. 이 경우 충전기에서 충전해야 합니다.

유지보수 지침

- 모든 구성품의 안전한 취급 및 폐기를 위해 현지 국가 환경 규정을 준수해 주세요.
- 유지 관리 및 수리 작업은 정품 예비 부품을 사용하여 자격을 갖춘 기술자만 수행해야 합니다. 기술 서비스 또는 부품을 필요로 하면 제조사 또는 가까운 공인 대리점에 문의해 주세요.
- 실수로 작동되는 것을 방지하려면 항상 기계가 동력 원으로부터 분리되었는지 확인해 주세요.
- 공구를 매일 사용하는 경우 3개월마다 공구를 분해해서 검사해 주세요. 손상되거나 마모된 부품을 교체해 주세요.
- 항상 브레이크액, 가솔린, 석유 기반 제품, 침투유 등이 플라스틱 부품과 접촉하지 않게 해 주세요. 화학 물질은 플라스틱을 손상시키거나, 약화시키거나, 파괴할 수 있으며 이는 심각한 부상을 초래할 수 있습니다.

- 플라스틱 부품을 청소할 때 용제를 사용하지 마십시오. 대부분의 플라스틱은 여러 가지 상업 용제로 손상되기 쉬우며, 이를 사용하면 손상될 수 있습니다. 깨끗한 천을 사용하여 흙, 먼지, 기름, 그리스 등을 제거해 주세요.

폐기

- 이 장비의 폐기는 해당 국가의 법률을 준수해야 합니다.
- 손상되었거나, 심하게 마모되었거나 부적절하게 작동하는 장치는 **절대로 더 이상 사용하지 마십시오.**

표시 및 스티커

이 제품에는 개인 안전과 제품 유지보수에 관한 중요한 정보가 포함된 표지 및 스티커가 부착되어 있습니다. 표지 및 스티커는 언제나 읽기 쉬워야 합니다. 새로운 표지 및 스티커는 예비 부품 목록을 이용하여 주문할 수 있습니다.



s011050

기호



기계로 작업을 시작하기 전에 배터리 팩을 제거합니다.



기계를 시작하기 전에 지침을 주의하여 읽으시기 바랍니다.



가정용 폐기물과 함께 전동 공구 폐기하지 마십시오. 수명이 다한 전기 공구와 전자 장비는 별도로 수거하고 환경친화적인 재활용 시설에 반환해야 합니다. 재활용에 대한 조언과 수집 장소는 지방 자치 단체 또는 판매처에 문의해 주세요.



기계를 사용할 때 항상 고글을 착용해 주세요.

n₀

로드 속도 없음.

V

볼트 (Volt)

min⁻¹

분당



직류



주의! 경고! 위험!

유용한 정보

웹사이트

제품, 부속품, 예비 부품 및 게시된 사안에 관한 정보는 Chicago Pneumatic 웹 사이트에서 찾을 수 있습니다.

다음 자료 및 웹 사이트를 참조해 주세요. www.cp.com.

원산지 국가

HUNGARY

안전 데이터 시트

안전 데이터 시트는 Chicago Pneumatic가 판매하는 화학 제품을 설명합니다.

자세한 정보는 Chicago Pneumatic 웹사이트 qr.cp.com/sds 을 참조하십시오.

저작권

© Copyright 2022, CHICAGO PNEUMATIC Tool Co.LLC, 1815 Clubhouse Road, Rock Hill, SC 29730 - USA

모든 권리 보유. 본 문서의 내용 또는 내용의 일부에 대한 비 승인된 모든 사용 또는 복사 행위는 엄격히 금지됩니다. 이는 특히, 상표, 모델 명칭, 부품 번호 및 도면에 적용됩니다. 승인된 부품만 사용하십시오. 비 인가된 부품을 사용함으로써 인해 발생하는 모든 손상 또는 고장은 보증 또는 생산물 책임 범위에 포함되지 않습니다.

Original instructions
Traduction de la notice originale
Übersetzung der Originalbetriebsanleitung
Traducción de las instrucciones originales
Tradução das instruções originais
Traduzione delle istruzioni originali
Vertaling van oorspronkelijke instructies
Oversættelse af originalvejledning
Oversættelse av originalinstruksjoner.
Käännös alkuperäisistä ohjeista
Μετάφραση πρωτότυπων οδηγιών
Översättning av ursprungliga instruktioner
Перевод оригиналов инструкций
Tłumaczenie oryginalnej instrukcji

Preklad originálnych pokynov
Překlad původních pokynů
Eredeti utasítások fordítása
Prevod izvirnih navodil
Traducerea instrucțiunilor originale
Orijinal talimatların çevirisi
Превод на оригиналните инструкции
Prijevod originalnih uputa
Originaaljuhiste tõlge
Originalių instrukcijų vertimas
Originālo instrukciju tulkojums
原始说明的翻译
使用說明書初出翻譯
원본 설명서의 번역문

ABOUT CHICAGO PNEUMATIC



Since 1901 the Chicago Pneumatic (CP) name has represented reliability and attention to customer needs, with construction, maintenance and production tools and compressors designed for specific industrial applications. Today, CP has a global reach, with local distributors around the world.

Our people start every single day with a passion to research, develop, manufacture and deliver new products that are meant to meet your needs not only today, but tomorrow as well.

TO LEARN MORE, VISIT WWW.CP.COM



To find more information about your tool, scan the QR code or go to m.cp.com

www.cp.com



**Chicago
Pneumatic**