



Chicago Pneumatic

Safety Information

Printed Matter No. 6151820061

Date: 2022-06 Issue No. 01

Screwdriver

Model:

CP2810

CP2811

CP2812

CP2814

CP2822

CP2824



⚠ WARNING

To reduce risk of injury, everyone using, installing, repairing, maintaining, changing accessories on, or working near this tool **MUST** read and understand these instructions before performing any such task.

DO NOT DISCARD - GIVE TO USER



Pistol Screwdriver : CP2810 / CP2811 / CP2812 / CP2814

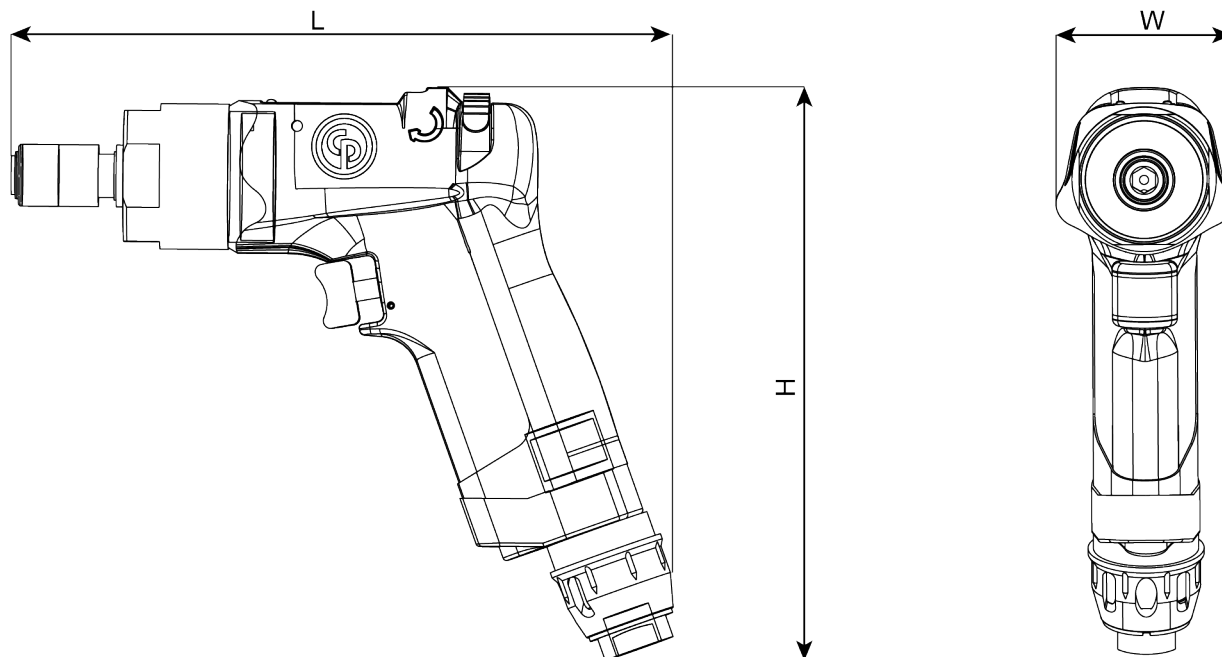


Illustration 1: CP2810 / CP2811 / CP2812 / CP2814

	CP2810	CP2811	CP2812	CP2814
Free Speed Air Consumption (l/s)	5.6	5.6	8.4	6.5
Free Speed Air Consumption (cfm)	11.9	11.9	17.8	17.8
Maximum Working Torque (Nm)	4.5	12	11	4.3
Maximum Working Torque (ft.lbs)	3.3	8.9	8.1	3.17
Air Inlet Thread Size (")	1/4 BSP	1/4 BSP	1/4 BSP	1/8 BSP
Air Inlet Thread Type	BSP	BSP	BSP	BSP
Free Speed	2400	750	950	1100
Sound Pressure Level (db(A))	83	83	82	76
Sound Power Level (db(A))	94	94	93	87
Vibration Level (ahd (m/s ²))	<2.5	<2.5	<2.5	<2.5
Net Weight (Kg)	0.8	0.9	1.1	0.8
Net Weight (lbs)	1.8	2.0	2.4	1.8
Length (")	7.2	8.0	7.2	7.2
Length (mm)	183	204	232	182
Height (")	6.3	6.3	6.3	5.6
Height (mm)	160	160	160	143
Width (")	1.9	1.9	1.9	1.3
Width (mm)	49	49	49	34

Table 1: Pistol Screwdriver

ⓘ Maximum working pressure at free speed is 6.3 bar / 90 psig.

Straight Screwdriver : CP2822 / CP2824

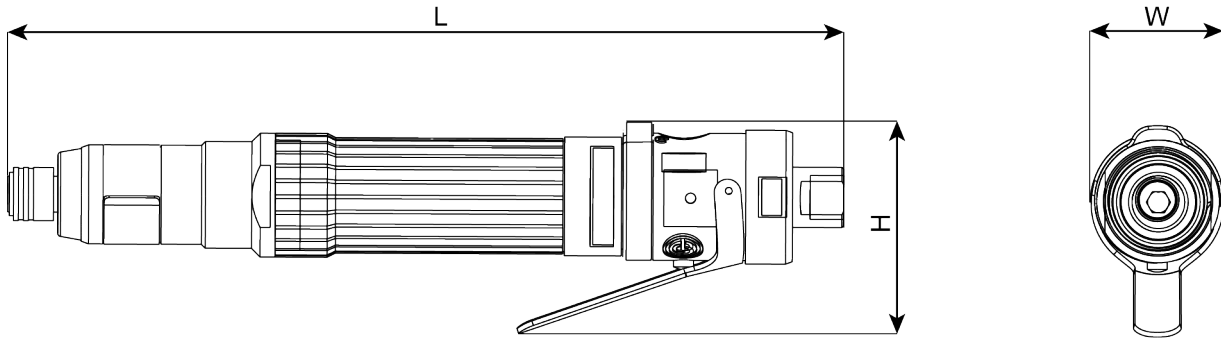


Illustration 2: CP2822 / CP2824

	CP2822	CP2824
Free Speed Air Consumption (l/s)	4	6
Free Speed Air Consumption (cfm)	8.5	12.7
Maximum Working Torque (Nm)	6	1.6
Maximum Working Torque (ft.lbs)	4.4	1.2
Air Inlet Thread Size (")	1/4 BSP	1/4 BSP
Air Inlet Thread Type (")	BSP	BSP
Free Speed	1300	1500
Sound Pressure Level (db(A))	83	73
Sound Power Level (db(A))	94	-
Vibration Level (ahd (m/s ²))	<2.5	<2.5
Net Weight (Kg)	0.9	0.9
Net Weight (lbs)	2.0	2.0
Length (")	9.8	8.7
Length (mm)	250	230
Height (")	1.5	1.5
Height (mm)	37	38
Width (")	1.5	1.5
Width (mm)	37	38

Table 2: Straight Screwdriver

ⓘ Maximum working pressure at free speed is 6.3 bar / 90 psig.

Air Diagrams

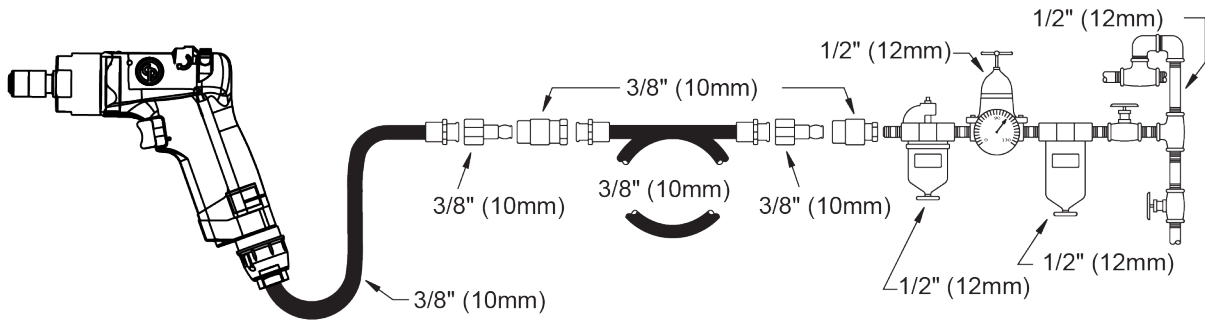


Illustration 3: CP2810 / CP2811 / CP2812 / CP2814

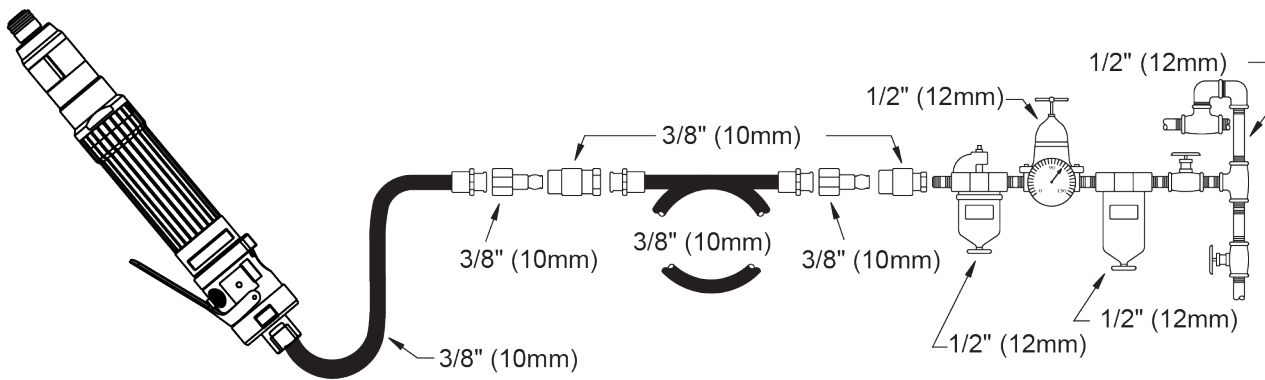


Illustration 4: CP2822 / CP2824

Regulatory Compliance Markings

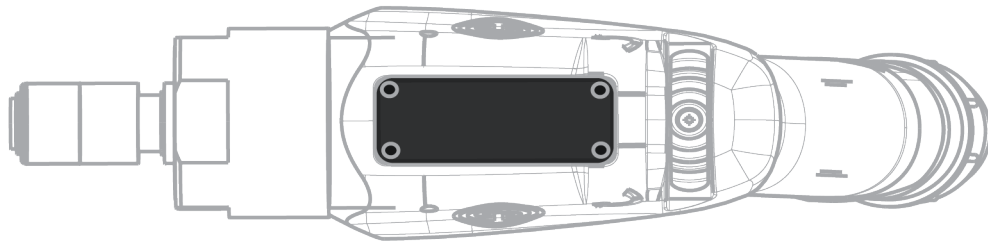


Illustration 5: CP2810 / CP2811 / CP2812

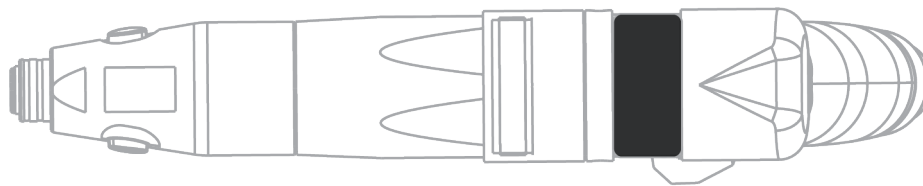


Illustration 6: CP2814

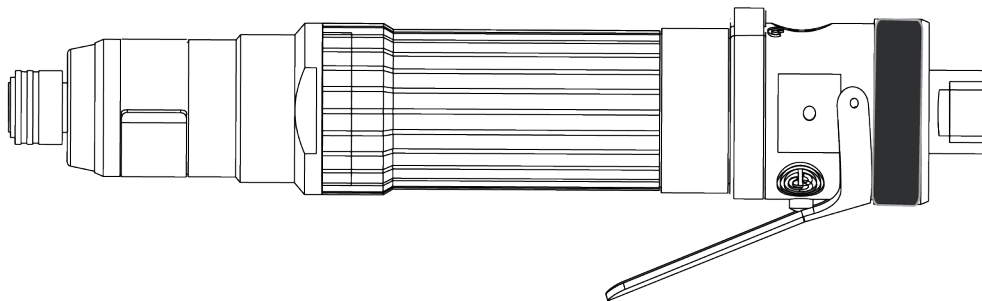


Illustration 7: CP2822 / CP2824

Trigger Function

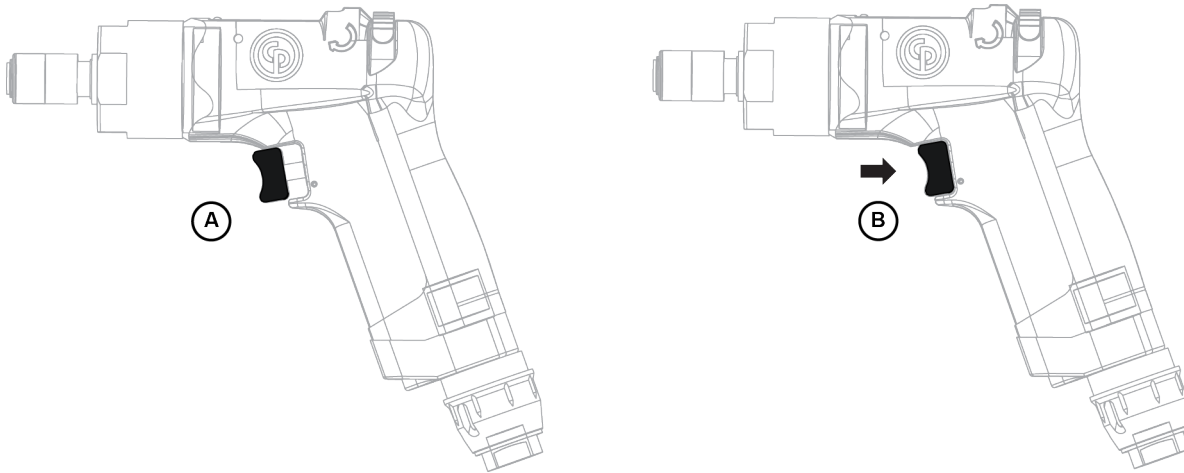


Illustration 8: CP2810 / CP2811 / CP2812 / CP2814

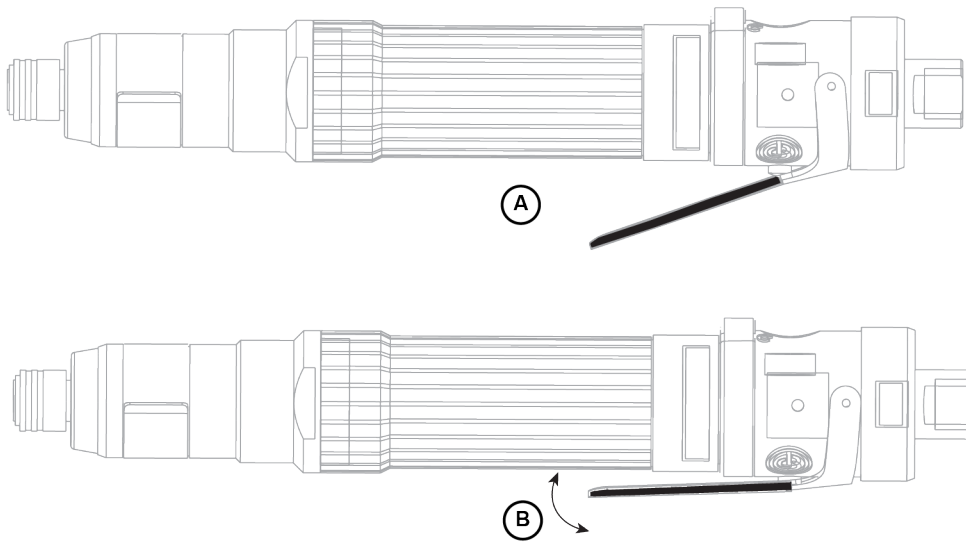


Illustration 9: CP2822 / CP2824

Reversing the Rotation

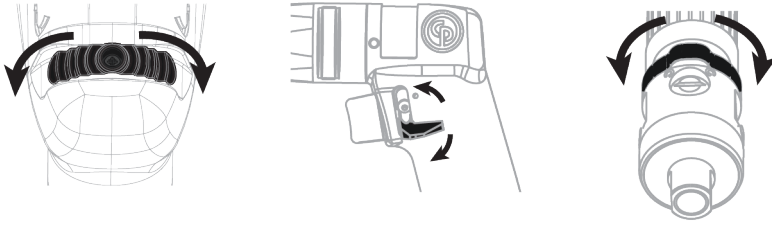


Illustration 10: CP2810 / CP2811 / CP2812 / CP2814 / CP2822 / CP2824

Reverse Air Direction

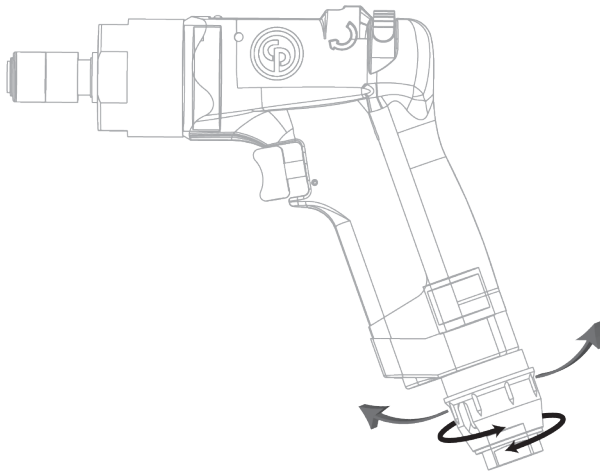


Illustration 11: CP2810 / CP2811 / CP2812

Table of Contents

EN	Safety Information.....	9
FR	Informations concernant la sécurité	14
DE	Sicherheitshinweise.....	19
ES	Información sobre seguridad.....	25
PT	Informação de Segurança.....	30
IT	Informazioni sulla sicurezza.....	35
NL	Veiligheidsinformatie.....	41
DA	Sikkerhedsoplysninger	46
NO	Sikkerhetsinformasjon.....	51
FI	Turvallisuustiedot.....	56
EL	Πληροφορίες για την ασφάλεια	61
SV	Säkerhetsinformation	67
RU	Информация по технике безопасности	71
PL	Informacje dotyczące bezpieczeństwa	78
SK	Bezpečnostné informácie	83
CS	Bezpečnostní informace	88
HU	Biztonsággal kapcsolatos tudnivalók	94
SL	Varnostne informacije.....	99
RO	Informații privind siguranța	104
TR	Güvenlik bilgileri	110
BG	Информация за безопасност.....	115
HR	Sigurnosne informacije	120
ET	Ohutus informatsioon.....	125
LT	Saugos informacija.....	130
LV	Drošības informācija	135
ZH	安全信息.....	141
JA	安全情報.....	145
KO	안전 정보.....	150

Technical Data

Tool Data

	Free speed (rpm)	Weight (kg)	Weight (lb)
CP2810	2400	0.8	1.8
CP2811	750	0.9	2.0
CP2812	950	1.1	2.4
CP2814	1100	0.8	1.8

Table 3: Pistol Screwdriver

ⓘ Maximum working pressure at free speed is 6.3 bar / 90 psig.

	Free speed (rpm)	Weight (kg)	Weight (lb)
CP2822	1300	0.9	2.0
CP2824	1500	0.9	2.0

Table 4: Straight Screwdriver

ⓘ Maximum working pressure at free speed is 6.3 bar / 90 psig.

Additional Accessories

For below models, a side handle must be used if torque exceeds **10 Nm** for pistol screwdriver and **4 Nm** for straight screwdriver.

Model	Side Handle Part Number
CP2810	6151820079
CP2811	6151820079

Model	Side Handle Part Number
CP2812	6151820078
CP2822	6151820078

Declarations

EU Declaration of Conformity

We, **CHICAGO PNEUMATIC Tool Co.LLC**, 1815 Clubhouse Road, Rock Hill, SC 29730 - USA, declare under our sole responsibility that the product (with name, type and serial number, see front page) is in conformity with the following Directive(s):

2006/42/EC

Harmonized standards applied:
EN 11148-6:2012



Authorities can request relevant technical information from:
Pascal Roussy, R&D Manager, Ets Georges Renault, 38 rue Bobby Sands, BP10273 44818 Saint Herblain, France

Saint-Herblain, 2022/05/25

Pascal ROUSSY

Signature of issuer

UK Declaration of Conformity

We **CHICAGO PNEUMATIC Tool Co.LLC**, 1815 Clubhouse Road, Rock Hill, SC 29730 - USA, declare under our sole responsibility that the product (with name, type and serial number, see front page) is in conformity with the following UK Regulation(s):

Supply of Machinery (Safety) Regulations 2008

Designated Standards applied:

EN 11148-6:2012

Saint-Herblain, 2022/05/25

Pascal ROUSSY

Signature of issuer



Authorities can request relevant technical information from:

UK Authorized Representative:

Air Compressors & Tools Ltd

Zodiac – Unit 4, Boundary way

Hemel Hempstead Industrial Estate, HP27SJ Hempsstead

Hertfordshire – UK

Contact: M.Taylor

Noise and Vibration Declaration Statement

Sound Level - ISO 15744

Model	LpA dB(A)	LWA dB(A)
CP2810	83	94
CP2811	83	94
CP2812	82	93
CP2814	76	87
CP2822	83	94
CP2824	73	-

LpA dB(A): sound pressure level

LWA dB(A): sound power level

K / KpA = KWA = 3 dB: uncertainty

Vibration Level -ISO 28927-2

	ahd (m/s ²)	K (m/s ²)
All Models	<2.5	-

ahd, ah: vibration levels

These declared values were obtained by laboratory type testing in accordance with the stated standards and are suitable for comparison with the declared values of other tools tested in accordance with the same standards. These declared values are not adequate for use in risk assessments and values measured in individual work places may be higher. The actual exposure values and risk of harm experienced by an individual user are unique and depend upon the way the user works, the workpiece and the workstation design, as well upon the exposure time and the physical condition of the user.

We, **CHICAGO PNEUMATIC Tool Co.LLC**, cannot be held liable for the consequences of using the declared values, instead of values reflecting the actual exposure, in an individual risk assessment in a work place situation over which we have no control.

This tool may cause hand-arm vibration syndrome if its use is not adequately managed. An EU guide to managing hand-arm vibration can be found by accessing <http://www.pneurop.eu/index.php> and selecting 'Tools' then 'Legislation'.

We recommend a programme of health surveillance to detect early symptoms which may relate to noise or vibration exposure, so that management procedures can be modified to help prevent future impairment.

- ⓘ If this equipment is intended for fixtured applications: The noise emission is given as a guide to the machine-builder. Noise and vibration emission data for the complete machine should be given in the instruction manual for the machine.

Information regarding Article 33 in REACH

The European Regulation (EU) No. 1907/2006 on Registration, Evaluation, Authorization and restriction of Chemicals (REACH) defines among other things requirements related to communication in the supply chain. The information requirement applies also to products containing so called Substances of Very High Concern (the "Candidate List"). On 27 June 2018 lead metal (CAS nr 7439-92-1) was added to the Candidate List.

In accordance with the above this is to inform you that certain mechanical components in the product may contain lead metal. This is in compliance with current substance restriction legislation and based on legit exemptions in the RoHS Directive (2011/65/EU). Lead metal will not leak or mutate from the product during normal use and the concentration of lead metal in the complete product is well below the applicable threshold limit. Please consider local requirements on the disposal of lead at product end of life.

Regional Requirements

⚠ WARNING

This product can expose you to chemicals including lead, which is known to the State of California to cause cancer and birth defects or other reproductive harm. For more information go to

<https://www.p65warnings.ca.gov/>

Safety

DO NOT DISCARD - GIVE TO USER

⚠ WARNING Read all safety warnings, instructions, illustrations and specifications provided with this product.

Failure to follow all instructions listed below may result in electric shock, fire, property damage and/or serious injury.

Save all warnings and instructions for future reference.

⚠ WARNING All locally legislated safety rules regarding installation, operation and maintenance shall be respected at all times.

Statement of Use

- For professional use only.
- This product and its accessories must not be modified in any way.
- Do not use this product if it has been damaged.
- If the product data or hazard warning signs on the product cease to be legible or become detached, replace without delay.
- The product must only be installed, operated and serviced by qualified personnel in an industrial environment.

Intended Use

This product is designed for installing and removing threaded fasteners in wood, metal or plastic. Indoor use only.

No other use permitted.

The use of spare parts or accessories other than those originally supplied by the manufacturer may result in a drop in performance and in an increased maintenance, noise level or vibrations, and as a result, the full cancellation of the manufacturer's liability.

Product Specific Instructions

Product Description

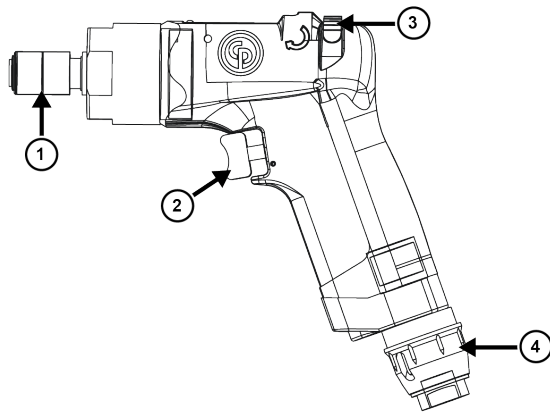


Illustration 12: CP2810 / CP2811 / CP2812

Item	Description
1	Quick Change Chuck
2	Trigger
3	Reverse Rotation Button
4	Adjustable Air Exhaust

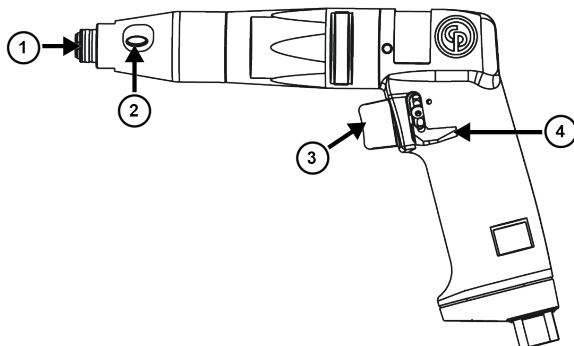


Illustration 13: CP2814

Item	Description
1	Quick Change Chuck
2	Torque Adjustment Access
3	Trigger
4	Reverse Rotation Button

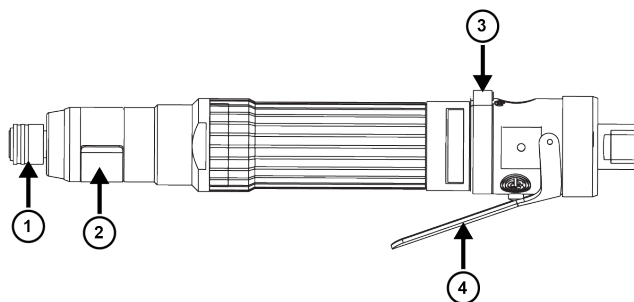


Illustration 14: CP2822 / CP2824

Item	Description
1	Quick Change Chuck
2	Torque Adjustment Access
3	Reverse Rotation Button
4	Trigger

Installing the Tool

1. Fix the accessories properly to the tool.
2. Connect the tools as shown in section Air Diagram [Page 4].

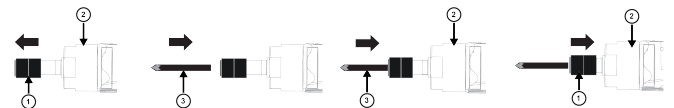
Starting the Tool

⚠ WARNING Operation Hazard

Before starting the tool, make sure the tool is properly connected to the pneumatic supply.

- Check the pneumatic connection.
- Refer air diagram.

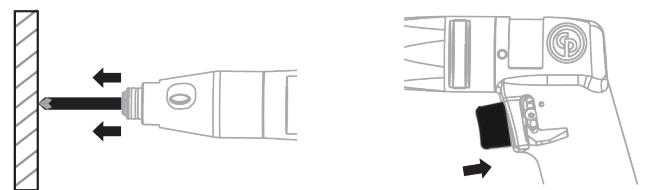
Installing the Bit



1. Pull the quick change chuck (1) from the tool (2).
2. Position the bit (3).
3. Insert bit (3) to the tool (2).
4. Push the quick change chuck (1) to the tool (2).
5. Make sure the quick change chuck (1) is installed properly.

Pressing the Trigger

For CP2810 / CP2811 / CP2812 / CP2814



To operate the push-to-start tool:

1. Apply pressure on the bit while tool is in operation against the object.
2. Press trigger of the tool.

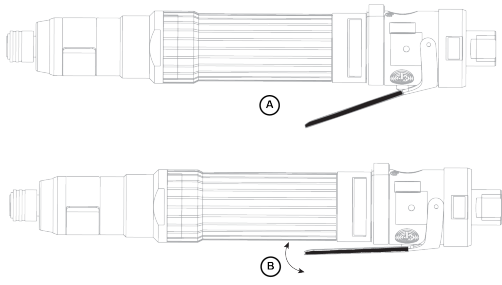
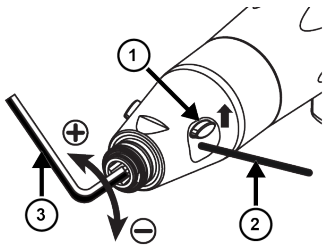


Illustration 15: CP2822 / CP2824

A	Trigger OFF
B	Trigger ON

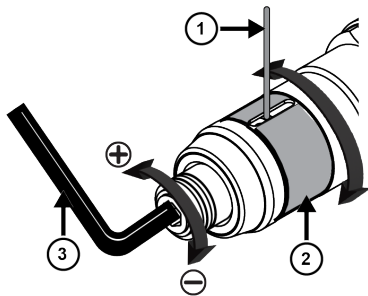
Adjusting the Torque

For CP2812 / CP2814



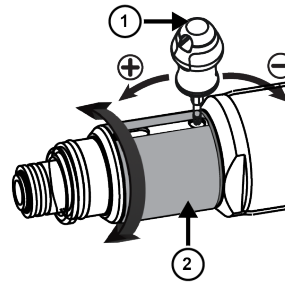
1. Slide torque adjustment access cover (1) up.
2. Insert a stem (2).
3. Insert allen key (3) of size 6.35 mm to adjust the torque.
4. Slide torque adjustment access cover (1) down.

For CP2822



1. Rotate torque adjustment access cover (2) to access slot.
2. Insert a stem (1).
3. Insert allen key (3) of size 6.35 mm to adjust the torque.
4. Rotate torque adjustment access cover (2) to its original position.

For CP2824



1. Rotate torque adjustment access cover (2) to access slot.
2. Insert clutch setting screwdriver (1) to adjust the torque.
3. Rotate torque adjustment access cover (2) to its original position.

General safety instructions

Air supply and connection hazards

- Air under pressure can cause severe injury.
- Always shut off air supply, drain hose of air pressure and disconnect tool from air supply when not in use, before changing accessories or when making repairs.
- Never direct air at yourself or anyone else.
- Whipping hoses can cause severe injury. Always check for damaged or loose hoses and fittings.
- Do not use quick disconnect couplings at tool. See instructions for correct set up.
- Whenever universal twist couplings are used, lock pins must be installed.
- Do not exceed maximum air pressure of 6.3 bar / 90 psig, or as stated on tool nameplate.

Entanglement hazards

- Keep away from rotating drive. Choking, scalping and / or lacerations can occur if loose clothing, gloves, jewellery, neck ware and hair are not kept away from tool and accessories.
- Gloves can become entangled with the rotating drive, causing severed or broken fingers.
- Rotating drive sockets and drive extensions can easily entangle rubber-coated or metal-reinforced gloves.
- Do not wear loose-fitting gloves or gloves with cut or frayed fingers.
- Never hold the drive, socket or drive extension.

Projectile hazards

- Always wear impact-resistant eye and face protection when involved with or near the operation, repair or maintenance of the tool or changing accessories on the tool.
- Be sure all others in the area are wearing impact-resistant eye and face protection. Even small projectiles can injure eyes and cause blindness.

- Serious injury can result from over-torqued or under-torqued fasteners, which can break, or loosen and separate. Released assemblies can become projectiles. Assemblies requiring a specific torque must be checked using a torque meter.

NOTE So-called “click” torque wrenches do not check for potentially dangerous over-torqued conditions.

- Do not use hand sockets. Use only power or impact sockets in good condition.
- Ensure that the workpiece is securely fixed.

Operating hazards

- Disconnect the air supply before handling the screwdriver bit or socket, adjusting the clutch or dismantling the tool.
- Operators and maintenance personnel must be physically able to handle the bulk, weight and power of the tool.
- Hold the tool correctly: be ready to counteract normal or sudden movements – have both hands available.
- Immediately after adjusting the clutch, check for correct operation.
- Do not use with reduced air pressure or in a worn condition: the clutch may not operate, resulting in sudden rotation of the tool handle.
- Always support the tool’s handle securely, in the direction opposite to the spindle rotation, to reduce the effect of sudden torque reaction during final tightening and initial loosening.
- If possible, use a suspension arm to absorb the reaction torque. If that is not possible, side handles are recommended for straight-case and pistol-grip tools; reaction bars are recommended for angle nutrunners. In any case, it is recommended to use a means to absorb the reaction torque above 4 Nm (3 lbf.ft) for straight-case tools, above 10 Nm (7.5 lbf.ft) for pistol-grip tools, and above 60 Nm (44 lbf.ft) for angle nutrunners.
- Fingers can be crushed in open-ended crow-foot nutrunners.
- Do not use in confined spaces: beware of crushing hands between tool and workpiece, especially when unscrewing.

Repetitive motion hazards

- When using a power tool to perform work-related activities, the operator might experience discomfort in the hands, arms, shoulders, neck, or other parts of the body.
- Adopt a comfortable posture whilst maintaining secure footing and avoiding awkward or off-balance postures. Changing posture during extended tasks can help avoid discomfort and fatigue.
- Do not ignore symptoms such as persistent or recurring discomfort, pain, throbbing, aching, tingling, numbness, burning sensation, or stiffness. Stop using the tool, tell your employer and consult a physician.

Noise and Vibration hazards

- High sound levels can cause permanent hearing loss and other problems such as tinnitus. Use hearing protection as recommended by your employer or occupational health and safety regulations.

- Exposure to vibration can cause disabling damage to the nerves and blood supply of the hands and arms. Wear warm clothing and keep your hands warm and dry. If numbness, tingling, pain or whitening of the skin occurs, stop using tool, tell your employer and consult a physician.
- Hold the tool in a light but safe grip because the risk from vibration is generally greater when the grip force is higher. Where possible use a suspension arm or fit a side handle.
- To prevent unnecessary increases in noise and vibration levels:
- Operate and maintain the tool, and select, maintain and replace the accessories and consumables, in accordance with this instruction manual;
- Do not use worn or ill-fitting screwdriver bits, sockets or extensions.

Workplace hazards

- Slip/Trip/Fall is a major cause of serious injury or death. Be aware of excess hose left on the walking or work surface.
- Avoid inhaling dust or fumes or handling debris from the work process which can cause ill health (for example, cancer, birth defects, asthma and/or dermatitis). Use dust extraction and wear respiratory protective equipment when working with materials which produce airborne particles.
- Some dust created by power sanding, sawing, grinding, drilling and other construction activities contains chemicals known to the State of California to cause cancer and birth defects or other reproductive harm. Some examples of these chemicals are:
 - Lead from lead based paints
 - Crystalline silica bricks and cement and other masonry products
 - Arsenic and chromium from chemically-treated rubber

Your risk from these exposures varies, depending on how often you do this type of work. To reduce your exposure to these chemicals: work in a well ventilated area, and work with approved safety equipment, such as dust masks that are specially designed to filter out microscopic particles.

- Proceed with care in unfamiliar surroundings. Be aware of potential hazards created by your work activity. This tool is not insulated from coming into contact with electric power sources.
- This tool is not recommended for use in potentially explosive atmospheres.

i Additional safety information regarding portable air tools:

- CAGI 2528 - B186.1, SAFETY CODE FOR PORTABLE AIR TOOLS, available from Global Engineering Documents at <https://global.ihs.com/> or call +1 800 447-2273. In case of difficulty in obtaining ANSI standards, contact ANSI via <https://www.ansi.org/>

Useful Information

Safety Data Sheet

The Safety Data Sheets describe the chemical products sold by Chicago Pneumatic.

Please consult the Chicago Pneumatic website for more information qr.cp.com/sds.

Country of origin

Hungary

Website

Information concerning our Products, Accessories, Spare Parts and Published Matters can be found on the Chicago Pneumatic website.

Please visit: www.cp.com.

Copyright

© Copyright 2022, CHICAGO PNEUMATIC Tool Co.LLC, 1815 Clubhouse Road, Rock Hill, SC 29730 - USA

All rights reserved. Any unauthorized use or copying of the contents or part thereof is prohibited. This applies in particular to trademarks, model denominations, part numbers and drawings. Use only authorized parts. Any damage or malfunction caused by the use of unauthorised parts is not covered by Warranty or Product Liability.

Caractéristiques techniques

Données de l'outil

	Vitesse libre (tr/min)	Poids (kg)	Poids (lb)
CP2810	2400	0.8	1.8
CP2811	750	0.9	2.0
CP2812	950	1.1	2.4
CP2814	1100	0.8	1.8

Tab. 3: Visseuse pistolet

i La pression de service maximale en vitesse à vide est de 6,3 bar / 90 psig.

	Vitesse libre (tr/min)	Poids (kg)	Poids (lb)
CP2822	1300	0.9	2.0
CP2824	1500	0.9	2.0

Tab. 4: Visseuse droite

i La pression de service maximale en vitesse à vide est de 6,3 bar / 90 psig.

Accessoires supplémentaires

Pour les modèles ci-dessous, une poignée latérale doit être utilisée si le couple dépasse **10 Nm** pour la visseuse pistolet et **4 Nm** pour la visseuse droite.

Modèle	Référence poignée latérale
CP2810	6151820079
CP2811	6151820079

Modèle	Référence poignée latérale
CP2812	6151820078
CP2822	6151820078

Déclarations

Déclaration de conformité UE

Nous, **CHICAGO PNEUMATIC Tool Co.LLC**, 1815 Clubhouse Road, Rock Hill, SC 29730 - USA, déclarons sous notre seule et entière responsabilité que le produit (dont le nom, le type et le numéro de série figurent en première page) est en conformité avec la ou les directives suivantes :

2006/42/EC

Normes harmonisées appliquées :
EN 11148-6:2012



Les autorités peuvent obtenir les informations techniques pertinentes en s'adressant à :

Pascal Roussy, R&D Manager, Ets Georges Renault, 38 rue Bobby Sands, BP10273 44818 Saint Herblain, France

Saint-Herblain, 2022/05/25

Pascal ROUSSY

Signature du déclarant

Déclaration relative au bruit et aux vibrations

Niveau sonore - ISO 15744

Modèle	LpA dB(A)	LWA dB(A)
CP2810	83	94
CP2811	83	94
CP2812	82	93
CP2814	76	87
CP2822	83	94
CP2824	73	-

LpA dB(A) : niveau de pression acoustique

LWA dB(A) : niveau de puissance acoustique

K / KpA = KWA = 3 dB : incertitude

Niveau de vibration - ISO 28927-2

	ahd (m/s ²)	K (m/s ²)
Tous les modèles	<2.5	-

ahd, ah : niveaux de vibration

Les valeurs déclarées ont été obtenues lors d'essais de type réalisés en laboratoire, conformément aux standards établis et peuvent faire l'objet de comparaisons avec les valeurs déclarées d'autres outils testés selon les mêmes standards. Les valeurs déclarées ne peuvent être utilisées dans le cadre d'une estimation des risques et les valeurs relevées sur des postes de travail individuels peuvent s'avérer supérieures. Les valeurs d'exposition réelles et le risque de nuisance pour un utilisateur individuel sont uniques et dépendent de la manière dont l'utilisateur travaille, de la pièce usinée, de l'organisation du poste de travail en lui-même ; ils dépendent également de la durée d'exposition et de la condition physique de l'utilisateur.

Notre société, **CHICAGO PNEUMATIC Tool Co.LLC**, ne peut en aucun cas être tenue responsable des conséquences de l'utilisation des valeurs déclarées à la place des valeurs reflétant l'exposition réelle dans l'évaluation des risques individuels dans un lieu de travail sur lequel nous n'avons aucun contrôle.

Cet outil peut causer un syndrome de vibrations main-bras s'il est mal utilisé. Un guide européen de gestion des vibrations main-bras est disponible sur le site <http://www.pneurop.eu/index.php> en sélectionnant « Tools » puis « Legislation ».

Nous recommandons la mise en place d'un programme de surveillance médicale afin de détecter les premiers symptômes qui pourraient être dus à une exposition aux vibrations ; les procédures de gestion pourraient alors être modifiées pour éviter une future déficience.

- (i)** Si ce matériel est destiné aux applications embarquées : Le niveau sonore est donné à titre indicatif à l'intention du constructeur de machines. Les données de niveau sonore et de vibrations pour la machine complète devront figurer dans le manuel d'utilisation de cette dernière.

Informations concernant l'article 33 de REACH

Le règlement européen (UE) n° 1907/2006 sur l'enregistrement, l'évaluation et l'autorisation des substances chimiques, ainsi que les restrictions applicables à ces substances (REACH) définit entre autres les exigences relatives à la communication dans la chaîne d'approvisionnement. L'obligation d'information s'applique également aux produits contenant des substances dites extrêmement préoccupantes (la « Liste des substances candidates »). Le 27 juin 2018, le plomb (n° CAS 7439-92-1) a été ajouté à la Liste des substances candidates.

Conformément à ce qui précède, ceci est pour vous informer que certains composants mécaniques du produit peuvent contenir du plomb. Ceci est conforme à la législation en vigueur en matière de restriction des substances et se fonde sur les exemptions légales prévues par la directive RoHS (2011/65/UE). Le plomb ne fuira pas ou ne mutera pas du produit lors d'une utilisation normale et la concentration de plomb dans le produit complet est bien en dessous du seuil limite applicable. Veuillez tenir compte des exigences locales concernant l'élimination du plomb en fin de vie du produit.

Spécificités régionales

⚠ AVERTISSEMENT

Ce produit peut vous exposer à des produits chimiques comme le plomb qui est reconnu par l'État de Californie comme cancérigène et causant des malformations congénitales ou autres anomalies de la reproduction. Pour de plus amples informations

<https://www.p65warnings.ca.gov/>

Sécurité

NE PAS JETER - REMETTRE À L'UTILISATEUR

⚠ AVERTISSEMENT Lire l'ensemble des mises en garde et consignes de sécurité ainsi que les illustrations et les caractéristiques techniques fournies avec ce produit.

Le non-respect de toutes les instructions répertoriées ci-dessous peut entraîner un choc électrique, un incendie, des dégâts matériels ou un grave accident corporel.

Conserver l'ensemble des mises en garde et consignes pour pouvoir les consulter ultérieurement.

⚠ AVERTISSEMENT Toutes les réglementations locales de sécurité en matière d'installation, d'utilisation et de réparation doivent toujours être respectées.

Utilisation prévue

- Pour utilisation professionnelle uniquement.
- Ce produit et ses accessoires ne doivent être modifiés en aucune manière.
- Ne pas utiliser ce produit s'il a subi des dégâts.
- Si les vignettes apposées sur le produit pour indiquer les données du produit ou des mises en garde ne sont plus lisibles ou se décollent, les remplacer sans attendre.
- Le produit ne doit être installé que par un personnel qualifié, dans un environnement industriel.

Utilisation prévue

Ce produit est conçu pour poser et déposer des fixations filetées dans le bois, le métal ou le plastique. Utilisation en intérieur uniquement.

Aucune autre utilisation n'est autorisée.

L'utilisation de pièces de rechange ou accessoires autres que ceux fournis d'origine par le fabricant peut entraîner une baisse de rendement et une augmentation de la fréquence des

opérations de maintenance, du niveau sonore ou de vibrations, et par conséquent, l'annulation totale de la responsabilité du constructeur.

Instructions spécifiques au produit

Description du produit

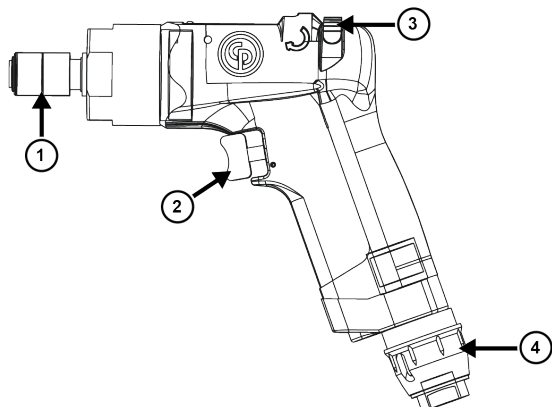


Fig. 12: CP2810 / CP2811 / CP2812

Élément	Description
1	Mandrin à changement rapide
2	Gâchette
3	Bouton d'inversion de la rotation
4	Échappement d'air orientable

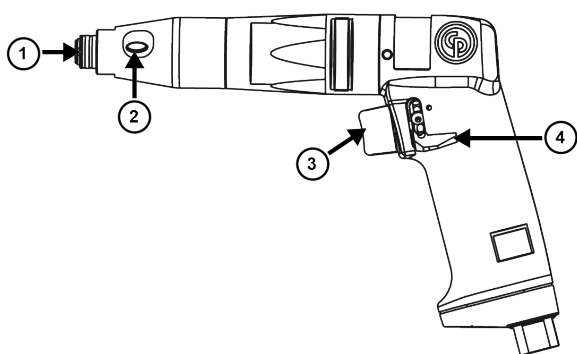


Fig. 13: CP2814

Élément	Description
1	Mandrin à changement rapide
2	Accès au réglage du couple
3	Gâchette
4	Bouton d'inversion de la rotation

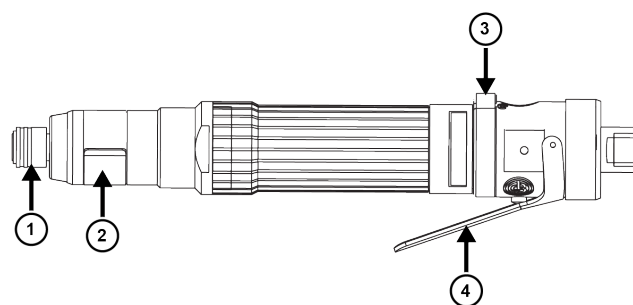


Fig. 14: CP2822 / CP2824

Élément	Description
1	Mandrin à changement rapide
2	Accès au réglage du couple
3	Bouton d'inversion de la rotation
4	Gâchette

Installation de l'outil

1. Fixer les accessoires correctement sur l'outil.
2. Raccorder les outils comme indiqué dans le paragraphe Air diagram [Page 4]

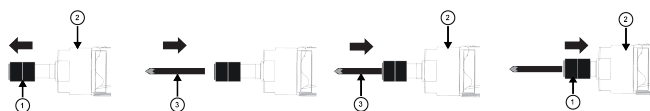
Démarrer l'outil

⚠ AVERTISSEMENT Risques pendant l'utilisation

Avant de démarrer l'outil, vérifier qu'il est correctement raccordé à l'alimentation pneumatique.

- Vérifier le raccordement pneumatique.
- Se référer au schéma du système d'air.

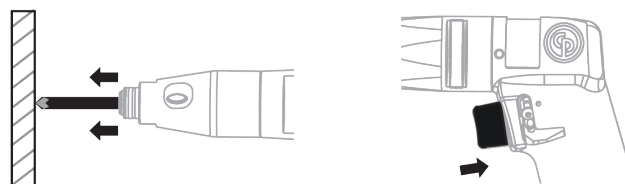
Installation de l'embout



1. Tirer le mandrin à changement rapide (1) de l'outil (2).
2. Placer l'embout (3).
3. Insérer l'embout (3) dans l'outil (2).
4. Enfoncer le mandrin à changement rapide (1) sur l'outil (2).
5. Vérifier que le mandrin à changement rapide (1) est correctement installé.

Pression sur la gâchette

Pour CP2810 / CP2811 / CP2812 / CP2814



Pour utiliser l'outil à démarrage par poussée :

1. Appliquer une pression sur l'embout pendant que l'outil est en fonctionnement sur l'objet.
2. Appuyer sur la gâchette de l'outil.

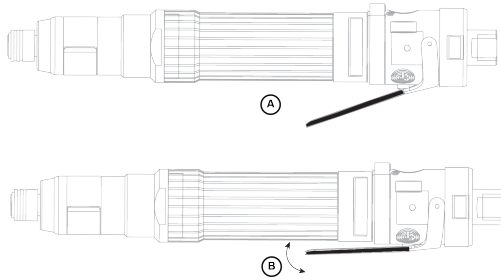
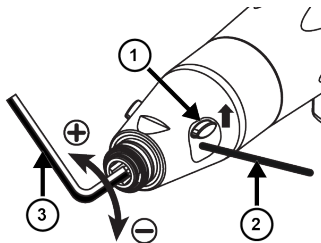


Fig. 15: CP2822 / CP2824

A	Gâchette ARRÊT
B	Gâchette MARCHE

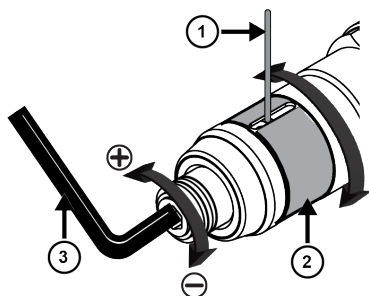
Réglage du couple

Pour CP2812 / CP2814



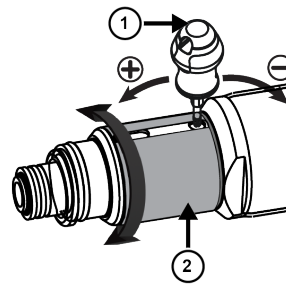
1. Faire glisser le couvercle d'accès au réglage du couple (1) vers le haut.
2. Insérer une tige (2)
3. Insérer une clé Allen (3) de taille 6,35 mm pour régler le couple.
4. Faire glisser le couvercle d'accès au réglage du couple (1) vers le bas.

Pour CP2822



1. Faire pivoter le couvercle d'accès au réglage du couple (2) pour accéder à l'emplacement.
2. Insérer une tige (1)
3. Insérer une clé Allen (3) de taille 6,35 mm pour régler le couple.
4. Faire pivoter le couvercle d'accès au réglage du couple (2) vers sa position initiale.

Pour CP2824



1. Faire pivoter le couvercle d'accès au réglage du couple (2) pour accéder à l'emplacement.
2. Insérer un tournevis de réglage d'embrayage (1) pour régler le couple.
3. Faire pivoter le couvercle d'accès au réglage du couple (2) vers sa position initiale.

Consignes générales de sécurité

Dangers liés à l'alimentation en air et aux branchements

- L'air sous pression peut provoquer de graves blessures.
- Toujours arrêter l'alimentation en air, évacuer l'air sous pression contenu dans les flexibles et débrancher l'outil du circuit d'alimentation en air lorsqu'il n'est pas utilisé, avant de changer d'accessoire ou avant d'effectuer des réparations.
- Ne jamais diriger le jet d'air vers soi ou vers quelqu'un d'autre.
- Le fouettement des tuyaux souples peut provoquer de graves blessures. Toujours vérifier que les tuyaux souples et les raccords ne sont ni endommagés ni desserrés.
- N'utilisez pas de raccord à débranchement rapide sur l'outil. Effectuer l'installation conformément aux instructions.
- Chaque fois que des raccords universels sont utilisés, il faut installer des goupilles de verrouillage.
- Ne pas dépasser la pression d'air maximale de 6,3 bar / 90 psi relatifs ou la pression indiquée sur la plaque signalétique de l'outil.

Risques de happement

- Tenez-vous à l'écart de la broche en rotation. Il existe un risque d'étranglement, d'arrachement du cuir chevelu ou de lacérations si les vêtements amples, gants, bijoux, articles portés autour du cou et cheveux ne sont pas tenus à distance de l'outil et des accessoires.
- Les gants peuvent être happés par la broche d'entraînement tournante, avec un risque de blessure ou de fracture des doigts.
- Les douilles et rallonges d'entraînement en rotation peuvent facilement happer les gants à revêtement caoutchouc ou à renfort métallique.
- Ne pas porter de gants trop grands ni de gants présentant des doigts coupés ou effilochés.
- Ne jamais tenir la broche d'entraînement, la douille ou la rallonge.

Risques de projections

- Portez toujours une protection des yeux et du visage résistante aux chocs pour travailler avec l'outil ou à proximité, pour les réparations ou l'entretien de l'outil ou pour changer des accessoires.
- Veillez à ce que toutes les personnes se trouvant à proximité portent une protection des yeux et du visage résistante aux chocs. Même de petits projectiles peuvent abîmer les yeux et provoquer une cécité.
- Les fixations trop ou pas assez serrées peuvent se rompre, se desserrer ou se détacher, entraînant de graves accidents. Les assemblages peuvent constituer des projectiles lorsqu'ils ne sont plus fixés. Si les assemblages sont à serrer à un couple spécifique, vérifier le serrage avec un couplemètre.

REMARQUE Les clés dynamométriques « à déclic » ne signalent pas les couples trop élevés ni les situations dangereuses.

- Ne pas utiliser de douilles pour clés manuelles. Utiliser uniquement des douilles pour boulonneuses ou clés à chocs en bon état.
- S'assurer que la pièce à travailler est solidement fixée.

Risques pendant l'utilisation

- Débrancher l'alimentation en air avant de manipuler l'embout de vissage ou la douille, de régler l'embrayage ou de démonter l'outil.
- Les utilisateurs et le personnel d'entretien doivent être physiquement capable de manier l'outil qui peut être encombrant, lourd et puissant.
- Prise en main correcte de l'outil : se tenir prêt à contrecarrer des mouvements normaux ou brusques - garder les deux mains libres pour maîtriser l'outil.
- Vérifiez que le fonctionnement est correct tout de suite après avoir ajusté l'embrayage.
- Ne pas utiliser avec une pression d'air réduite et ne pas utiliser un outil usé : l'embrayage pourrait ne pas fonctionner et causer une rotation soudaine de la poignée de l'outil.
- Tenir toujours fermement la poignée de l'outil, dans le sens contraire à la rotation de la broche, pour pouvoir réduire l'effet des réactions soudaines au serrage/desserrage initial.
- Si possible, utiliser un bras de suspension pour absorber le couple de réaction. Si cela n'est pas possible, il est recommandé d'équiper les outils droits et à poignée révoluer de poignées latérales ; pour les boulonneuses à renvoi d'angle, il est conseillé d'utiliser des tocs de réaction. Dans tous les cas, il est recommandé d'utiliser un moyen quelconque pour absorber le couple de réaction au-dessus de 4 Nm pour les outils droits, au-dessus de 10 Nm pour les outils à poignée révoluer et au-dessus de 60 Nm pour les boulonneuses à renvoi d'angle.
- Il existe un risque d'écrasement des doigts dans les boulonneuses à extrémité ouverte en pied-de-biche.
- Ne pas utiliser l'outil dans un espace restreint : attention au risque d'écrasement des mains entre l'outil et la pièce, surtout au dévissage.

Dangers liés aux mouvements répétitifs

- Lorsqu'il utilise un outil motorisé pour effectuer un travail, l'opérateur peut ressentir un inconfort au niveau des mains, des bras, des épaules, du cou ou d'autres parties du corps.
- Adopter une posture confortable tout en gardant de bons appuis et en évitant les mauvaises positions ou les positions déséquilibrées. Changer de posture pendant la réalisation de tâches prolongées peut contribuer à éviter l'inconfort et la fatigue.
- Ne pas ignorer les symptômes tels qu'un inconfort persistant ou récurrent, des douleurs, élancements, maux divers, fourmillements, engourdissements, une sensation de brûlure ou une raideur. Cesser d'utiliser l'outil, avertir l'employeur et consulter un médecin.

Dangers liés au bruit et aux vibrations

- Les niveaux sonores élevés peuvent provoquer une perte d'acuité auditive permanente ou d'autres problèmes tels que des acouphènes. Utiliser les protections auditives recommandées par l'employeur ou par la réglementation en matière d'hygiène et de sécurité au travail.
- L'exposition aux vibrations peut occasionner des lésions nerveuses handicapantes et empêcher le passage du sang aux mains et aux bras. Porter des vêtements chauds et garder les mains au chaud et au sec. Si des sensations d'engourdissement, de fourmillement, des douleurs ou une décoloration de la peau apparaissent, cesser immédiatement d'utiliser l'outil, avertir l'employeur et consulter un médecin.
- Tenir l'outil d'une main légère mais sûre : le risque des vibrations est en effet généralement plus grand lorsque l'on exerce une force de préhension plus importante. Si possible, utiliser un bras de suspension ou équiper l'outil d'une poignée latérale.
- Pour prévenir toute augmentation inutile du niveau sonore et des vibrations :
- exploiter et entretenir l'outil et procéder au choix, à l'entretien et au remplacement des accessoires et consommables conformément à la présente notice d'utilisation ;
- Ne pas utiliser des embouts de vissage, douilles ou rallonges usés ou tenant mal.

Dangers liés au lieu de travail

- Les glissades, trébuchements ou chutes sont une cause majeure d'accidents corporels graves voire mortels. Penser à la surlongueur de flexible restant dans le passage ou dans l'aire de travail.
- Éviter d'inhaler les poussières ou vapeurs ou de manipuler les débris provenant des travaux qui peuvent provoquer des maladies (par exemple cancer, problèmes respiratoires, asthme ou dermatite). Utiliser des équipements d'extraction des poussières et porter des équipements de protection respiratoire pour travailler avec des matériaux qui produisent des particules en suspension.
- Certaines poussières créées par ponçage mécanisé, sciage, meulage, perçage et autres travaux de construction contiennent des substances chimiques qui sont reconnues

comme pouvant provoquer des cancers, des anomalies congénitales et autres problèmes de reproduction. Parmi ces substances chimiques, on trouve :

- le plomb provenant des peintures au plomb ;
- la silice cristalline présente dans les briques, le ciment et autres matériaux de maçonnerie ;
- l'arsenic et le chrome provenant des caoutchoucs traités chimiquement.

Le risque lié à l'exposition à ces substances varie en fonction de la fréquence à laquelle on effectue ce type de travaux. Pour réduire l'exposition à ces substances chimiques : travailler dans des endroits correctement ventilés et avec des équipements de sécurité homologués tels que des masques antipoussières spécialement conçus pour filtrer les particules microscopiques.

- Procéder avec précautions dans un environnement non familier. Soyez toujours conscient des dangers potentiels créés par votre activité. Cet outil n'est pas isolé en cas de contact avec une source d'alimentation électrique.
- L'utilisation de cet outil n'est pas recommandée dans les atmosphères potentiellement explosibles.

ⓘ Informations de sécurité supplémentaires concernant les outils pneumatiques portables :

- CAGI 2528 - B186.1, CODE DE SÉCURITÉ POUR LES OUTILS PNEUMATIQUES PORTABLES, disponible auprès de Global Engineering Documents sur <https://global.ihs.com/> ou par téléphone au +1 800 447-2273. Si vous avez des problèmes à obtenir les normes ANSI, veuillez contacter ANSI à <https://www.ansi.org>.

Informations utiles

Fiche de données de sécurité

Les Fiches de données de sécurité décrivent les produits chimiques vendus par Chicago Pneumatic.

Veuillez consulter le site Web Chicago Pneumatic pour plus d'informations qr.cp.com/sds.

Pays d'origine

Hungary

Site web

Des informations à propos de nos Produits, Accessoires, Pièces de rechange et Documentation sont disponibles sur le site Web de Chicago Pneumatic.

Veuillez consulter : www.cp.com.

Copyright

© Copyright 2022, CHICAGO PNEUMATIC Tool Co.LLC, 1815 Clubhouse Road, Rock Hill, SC 29730 - USA

Tous droits réservés. Toute utilisation non autorisée ou copie de tout ou partie du présent document est interdite. Ceci s'applique plus particulièrement aux marques de commerce,

dénominations de modèles, références et schémas. Utiliser exclusivement les pièces autorisées. Tout dommage ou dysfonctionnement causé par l'utilisation d'une pièce non autorisée ne sera pas couvert par la garantie du fabricant ou la responsabilité du fait des produits.

Technische Daten

Werkzeugdaten

	Leerlaufdrehzahl (U/min)	Gewicht (kg)	Gewicht (Pfd.)
CP2810	2400	0.8	1.8
CP2811	750	0.9	2.0
CP2812	950	1.1	2.4
CP2814	1100	0.8	1.8

Tab. 3: Pistolenschrauber

ⓘ Maximaler Betriebsdruck bei Leerlaufdrehzahl beträgt 6,3 bar / 90 psig.

	Leerlaufdrehzahl (U/min)	Gewicht (kg)	Gewicht (Pfd.)
CP2822	1300	0.9	2.0
CP2824	1500	0.9	2.0

Tab. 4: Stabschrauber

ⓘ Maximaler Betriebsdruck bei Leerlaufdrehzahl beträgt 6,3 bar / 90 psig.

Zusätzliches Zubehör

Für die folgenden Modelle muss ein Seitengriff verwendet werden, wenn das Drehmoment **10 Nm** für Pistolenschrauber und **4 Nm** für Stabschrauber übersteigt.

Modell	Teilnummer des Seitengriffs
CP2810	6151820079
CP2811	6151820079

Modell	Teilnummer des Seitengriffs
CP2812	6151820078
CP2822	6151820078

Erklärungen

EU-Konformitätserklärung

Wir, **CHICAGO PNEUMATIC Tool Co.LLC**, 1815 Clubhouse Road, Rock Hill, SC 29730 - USA, erklären hiermit in alleiniger Verantwortung, dass dieses Produkt (mit Bezeichnung, Typ und Seriennummer laut Deckblatt) die Anforderungen der folgenden Richtlinie(n) erfüllt:

2006/42/EC

Angewandte harmonisierte Normen:
EN 11148-6:2012



Behörden können relevante technische Informationen anfordern von:

Pascal Roussy, R&D Manager, Ets Georges Renault, 38 rue Bobby Sands, BP10273 44818 Saint Herblain, France

Saint-Herblain, 2022/05/25

Pascal ROUSSY

Unterschrift des Ausstellers

Statement zur Geräusch & Vibrations-Deklaration

Schallpegel - ISO 15744

Modell	LpA dB(A)	LWA dB(A)
CP2810	83	94
CP2811	83	94
CP2812	82	93
CP2814	76	87
CP2822	83	94
CP2824	73	-

LpA dB(A): Schalldruckpegel

LWA dB(A): Schallleistungspegel

K / KpA = KWA = 3 dB: Unsicherheit

Vibrationsstärke -ISO 28927-2

	ahd (m/s ²)	K (m/s ²)
Alle Modelle	<2.5	-

ahd, ah: Vibrationspegel

Diese angegebenen Werte wurden während eines Laborversuchs gemäß der vorgegebenen Normen durchgeführt und sind zum Vergleich mit angegebenen Werten anderer Werkzeuge geeignet, welche gemäß derselben Normen geprüft wurden. Diese angegebenen Werte reichen für eine Verwendung in der Risikobewertung nicht aus, wobei Werte gemessen an den verschiedenen Arbeitsplätzen höher liegen

können. Die tatsächlichen Expositionswerte und das Gefährdungsrisiko, welchen die einzelne Bedienperson ausgesetzt ist, sind einmalig und hängen von der Arbeitsweise der Bedienperson, dem Werkstück und der Auslegung des Arbeitsplatzes ab, sowie von der Expositionsdauer und der physischen Verfassung der Bedienperson.

Wir, **CHICAGO PNEUMATIC Tool Co.LLC**, können nicht für Folgen, die sich aus der Verwendung der von uns angegebenen Werte statt der realen Belastungswerte für die Risikoeinschätzung einer Arbeitsplatzsituation ergeben, haftbar gemacht werden, da wir auf diese keinen Einfluss haben.

Dieses Werkzeug kann bei nicht angemessener Verwendung ein Hand-Arm-Vibrationssyndrom verursachen. Einen EU-Leitfaden, der sich mit Hand-Arm-Vibration befasst, finden Sie unter <http://www.pneurop.eu/index.php> und durch Auswahl von „Werkzeuge“ und „Gesetzgebung“.

Wir empfehlen ein Programm zur Gesundheitsüberwachung, durch welches frühe Symptome erkannt werden können, welche auf die Vibrationsexposition zurückgeführt werden könnten, so dass die Abläufe der Maßnahmen daraufhin so geändert werden können, dass zukünftige Beeinträchtigungen vermieden werden.

- ⓘ Wenn dieses Gerät für Einbauanwendungen vorgesehen ist:
Angaben zur Geräuschemission dienen als Richtwert für den Gerätebauer. Für das komplette Gerät geltende Geräusch- und Vibrationsemissionsdaten sollten in der zum Gerät gehörenden Bedienungsanleitung aufgeführt werden.

Informationen zu Artikel 33 in REACH

Die Verordnung (EG) Nr. 1907/2006 des Europäischen Parlaments und des Rates zur Registrierung, Bewertung, Zulassung und Beschränkung chemischer Stoffe (REACH) definiert unter anderem Anforderungen an die Kommunikation innerhalb der Lieferkette. Die Informationspflicht gilt auch für Produkte, die sogenannte besonders besorgniserregende Stoffe enthalten (die „Kandidatenliste“). Am 27. Juni 2018 wurde Blei (CAS Nr. 7439-92-1) in die Kandidatenliste aufgenommen.

Gemäß den oben genannten Verordnungen und Hinweise informieren wir Sie hiermit darüber, dass bestimmte mechanische Komponenten des Produkts Blei enthalten können. Dies steht im Einklang mit den geltenden Rechtsvorschriften für Stoffbeschränkungen und basiert auf legalen Ausnahmen in der RoHS-Richtlinie (2011/65/EU). Bei normalem Gebrauch treten aus dem Produkt kein Blei oder Bleiderivate aus und die Bleikonzentration liegt weit unterhalb des geltenden Grenzwerts. Beachten Sie am Ende der Produktlebensdauer die vor Ort geltenden Bestimmungen zur Entsorgung von Blei.

Regionale Anforderungen

⚠️ WARNUNG

Dieses Produkt kann Sie Chemikalien, einschließlich Blei, aussetzen, was nach Kenntnis des Bundesstaats Kalifornien zu Krebserkrankungen und Geburtsfehlern oder sonstigen Schäden am Fortpflanzungssystem führen kann. Weitere Informationen finden Sie unter <https://www.p65warnings.ca.gov/>

Sicherheit

NICHT WEGWERFEN - AN BENUTZER WEITERLEITEN

⚠️ WARNUNG Lesen Sie alle mit diesem Produkt gelieferten Sicherheitshinweise, Anweisungen, Abbildungen und Spezifikationen.

Eine Nichtbeachtung der Anweisungen kann zu Stromschlägen, Bränden, Sachschäden und/oder ernsthaften Verletzungen führen.

Bewahren Sie alle Warnhinweise und Anweisungen zur künftigen Verwendung auf.

⚠️ WARNUNG Alle örtlichen Vorschriften, die Installation, Bedienung und Wartung betreffen, müssen immer beachtet werden.

Nutzungserklärung

- Nur zum Gebrauch durch ausgebildete Fachkräfte.
- Dieses Produkt und sein Zubehör dürfen in keinem Fall modifiziert werden.
- Benutzen Sie dieses Produkt nicht, wenn es beschädigt ist.
- Wenn die Produktdatenschilder oder Gefahrenwarnschilder unleserlich werden oder sich ablösen, sind diese sofort zu ersetzen.
- Das Produkt darf nur von geschulten Fachkräften und nur in Industrieumgebungen installiert, bedient und gewartet werden.

Vorgesehener Verwendungszweck

Dieses Produkt ist für das Einsetzen und Entfernen von Gewindeschrauben in Holz, Metall oder Kunststoff konzipiert. Nur zur Verwendung in Innenräumen.

Sonstige Verwendungen sind unzulässig.

Die Verwendung anderer Ersatz- oder Zubehörteile als der ursprünglich vom Hersteller gelieferten kann zu einem Leistungsabfall und verstärktem Wartungsbedarf, höheren Schall- und Vibrationspegeln und hierdurch zu einer vollständigen Aufhebung der Herstellergarantie führen.

Produktspezifische Anweisungen

Produktbeschreibung

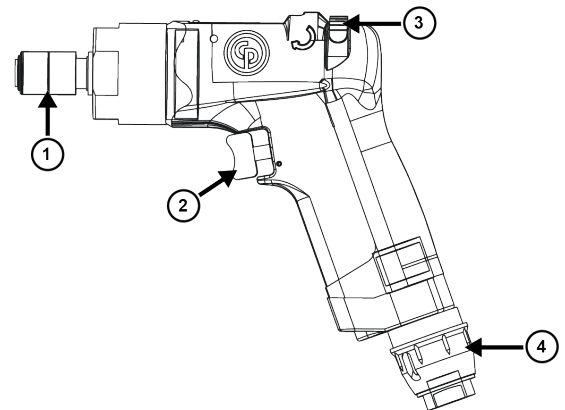


Abb. 12: CP2810 / CP2811 / CP2812

Artikel	Beschreibung
1	Schnellwechselfutter
2	Startknopf
3	Taste zur Umkehr der Drehrichtung
4	Einstellbare Abluftführung

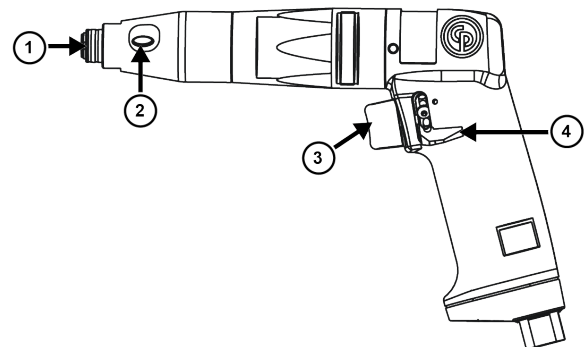


Abb. 13: CP2814

Artikel	Beschreibung
1	Schnellwechselfutter
2	Zugang für Drehmomenteinstellung
3	Startknopf
4	Taste zur Umkehr der Drehrichtung

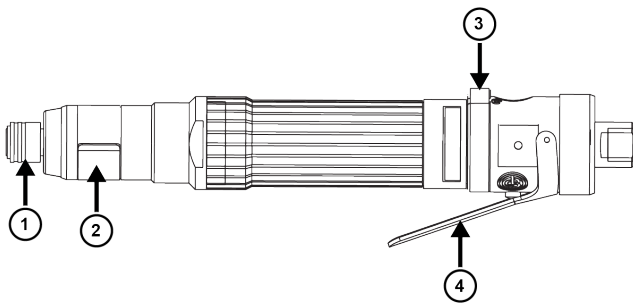


Abb. 14: CP2822 / CP2824

Artikel	Beschreibung
1	Schnellwechselfutter
2	Zugang für Drehmomenteinstellung
3	Taste zur Umkehr der Drehrichtung
4	Startknopf

Installation des Werkzeugs

1. Befestigen Sie das Zubehör ordnungsgemäß am Werkzeug.
2. Schließen Sie die Werkzeuge wie im Bereich Air diagram [Seite 4] dargestellt an.

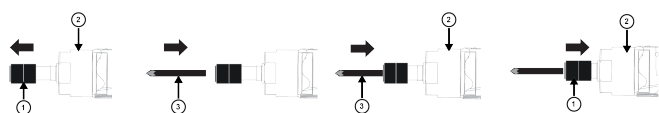
Starten des Werkzeugs

⚠️ WARNUNG Gefahren beim Betrieb

Stellen Sie vor dem Start des Werkzeugs sicher, dass dieses korrekt an die Luftversorgung angeschlossen ist.

- Prüfen Sie die Druckluftverbindung.
- Siehe Luftleitungszeichnung.

Installation des Bits



1. Ziehen Sie das Schnellwechselfutter (1) vom Werkzeug (2) ab.
2. Bringen Sie den Bit (3) in seine Position.
3. Führen Sie den Bit (3) in das Werkzeug (2) ein.
4. Schieben Sie das Schnellwechselfutter (1) auf das Werkzeug (2).
5. Achten Sie darauf, dass das Schnellwechselfutter (1) korrekt montiert ist.

Betätigung des Auslösers

Für CP2810 / CP2811 / CP2812 / CP2814



Zum Betrieb des Schubstartwerkzeugs:

1. Üben Sie Druck auf den Bit aus, während das Werkzeug für den Betrieb am Objekt anliegt.
2. Betätigen Sie den Auslöser des Werkzeugs.

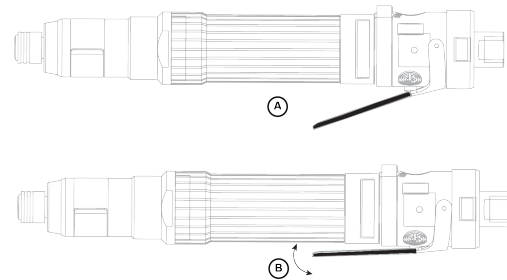
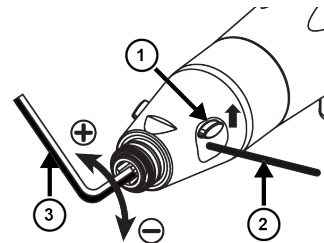


Abb. 15: CP2822 / CP2824

A	Auslöser AUS
B	Auslöser EIN

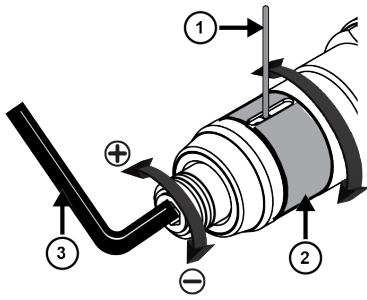
Drehmomenteinstellung

Für CP2812 / CP2814



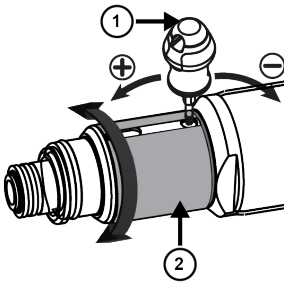
1. Schieben Sie die Abdeckung des Zugangs für die Drehmomenteinstellung (1) nach oben.
2. Führen Sie eine Stange (2) ein.
3. Führen Sie einen Inbusschlüssel (3) der Größe 6,35 mm ein, um das Drehmoment anzupassen.
4. Schieben Sie die Abdeckung des Zugangs für die Drehmomenteinstellung (1) nach unten.

Für CP2822



1. Drehen Sie die Abdeckung des Zugangs für die Drehmomenteinstellung (2), um den Zugang zum Schlitz zu ermöglichen.
2. Führen Sie eine Stange (1) ein.
3. Führen Sie einen Inbusschlüssel (3) der Größe 6,35 mm ein, um das Drehmoment anzupassen.
4. Drehen Sie die Abdeckung des Zugangs für die Drehmomenteinstellung (2) in ihre ursprüngliche Position zurück.

Für CP2824



1. Drehen Sie die Abdeckung des Zugangs für die Drehmomenteinstellung (2), um den Zugang zum Schlitz zu ermöglichen.
2. Führen Sie den Schraubendreher für die Kupplungseinstellung (1) ein, um das Drehmoment anzupassen.
3. Drehen Sie die Abdeckung des Zugangs für die Drehmomenteinstellung (2) in ihre ursprüngliche Position zurück.

Allgemeine Sicherheitshinweise

Gefahren im Zusammenhang mit Luftversorgung und -anschlüssen

- Druckluft kann schwere Verletzungen verursachen.
- Schließen Sie stets die Luftzufuhr, lassen Sie die Druckluft aus dem Schlauch entweichen und trennen Sie das Werkzeug von der Luftzufuhr, wenn das Werkzeug nicht in Gebrauch ist und bevor Sie Zubehör austauschen oder Reparaturen ausführen.
- Richten Sie die Druckluft nie auf sich oder andere.
- Lose, unter Druck stehende Schläuche können schwere Verletzungen verursachen. Überprüfen Sie das Werkzeug stets auf beschädigte oder lose Schläuche und Anschlussstücke.

- Verwenden Sie bei diesem Werkzeug keine schnell lösenden Kupplungen. Beachten Sie die Anweisungen für die ordnungsgemäße Einrichtung.
- Bei Verwendung von Universal-Drehkupplungen müssen Sperrrasten montiert werden.
- Beachten Sie die Höchstgrenze für den Luftdruck von 6,3 bar (90 psig) bzw. die auf dem Typenschild des Werkzeugs angegebene Höchstgrenze.

Gefahren durch Verfangen

- Halten Sie sich vom Drehantrieb fern. Halten Sie weite Kleidung, Handschuhe, Schmuck, Krawatten, Halstücher und Haare vom Werkzeug und Zubehör fern. Eine Verwicklung kann zur Strangulierung, Skalpierung und/oder zu Schnittwunden führen.
- Handschuhe können sich in der umlaufenden Antriebsspindel verfangen, was dazu führen kann, dass Finger abgetrennt oder gebrochen werden.
- Mit Gummi beschichtete oder metallverstärkte Handschuhe können sich leicht in umlaufenden Steckschlüsseln und Antriebsverlängerungen verfangen.
- Keine weiten Handschuhe oder Handschuhe tragen, bei denen die Fingerteile Risse aufweisen oder ausgefranst sind.
- Antrieb, Steckschlüssel oder Antriebsverlängerungen niemals halten.

Gefahren im Zusammenhang mit katapultierten Bauteilen

- Tragen Sie stets schlagfeste Schutzbrillen und Gesichtsschutz, wenn Sie mit dem Werkzeug arbeiten, es warten oder reparieren, Zubehör austauschen oder sich in der Nähe der Arbeiten am oder mit dem Werkzeug aufhalten.
- Achten Sie darauf, dass andere, die sich in der Nähe des Werkzeugs aufhalten, schlagfeste Schutzbrillen und Gesichtsschutz tragen. Auch kleine Absplitterungen können Augenverletzungen und Erblindung hervorrufen.
- Es können schwere Verletzungen von Befestigungselementen ausgelöst werden, die mit zu hohem oder zu niedrigem Drehmoment behandelt wurden, da diese brechen, sich lösen oder in ihre Komponenten zerfallen können. Freigesetzte Baugruppenkomponenten können zu Projektilen werden. Schraubverbindungen, für die ein bestimmtes Drehmoment vorgeschrieben ist, müssen mit einem Drehmomentmesser nachgeprüft werden.

HINWEIS: So genannte „Knickschlüssel“ erlauben keine Kontrolle eventuell überhöhter Anzugsmomente.

- Keine Steckschlüssel für Handknarren verwenden. Nur für Kraft- oder Schlagschrauber vorgesehene Steckschlüssel, die sich in gutem Zustand befinden, benutzen.
- Stellen Sie sicher, dass das Werkstück sicher fixiert ist.

Gefahren während des Betriebs

- Vor dem Hantieren mit dem Schrauberbit oder Steckschlüssel, dem Justieren der Kupplung oder dem Zerlegen des Werkzeugs den Druckluftschlauch abnehmen.

- Bedien- und Wartungspersonal muss in der körperlichen Verfassung sein, um mit Größe, Gewicht und Leistung des Werkzeugs zu Rande zu kommen.
- Das Werkzeug ordnungsgemäß halten: Stets bereit bleiben, um normale oder plötzliche Bewegungen aufzufangen zu können – beide Hände verfügbar verhalten.
- Kontrollieren Sie den ordnungsgemäßen Betrieb sofort, nachdem Sie die Kupplung justiert haben.
- Nicht mit einem verminderten Luftdruck oder in einem abgenutzten Zustand verwenden: Wenn die Kupplung nicht arbeitet, kann eine plötzliche Rotierung des Griffs erfolgen.
- Den Gerätegriff sicher aufnehmen – in der der Spindeldrehung entgegengesetzten Richtung. Auf diese Weise werden plötzliche Drehmomentreaktionen in der Phase der endgültigen Verschraubung oder bei Beginn des Lösenvorgangs vermieden.
- Nach Möglichkeit eine Aufhängestütze zur Aufnahme des Reaktionsmoments verwenden. Falls dies nicht möglich ist, wird für Pistolengriff- und Stabmodelle die Verwendung von Seitenhaltegriffen empfohlen. Für Winkelschrauber werden Gegenhalter empfohlen. Auf jeden Fall wird empfohlen, bei Stabmodellen eine Vorrichtung zur Aufnahme von Reaktionsmomenten von über 4 Nm (3 lbf.ft), bei Pistolengriffmodellen zur Aufnahme von Reaktionsmomenten von über 10 Nm (7,5 lbf.ft) und bei Winkelschraubern zur Aufnahme von Reaktionsmomenten von über 60 Nm (44 lbf.ft) zu verwenden.
- Finger können in Werkzeugen mit offenem Schlüsselrad zerquetscht werden.
- Nicht unter beengten Platzverhältnissen verwenden: Hüten Sie sich vor einer Quetschung Ihrer Hände zwischen dem Werkzeug und dem zu bearbeitenden Teil, insbesondere beim Lösen.

Gefahren im Zusammenhang mit sich wiederholenden Bewegungen

- Im Beruf kann die Verwendung eines Elektrowerkzeugs nach längerer Zeit zu Unbehagen an Händen, Armen, Schultern, Nacken oder anderen Körperteilen führen.
- Nehmen Sie eine bequeme Stellung ein, achten Sie gleichzeitig auf einen sicheren Stand und vermeiden Sie eine schlechte oder schiefe Körperhaltung. Bei längeren Arbeiten können Unbehagen und Ermüdung sich dadurch vermeiden lassen, dass immer wieder die Körperhaltung gewechselt wird.
- Ignorieren Sie keine Symptome wie anhaltendes oder wiederkehrendes Unbehagen, Schmerzen, Pochen, Kribbeln, Gefühllosigkeit, ein brennendes Gefühl, Gelenksteifigkeit oder sonstige Beschwerden. In dem Fall die Verwendung des Werkzeugs einstellen, Ihren Arbeitgeber benachrichtigen und einen Arzt aufsuchen.

Lärm- und Schwingungsgefährdung

- Hohe Geräuschpegel können zu dauerhaftem Gehörverlust und anderen Problemen wie Ohrensausen führen. Verwenden Sie Gehörschutz, wie von Ihrem Arbeitgeber oder von den Arbeitsschutzvorschriften empfohlen.

- Vibrationsbelastungen können zu Nervenschäden führen und die Durchblutung von Händen und Armen beeinträchtigen. Warme Kleidung tragen und die Hände stets warm und trocken halten. Sollten Sie Gefühllosigkeit, Kribbeln, Schmerzen oder weiße Flecken an Ihrer Haut bemerken, arbeiten Sie nicht mehr mit diesem Werkzeug, benachrichtigen Sie Ihren Arbeitgeber und wenden Sie sich an einen Arzt.
- Halten Sie das Werkzeug leicht aber sicher, da die mit Vibrationen verbundenen Risiken im Allgemeinen bei höherer Greifkraft größer sind. Verwenden Sie nach Möglichkeit eine Aufhängestütze oder bringen Sie einen Seitenhaltegriff an.
- So verhindern Sie unnötige Anstiege des Lärm- und Vibrationspegels:
- Nehmen Sie Betrieb und Wartung des Werkzeugs sowie Auswahl, Wartung und Ersatz der Zubehörteile und Verbrauchsmaterialien gemäß dieser Bedienungsanleitung vor.
- Keine abgenutzten oder schlecht sitzenden Schraubbits, Steckschlüssel oder Verlängerungen verwenden.

Gefahren am Arbeitsplatz

- Ausrutschen, Stolpern und Stürze gehören zu den häufigsten Verletzungs- oder Todesursachen. Stellen Sie sicher, dass weder auf dem Boden noch auf der Arbeitsfläche Schläuche herumliegen, die nicht gebraucht werden.
- Vermeiden Sie das Einatmen von Staub, Rauch oder Schmutz vom Arbeitsprozess, die Krankheiten verursachen können (z. B. Krebs, Geburtsfehler, Asthma und/oder Dermatitis). Verwenden bei der Arbeit mit Materialien, die Schwebstaub erzeugen, eine Staubabsauganlage und Atemschutz.
- Bestimmte Stäube, die beim Schmirgeln, Sägen, Schleifen, Bohren und bei anderen Herstellungs- und Bautätigkeiten entstehen, enthalten Chemikalien, die nach dem Informationsstand des US-Bundesstaates Kalifornien Krebs sowie embryonale Missbildungen oder sonstige Störungen der Fortpflanzungsorgane hervorrufen. Unter anderem sind folgende Chemikalien schädlich:
 - Blei aus bleihaltigen Farben und Lacken
 - Kristalliner Silikastein, Zement und sonstige Baustoffe
 - Arsen und Chrom aus chemisch behandeltem Gummi.

Das Ausmaß Ihrer Gefährdung hängt u. a. von der Häufigkeit ab, mit der Sie diesen Stoffen ausgesetzt sind. So schützen Sie sich bestmöglich gegen solche Chemikalien: Achten Sie auf eine ausreichende Belüftung des Arbeitsbereichs und arbeiten Sie mit der angebrachten Sicherheitsausrüstung wie Staubschutzmasken mit speziellen Mikropartikelfiltern.

- Arbeiten Sie in unbekanntem Umgebungen besonders vorsichtig. Machen Sie sich stets die potenziellen Gefahren bewusst, die von Ihrer Arbeit ausgehen. Dieses Werkzeug ist nicht gegen einen Kontakt mit Stromquellen isoliert.

- Dieses Werkzeug ist nicht für den Einsatz in Umgebungen mit Explosionsgefahr geeignet.

i **Zusätzliche Sicherheitshinweise für tragbare Druckluftwerkzeuge:**

- CAGI 2528 - B186.1, SICHERHEITSCODE FÜR TRAGBARE DRUCKLUFTWERKZEUGE; zu beziehen von Global Engineering Documents unter <https://global.ihs.com/> oder telefonisch unter +1 800 447-2273. ANSI-Normen können auch direkt bei ANSI unter <https://www.ansi.org/> angefordert werden.

Nützliche Informationen

Sicherheitsdatenblatt

Die Sicherheitsdatenblätter enthalten Beschreibungen der von Chicago Pneumatic vertriebenen chemischen Produkte.

Weitere Informationen finden Sie auf der Webseite von Chicago Pneumatic unter qr.cp.com/sds.

Herkunftsland

Hungary

Website

Informationen zu unseren Produkten, Zubehör, Ersatzteilen und Veröffentlichungen finden Sie auf der Internetseite von Chicago Pneumatic.

Besuchen Sie: www.cp.com.

Copyright

© Copyright 2022, CHICAGO PNEUMATIC Tool Co.LLC, 1815 Clubhouse Road, Rock Hill, SC 29730 - USA

Alle Rechte vorbehalten. Jeglicher nicht autorisierte Gebrauch sowie das Kopieren der Inhalte ganz oder in Teilen ist verboten. Dies gilt insbesondere für Handelsmarken, Modellbezeichnungen, Artikelnummern und Zeichnungen. Verwenden Sie ausschließlich Originalbauteile. Schäden oder Fehlfunktionen, die durch den Einsatz unzulässiger Bauteile entstehen, sind nicht von der Garantie oder Produkthaftung abgedeckt.

Datos técnicos

Datos de la herramienta

	Velocidad en vacío (rpm)	Peso (kg)	Peso (lb)
CP2810	2400	0.8	1.8
CP2811	750	0.9	2.0
CP2812	950	1.1	2.4
CP2814	1100	0.8	1.8

Tabla 3: Destornillador de pistola

- i** Presión de trabajo máxima con velocidad en vacío 6,3 bar/90 psig.

	Velocidad en vacío (rpm)	Peso (kg)	Peso (lb)
CP2822	1300	0.9	2.0
CP2824	1500	0.9	2.0

Tabla 4: Destornillador recto

- i** Presión de trabajo máxima con velocidad en vacío 6,3 bar/90 psig.

Accesorios adicionales

Para los siguientes modelos, se debe utilizar una empuñadura lateral si el par supera **10 Nm** para destornillador de pistola y **4 Nm** para destornillador recto.

Modelo	Número de pieza de empuñadura lateral
CP2810	6151820079
CP2811	6151820079

Modelo	Número de pieza de empuñadura lateral
CP2812	6151820078
CP2822	6151820078

Declaraciones

Declaración de conformidad UE

Nosotros, **CHICAGO PNEUMATIC Tool Co.LLC**, 1815 Clubhouse Road, Rock Hill, SC 29730 - USA, declaramos bajo nuestra única responsabilidad que el producto (con nombre, tipo y número de serie indicados en la primera página) es conforme a las siguientes Directivas:

2006/42/EC

Normativas armonizadas aplicadas:

EN 11148-6:2012

Las autoridades pueden solicitar información técnica relevante a:

Pascal Roussy, R&D Manager, Ets Georges Renault, 38 rue Bobby Sands, BP10273 44818 Saint Herblain, France

Saint-Herblain, 2022/05/25

Pascal ROUSSY

Firma del emisor




Declaración sobre ruido y vibraciones

Nivel acústico - ISO 15744

Modelo	LpA dB(A)	LWA dB(A)
CP2810	83	94
CP2811	83	94
CP2812	82	93
CP2814	76	87
CP2822	83	94
CP2824	73	-

LpA dB(A): nivel de presión acústica

LWA dB(A): nivel potencia acústica

K / KpA = KWA = 3 dB: incertidumbre

Nivel de vibración -ISO 28927-2

	ahd (m/s ²)	K (m/s ²)
Todos los modelos	<2.5	-

ahd, ah: niveles de vibración

Los valores declarados han sido obtenidos en ensayos de laboratorio realizados según la normativa indicada y pueden utilizarse para compararlos con los valores declarados para otras herramientas que hayan sido ensayadas siguiendo la misma normativa. Los valores declarados no se pueden utilizar para evaluación de riesgos y los valores obtenidos en cada lugar de trabajo podrían alcanzar cifras superiores. Los valores reales de exposición y de riesgo de daños para cada individuo dependen del sistema de trabajo del usuario, del diseño del puesto de trabajo y de la pieza, y también del tiempo de exposición y del estado físico del usuario.

Nosotros, **CHICAGO PNEUMATIC Tool Co.LLC**, no tendremos responsabilidad alguna por las consecuencias del uso de los valores declarados en lugar de unos valores que reflejen la exposición real, en una evaluación de riesgos individuales en una situación de trabajo sobre la que no tenemos control alguno.

Esta herramienta puede causar síndrome de vibración si su uso no se administra de forma adecuada. Puede encontrar una guía de la UE sobre cómo manejar la vibración mano-brazo accediendo a <http://www.pneurop.eu/index.php> y seleccionando "Tools" (Herramientas) y "Legislation" (Legislación).

Se recomienda mantener un programa de control sanitario de detección precoz de los síntomas relacionados con la exposición a vibraciones, con objeto de modificar los procedimientos de gestión y así evitar posibles discapacidades.

i Este equipo está diseñado para aplicaciones de montaje de sujeción:

La emisión de ruido se indica a modo de guía para el fabricante de la máquina. Los datos de emisiones de ruido y vibraciones de toda la máquina deberán incluirse en el manual de instrucciones de esta.

Información relacionada con el Artículo 33 en REACH

El Reglamento europeo (UE) n.º 1907/2006 relativo al registro, evaluación, autorización y restricción de las sustancias y preparados químicos (REACH) define, entre otras cosas, los requisitos relacionados con la comunicación en la cadena de suministro. El requisito de información también es aplicable a los productos que contengan las llamadas Sustancias muy preocupantes (la «Lista de candidatos»). El 27 de junio de 2018 se añadió el plomo (CAS n.º 7439-92-1) a la Lista de candidatos.

De acuerdo con lo mencionado anteriormente, el objetivo del presente documento es informarle de que determinados componentes mecánicos en el producto pueden contener plomo. El presente documento es de conformidad con la legislación sobre restricción de sustancias actual y se basa en las exenciones legítimas en la Directiva RoHS (2011/65/UE). No se producirán fugas de plomo ni mutará a partir del producto durante el uso normal y la concentración de plomo en el producto completo se encuentra bastante por debajo del límite umbral aceptable. Tenga en cuenta los requisitos locales sobre el desecho del plomo al final de la vida útil del producto.

Requisitos regionales**⚠ ADVERTENCIA**

Este producto le puede exponer al plomo, considerado por el Estado de California como causante de cáncer y de malformaciones congénitas u otros daños reproductivos. Para más información visite

<https://www.p65warnings.ca.gov/>

Seguridad

CONSERVAR - ENTREGAR AL USUARIO

⚠ ADVERTENCIA Lea todas las advertencias, instrucciones, ilustraciones y especificaciones de seguridad suministradas con este producto.

Si no se siguen todas las instrucciones que se indican a continuación pueden producirse descargas eléctricas, incendios, daños en la propiedad y/o lesiones graves.

Guarde todas las advertencias e instrucciones para futuras consultas.

⚠ ADVERTENCIA Respete siempre todas las normas de seguridad relativas a la instalación, funcionamiento y mantenimiento de acuerdo a la legislación local.**Declaración de uso**

- Solo para uso profesional.
- No se debe modificar ningún aspecto de este producto ni de sus accesorios.
- No utilice este producto si está dañado.
- Si los datos del producto o las señales de advertencia de peligro en el producto dejan de ser legibles o se desprenden, sustitúyalas sin demora.

- Solo personal cualificado puede instalar, operar y realizar servicios en el producto en un entorno industrial.

Uso previsto

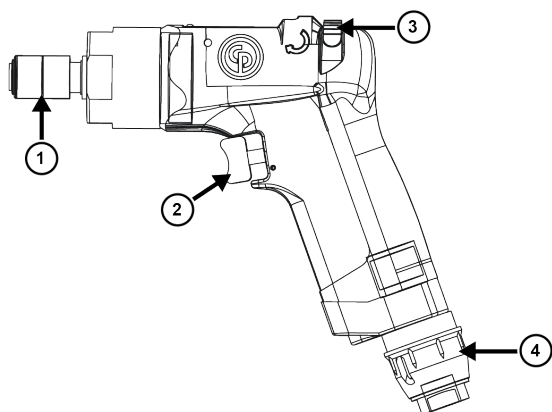
Este producto está diseñado para la instalación y extracción de uniones roscadas en madera, metal o plástico. Solamente para uso en interiores.

No se permite ningún otro uso.

El uso de las piezas de repuesto o accesorios no originales puede producir un menoscabo del rendimiento, un aumento de las tareas de mantenimiento, del nivel acústico o de vibraciones y, como resultado, la anulación completa de la responsabilidad del fabricante.

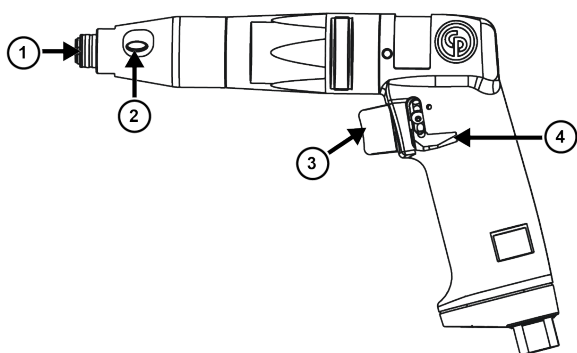
Instrucciones específicas para el producto

Descripción del producto



Captura 12: CP2810 / CP2811 / CP2812

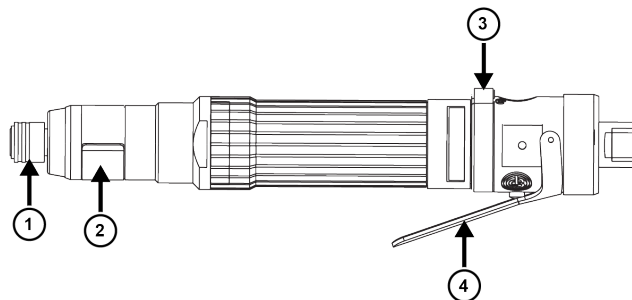
Elemento	Descripción
1	Portabrocas de cambio rápido
2	Gatillo
3	Botón de rotación inversa
4	Escape de aire regulable



Captura 13: CP2814

Elemento	Descripción
1	Portabrocas de cambio rápido
2	Acceso a ajuste de par

Elemento	Descripción
3	Gatillo
4	Botón de rotación inversa



Captura 14: CP2822 / CP2824

Elemento	Descripción
1	Portabrocas de cambio rápido
2	Acceso a ajuste de par
3	Botón de rotación inversa
4	Gatillo

Instalar de la herramienta

1. Fijar los accesorios a la herramienta de forma correcta.
2. Conecte las herramientas como se indica en el apartado Air diagram [página 4].

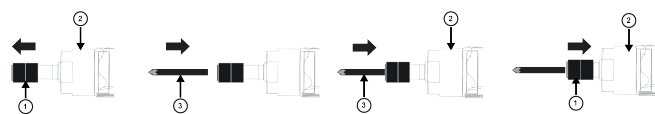
Iniciar la herramienta

⚠ ADVERTENCIA Riesgos derivados del uso

Antes de poner en marcha la herramienta, asegúrese de que la herramienta está conectada correctamente al suministro neumático.

- Compruebe la conexión neumática.
- Consulte el diagrama de aire.

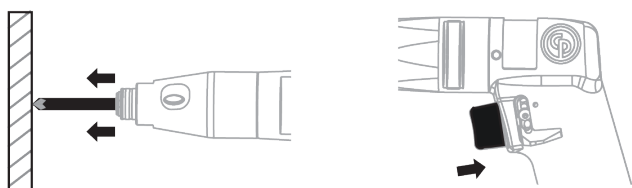
Instalar la punta



1. Estire del portabrocas de cambio rápido (1) en la herramienta (2).
2. Coloque la punta (3)
3. Inserte la punta (3) en la herramienta (2).
4. Empuje el portabrocas de cambio rápido (1) en la herramienta (2).
5. Asegúrese de que el portabrocas de cambio rápido (1) está instalado correctamente.

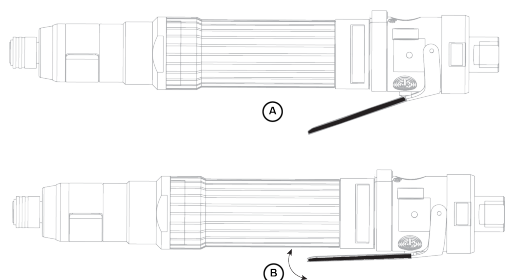
Pulsar el gatillo

Para CP2810 / CP2811 / CP2812 / CP2814



Para operar la herramienta con gatillo

1. Aplique presión en la punta mientras la herramienta está en marcha contra el objeto.
2. Pulse el gatillo de la herramienta.

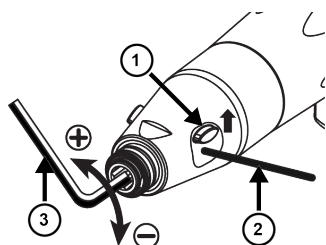


Captura 15: CP2822 / CP2824

A	Gatillo apagado
B	Gatillo encendido

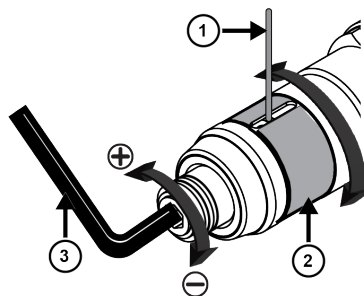
Ajustar el par

Para CP2812 / CP2814



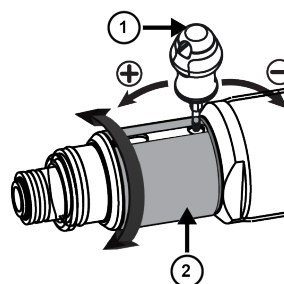
1. Deslice hacia arriba la cubierta de acceso al ajuste de par (1).
2. Inserte un vástago (2).
3. Inserte una llave allen (3) de 6,35 mm de tamaño para ajustar el par.
4. Deslice hacia abajo la cubierta de acceso al ajuste de par (1).

Para CP2822



1. Gire la cubierta de acceso al ajuste de par (2) para acceder a la ranura.
2. Inserte un vástago (1).
3. Inserte una llave allen (3) de 6,35 mm de tamaño para ajustar el par.
4. Gire la cubierta de acceso al ajuste de par (2) a su posición original.

Para CP2824



1. Gire la cubierta de acceso al ajuste de par (2) para acceder a la ranura.
2. Inserte el destornillor de ajuste de portabrocas (1) para ajustar el par.
3. Gire la cubierta de acceso al ajuste de par (2) a su posición original.

Instrucciones generales de seguridad

Peligro en el suministro de aire y las conexiones

- El aire a presión puede causar lesiones graves.
- Siempre antes de realizar reparaciones o cambiar accesorios, apague el suministro de aire, vacíe la manguera de presión de aire y desconecte la herramienta del suministro de aire cuando no esté en uso.
- Nunca apunte la salida de aire hacia usted o hacia ninguna otra persona.
- Las mangueras de conexión pueden causar lesiones graves. Siempre debe comprobar las mangueras y los ajustes dañados o sueltos.
- No utilice en la herramientas acoplamiento de desconexión rápida. Consulte las instrucciones para realizar una instalación adecuada.
- Siempre que se utilicen acoplamiento universal de espirales, deberán instalarse pasadores de bloqueo.

- La presión de aire no puede exceder un máximo de 6,3 bar / 90 psi o según se especifique en la placa de identificación de la herramienta.

Riesgos de atrapamiento

- Manténgase apartado del mecanismo de rotación. Pueden producirse estrangulamientos, pérdidas de cabello y/o laceraciones si no se mantienen la ropa, las joyas, los colgantes y el pelo alejados de la herramienta y de los accesorios.
- Los guantes pueden quedar atrapados en el eje giratorio, causando heridas o roturas en los dedos.
- Los zócalos del eje giratorio y las extensiones de este pueden atrapar fácilmente los guantes recubiertos de goma o reforzados con metal.
- No utilice guantes sueltos ni guantes que dejen los dedos al aire.
- Nunca sujete el eje, el zócalo ni la extensión del eje.

Riesgos de emisión de proyectiles

- Utilice siempre protección facial y ocular resistente a impactos cuando esté en contacto o próximo al funcionamiento, reparación o mantenimiento de la herramienta o al cambio de accesorios de la misma.
- Asegúrese de que las otras personas que se encuentran en el área de trabajo también utilizan protección facial y ocular resistente de impactos. Incluso los proyectiles de tamaño reducido pueden producir daños oculares y ceguera.
- Pueden producirse lesiones personales graves si los tornillos se aprietan demasiado o demasiado poco, ya que pueden romperse, o alojarse y separarse. Los montajes que se suelten disparados pueden convertirse en proyectiles. Los montajes que precisen un par específico deben comprobarse utilizando un medidor de par.

NOTA Las llaves dinamométricas llamadas de “clic” no comprueban las condiciones de sobrepar potencialmente peligrosas.

- No utilice llaves manuales. Utilice únicamente llaves eléctricas o de impacto que estén en buen estado.
- Asegúrese de que la pieza de trabajo esté bien sujeta.

Riesgos derivados del uso

- Desconecte el suministro de aire antes de manipular la punta de destornillador o la boquilla, antes de ajustar el embrague o desensamblar la herramienta.
- Los operarios y el personal de mantenimiento deben estar físicamente capacitados para manejar el volumen, peso y potencia de la herramienta.
- Sostenga la herramienta correctamente. Esté preparado para contrarrestar los movimientos normales o repentinos utilizando las dos manos.
- Inmediatamente después de ajustar el embrague, verifique el funcionamiento normal.
- No usar con una presión de aire reducida o en condición desgastada: el embrague no funcionará, resultando en la brusca rotación del mango de la máquina.

- Debe sostenerse siempre el mango de la herramienta con seguridad, en la dirección contraria a la rotación del huso, para reducir el efecto del par de reacción repentino durante el apriete final o aflojamiento inicial.
- Si es posible, utilice un brazo de suspensión para absorber el par de reacción. Si no es posible, se recomienda la utilización de empuñaduras laterales para herramientas de caja recta y herramientas con empuñadura de pistola; se recomienda utilizar barras de reacción para aprietatuercas de ángulo. En cualquier caso, se recomienda el uso de un método de absorción del par de reacción superior a 4 Nm (3 lbf.ft) para herramientas de caja recta, superior a 10 Nm (7,5 lbf.ft) para herramientas con empuñadura de pistola y superior a 60 Nm (44 lbf.ft) para aprietatuercas de ángulo.
- Los dedos pueden quedar aplastados en las llaves abiertas.
- No utilizar en espacios reducidos: tener cuidado de no atraparse las manos entre la máquina y la pieza, especialmente cuando destornillando.

Riesgos derivados por movimientos repetitivos

- Cuando se utiliza una herramienta mecánica para actividades de trabajo, el operario puede experimentar molestias en las manos, brazos, hombros, cuellos u otras partes del cuerpo.
- Adopte una postura cómoda mientras mantiene una posición firme evitando posturas extrañas o desequilibradas. Cambiar de postura durante las tareas prolongadas puede ayudar a evitar las molestias y la fatiga.
- No ignore síntomas como las molestias persistentes o recurrentes, el dolor, dolores punzantes, hormigueos, adormecimientos, sensación de quemazón o rigidez. Deje de utilizar la herramienta, informe a su superior y consulte a un médico.

Riesgos derivados del ruido y la vibración

- Los niveles sonoros elevados pueden provocar pérdida de oído permanente y otros problemas como el tinnitus. Utilice protección para los oídos siguiendo las recomendaciones de su empresa o de las normas de seguridad y salud ocupacional.
- La exposición a la vibración puede causar daños en los nervios y el suministro sanguíneo en manos y brazos. Utilice ropa de abrigo y mantenga las manos calientes y secas. Si siente adormecimiento, cosquilleo, dolor o palidez en la piel, deje de usar la herramienta, informe a su superior y consulte a un médico.
- Sujete la herramienta de forma ligera pero segura ya que el riesgo de vibraciones es normalmente superior cuando aumenta la fuerza de sujeción. Si es posible, utilice un brazo de suspensión o instale una empuñadura lateral.
- Para evitar aumentos innecesarios de los niveles de ruido y vibración:
- Utilice y mantenga la herramienta, y seleccione, mantenga y sustituya los accesorios y los consumibles, de acuerdo con este manual de instrucciones;
- No utilice puntas de destornillador, bocas o extensiones gastadas o con ajustes incorrectos.

Riesgos en el lugar de trabajo

- Resbalones, tropiezos y caídas son las causas más frecuentes de lesiones graves o muerte. Preste atención a las mangueras que se encuentren en el suelo o en la superficie de trabajo.
- Evite la inhalación de polvo y humo y la manipulación de residuos producidos en el proceso de trabajo, ya que pueden provocar enfermedades (tales como cáncer, alteraciones en el feto, asma o dermatitis). Utilice un extractor de polvo y un equipo de protección respiratorio cuando vaya a trabajar con materiales que generen partículas que se desplazan por el aire.
- Las operaciones de lijar, aserruchar, esmerilar, taladrar y otras actividades de construcción producen polvo que podría contener productos químicos que se ha demostrado en el Estado de California que causan cáncer, defectos de nacimiento u otros daños reproductivos. Algunos ejemplos de estos productos químicos son los siguientes:
 - Plomo de las pinturas con base de plomo
 - Cemento y ladrillos de sílice cristalina y otros productos de mampostería
 - Arsénico y cromo provenientes de madera químicamente tratada.

El riesgo de exposición varía de acuerdo con la frecuencia que usted realice este tipo de trabajo. Para reducir su exposición a estos productos químicos: trabaje en una área bien ventilada y con equipo de seguridad apropiado, tal como máscaras contra el polvo especialmente diseñadas para filtrar las partículas microscópicas.

- Trabajar con cuidado en lugares desconocidos. Tenga en cuenta los peligros potenciales creados por su actividad de trabajo. Esta herramienta no esta aislada para el contacto con fuentes de alimentación eléctrica.
- Esta herramienta no está diseñada para utilizarse en ambientes explosivos ni lleva aislamiento especial contra contactos con fuentes de comente eléctrica.

i Información sobre seguridad adicional relacionada con las herramientas neumáticas portátiles:

- CAGI 2528 - B186.1, SAFETY CODE FOR PORTABLE AIR TOOLS, disponible en Global Engineering Documents en <https://global.ihs.com/> o llame al número +1 800 447-2273. En su defecto, para obtener una copia de las normas ANSI, contactar a ANSI en <https://www.ansi.org/>

Información de utilidad

Ficha de seguridad

Las fichas de seguridad describen los productos químicos vendidos por Chicago Pneumatic.

Consulte el sitio web Chicago Pneumatic para más información qr.cp.com/sds.

País de origen

Hungary

Sitio de Internet

Puede encontrar información relacionada con nuestros productos, accesorios, piezas de repuesto y material impreso en el sitio web Chicago Pneumatic.

Visite: www.cp.com.

Copyright

© Copyright 2022, CHICAGO PNEUMATIC Tool Co.LLC, 1815 Clubhouse Road, Rock Hill, SC 29730 - USA

Todos los derechos reservados. Queda prohibido el uso autorizado o la copia total o parcial del presente contenido. En particular, esta prohibición se aplica a las marcas comerciales, las denominaciones de los modelos, los números de referencia y los gráficos. Utilice sólo piezas autorizadas. Los daños o averías causados por el uso de piezas no homologadas no serán cubiertos por la Garantía o la Responsabilidad civil del producto.

Dados técnicos

Dados da Ferramenta

	Velocidade livre (rpm)	Peso (kg)	Peso (libras)
CP2810	2400	0.8	1.8
CP2811	750	0.9	2.0
CP2812	950	1.1	2.4
CP2814	1100	0.8	1.8

Tabela 3: Parafusadeira Tipo Pistola

i A pressão máxima de trabalho em velocidade livre é de 6,3 bares/90 psig.

	Velocidade livre (rpm)	Peso (kg)	Peso (libras)
CP2822	1300	0.9	2.0
CP2824	1500	0.9	2.0

Tabela 4: Parafusadeira Reta

i A pressão máxima de trabalho em velocidade livre é de 6,3 bares/90 psig.

Acessórios Adicionais

Para os modelos abaixo, de ser usada uma empunhadura lateral, caso o torque exceda **10 Nm** para uma parafusadeira tipo pistola e **4 Nm** para .uma parafusadeira reta.

Modelo	Número de Peça da Empunhadura Lateral
CP2810	6151820079
CP2811	6151820079

Modelo	Número de Peça da Empunhadura Lateral
CP2812	6151820078
CP2822	6151820078

Declarações

Declaração de Conformidade da União Europeia

Nós da **CHICAGO PNEUMATIC Tool Co.LLC**, 1815 Clubhouse Road, Rock Hill, SC 29730 - USA declaramos, sob nossa exclusiva responsabilidade, que este produto (com nome, tipo e número de série; ver primeira página) está em conformidade com a(s) seguinte(s) Diretiva(s):

2006/42/EC

Normas harmonizadas aplicadas:
EN 11148-6:2012

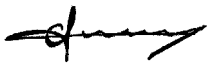
As autoridades podem solicitar informações técnicas pertinentes de:

Pascal Roussy, R&D Manager, Ets Georges Renault, 38 rue Bobby Sands, BP10273 44818 Saint Herblain, France

Saint-Herblain, 2022/05/25

Pascal ROUSSY

Assinatura do emissor



Declaração sobre Ruído & Vibração

Nível de Ruído - ISO 15744

Modelo	LpA dB(A)	LWA dB(A)
CP2810	83	94
CP2811	83	94
CP2812	82	93
CP2814	76	87
CP2822	83	94
CP2824	73	-

LpA dB(A): nível de pressão sonora

LWA dB(A): nível de potência sonora

K / KpA = KWA = 3 dB: incerteza

Nível de Vibração -ISO 28927-2

	ahd (m/s ²)	K (m/s ²)
Todos os Modelos	<2.5	-

ahd, ah: níveis de vibração

Estes valores declarados foram obtidos através de testes efetuados em laboratório, de acordo com os padrões indicados e adequam-se à comparação com valores declarados resultantes de outras ferramentas testadas de acordo com os mesmos padrões. Estes valores declarados não se adequam para utilização em avaliações de risco, sendo que os valores medidos em locais de trabalho possam ser superiores. A valores actuais de exposição e o risco de danos que podem ocorrer num utilizador individual são únicos e dependem da forma como o utilizador trabalha, da peça de trabalho e do design do local de trabalho, assim como do tempo de exposição e da condição física do utilizador.

Nós, **CHICAGO PNEUMATIC Tool Co.LLC**, não somos responsáveis pelas consequências do uso do valores declarados, ao invés de valores refletindo a exposição real, em uma avaliação de risco individual, em um situação de trabalho sobre a qual não temos controle.

Esta ferramenta pode causar síndrome de vibração na mão e no braço se seu uso não for administrado corretamente. Um guia da UE para gerenciar a vibração da mão e do braço pode ser encontrado acessando-se <http://www.pneurop.eu/index.php> e selecionando-se "Ferramentas" e, em seguida, "Legislação".

Recomendamos um programa de vigilância médica para detectar atempadamente sintomas, que possam estar relacionados com a exposição à vibração, para que os procedimentos de manuseamento possam ser modificados, por forma a ajudar a evitar prejuízos futuros.

- ⓘ Este equipamento é destinado para aplicações fixas. A emissão de ruídos é dado como um guia para a construtor da máquina. Dados sobre emissão de vibração e ruído da máquina completa devem ser indicados no Manual de instruções da máquina.

Informações a respeito do Artigo 33 do REACH

O European Regulation (UE) nº 1907/2006, sobre Registros, Avaliação, Autorização e Restrição de Produtos Químicos (REACH), define, entre outras coisas, os requisitos relacionados à comunicação na cadeia de fornecimento. O requisito das informações aplica-se também a produtos que contêm as chamadas Substâncias de Preocupação muito elevada (a "Lista de Candidatos"). No dia 27 de junho de 2018 foi acrescentado à Lista de Candidatos o metal chumbo (CAS nº 7439-92-1).

Conforme o que foi dito acima, o objetivo do presente documento é informar que determinados componentes mecânicos do produto podem conter o metal chumbo. Isto está em conformidade com a atual legislação de restrição de substâncias e baseia-se em exceções legítimas da Diretiva RoHS (2011/65/EU). Não ocorre vazamento ou mutação do chumbo a partir do produto durante uso normal e a concentração do metal chumbo no produto completo fica bem abaixo do limite aplicável. Também deve-se levar em conta os requisitos locais relacionados ao descarte de chumbo no final da vida útil do produto.

Requisitos regionais

⚠ AVISO

Este produto pode expor você a produtos químicos, entre eles o chumbo, conhecido no estado da Califórnia por causar câncer e defeitos em recém-nascidos, além de outros danos à reprodução. Para mais informações, visite <https://www.p65warnings.ca.gov/>

Segurança

NÃO DESCARTE - ENTREGUE AO USUÁRIO

⚠ AVISO Leia todos os avisos de segurança, instruções, ilustrações e especificações fornecidas com o produto.

O não cumprimento de todas as instruções apresentadas abaixo poderá resultar em choque elétrico, incêndio, danos à propriedade e/ou lesões graves.

Guarde todos os alertas e instruções para referência futura.

⚠ AVISO Todas as normas de segurança localmente legisladas relativas a instalação, operação e manutenção devem ser sempre respeitadas.

Declaração de Uso

- Apenas para uso profissional.
- Este produto e seus acessórios não devem ser modificados em qualquer circunstância.
- Não utilize o produto se estiver danificado.
- Se os dados do produto ou as sinalizações de perigo na ferramenta deixarem de ser legíveis ou se soltarem, substitua o produto sem demora.
- Somente uma pessoa qualificada em ambiente de montagem industrial pode instalar, operar ou dar manutenção de rotina no produto.

Finalidade

Este produto foi projetado para instalar e remover fixadores de rosca em madeira, metal ou plástico. Apenas para uso interno.

Não é permitido nenhum outro tipo de uso.

O uso de peças de reposição ou acessórios diferentes dos fornecidos originalmente pelo fabricante pode resultar na queda de desempenho e no aumento de manutenção, nível de ruído ou de vibração, o que pode acarretar o cancelamento total da garantia do fabricante.

Instruções específicas do produto

Descrição do produto

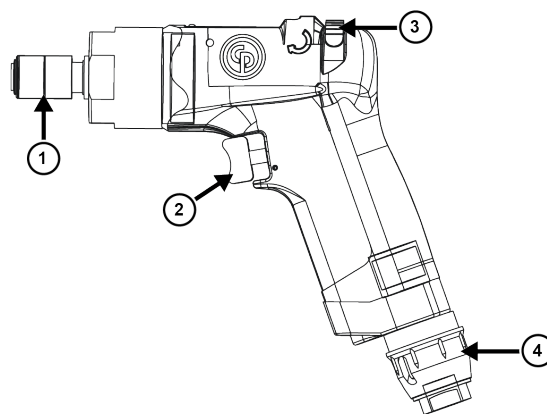


Ilustração 12: CP2810 / CP2811 / CP2812

Item	Descrição
1	Mandril de Troca Rápida
2	Gatilho
3	Botão de Inversão de Rotação
4	Descarga de Ar Ajustável

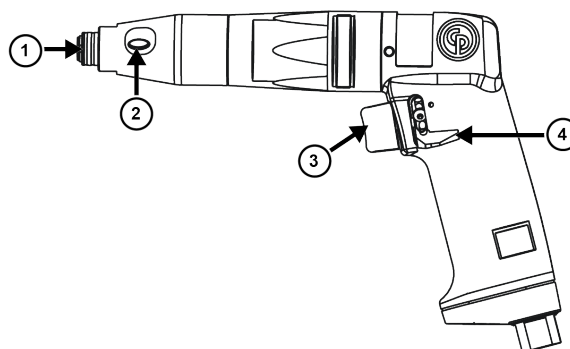


Ilustração 13: CP2814

Item	Descrição
1	Mandril de Troca Rápida
2	Acesso do Ajuste de Torque
3	Gatilho
4	Botão de Inversão de Rotação

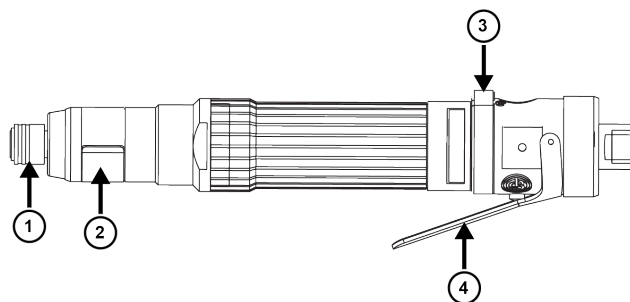


Ilustração 14: CP2822/CP2824

Item	Descrição
1	Mandril de Troca Rápida
2	Acesso do Ajuste de Torque
3	Botão de Inversão de Rotação
4	Gatilho

Instalando a Ferramenta

1. Fixe os acessórios corretamente à ferramenta.
2. Conecte as ferramentas conforme mostrado na seção Air diagram [página 4].

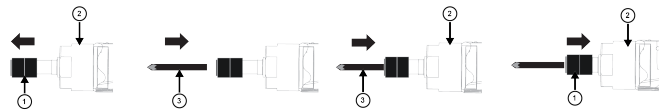
Dando Partida à Ferramenta

⚠ AVISO Perigos na Operação

Antes de dar partida à ferramenta, confirme se a ferramenta está adequadamente conectada ao suprimento de ar comprimido.

- Confira a conexão de ar comprimido.
- Consulte o diagrama de ar comprimido.

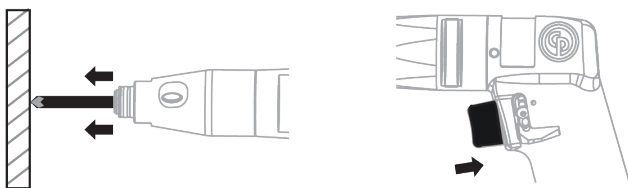
Instalando o Bit



1. Puxe o mandril de troca rápida (1) da ferramenta (2).
2. Posicione o bit (3).
3. Insira o bit (3) na ferramenta (2).
4. Empurre o mandril de troca rápida (1) na ferramenta (2).
5. O mandril de troca rápida (1) deve ser instalado adequadamente.

Apertando o Gatilho

Para CP2810/CP2811/CP2812/CP2814



Para operar a ferramenta Push-to-Start (Pressionar-para-iniciar).

1. Aplique pressão no bit contra o objeto enquanto a ferramenta estiver em operação.
2. Aperte o gatilho da ferramenta.

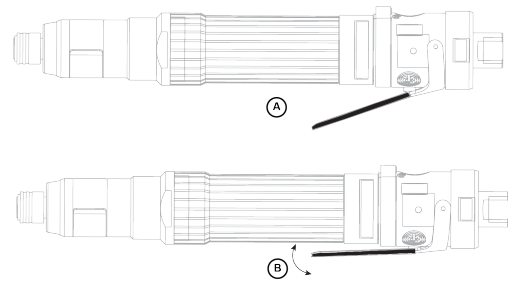
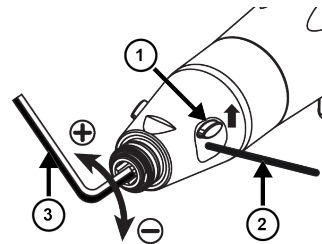


Ilustração 15: CP2822/CP2824

A	Gatilho Desativado
B	Gatilho Ativado

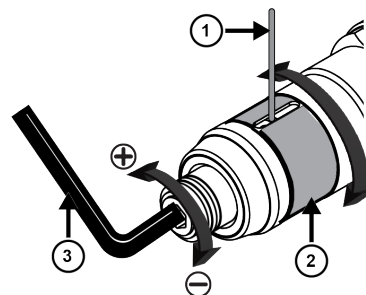
Ajustando o Torque

Para CP2812/CP2814



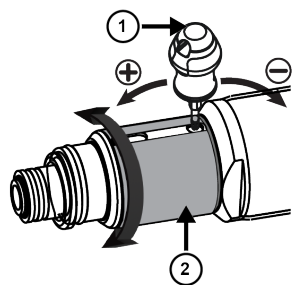
1. Deslize para cima a tampa de acesso do ajuste de torque (1).
2. Insira uma haste (2).
3. Insira uma chave Allen (3) de 6,35 mm para ajustar o torque.
4. Deslize para baixo a tampa de acesso do ajuste de torque (1).

Para CP2822



1. Gire a tampa de acesso do ajuste de torque (2) até a ranhura de acesso.
2. Insira uma haste (1).
3. Insira uma chave Allen (3) de 6,35 mm para ajustar o torque.
4. Gire a tampa de acesso do ajuste de torque (2) até sua posição original.

Para CP2824



1. Gire a tampa de acesso do ajuste de torque (2) até a ranhura de acesso.
2. Insira a chave de fenda de ajuste da embreagem (1) para justar o torque.
3. Gire a tampa de acesso do ajuste de torque (2) até sua posição original.

Instruções gerais de segurança

Perigos de conexão e fornecimento de ar

- Ar pressurizado pode causar lesões graves.
- Feche sempre o fornecimento de ar, alivie a pressão da mangueira e desconecte a ferramenta da tomada de ar quando não estiver em uso, antes de alterar os acessórios ou fazer reparos.
- Nunca dirija o ar para si mesmo ou outra pessoa.
- Mangueiras chicoteando podem causar lesões graves. Verifique sempre se existem mangueiras e conexões danificadas ou soltas.
- Não use conexões de desengate rápido na ferramenta. Consulte a configuração correta nas instruções.
- Sempre que usar acoplamentos de giro universal, instale contrapinos.
- Não exceda a pressão do ar máxima de 6,3 bar / 90 psi, ou como definido na placa de identificação da ferramenta.

Riscos de emaranhar-se

- Mantenha-se afastado da propulsão rotativa. Sufocamento, escaldamento e/ou laceração podem ocorrer se roupas soltas, luvas, joias, colares ou cabelo não forem mantidos longe de ferramentas e acessórios.
- As luvas podem se emaranhar com o mecanismo de direção rotativo, podendo ferir ou quebrar os dedos.
- Soquetes do mecanismo de propulsão rotativo e a extensão da propulsão podem facilmente emaranhar luvas revestidas de borracha ou reforçadas com metal.
- Não use luvas de montagem frouxas ou luvas com cortes ou com os dedos gastos.
- Nunca segure a direção, soquete ou extensão da direção.

Perigo de projéteis

- Sempre use proteção resistente a impacto para os olhos e o rosto quando trabalhar com ou perto da ferramenta em operação, reparo ou manutenção ou durante uma troca de acessórios.

- Certifique-se de que todas as outras pessoas no local estejam usando proteção resistente a impactos para os olhos e o rosto. Mesmo pequenos projéteis podem atingir os olhos e causar cegueira.
- Ferimentos sérios podem resultar de um dispositivo de fixação com torque excessivo ou abaixo do necessário, que pode se quebrar ou afrouxar e se desprender. Conjuntos soltos podem se tornar fragmentos e serem projetados. Use um torquímetro para conferir as montagens que exijam torque específico.

OBSERVAÇÃO As chamadas chaves de torque do tipo “click” não verificam condições de torque excessivo potencialmente perigosas.

- Não utilize encaixes de mão. Use apenas soquetes de força ou impacto em boas condições.
- Garanta que a peça a ser trabalhada esteja fixada de forma segura.

Perigos de operação

- Desligue o abastecimento de ar antes de manusear a ponta da chave de fenda ou o soquete, ajustar o mandril ou desmontar a ferramenta.
- Os utilizadores e técnicos de manutenção devem ser fisicamente capazes de lidar com o volume, peso e potência da ferramenta.
- Segure a ferramenta corretamente: esteja pronto para reagir a movimentos súbitos ou mesmo aos normais – tenha as duas mãos disponíveis.
- Imediatamente após o ajuste do mecanismo de controlo de potência, verifique se o funcionamento é correcto.
- Não use com pressão de ar reduzida ou em condição de desgaste: a embreagem poderá não funcionar, resultando em rotação súbita do cabo da ferramenta.
- Segure sempre o punho da ferramenta com firmeza, na direcção oposta à da rotação do eixo, de forma a poder controlar a força de torção súbita durante o aperto final e o desaperto inicial.
- Se possível, utilize um braço de suspensão para absorver o torque de reação. Se não for possível, são recomendados punhos laterais para ferramentas de base reta e do tipo pistola; barras de reação para apertadeiras angulares. Qualquer que seja o caso, recomenda-se usar meios para absorver o torque de reação superior a 4 Nm (3 lbf.ft) para ferramentas de base reta, superior a 10 Nm (7,5 lbf.ft) para ferramentas tipo pistola e superior a 60 Nm (44 lbf.ft) para apertadeiras angulares.
- Os dedos podem ser esmagados pelas pinças que agarram as porcas.
- Não use em espaços confinados: tome cuidado para não esmagar as mãos entre a ferramenta e a peça trabalhada, especialmente quando desparafusando.

Perigos do movimento repetitivo

- Quando usar uma ferramenta elétrica para executar atividades relacionadas ao trabalho, o operador pode sentir desconforto nas mãos, braços, ombros, pescoço ou outras partes do corpo.

- Adote uma postura confortável enquanto mantém uma posição equilibrada sobre os pés, evitando posturas inadequadas ou sem equilíbrio. Mudar a postura durante tarefas prolongadas pode ajudar a evitar desconforto e fadiga.
- Não ignore os sintomas, como desconforto periódico e persistente, dor, palpitações, sensibilidade, formigamento, dormência, sensação de queimação ou rigidez. Pare de usar a ferramenta, informe seu empregador e consulte um médico.

Riscos de vibrações e ruído

- Níveis sonoros muito altos podem causar perda auditiva permanente e outros problemas, como zumbido. Use a proteção auditiva recomendada pelo empregador e de acordo com os regulamentos de saúde e segurança do trabalho.
- A exposição a vibrações pode danificar e incapacitar os nervos e o suprimento de sangue para as mãos e braços. Use roupas quentes e mantenha as mãos aquecidas e secas. Se perceber dormência, formigamento, dor ou lividez da pele, pare de usar a ferramenta, informe seu empregador e consulte um médico.
- Segure a ferramenta de modo leve, porém firme, devido ao risco de vibrações ser geralmente maior quando a força da pegada é maior. Onde for possível, utilize um braço de suspensão ou encaixe uma alça lateral.
- Para evitar aumentos desnecessários de níveis de vibração e ruído:
- Opere e faça manutenção da ferramenta, e selecione, faça manutenção e substitua os acessórios e consumíveis de acordo com este manual de instruções;
- Não use pontas de chave de fenda, soquetes ou extensões inadequadas ou gastas.

Perigos no local de trabalho

- Escorregões, tropeções e quedas são as principais causas de lesões graves ou morte. Não deixe excesso de mangueira nas vias de acesso ou no local de trabalho.
- Evite inalar poeira ou fumaça, ou manusear detritos do processo de trabalho que podem causar problemas de saúde (por exemplo, câncer, defeitos de nascença, asma e/ou dermatite). Use equipamento extrator de poeira e equipamento de proteção respiratória quando trabalhar com materiais que produzam partículas em suspensão no ar.
- Certas poeiras criadas pelo jateamento, serração, esmerilhamento, perfuração e outras atividades mecanizadas de construção podem conter componentes químicos que o Estado da Califórnia reconhece como causadores de câncer, defeitos de nascença e outros prejuízos ao sistema reprodutor humano. Alguns exemplos desses componentes químicos são:
 - Chumbo de tinta à base de chumbo
 - Tijolos de sílica cristalina, cimento e outros produtos de alvenaria
 - Arsênico e cromo da borracha tratada quimicamente.

Seu risco a essas exposições varia, dependendo da frequência que você realiza esse tipo de trabalho. Para reduzir sua exposição a esses componentes químicos: tra-

balhe em área bem ventilada e use equipamentos de proteção apropriados, como máscaras contra poeira que sejam especificamente indicadas para partículas microscópicas.

- Proceda com cuidado em ambientes desconhecidos. Esteja ciente dos perigos potenciais criados pela sua atividade de trabalho. Esta ferramenta não é protegida contra o contato com fontes de eletricidade.
- Não se recomenda o uso desta ferramenta em atmosferas potencialmente explosivas.

ⓘ Outras informações de segurança sobre ferramentas pneumáticas portáteis:

- CAGI 2528 - B186.1, SAFETY CODE FOR PORTABLE AIR TOOLS, disponível na Global Engineering Documents no site <https://global.ihs.com/> ou ligue para +1 800 447-2273. No caso de dificuldade na obtenção de normas ANSI, entre em contato com o instituto ANSI pelo site <https://www.ansi.org/>

Informações úteis

Folha de Dados de Segurança

As Fichas de Informação de Segurança de Produto Químico descrevem os produtos químicos produzidos pela Chicago Pneumatic.

Consulte o site da Chicago Pneumatic para obter mais informações qr.cp.com/sds.

País de origem

Hungary

Website

Informações referentes a nossos Produtos, Acessórios, Peças de Reposição e Materiais Publicados podem ser encontrados no site da Chicago Pneumatic .

Visite: www.cp.com.

Copyright

© Copyright 2022, CHICAGO PNEUMATIC Tool Co.LLC, 1815 Clubhouse Road, Rock Hill, SC 29730 - USA

Todos os direitos reservados. É proibido o uso ou cópia do conteúdo ou parte dele sem autorização. Isso se aplica em particular a marcas registradas, denominações de modelo, números de peça e desenhos. Use somente peças autorizadas. Qualquer dano ou defeito causado pelo uso de peças não autorizadas não é coberto pela Garantia ou pela Responsabilidade pelo Produto.

Dati tecnici

Dati dell'utensile

Velocità a vuoto (giri/min)	Peso (kg)	Peso (lb)

CP2810	2400	0.8	1.8
CP2811	750	0.9	2.0
CP2812	950	1.1	2.4
CP2814	1100	0.8	1.8

Tabella 3: Avvitatore a pistola

❶ La pressione massima di lavoro a velocità libera è di 6,3 bar / 90 psig.

	Velocità a vuoto (giri/min)	Peso (kg)	Peso (lb)
CP2822	1300	0.9	2.0
CP2824	1500	0.9	2.0

Tabella 4: Avvitatore diretto

❶ La pressione massima di lavoro a velocità libera è di 6,3 bar / 90 psig.

Accessori aggiuntivi

Per i modelli seguenti, utilizzare un'impugnatura laterale se la coppia supera i **10 Nm** per l'avvitatore a pistola e i **4 Nm** per quello diretto.

Modello	Numero di parte della maniglia laterale
CP2810	6151820079
CP2811	6151820079

Modello	Numero di parte della maniglia laterale
CP2812	6151820078
CP2822	6151820078

Dichiarazioni

Dichiarazione di conformità UE

CHICAGO PNEUMATIC Tool Co.LLC, 1815 Clubhouse Road, Rock Hill, SC 29730 - USA, dichiara, sotto la propria esclusiva responsabilità, che il prodotto (del tipo e con il numero di serie riportati nella pagina a fronte) è conforme alle seguenti direttive:

2006/42/EC

Norme armonizzate applicate:

EN 11148-6:2012



Le autorità possono richiedere informazioni tecniche pertinenti a:

Pascal Roussy, R&D Manager, Ets Georges Renault, 38 rue Bobby Sands, BP10273 44818 Saint Herblain, France

Saint-Herblain, 2022/05/25

Pascal ROUSSY

Firma del dichiarante

Dichiarazione su vibrazioni e rumorosità

Livello acustico: ISO 15744

Modello	LpA dB(A)	LWA dB(A)
CP2810	83	94
CP2811	83	94
CP2812	82	93
CP2814	76	87
CP2822	83	94
CP2824	73	-

LpA dB(A): livello della pressione acustica

LWA dB(A): livello della potenza acustica

K/KpA = KWA = 3 dB di incertezza

Livello di vibrazioni: ISO 28927-2

	ahd (m/s ²)	K (m/s ²)
Tutti i modelli	<2.5	-

ahd, ah: livelli di vibrazione

I valori qui dichiarati sono stati ottenuti mediante test eseguiti in laboratorio conformemente alla direttiva o agli standard indicati e sono idonei al raffronto con i valori dichiarati di altri utensili testati in conformità alla medesima direttiva o standard. I valori qui dichiarati non sono adeguati a un utilizzo per la valutazione del rischio e i valori misurati nei singoli luoghi di lavoro potrebbero essere più elevati. I valori di esposizione effettivi e il rischio di lesioni per ogni singolo operatore sono unici e dipendono dal modo in cui lavora l'operatore, dal pezzo e dalla struttura della stazione di lavoro, nonché dai tempi di esposizione e dalle condizioni fisiche dell'operatore.

CHICAGO PNEUMATIC Tool Co.LLC non può essere ritenuta responsabile per le conseguenze derivanti dall'utilizzo dei valori dichiarati, invece di valori che riflettono l'esposizione effettiva, in una valutazione del rischio individuale in una situazione lavorativa sulla quale Desoutter non ha alcun controllo.

Se non è gestito correttamente, l'utilizzo del presente utensile può causare la sindrome da vibrazioni mano-braccio. Per consultare una guida UE sulle vibrazioni trasmesse a mani/braccia, accedere al sito <http://www.pneurop.eu/index.php> e selezionare 'Strumenti' quindi 'Normative'.

Si raccomanda l'adozione di un programma di controllo sanitario finalizzato a individuare i primi sintomi di un'eventuale esposizione alle vibrazioni, affinché sia possibile modificare le procedure di gestione e aiutare a prevenire disabilità significative.

- ❗ Se questa apparecchiatura è destinata ad applicazioni di fissaggio:
Le emissioni acustiche sono riportate in qualità di guida per il costruttore. I dati sulle emissioni acustiche e vibrazioni per la macchina completa devono essere riportati nel manuale di istruzioni per la macchina.

Informazioni sull'articolo 33 del REACH

Il Regolamento Europeo (UE) n. 1907/2006 sulla registrazione, valutazione, autorizzazione e restrizione delle sostanze chimiche (REACH) definisce, tra le altre cose, i requisiti relativi alla comunicazione nella catena di approvvigionamento. L'obbligo di informazione vale anche per i prodotti contenenti le cosiddette sostanze estremamente problematiche ("elenco delle sostanze candidate"). Il 27 giugno 2018, il piombo metallico (numero CAS 7439-92-1) è stato aggiunto all'elenco delle sostanze candidate.

In conformità con quanto indicato sopra, determinati componenti meccanici del prodotto potrebbero contenere piombo metallico. Ciò è in conformità con la legislazione vigente in materia di restrizione delle sostanze e in linea con le esenzioni legittime nella direttiva RoHS (2011/65/UE). Il piombo non colerà dal prodotto o si modificherà durante il normale utilizzo. La concentrazione di piombo nel prodotto completo è inferiore al limite di soglia applicabile. Valuta i requisiti locali sullo smaltimento del piombo al termine del ciclo di vita del prodotto.

Requisiti regionali

⚠ ATTENZIONE

Questo prodotto può causare esposizione a sostanze chimiche tra cui il piombo, note allo stato della California come causa di tumori e difetti congeniti o altri problemi riproduttivi. Per maggiori informazioni consultare <https://www.p65warnings.ca.gov/>

Sicurezza

NON SMALTIRE: DA CONSEGNARE ALL'UTENTE

⚠ ATTENZIONE Leggere tutti gli avvisi, le istruzioni di sicurezza, le illustrazioni e le specifiche tecniche di questo utensile.

Il mancato rispetto di tutte le seguenti istruzioni può provocare scosse elettriche, incendi e/o gravi lesioni.

Conservare tutti gli avvisi e le istruzioni per consultarli eventualmente in futuro.

⚠ ATTENZIONE Rispettare sempre le norme ed i regolamenti locali inerenti l'installazione, il funzionamento e la manutenzione.

Dichiarazione sull'utilizzo

- Destinato solo a un utilizzo professionale.
- Questo utensile e i suoi accessori non devono mai essere modificati.
- Non utilizzare questo prodotto se è stato danneggiato.

- Se le targhette indicanti i dati del prodotto o i segnali di pericolo del prodotto diventano illeggibili o si staccano, sostituirli immediatamente.
- Il prodotto deve essere installato, utilizzato e mantenuto solo da personale qualificato e in un ambiente di assemblaggio industriale.

Uso previsto

Questo prodotto è progettato per installare e rimuovere dispositivi di fissaggio in legno, metallo o plastica. Solo per l'uso al chiuso.

Non è consentito nessun altro uso.

L'uso di ricambi non originali e diversi da quelli forniti dal produttore, può influenzare negativamente le prestazioni o causare la necessità di manutenzione extra, incrementi delle vibrazioni, invalidamento della garanzia e delle responsabilità del produttore.

Istruzioni specifiche del prodotto

Descrizione del prodotto

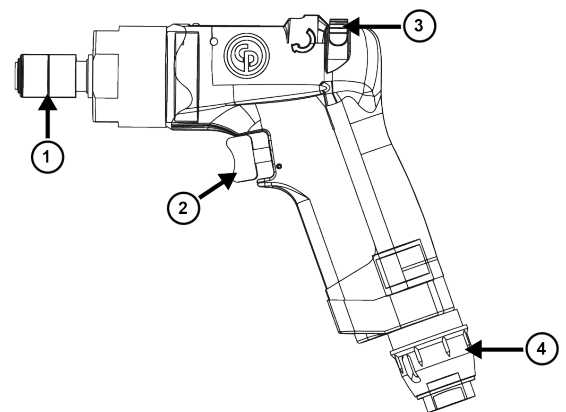


Illustrazione 12: CP2810 / CP2811 / CP2812

Articolo	Descrizione
1	Mandrino a cambio rapido
2	Grilletto
3	Pulsante di inversione della rotazione
4	Scarico pneumatico regolabile

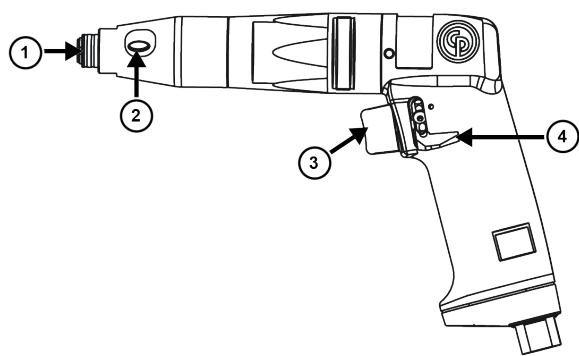
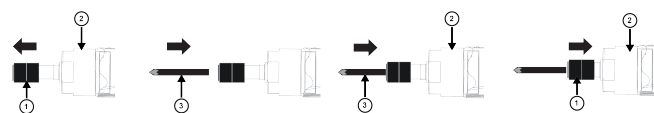


Illustrazione 13: CP2814

Articolo	Descrizione
1	Mandrino a cambio rapido
2	Accesso di regolazione della coppia
3	Grilletto
4	Pulsante di inversione della rotazione

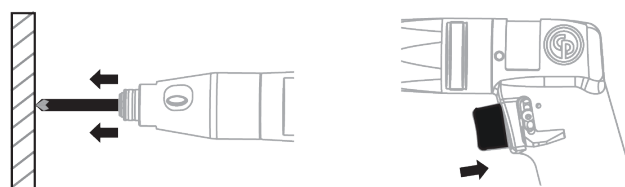
Installazione della punta



1. Estrarre il mandrino a cambio rapido (1) dall'attrezzo (2).
2. Posizionare la punta (3).
3. Inserire la punta (3) nell'utensile (2).
4. Spingere il mandrino a cambio rapido (1) sull'utensile (2).
5. Verificare il mandrino a cambio rapido (1) sia installato correttamente.

Premere il grilletto

Per CP2810 / CP2811 / CP2812 / CP2814



Per far funzionare l'utensile a pressione:

1. applicare pressione sulla punta mentre l'utensile è in funzione contro l'oggetto.
2. Premere il grilletto dello strumento.

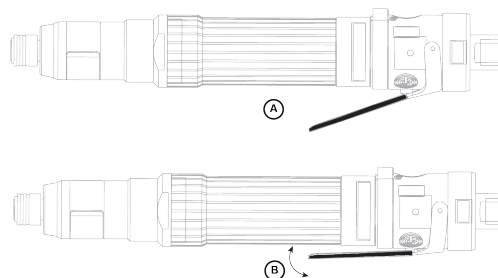


Illustrazione 15: CP2822 / CP2824

A	Grilletto OFF
B	Grilletto ON

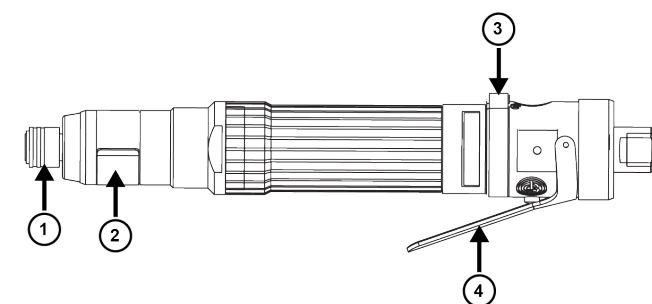


Illustrazione 14: CP2822 / CP2824

Articolo	Descrizione
1	Mandrino a cambio rapido
2	Accesso di regolazione della coppia
3	Pulsante di inversione della rotazione
4	Grilletto

Installazione dell'utensile

1. Fissare gli accessori in maniera adeguata allo strumento.
2. Collegare gli strumenti come indicato nella sezione Air diagram (pagina 4).

Avvio dello strumento

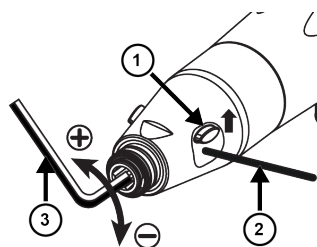
⚠ ATTENZIONE Pericolo relativo al funzionamento

Prima di avviare l'attrezzo, verificare che sia collegato correttamente all'alimentazione pneumatica.

- Controllare la connessione pneumatica.
- Fare riferimento al diagramma pneumatico.

Regolazione della coppia

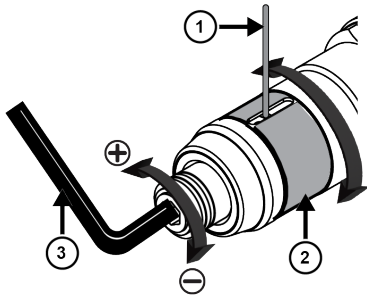
Per CP2812 / CP2814



1. Far scorrere il coperchio di accesso di regolazione della coppia (1) verso l'alto.

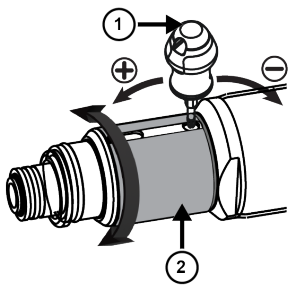
2. Inserire uno stelo (2).
3. Inserire una chiave a brugola (3) di 6,35 mm per regolare la coppia.
4. Far scorrere il coperchio di accesso alla regolazione della coppia (1) verso il basso.

Per CP2822



1. Ruotare il coperchio di accesso alla regolazione della coppia (2) per accedere alla fessura.
2. Inserire uno stelo (1).
3. Inserire una chiave a brugola (3) di 6,35 mm per regolare la coppia.
4. Ruotare il coperchio di accesso alla regolazione della coppia (2) nella posizione originale.

Per CP2824



1. Ruotare il coperchio di accesso alla regolazione della coppia (2) per accedere alla fessura.
2. Inserire il cacciavite di regolazione della frizione (1) per regolare la coppia.
3. Ruotare il coperchio di accesso alla regolazione della coppia (2) nella posizione originale.

Norme di sicurezza generali

Rischi connessi all'alimentazione pneumatica e relativi collegamenti

- L'aria sotto pressione può causare gravi lesioni personali.
- Chiudere sempre l'erogazione dell'aria e scollegare l'utensile dalla rete quando non viene utilizzato, prima di sostituire gli accessori o quando si eseguono riparazioni.
- Non dirigere mai il getto d'aria verso sé stessi o altre persone.
- I colpi di frusta causati dai tubi possono produrre gravi danni. Controllare sempre tubi e raccordi per accertare eventuali perdite o danneggiamenti.

- Non utilizzare attacchi a sgancio rapido sull'utensile. Leggere le istruzioni per il corretto montaggio.
- Ogniqualevolta si utilizzano attacchi universali rotativi, installare spine di blocco.
- Non superare il limite massimo di 6,3 bar (90 psig) di pressione dell'aria o il valore indicato sulla targhetta dell'utensile.

Rischi causati dal rimanere impigliati

- Tenersi lontano dal comando rotante. Se indumenti larghi, guanti, gioielli e collane non sono tenuti a distanza dall'utensile e dagli accessori, si può rischiare il soffocamento e/o lacerazioni, anche al cuoio capelluto se i capelli restano impigliati.
- I guanti possono restare impigliati nel meccanismo di rotazione, causando l'amputazione o la frattura delle dita.
- Le bussole rotanti e le relative prolunghie possono facilmente intrappolare guanti con rivestimento in gomma o guanti rinforzati con metallo.
- Non indossare guanti larghi o guanti tagliati o logori.
- Non afferrare mai il meccanismo di rotazione, la bussola o la prolunga.

Rischi relativi agli oggetti scagliati con forza

- Indossare sempre protezioni antiurto per gli occhi e per il volto quando si lavora con l'utensile o in prossimità di esso per operazioni di manutenzione, funzionamento o riparazione o per la sostituzione di accessori.
- Verificare che le altre persone nella zona stiano indossando protezioni antiurto per occhi e volto. Anche oggetti proiettati di piccole dimensioni possono causare infortuni agli occhi o addirittura cecità.
- I dispositivi di fissaggio a coppia eccessiva o scarsa possono causare gravi lesioni ed essere soggetti a rottura, allentamento o separazione. Le parti staccate possono diventare proiettili. Gli assemblaggi che richiedono una determinata coppia devono essere verificati utilizzando un misuratore di coppia.

NOTA Le cosiddette chiavi torsionometriche a scatto non sono in grado di controllare condizioni di coppia eccessiva potenzialmente pericolose.

- Non utilizzare bussole manuali. Utilizzare esclusivamente bussole elettriche o a impulsi in buone condizioni.
- Verificare che il pezzo sia fissato saldamente.

Rischi connessi all'utilizzo

- Scollegare l'alimentazione dell'aria prima di toccare la punta o la bussola dell'avvitatore, regolare la frizione o smontare l'utensile.
- Gli operatori e gli addetti alla manutenzione devono essere fisicamente in grado di maneggiare la mole, il peso e la potenza erogata dall'utensile.
- Sostenere l'utensile correttamente: è necessaria una presa con entrambe le mani per essere in grado di contrastare i movimenti normali o improvvisi.
- Subito dopo aver regolato la frizione, controllare che funzioni correttamente.

- Non utilizzare con pressione d'aria ridotta o quando l'attrezzo è in condizioni di usura: la frizione potrebbe non funzionare e dare origine a un'improvvisa rotazione dell'impugnatura dell'utensile.
- Sorreggere sempre saldamente l'impugnatura dell'utensile in direzione opposta a quella di rotazione dell'alberino, per ridurre l'effetto di un'improvvisa coppia di reazione durante il serraggio finale e l'allentamento iniziale.
- Se possibile, utilizzare un braccio di sospensione per assorbire la coppia di reazione. In caso contrario, si raccomanda l'utilizzo di impugnature laterali per gli utensili diritti o a pistola, e di barre di reazione per gli avvitadadi ad angolo. In tutti i casi, si raccomanda l'impiego di un mezzo di assorbimento della coppia di reazione superiore a 4 Nm (3 lbf.ft) per gli utensili diritti, superiore a 10 Nm (7,5 lbf.ft) per gli utensili a pistola, e superiore a 60 Nm (44 lbf.ft) per gli avvitadadi ad angolo.
- Gli utensili ad esagono aperto possono ledere le dita.
- Non utilizzare in spazi ristretti. Attenzione alle mani: non schiacciarle tra il pezzo e l'utensile, specialmente quando si svita.

Rischi connessi ai movimenti ripetitivi

- Durante l'utilizzo di utensili elettrici per l'esecuzione di attività lavorative, l'operatore può provare dolore localizzato alle mani, agli arti superiori, alle spalle, collo o in altre parti del corpo.
- Adottare una postura comoda mantenendo un appoggio sicuro sui piedi ed evitando le posizioni scomode o sbilanciate. Durante le lavorazioni prolungate, può essere utile cambiare posizione per evitare disagio e fatica.
- Non ignorare sintomi persistenti e ricorrenti quali disagio, dolore, fitte, indolenzimento muscolare, formicolio, intorpidimento, bruciore o rigidità. Interrompere l'utilizzo dell'utensile, informare il datore di lavoro e rivolgersi a un medico.

Rischi relativi alle emissioni acustiche e vibratorie

- Eccessivi livelli acustici possono causare perdite di udito permanenti e problemi come il tinnito auricolare. Utilizzare le protezioni acustiche consigliate dal datore di lavoro o imposte dalle norme relative alla salute e sicurezza sul lavoro.
- L'esposizione alle vibrazioni può danneggiare i nervi e ostacolare la circolazione sanguigna alle mani ed alle braccia. Indossare indumenti caldi e tenere le mani al riparo dal freddo e dall'umidità. In caso di intorpidimento, formicolio, dolore e sbianchimento della pelle, sospendere l'utilizzo dell'utensile, informare il datore di lavoro e consultare un medico.
- Mantenere una presa leggera ma sicura dell'utensile, perché il rischio derivante dalle vibrazioni generalmente aumenta quando la forza di presa è maggiore. Se possibile, utilizzare un braccio di sospensione o montare un'impugnatura laterale.
- Per impedire inutili aumenti dei livelli delle emissioni acustiche e vibratorie:

- L'uso e la manutenzione dell'utensile, nonché la scelta, manutenzione e sostituzione degli accessori e degli elementi di consumo, devono essere conformi a quanto indicato nel presente manuale di istruzioni;
- Non utilizzare punte di avvitatori, bussole o prolunghe usurati o inadeguati.

Rischi relativi al luogo di lavoro

- Scivolamenti, inciampi e cadute sono un'importante causa di infortuni gravi o mortali. Prestare attenzione alla presenza di tratti di tubo flessibile sulla superficie di calpestio o di lavoro.
- Evitare l'inalazione di polveri o fumi o il trattamento di residui dei processi di lavorazione che possono causare malattie (per esempio, cancro, malformazioni fetali, asma e/o dermatite). Utilizzare l'estrazione di polvere e indossare attrezzature protettive per la respirazione durante il lavoro con materiali che producono particelle sospese nell'aria.
- La polvere prodotta da sabbatura elettrica, utilizzo della sega, smerigliatura, perforazione e altre attività edili contiene sostanze chimiche che lo Stato della California ritiene provochino cancro, malformazioni del feto e disturbi dell'apparato riproduttivo. Si riportano di seguito alcuni esempi di tali sostanze chimiche:
 - piombo contenuto nelle vernici mattoni,
 - mattoni, cemento e altri materiali edili in silice cristallina
 - arsenico e cromo provenienti da gomma trattata chimicamente

I rischi derivanti dall'esposizione a tali materiali variano in base alla frequenza di svolgimento dell'attività. Per ridurre l'esposizione a tali sostanze chimiche: lavorare in aree ben ventilate e utilizzare dispositivi di sicurezza approvati, come le maschere antipolvere progettate appositamente per filtrare le particelle microscopiche.

- Prestare attenzione in ambienti non conosciuti. È necessario essere consapevoli dei rischi potenziali causati dal proprio lavoro. L'utensile non è isolato dal rischio di contatto con fonti di energia elettrica.
- Questo utensile non è progettato per essere utilizzato in ambienti con pericolo di esplosioni.

i Ulteriori informazioni sulla sicurezza relative agli utensili pneumatici portatili:

- CAGI 2528, B186.1, CODICE DI SICUREZZA PER GLI UTENSILI PORTATILI PNEUMATICI, disponibile presso Global Engineering Documents all'indirizzo <https://global.ihs.com/> o chiamando il numero +1 800 447-2273. In caso di difficoltà nel reperimento delle norme ANSI, rivolgersi direttamente all'associazione visitando il sito <https://www.ansi.org/>

Informazioni utili

Scheda di sicurezza

Le schede di sicurezza descrivono i prodotti chimici venduti da Chicago Pneumatic.

Consultare il sito Web di Chicago Pneumatic (qr.cp.com/sds) per ulteriori informazioni.

Paese di origine

Hungary

Sito web

Il sito web Chicago Pneumatic offre informazioni su prodotti, accessori, parti di ricambio e pubblicazioni.

Visita: www.cp.com.

Copyright

© Copyright 2022, CHICAGO PNEUMATIC Tool Co.LLC, 1815 Clubhouse Road, Rock Hill, SC 29730 - USA

Tutti i diritti riservati. Qualsiasi utilizzo o copia non autorizzati dei contenuti o di parte di questi è vietato. Ciò vale in particolare per marchi registrati, denominazioni dei modelli, numeri di componente e diagrammi. Utilizzare solo componenti autorizzati. Un eventuale danneggiamento o difetto di funzionamento causato dall'utilizzo di componenti non autorizzati non è coperto dalla garanzia o dalla responsabilità per danni dovuti a prodotti difettosi.

Technische gegevens

Gereedschapsgegevens

	Stationair to- erental (r/min)	Gewicht (kg)	Gewicht (lb)
CP2810	2400	0.8	1.8
CP2811	750	0.9	2.0
CP2812	950	1.1	2.4
CP2814	1100	0.8	1.8

Tabel 3: Pistoolschroevendraaier

- i** De maximale werkdruk bij stationaire snelheid is 6,3 bar / 90 psig

	Stationair to- erental (r/min)	Gewicht (kg)	Gewicht (lb)
CP2822	1300	0.9	2.0
CP2824	1500	0.9	2.0

Tabel 4: Rechte schroevendraaier

- i** De maximale werkdruk bij stationaire snelheid is 6,3 bar / 90 psig

Aanvullende accessoires

Voor onderstaande modellen moet een zijhandgreep worden gebruikt als het koppel groter is dan **10 Nm** voor een pistoolschroevendraaier en **4 Nm** voor een rechte schroevendraaier.

Model	Onderdeelnummer zijhand- greep
CP2810	6151820079
CP2811	6151820079

Model	Onderdeelnummer zijhand- greep
CP2812	6151820078
CP2822	6151820078

Verklaringen

EU-conformiteitsverklaring

Wij, CHICAGO PNEUMATIC Tool Co.LLC, 1815 Clubhouse Road, Rock Hill, SC 29730 - USA verklaren dat het product (met naam, type- en serienummer, zie voorpagina) in overeenstemming is met de volgende richtlijn(en):

2006/42/EC

Toegepaste geharmoniseerde normen:
EN 11148-6:2012



Autoriteiten kunnen relevante technische informatie opvragen van:

Pascal Roussy, R&D Manager, Ets Georges Renault, 38 rue Bobby Sands, BP10273 44818 Saint Herblain, France

Saint-Herblain, 2022/05/25

Pascal ROUSSY

Handtekening van de opsteller

Verklaring geluid & trilling

Geluidsniveau - ISO 15744

Model	LpA dB(A)	LWA dB(A)
CP2810	83	94
CP2811	83	94
CP2812	82	93
CP2814	76	87
CP2822	83	94
CP2824	73	-

LpA dB(A): geluidsdruk niveau

LWA dB(A): geluidsvermogensniveau

K / KpA = KWA = 3 dB: onzekerheid

Trillingsniveau - ISO 28927-2

	ahd (m/s ²)	K (m/s ²)
Alle modellen	<2.5	-

ahd, ah: trillingsniveaus

Deze aangegeven waarden zijn verkregen door laboratoriumtests conform de aangegeven normen en zijn geschikt om vergeleken te worden met de aangegeven waarden of andere geteste gereedschappen met dezelfde normen. De aangegeven waarden zijn niet geschikt voor gebruik voor risicobepalingen en de waarden gemeten op de afzonderlijke werkplekken kunnen hoger zijn. De werkelijke blootstellingswaarden en het risico op letsel verschillen per gebruiker en zijn afhankelijk van de manier waarop de gebruiker werkt, het werkstuk en het ontwerp van het werkstation, alsmede de blootstellingstijd en de fysieke conditie van de gebruiker.

Wij, CHICAGO PNEUMATIC Tool Co.LLC, zijn niet aansprakelijk voor de gevolgen van het gebruik van de weergegeven waarden, in plaats van de waarden die passen bij de werkelijke blootstelling, zoals bepaald via een afzonderlijke risicobeoordeling en in een werksituatie waarover wij geen controle hebben

Indien dit gereedschap niet naar behoren wordt gebruikt, kan dit het hand-arm vibratiesyndroom veroorzaken. Een EU-richtlijn voor hand-armtrillingen vindt u op <http://www.pneurop.eu/index.php>. Selecteer 'Gereedschappen' en daarna 'Wetgeving'.

Wij adviseren een gezondheidscontrole op te zetten om al in een vroegstadium symptomen te kunnen waarnemen die gerelateerd zouden kunnen zijn aan blootstellingen aan trillingen, zodat managementprocedures aangepast kunnen worden om toekomstig letsel te voorkomen.

- i** Als deze apparatuur is bedoeld voor vaste toepassingen: De geluidsuitstoot wordt als richtlijn voor de machinebouwer verstrekt. Gegevens m.b.t. geluids- en trillingsuitstoot voor de gehele machine staan in het instructiehandboek voor de machine.

Informatie betreffende artikel 33 van REACH

De Europese Verordening (EU) nr. 1907/2006 inzake de registratie en beoordeling van en de autorisatie en beperkingen ten aanzien van chemische stoffen (REACH) stelt onder andere eisen met betrekking tot de communicatie in de toeleveringsketen. De informatievereiste geldt ook voor producten die zogenaamde zeer risicovolle stoffen bevatten (de 'kandidaatslijst'). Op 27 juni 2018 werd loodmetaal (CAS-nr. 7439-92-1) toegevoegd aan de kandidaatslijst.

In overeenstemming met het bovenstaande, is deze mededeling bedoeld om u te informeren dat bepaalde mechanische componenten in het product loodmetaal kunnen bevatten. Dit is in overeenstemming met de huidige wetgeving inzake de beperking van stoffen en gebaseerd op rechtmatige uitzonderingen in de RoHS-Richtlijn (2011/65/EU). Loodmetaal lekt niet uit het product en muteert niet bij normaal gebruik en de concentratie van loodmetaal in het volledige product is

ver onder de geldende drempel. Volg de lokale voorschriften bij het verwijderen van lood aan het einde van de levensduur van het product.

Regionale vereisten

⚠ WAARSCHUWING

Dit product kan u blootstellen aan chemicaliën, waaronder lood. Dit is een stof waarvan de Californische overheid weet dat deze kanker, aangeboren afwijkingen en vruchtbaarheidsproblemen veroorzaakt. Ga voor meer informatie naar

<https://www.p65warnings.ca.gov/>

Veiligheid

NIET WEGGOOIEN - AAN DE GEBRUIKER GEVEN

⚠ WAARSCHUWING Lees alle bij dit product geleverde veiligheidswaarschuwingen, instructies, illustraties en specificaties.

Indien u niet alle instructies hieronder opvolgt, kan dit leiden tot een elektrische schok, brand, schade aan eigendommen en/of ernstig lichamelijk letsel.

Bewaar alle waarschuwingen en instructies, zodat u ze op en later tijdstip kunt raadplegen.

⚠ WAARSCHUWING Alle plaatselijke wettige veiligheidsregels betreffende installatie, bediening en onderhoud moeten altijd in acht worden genomen.

Gebruiksverklaring

- Uitsluitend voor professioneel gebruik.
- Dit product en de accessoires mogen niet gemodificeerd worden.
- Gebruik dit product niet indien het beschadigd is.
- Indien de productgegevens of de gevarenwaarschuwingen op het product onleesbaar zijn of losraken, vervang ze dan onmiddellijk.
- Het product mag uitsluitend worden geïnstalleerd, gebruikt en onderhouden door bevoegde personeel in een industriële assemblage-omgeving.

Beoogd gebruik

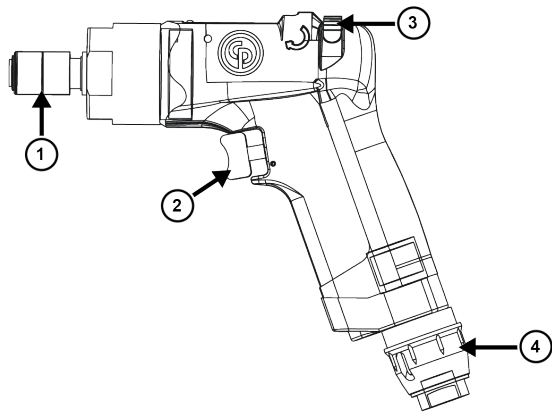
Dit product is ontwikkeld om bevestigingsmiddelen met schroefdraad in/uit hout, metaal en kunststof te installeren/verwijderen Alleen voor gebruik binnen.

Ander gebruik is niet toegestaan.

Het gebruik van andere onderdelen of accessoires dan die welke oorspronkelijk door de fabrikant zijn geleverd, kan leiden tot een daling van de prestaties en tot een toename van onderhoud, het geluidsniveau of trillingen en bijgevolg tot het volledig vervallen van de aansprakelijkheid van de fabrikant.

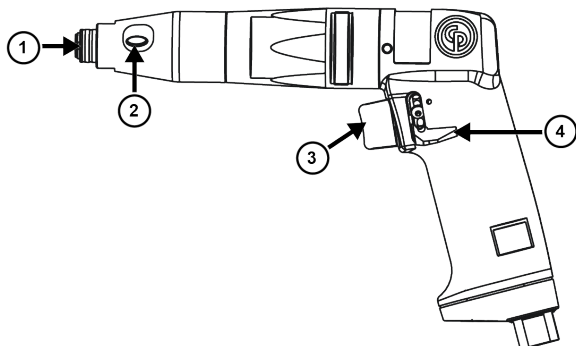
Productspecifieke instructies

Productbeschrijving



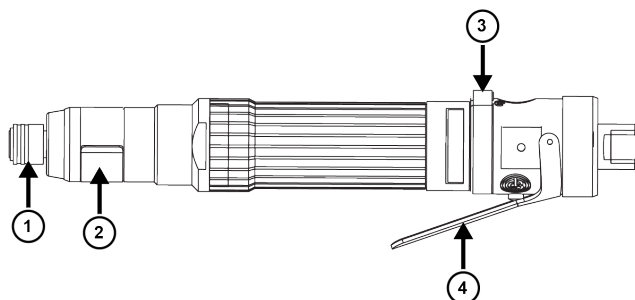
Illustratie 12: CP2810 / CP2811 / CP2812

Onderdeel	Beschrijving
1	Snelwisselingsboorkop
2	Trekker
3	Omkeerknop
4	Verstelbare luchtuitlaat



Illustratie 13: CP2814

Onderdeel	Beschrijving
1	Snelwisselingsboorkop
2	Toegang voor koppelaanpassing
3	Trekker
4	Omkeerknop



Illustratie 14: CP2822 / CP2824

Onderdeel	Beschrijving
1	Snelwisselingsboorkop
2	Toegang voor koppelaanpassing
3	Omkeerknop
4	Trekker

Het gereedschap installeren

1. Bevestig de accessoires op juiste wijze aan het gereedschap.
2. Sluit de het gereedschap aan zoals afgebeeld in het onderdeel Air diagram [pagina 4].

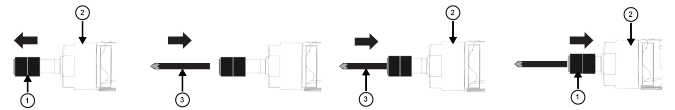
Het gereedschap starten

⚠ WAARSCHUWING Gebruiksgevaar

Controleer voordat het gereedschap wordt gestart dat het juist is aangesloten op de luchttoevoer.

- Controleer de luchtaansluiting.
- Zie het luchtdiagram.

De bit installeren



1. Trek de snelwisselingsboorkop (1) van het gereedschap (2).
2. Positioneer de bit (3).
3. Steek de bit (3) in het gereedschap (2).
4. Duw de snelwisselingsboorkop (1) op het gereedschap (2).
5. Controleer dat de snelwisselingsboorkop (1) juist is geïnstalleerd.

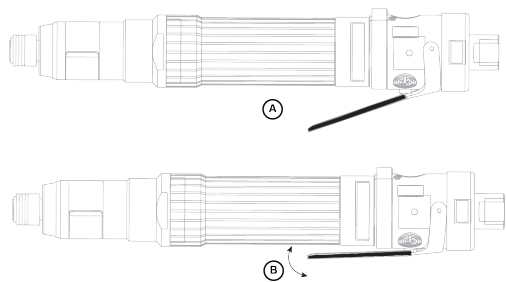
De trekker induwen

Voor CP2810 / CP2811 / CP2812 / CP2814



Gebruik van het druk-om-te-starten gereedschap:

1. Pas druk toe op de bit tegen het object terwijl het gereedschap wordt gebruikt.
2. Duw de trekker van het gereedschap in.

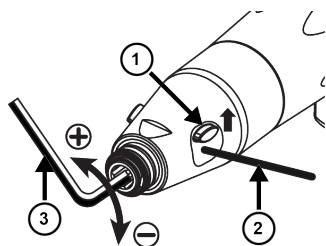


Illustratie 15: CP2822 / CP2824

A	Trekker UIT
B	Trekker IN

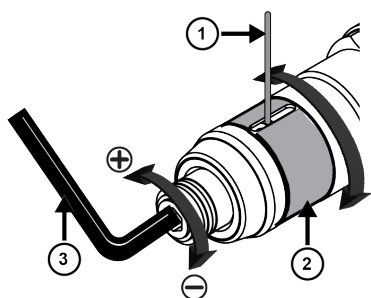
Het koppel aanpassen

Voor CP2812 / CP2814



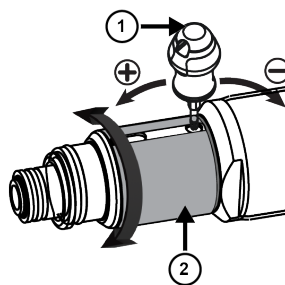
1. Schuif de toegangskap (1) voor de koppelregeling omhoog.
2. Steek een slang erin (2).
3. Steek een inbussleutel (3) van 6,35 mm erin om het koppel aan te passen.
4. Schuif de toegangskap (1) voor de koppelregeling omlaag.

Voor CP2822



1. Draai de toegangskap (2) voor de koppelregeling voor toegang ertoe.
2. Steek een slang erin (1).
3. Steek een inbussleutel (3) van 6,35 mm erin om het koppel aan te passen.
4. Draai de toegangskap (2) voor de koppelregeling naar zijn oorspronkelijke positie.

Voor CP2824



1. Draai de toegangskap (2) voor de koppelregeling voor toegang ertoe.
2. Steek de koppelingsinstellingsschroevendraaier (1) erin om het koppel aan te passen.
3. Draai de toegangskap (2) voor de koppelregeling naar zijn oorspronkelijke positie.

Algemene veiligheidsinstructies

Gevaar m.b.t. luchttoevoer en luchtleidingen

- Perslucht kan ernstig letsel veroorzaken.
- Schakel de luchttoevoer uit, verwijder lucht uit de leidingen en koppel het gereedschap, wanneer u het niet gebruikt, af van de luchttoevoer alvorens accessoires te verwisselen of reparaties uit te voeren.
- Richt de luchtleiding nooit op uzelf of op een ander.
- Wegschiepende slangen kunnen ernstig letsel veroorzaken. Controleer altijd of slangen en hulpstukken onbeschadigd zijn en goed vastzitten.
- Gebruik geen snelkoppelingen bij het gereedschap. Zie de instructies voor de juiste instelling.
- Als er kruiskoppelingen worden gebruikt, moeten er borgpennen worden geïnstalleerd.
- Overschrijd de maximale luchtdruk van 6,3 bar / 90 psi, of de waarde op de naamplaat van het gereedschap niet.

Verstrikkingsgevaar

- Blijf uit de buurt van de draaiende aandrijving. Als u loszittende kleding, handschoenen, sieraden, sjaals en haar niet uit de buurt van het gereedschap en accessoires houdt, kan dit leiden tot verstikking, beschadiging van haar en huid en/of verwondingen.
- Vingers kunnen worden afgerukt of breken indien handschoenen bekneld raken in een roterend aandrijvingsmechanisme.
- Handschoenen met rubberen coating of metalen versteviging kunnen makkelijk bekneld raken tussen roterende krachtdoppen en uitbreidingen.
- Draag nooit loszittende handschoenen met afgeknipte of rafelige vingers.
- Houd de aandrijving, de krachtdop of de uitbreiding nooit in uw handen.

Gevaren in verband met wegschiepende delen

- Draag altijd slagvaste oog- en gezichtsbescherming wanneer u betrokken bent bij gebruik, reparatie of onderhoud van het gereedschap of bij het vervangen van accessoires op het gereedschap.

- Controleer of anderen in de werkrumte slagvaste oog- en gezichtsbescherming dragen. Zelfs kleine wegschietende voorwerpen kunnen oogbeschadiging en blindheid veroorzaken.
- Bevestigingsmiddelen met een te hoog of te laag koppel kunnen breken of losraken. Dit kan leiden tot ernstig lichamelijk letsel. Losgeraakte montages kunnen wegschieten. Controleer montages die een bepaald koppel eisen met een koppelmeter.
LET OP: Zogenaamde 'klik'-momentsleutels controleren niet op potentieel gevaarlijk hoge koppelwaarden.
- Gebruik geen handsleutels. Gebruik uitsluitend elektrische of luchtsleutels die in goede staat verkeren.
- Zorg ervoor dat elk project waaraan u werkt goed is bevestigd.

Operationele risico's

- Koppel de luchttoevoer af alvorens het blad of de dop van de schroevendraaier te hanteren, de koppeling aan te passen of het gereedschap te ontmantelen.
- Gebruikers en onderhoudspersoneel moet lichamelijk in staat zijn om met de omvang, het gewicht en de kracht van dit apparaat om te kunnen gaan.
- Houd het gereedschap op de correcte manier vast: zorg dat u gereed bent om normale of plotselinge bewegingen op te vangen.
- Controleer onmiddellijk na het afstellen van de koppeling of het gereedschap naar behoren werkt.
- Gebruik niet in geval van verminderde luchtdruk of slijtage: indien de koppeling niet werkt, kan de handgreep van het gereedschap plotseling gaan draaien.
- Houd het handvat van het gereedschap altijd goed vast, in tegengestelde richting van de spildraairichting, om het effect van een plotselinge aanhaalkoppelbeweging tijdens de laatste aanhaalbeweging of de eerste losdraai-beweging te verminderen.
- Gebruik indien mogelijk een hanger om een reactiekoppel te absorberen. Als dit niet mogelijk is, wordt het gebruik van handgrepen aan de zijkant aanbevolen voor gereedschap met rechte- en pistoolhandgrepen; reacties-tangen zijn aanbevolen voor gebogen moeraanzetters. Het is in elk geval aanbevolen een koppelreactie boven 4 Nm te absorberen voor rechte gereedschappen, boven 10 Nm voor gereedschappen met pistoolhandgreep en boven 60 Nm voor gebogen moeraanzetters.
- Vingers kunnen bekneld raken in open moeraanzetters.
- Niet gebruiken in afgesloten ruimtes: Zorg dat uw handen niet bekneld raken tussen het gereedschap en het project waaraan u werkt, vooral bij het losdraaien van schroeven.

Gevaar: repeterende beweging

- Tijdens het gebruik van elektrisch gereedschap, ervaart de bediener mogelijk een onprettig gevoel in de handen, armen, schouders, nek of andere lichaamsdelen.

- Neem een prettige houding aan en zorg dat u in balans bent. Neem geen slechte houding aan en zorg dat u niet uit balans raakt. Voorkom een onprettig gevoel en vermoeidheid door regelmatig van houding te veranderen gedurende langdurige taken.
- Negeer nooit de volgende symptomen: aanhoudend of terugkerend ongemak, pijn, kloppende pijn, tintelingen, gevoelloosheid, branderigheid of stijfheid. Staak het gebruik van het gereedschap, stel uw werkgever op de hoogte van uw ervaringen en neem contact op met een arts.

Gevaar: geluid en trillingen

- Harde geluiden kunnen leiden tot permanente gehoorschade en andere problemen, zoals tinnitus. Gebruik oorbeschermers die worden aangeraden door uw werkgever of in de reglementen voor welzijn en veiligheid op de werkvloer.
- Blootstelling aan trillingen kan leiden tot permanente zenuwbeschadiging en een verstoorde bloedtoevoer naar handen en armen. Draag warme kleding en houd uw handen warm en droog. Indien u gevoelloosheid, tintelingen of het wit wegtrekken van de huid waarneemt, dient u het gereedschap uit te schakelen, uw werkgever hiervan op de hoogte te stellen en contact met een arts op te nemen.
- Houd het gereedschap goed vast, maar niet te strak, aangezien de kans op letsel door trillingen groter is naarmate u het gereedschap strakker vasthoudt. Gebruik, indien mogelijk, een hanger of monteer een handgreep aan de zijkant van het gereedschap.
- Onnodige toename van geluids- en trillingsniveau voorkomen:
- Gebruik en onderhoud het gereedschap, en selecteer, onderhoud en vervang de accessoires en verbruiksartikelen in overeenstemming met de instructies in deze handleiding;
- Gebruik geen versleten of niet passende schroevendraaiers, sleutels of verlengstukken.

Werkplaatsgevaaren

- Uitglijden, struikelen en vallen zijn belangrijke oorzaken van ernstig lichamelijk letsel of de dood. Let goed op buizen die op het loop- of werkoppervlak liggen.
- Voorkom het inademen van stof of dampen of het hanteren van vuil afkomstig van het werkproces, die schadelijk zijn voor de gezondheid (denk hierbij aan kanker, aangeboren afwijkingen, astma en/of dermatitis). Zuig stof af en draag een stofmasker wanneer u werkt met materialen die deeltjes afgeven aan de lucht.
- Elektrisch schuren, zagen, slijpen, boren en andere bouwactiviteiten creëren stof die chemicaliën bevat die bij de staat Californië bekend staan als elementen die kankerverwekkend zijn, aangeboren afwijkingen veroorzaken of een nadelige invloed op de voortplanting hebben. Voorbeelden van dit soort chemicaliën zijn:
 - Lood uit verf op loodbasis
 - Silicakristallen, cement en andere metselproducten
 - Arsenicum en chroom in rubber dat met chemicaliën is behandeld

In hoeverre u risico loopt, is afhankelijk van de frequentie waarmee u dit soort werkzaamheden uitvoert. Beperk blootstelling aan dit soort chemicaliën als volgt: werk in een goed geventileerde ruimte, werk met goedgekeurde veiligheidsuitrusting, zoals stofmaskers die speciaal ontwikkeld zijn voor het filteren van microscopisch kleine deeltjes.

- Wees voorzichtig wanneer u zich op onbekend terrein bevindt. Zorg dat u zich bewust bent van de potentiële gevaren van uw werkzaamheden. Dit gereedschap is niet geïsoleerd tegen contact met elektrische stroombronnen.
- Dit gereedschap is niet aanbevolen voor gebruik in een potentieel explosieve atmosfeer.

i Aanvullende veiligheidsinformatie betreffende draagbare pneumatische gereedschappen:

- CAGI 2528 - B186.1, VEILIGHEIDSCODE VOOR DRAAGBARE PNEUMATISCHE GEREEDSCHAPPEN, verkrijgbaar via Global Engineering Documents op <https://global.ihs.com/> of bel +1 800 447-2273. In geval van problemen bij het verkrijgen van ANSI-normen kunt u contact opnemen met ANSI via <https://www.ansi.org/>

Nuttige informatie

Veiligheidsinformatieblad

De veiligheidsinformatiebladen beschrijven de chemische producten verkocht door Chicago Pneumatic.

Raadpleeg de Chicago Pneumatic-website voor meer informatie qr.cp.com/sds.

Land van oorsprong

Hungary

Website

Informatie betreffende onze producten, accessoires, reserveonderdelen en pucliaties is te vinden op de website van Chicago Pneumatic.

Ga naar: www.cp.com.

Copyright

© Copyright 2022, CHICAGO PNEUMATIC Tool Co.LLC, 1815 Clubhouse Road, Rock Hill, SC 29730 - USA

Alle rechten voorbehouden. Onrechtmatig gebruik of het kopiëren van de inhoud of een deel hiervan is verboden. Dit is met name van toepassing op handelsmerken, modelnamen, onderdeelnummers en tekeningen. Gebruik uitsluitend onderdelen van Atlas Copco. Schade of defecten als gevolg van het gebruik van onderdelen van derden vallen niet onder de garantie.

Teknische data

Værktøjsdata

	Frihastighed (o./min.)	Vægt (kg)	Vægt (lb)
CP2810	2400	0.8	1.8
CP2811	750	0.9	2.0
CP2812	950	1.1	2.4
CP2814	1100	0.8	1.8

Tabel 3: Pistolskruetrækker

i Maks. arbejdsdruk ved fri hastighed er 6,3 bar / 90 psig.

	Frihastighed (o./min.)	Vægt (kg)	Vægt (lb)
CP2822	1300	0.9	2.0
CP2824	1500	0.9	2.0

Tabel 4: Lige skruetrækker

i Maks. arbejdsdruk ved fri hastighed er 6,3 bar / 90 psig.

Yderligere ekstraudstyr

Til nedenstående modeller skal der anvendes et sidehåndtag hvis momentet overstiger **10 Nm** for pistolskruetrækker og **4 Nm** for lige skruetrækker.

Model	Delnummer for sidehåndtag
CP2810	6151820079
CP2811	6151820079

Model	Delnummer for sidehåndtag
CP2812	6151820078
CP2822	6151820078

Erklæringer

EU-overensstemmelseserklæring

Vi, **CHICAGO PNEUMATIC Tool Co.LLC**, 1815 Clubhouse Road, Rock Hill, SC 29730 - USA, erklærer, under eneansvar, at produktet (med navn, type og serienummer på forsiden) er i overensstemmelse med følgende direktiv(er):

2006/42/EC

Harmoniserede standarder anvendt:

EN 11148-6:2012

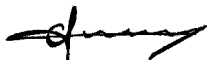


Myndigheder kan rekvirere relevant teknisk information fra:
Pascal Roussy, R&D Manager, Ets Georges Renault, 38 rue
Bobby Sands, BP10273 44818 Saint Herblain, France

Saint-Herblain, 2022/05/25

Pascal ROUSSY

Udgiverens underskrift



Støj- og vibrationsdeklaration

Lydniveau - ISO 15744

Model	LpA dB(A)	LWA dB(A)
CP2810	83	94
CP2811	83	94
CP2812	82	93
CP2814	76	87
CP2822	83	94
CP2824	73	-

LpA dB(A): lydtryksniveau

LWA dB(A): lydeffektniveau

K / KpA = KWA = 3 dB: usikkerhed

Vibrationsniveau -ISO 28927-2

	ahd (m/s ²)	K (m/s ²)
Alle modeller	<2.5	-

ahd, ah: vibrationsniveau

Disse deklarerede værdier er opnået ved laboratorietests i overensstemmelse med de angivne standarder, og kan bruges til sammenligning med de deklarerede værdier for andre værktøjer testet i overensstemmelse med de samme standarder.

Disse deklarerede værdier er ikke hensigtsmæssige til brug ved risikovurderinger, og værdier målt på individuelle arbejdspladser kan være højere. De faktiske eksponeringsværdier og den skadesrisiko, der opleses af en enkelt bruger er unikke og er afhængige af den måde, hvorpå brugeren arbejder, emnet og arbejdspladsudformningen, og af brugerens eksponeringstid og fysiske tilstand.

Vi, **CHICAGO PNEUMATIC Tool Co.LLC**, hæfter ikke for følgerne af at bruge de erklærede værdier i stedet for værdier, der afspejler den faktiske udsættelse i en individuel risikovurdering i en arbejdspladssituation, som vi ikke er herre over.

Dette værktøj kan forårsage hånd-arm-vibrationssyndrom, hvis anvendelse af værktøjet ikke styres tilstrækkeligt. En EU-vejledning til styring af hånd-armvibration findes ved at gå til <http://www.pneurop.eu/index.php> og vælge 'Tools' og derpå 'Legislation'.

Vi anbefaler et helbredsovervågningsprogram, så tidlige symptomer på vibrationseksponering kan blive opdaget, og ledelsesprocedurerne kan ændres mhp. at forebygge fremtidige skader.

- ⓘ Hvis dette udstyr er beregnet til fastgjorte anvendelser. Støjemissionen angives som vejledende for maskinbyggerne. Støj- og vibrationsemissionsdata for hele maskinen skulle være angivet i maskinens instruktionsbog.

Oplysninger om artikel 33 i REACH

Den europæiske forordning (EU) nr. 1907/2006 om registrering, vurdering og godkendelse af samt begrænsninger for kemikalier (REACH) definerer blandt andet krav til kommunikation i forsyningskæden. Oplysningskravet gælder også for produkter, der indeholder såkaldte særligt problematiske stoffer ("kandidatlisten"). Den 27. juni 2018 blev blymetal (CAS nr. 7439-92-1) føjet til kandidatlisten.

I overensstemmelse med ovenstående skal vi meddele dig, at visse mekaniske komponenter i produktet kan indeholde blymetal. Dette er i overensstemmelse med gældende lovgivning om stofbegrænsning og baseret på legitime undtagelser i RoHS-direktivet (2011/65/EU). Blymetal lækker og muterer ikke fra produktet ved normal brug, og koncentrationen af blymetal i det komplette produkt ligger langt under den gældende grænseværdi. Tag hensyn til lokale krav vedrørende bortskaffelse af bly ved slutningen af produktets levetid.

Regionale krav

⚠ ADVARSEL

Dette produkt kan udsætte dig for kemikalier og bly, som af staten Californien regnes for at være kræftfremkaldende og kan føre til fosterskader og andre reproduktionsskader. For yderligere oplysninger, gå til <https://www.p65warnings.ca.gov/>

Sikkerhed

KASSÉR IKKE DETTE - GIV DET TIL BRUGEREN

⚠ ADVARSEL Læs alle sikkerhedsadvarsler, anvisninger, illustrationer og specifikationer, der følger med dette produkt.

Hvis ikke alle instruktionerne følges, kan det føre til elektrisk stød, brand, skade på ejendom og/eller alvorlige kvæstelser.

Gem alle advarsler og instruktioner til fremtidig brug.

⚠ ADVARSEL Alle lokalt gældende sikkerhedsforskrifter omhandlende installation, drift og vedligeholdelse skal altid overholdes.

Anvendelseserklæring

- Kun til professionel brug.
- Dette produkt og produktets tilbehør må ikke modificeres på nogen måde.

- Dette produkt må ikke bruges, hvis det er beskadiget.
- Hvis mærkaterne om produktdata eller advarsler på værktøjet ikke længere kan læses eller falder af, skal der straks sættes nye på.
- Produktet må kun installeres, betjenes og serviceres af en kvalificeret person i et industriområde.

Tilsigtet brug

Dette produkt er designet til at montere og afmontere gevindskårne befæstelselementer i træ, metal eller plast. Kun til indendørs brug.

Ingen anden anvendelse er tilladt.

Brug af reservedele eller tilbehør som ikke er leveret af producenten kan resultere i et tab af ydeevne og forøget vedligeholdelsesbehov, støjniveau og vibration, og som følge heraf et totalt bortfald af producentens garanti.

Produktspecifikke instrukser

Produktbeskrivelse

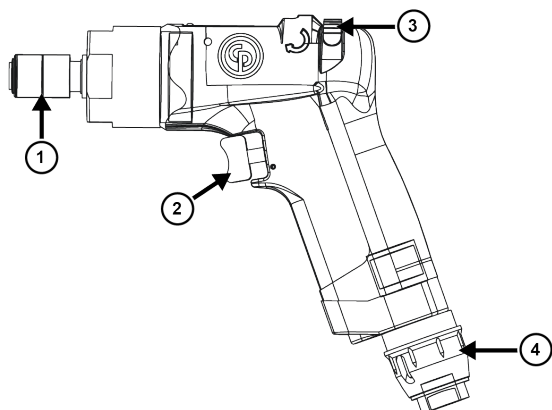


Illustration 12: CP2810 / CP2811 / CP2812

Emne	Beskrivelse
1	Hurtigskiftepatron
2	Trigger
3	Knap til skift af rotationsretning
4	Justerbar luftudblæsning

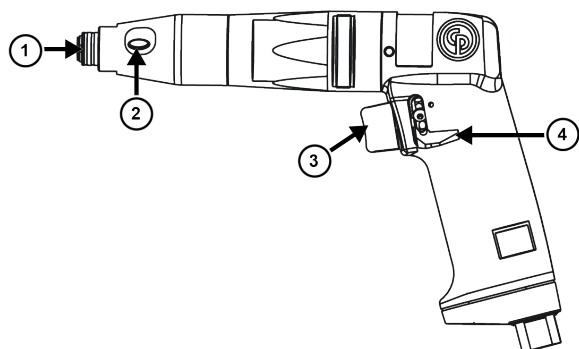


Illustration 13: CP2814

Emne	Beskrivelse
1	Hurtigskiftepatron
2	Adgang til momentjustering
3	Trigger
4	Knap til skift af rotationsretning

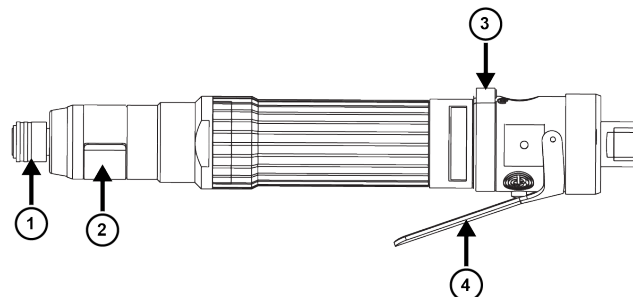


Illustration 14: CP2822 / CP2824

Emne	Beskrivelse
1	Hurtigskiftepatron
2	Adgang til momentjustering
3	Knap til skift af rotationsretning
4	Trigger

Installation af værktøjet

1. Monter tilbehøret korrekt på værktøjet.
2. Tilstøttet værktøjet som vist i afsnittet Air diagram [side 4].

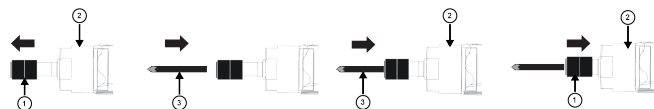
Start af værktøjet

⚠ ADVARSEL Betjeningsfare

Kontrollér at værktøjet er korrekt tilsluttet til den pneumatiske forsyning inden start.

- Kontrollér den pneumatiske forbindelse.
- Se luftdiagram.

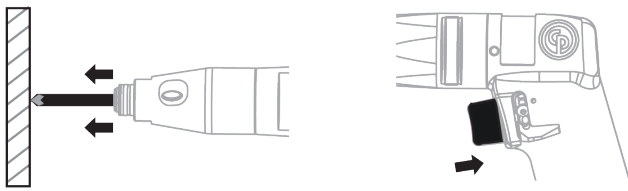
Installation af bitten



1. Træk hurtigskiftepatronen (1) væk fra værktøjet (2).
2. Placer bitten (3).
3. Indsæt bitten (3) i værktøjet (2).
4. Tryk hurtigskiftepatronen (1) ind mod værktøjet (2).
5. Sørg for at hurtigskiftepatronen (1) er installeret korrekt.

Tryk på triggeren

Til CP2810 / CP2811 / CP2812 / CP2814



Betjening af push-to-start-værktøjet:

1. Læg tryk på bittens imens værktøjet er i drift mod emnet.
2. Tryk på triggeren (aftrækker) på værktøjet.

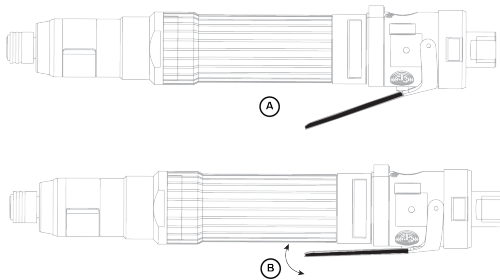
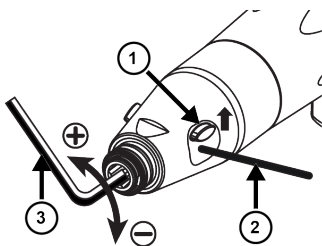


Illustration 15: CP2822 / CP2824

A	Udløser INAKTIV
B	Udløser AKTIV

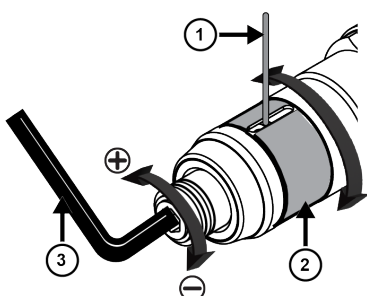
Justering af momentet

På CP2812 / CP2814



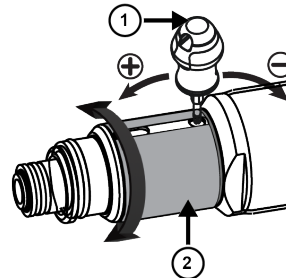
1. Skub adgangsdæksket til momentjustering (1) op.
2. Indsæt en stang (2).
3. Indsæt en unbrakonøgle (3) af størrelsen 6,35 mm for at justere momentet.
4. Skub adgangsdæksket til momentjustering (1) ned.

På CP2822



1. Roter adgangsdækslet til momentjustering (2) til adgangshullet.
2. Indsæt en stang (1).
3. Indsæt en unbrakonøgle (3) af størrelsen 6,35 mm for at justere momentet.
4. Roter adgangsdækslet til momentjustering (2) til udgangspositionen.

På CP2824



1. Roter adgangsdækslet til momentjustering (2) til adgangshullet.
2. Isæt en patronindstillingskruetrækker (1) for at justere momentet.
3. Roter adgangsdækslet til momentjustering (2) til udgangspositionen.

Generelle sikkerhedsanvisninger

Føremoment: trykluft og tilslutning

- Luft under tryk kan forårsage alvorlig tilskadekomst.
- Sluk altid for lufttilførslen, tag trykket af slangen, og kobl værktøjet fra, når det ikke benyttes, og der skiftes tilbehør eller foretages reparation.
- Vend aldrig luft mod dig selv eller andre.
- Piskende slanger kan forårsage alvorlig personskade. Inspicér altid for beskadigede og løse slanger og fittings.
- Brug ikke lynafbrydelseskoblinger på værktøjet. Se instruktionerne vedr. korrekt montering.
- Når der benyttes universalspiralkoblinger, skal der være installeret låsestifter.
- Luftrykket må aldrig overstige 6,3 bar/90 psig, eller som angivet på værktøjets fabriksskilt.

Indviklingsfare

- Hold afstand til roterende dele. Man kan blive kvalt, skalperet og/eller sønderrevet, hvis løstsiddende tøj, handsker, smykker, halsklude og hår ikke holdes væk fra værktøj og tilbehør.
- Handsker kan blive viklet ind i roterende drev og forårsage afskårne eller brækkede fingre.
- Drivspindelfatninger og drivforlængelser kan nemt gribe i gummibelagte eller metalforstærkede handsker.
- Du må ikke bruge løstsiddende handsker eller handsker med snittede eller flossede fingre.
- Hold aldrig i drivspindelen, fatningen eller drivforlængelsen.

Fare for udslyngede genstande

- Brug altid slagfast øsen- og ansigtsværn under eller nær arbejdet, reparation eller vedligeholdelse af værktøjet eller udskiftning af tilbehør på værktøjet.
- Sørg for, at alle andre i området benytter slagfast øsen- og ansigtsværn. Selv små udslyngede genstande kan skade øjne og forårsage blindhed.
- Over- eller undertilspændte møtrikker og bolte kan forårsage alvorlig tilskadekomst, idet sådanne kan gå itu eller løsnes og falde af. Løsnede dele kan opføre sig som projektiler. Samlinger, der skal strammes med et særligt moment, skal kontrolleres ved hjælp af en momentmåler.
BEMÆRK: Såkaldte "klik" momentnøgler kan ikke bruges til at kontrollere for potentielt farlige, over-spændte tilstande.
- Undlad at bruge manuelle topnøgler. Brug kun elektriske eller slagtopnøgler, som er i god stand.
- Sørg for, at arbejdsområdet sidder sikkert fast.

Driftsfarer

- Frakobl lufttilførslen, før du håndterer skruetrækkerbits eller topstykker, justerer koblingen eller skiller værktøjet ad.
- Brugere og reparationspersonale skal være fysisk i stand til at håndtere det elektriske værktøj med hensyn til omfang, vægt og kraft.
- Hold værktøjet korrekt: vær parat til at modvirke almindelige eller pludselige bevægelser - brug begge hænder.
- Umiddelbart efter justering af koblingen skal du tjekke, at værktøjet fungerer korrekt
- Må ikke bruges med et lavere lufttryk, eller hvis den er slidt: Det er muligt, at koblingen ikke fungerer, og dette kan forårsage, at skaffet pludselig drejer.
- Hold altid godt fast i værktøjets håndtag i den modsatte retning af spindelrotation for at mindske effekten fra et pludseligt moment i forbindelse med endelig stramning og indledende løsning.
- Hvis det er muligt, brug en støttearm til at absorbere reaktionsmomentet. Hvis dette ikke er muligt, anbefales det at bruge sidehåndtag til værktøj med lige hus og til værktøj med pistolgreb. Reaktionsstænger anbefales til vinklede møtrikspændere. I alle tilfælde anbefales det at bruge et middel til at absorbere reaktionsmomentet over 4 Nm (3 lbf.ft) til værktøjer med lige huse, over 10 Nm (7,5 lbf.ft) til værktøjer med pistolgreb og over 60 Nm (44 lbf.ft) til vinkelskralder.
- Fingre kan blive knust i en fast nøgle.
- Må ikke bruges, hvor pladsen er trang: pas op, at hænderne ikke knuses mellem værktøjet og arbejdsområdet, særligt når man skruer løs.

Gentagne bevægelsesfarer

- Når der anvendes elektrisk værktøj til at udføre arbejdsrelaterede aktiviteter, vil brugeren muligvis føle ubehag i hænder, arme, skuldre, nakke og andre dele af kroppen.
- Indtag en bekvem stilling, mens der bevares et godt fodfæste og undgå akavede eller ubalancerede stillinger. Det kan hjælpe at skifte stilling ved langvarige opgaver for at forebygge ubehag og træthed.

- Lad ikke symptomer som f.eks. vedvarende eller tilbagevendende ubehag, smerte, dunken, irritation, prikken, følelsesløshed, brændende fornemmelse eller stivhed gå upåagtet hen. Hold op med at bruge værktøjet, informér din arbejdsgiver, og tal med en læge.

Støj- og vibrationsfarer

- Høje lyd niveauer kan give permanent høretab og andre problemer som f.eks. tinnitus. Der skal altid bruges høreværn, som anbefalet af din arbejdsgiver eller i gældende arbejdsmiljøbestemmelser.
- Udsættelse for vibrationer kan forårsage invaliderende skade på nerverne og hæmme blodforsyningen til hænder og arme. Brug varmt tøj, og hold hænderne varme og tørre. Hvis der opstår følelsesløshed, snurren eller smerter, eller huden bliver hvid, skal man ophøre med at bruge værktøjet, informere sin arbejdsgiver og søge lægehjælp.
- Hold værktøjet i et let men sikkert greb, da risikoen for vibration generelt er større, når gribekraften er højere. Hvor muligt bør der anvendes en støttearm, eller et sidehåndtag monteres.
- Med henblik på at undgå en stigning i støj- og vibrationsniveauerne:
- Betjenes og vedligeholdes værktøjet, og tilbehør og forbrugsvarer vælges, vedligeholdes og udskiftes iht. denne instruktionsbog.
- Undlad at bruge skruetrækkerbit, muffe eller forlængelser, der passer dårligt.

Farer på arbejdspladsen

- En af de hyppigste årsager til alvorlig og livsfarlig personskade er, at man glider, snubler eller flader. Vær opmærksom på slanger, der er efterladt på gulvet.
- Undgå indånding af støv eller håndtering af affald fra de arbejdsprocesser, som kan være skadelige for dit helbred (f.eks. cancer, fostermisdannelse, astma og/eller dermatitis). Brug et udsugningsanlæg, og brug beskyttende respirationsudstyr, når du arbejder med materialer, der frembringer luftbårne partikler.
- En del støv, som frembringes ved pudning, savning, slibning, boring og andre byggeaktiviteter indeholder kemikalier, hvorom delstaten Californien ved, at de forårsager cancer, fostermisdannelse og anden reproduktiv skade. Nogle eksempler på sådanne kemikalier er:
 - Bly fra blyholdig maling
 - Silikatkrystalholdige mursten, cement og andre murværksprodukter
 - Arsenik og krom fra kemisk behandlet gummi

Risikoen ved udsættelse for disse stoffer varierer, afhængigt af hvor ofte du udfører denne slags arbejde. Du kan mindske udsættelse for disse kemikalier ved at gøre følgende: Udfør arbejdet i et område med god ventilation og brug godkendt sikkerhedsudstyr såsom støvmasker, der er specielt godkendt til at bortfiltrere mikroskopiske partikler.

- Udvis forsigtighed i ukendte omgivelser. Vær opmærksom på mulige farer, der kan opstå som følge af arbejdets udførelse. Dette værktøj er ikke isoleret til kontakt med elektriske strømkilder.

- Dette værktøj anbefales ikke til brug i potentielt eksplosive atmosfærer.

Yderligere sikkerhedsinformation vedrørende transportabelt pneumatisk værktøj:

- CAGI 2528 - B186.1, SAFETY CODE FOR PORTABLE AIR TOOLS (sikkerhedskode for transportabelt pneumatisk værktøj), kan indhentes hos Global Engineering Documents på <https://global.ihs.com/> eller ved telefonisk henvendelse på tlf.: +1 800 447-2273. Hvis du skulle have problemer med at indhente ANSI-standarder, bedes du kontakte ANSI via <https://www.ansi.org/>

Nyttig information

SSSSikkerhedsdatblad

Sikkerhedsdatbladet indeholder beskrivelser af kemiske produkter leveret af Chicago Pneumatic.

Se websiden tilhørende Chicago Pneumatic for yderligere oplysninger på qr.cp.com/sds.

Oprindelsesland

Hungary

Website

Information om vores produkter, tilbehør, reservedele og publikationer kan findes på vores websted for Chicago Pneumatic.

Gå ind på: www.cp.com.

Copyright

© Copyright 2022, CHICAGO PNEUMATIC Tool Co.LLC, 1815 Clubhouse Road, Rock Hill, SC 29730 - USA

Alle rettigheder forbeholdes. Al uautoriseret brug eller kopiering af indholdet eller dele deraf er forbudt. Dette gælder især varemærker, modelbetegnelser, reservedelenumre og tegninger. Brug kun autoriserede reservedele. Al skade eller fejlfunktion som følge af brug af uautoriserede dele dækkes hverken af garantien eller produktansvaret.

Tekniske data

Verktøjdاتا

	Tomgang (rpm)	Vekt (kg)	Vekt (lb)
CP2810	2400	0.8	1.8
CP2811	750	0.9	2.0
CP2812	950	1.1	2.4
CP2814	1100	0.8	1.8

Tabell 3: Pistolskruttrekker

- ⓘ Maksimalt arbejdsstrykk ved fri hastighed er 6,3 bar / 90 psig.

	Tomgang (rpm)	Vekt (kg)	Vekt (lb)
CP2822	1300	0.9	2.0
CP2824	1500	0.9	2.0

Tabell 4: Rett skrutrekker

- ⓘ Maksimalt arbejdsstrykk ved fri hastighed er 6,3 bar / 90 psig.

Ytterligere tilbehør

For modellene nedenfor må et sidehåndtak bruges hvis dreiemomentet overskrider **10 Nm** for pistolskruttrekker og **4 Nm** for rett skrutrekker.

Modell	Sidehåndtaks delenummer
CP2810	6151820079
CP2811	6151820079

Modell	Sidehåndtaks delenummer
CP2812	6151820078
CP2822	6151820078

Erklæringer

EU-Samsvarserklæring

Vi, **CHICAGO PNEUMATIC Tool Co.LLC**, 1815 Clubhouse Road, Rock Hill, SC 29730 - USA, erklærer under eget ansvar at produktet (med navn, type og serienummer, se forsiden) er i samsvar med følgende direktiv(er):

2006/42/EC

Benyttede harmoniserede standarder:

EN 11148-6:2012



Myndigheter kan be om relevant teknisk informasjon fra: Pascal Roussy, R&D Manager, Ets Georges Renault, 38 rue Bobby Sands, BP10273 44818 Saint Herblain, France

Saint-Herblain, 2022/05/25

Pascal ROUSSY

Utstederens signatur

Erklæring om støy- og vibrasjonsdemping

Lydnivå - ISO 15744

Modell	LpA dB(A)	LWA dB(A)
CP2810	83	94
CP2811	83	94
CP2812	82	93
CP2814	76	87
CP2822	83	94
CP2824	73	-

LpA dB(A): lydtryknivå

LWA dB(A): lydeffektnivå

K / KpA = KWA = 3 dB: usikkerhet

Vibrasjonsnivå -ISO 28927-2

	ahd (m/s ²)	K (m/s ²)
Alle modeller	<2.5	-

ahd, ah: vibrasjonsnivåer

Disse erklærte verdiene er fremkommet under laboratorietesting i samsvar med angitte standarder og er egnet for sammenligning med de erklærte verdiene for andre verktøy testet i samsvar med de samme standardene. Disse erklærte verdiene er ikke tilstrekkelige for bruk i risikovurderinger, og verdier målt på individuelle arbeidsplasser kan være høyere. De faktiske eksponeringsverdiene og risikoen ved fare som den enkelte bruker opplever, er unike og avhenger av måten brukeren arbeider, arbeidsemnet og utformingen av arbeidsplassen samt eksponeringstid og brukers fysiske tilstand.

Vi, **CHICAGO PNEUMATIC Tool Co.LLC**, kan ikke holdes ansvarlig for konsekvensen å bruke de erklærte verdiene, i stedet for verdier som reflekterer den faktiske eksponering, i en individuell risikovurdering i en arbeidssituasjon som vi ikke har noen kontroll over.

Dette verktøyet kan forårsake hånd-arm-vibrasjonssyndrom hvis det ikke håndteres riktig. En EU-veiledning for å administrere hånd-/armvibrasjon kan bli funnet ved å gå på <http://www.pneurop.eu/index.php> og velge «Tools» og deretter «Legislation».

Vi anbefaler at bedriftshelsetjenesten gjennomfører et program for å avdekke tidlige tegn på vibrasjonseksponering, slik at prosedyrene kan endres for å bidra til å unngå fremtidig svekkelse.

- i** Dette utstyret er ment for faste applikasjoner: Støyemisjonen gis som en veiledning for maskinbyggeren. Støy- og vibrasjonsemissjonsdata for den fullstendige maskinen skal gis i instruksjonshåndboken for maskinen.

Informasjon angående artikkel 33 i REACH

Den Europeiske reguleringen (EU) Nr. 1907/2006 som gjelder registrering, evaluering, autorisasjon og restriksjon av kjemikalier (REACH) definerer, blant annet, krav relatert til kommunikasjon i leveransekjeden. Informasjonskravet

gjelder også produkter som inneholder såkalte stoffer av meget høy bekymring ("Kandidatlisten"). Den 27.juni, 2018 ble blymetall (CAS nr 7439-92-1) lagt til kandidatlisten.

I henhold med det ovenstående er dette for å informere deg om at visse mekaniske komponenter i produktet kan inneholde blymetall. Dette er i samsvar med den gjeldende lovgivningen som gjelder restriksjoner av stoffer og basert på legitime unntak i RoHS direktivet (2011/65/EU). Blymetall vil ikke lekke eller muteres fra produktet under vanlig bruk og konsentrasjonen av blymetall i det komplette produktet er godt under den gjeldende terskelgrensen. Se over lokale krav angående avhending av bly når produktets brukstid er utløpt.

Regionale krav**⚠ ADVARSEL**

Dette produktet kan utsette deg for kjemikalier inkludert bly, noe den amerikanske staten California regner som kreftfremkallende, som årsak til fosterskader og på andre måter som skadelig for forplantningsprosessen. For mer informasjon besøk

<https://www.p65warnings.ca.gov/>

Sikkerhet

KAST IKKE BORT - GI TIL BRUKER

⚠ ADVARSEL Les alle sikkerhetsadvarslene, instruksjoner, illustrasjoner og spesifikasjoner som medfølger dette produktet.

Dersom du ikke følger instruksjonene under, kan det føre til elektrisk støt, brann og/eller alvorlige skader.

Ta vare på alle advarsler og anvisninger for fremtidig bruk.

⚠ ADVARSEL Alle lokale, lovbestemte sikkerhetsregler vedrørende installasjon, operasjon og vedlikehold skal overholdes til enhver tid.**Brukserklæring**

- Kun til profesjonell bruk.
- Dette produktet og dets tilbehør må ikke på noen måte modifiseres.
- Ikke bruk dette produktet hvis det har blitt skadet.
- Dersom dataverktøyet eller farevarselkiltene på produktet ikke lenger er leselige eller løsner, må disse skiftes ut umiddelbart.
- Produktet må kun installeres, brukes og vedlikeholdes av en kvalifisert person i et industrielt monteringsmiljø.

Tiltenkt bruk

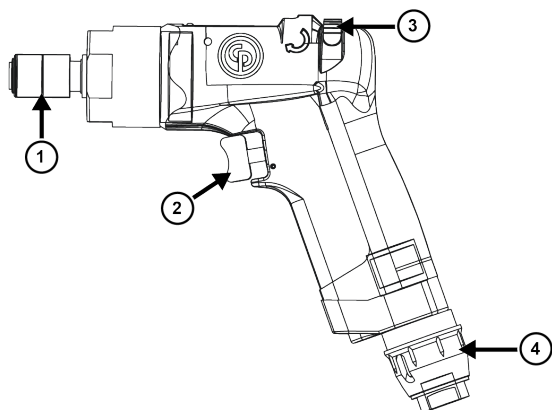
Dette produktet er designet for å installere og fjerne gjengede festeinnretninger i tre, metall eller plast. Kun til innendørs bruk.

Annen bruk er ikke tillatt.

Bruk av andre reservedeler eller tilbehør enn de som opprinnelig er levert av produsenten kan føre til redusert ytelse og økt vedlikehold, støynivå eller vibrasjoner, og som et resultat, fullstendig fritakelse av produsentens ansvar.

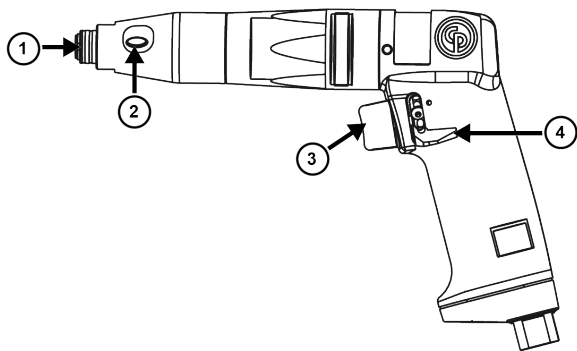
Produktspesifikke instruksjoner

Produktbeskrivelse



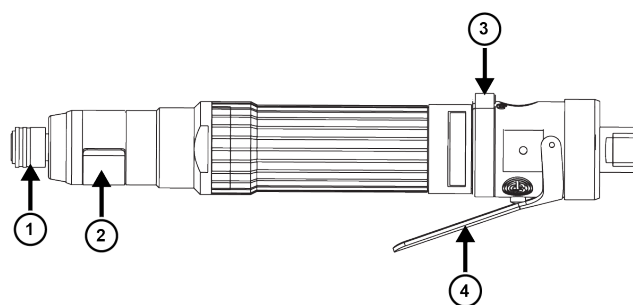
illustrasjon 12: CP2810 / CP2811 / CP2812

Artikkel	Beskrivelse
1	Hurtigbyttechuck
2	Utløser
3	Revers rotasjonsknapp
4	Justerbart luftutslipp



illustrasjon 13: CP2814

Artikkel	Beskrivelse
1	Hurtigbyttechuck
2	Tilgang til momentjustering
3	Utløser
4	Revers rotasjonsknapp



illustrasjon 14: CP2822 / CP2824

Artikkel	Beskrivelse
1	Hurtigbyttechuck
2	Tilgang til momentjustering
3	Revers rotasjonsknapp
4	Utløser

Installere verktøyet

1. Monter tilbehøret ordentlig til verktøyet.
2. Koble til verktøyene som vist i delen Air diagram [side 4].

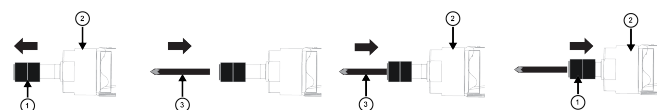
Starte verktøyet

⚠ ADVARSEL Farer under drift

Før du starter verktøyet, sørg for at verktøyet er riktig koblet til pneumatiske forsyning.

- Kontroller den pneumatiske tilkoblingen.
- Se luftdiagram.

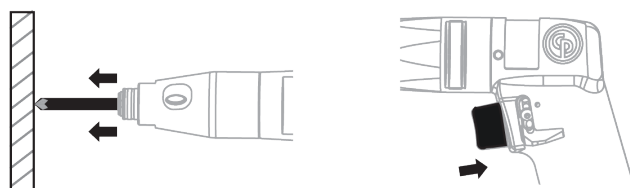
Installere biten



1. Trekk hurtigchucken (1) fra verktøyet (2).
2. Posisjoner biten (3).
3. Sett inn bit (3) i verktøyet (2).
4. Skyv hurtigchucken (1) til verktøyet (2).
5. Sørg for at hurtigchucken (1) er riktig installert.

Trykke på utløseren

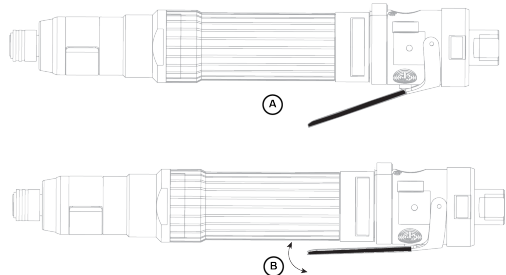
For CP2810 / CP2811 / CP2812 / CP2814



For å betjene push-to-start-verktøyet:

1. Trykk på boret mens verktøyet er i drift mot objektet.

- Trykk på avtrekkeren på verktøyet.

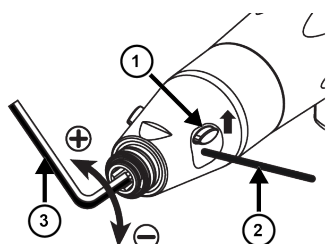


illustrasjon 15: CP2822 / CP2824

A	Utløser AV
B	Utløser PÅ

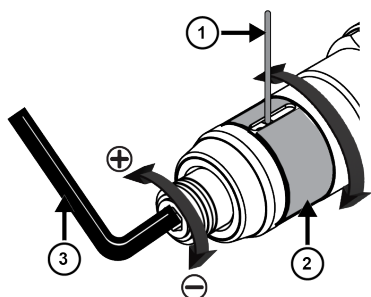
Justering av momentet

For CP2812 / CP2814



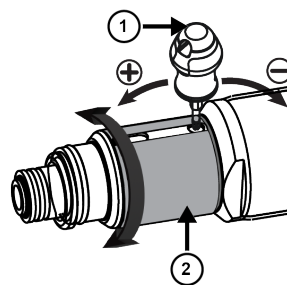
- Skyv tilgangsdreielementet for dreiemomentjustering (1) opp.
- Sett inn en stamme (2).
- Sett inn unbrakonøkkel (3) i størrelse 6,35 mm for å justere dreiemomentet.
- Skyv tilgangsdreielementet for dreiemomentjustering (1) ned.

For CP2822



- Roter tilgangsdreielementet for momentjustering (2) for å få tilgang til sporet.
- Sett inn en stamme (1).
- Sett inn unbrakonøkkel (3) i størrelse 6,35 mm for å justere dreiemomentet.
- Roter tilgangsdreielementet for dreiemomentjustering (2) til sin opprinnelige posisjon.

For CP2824



- Roter tilgangsdreielementet for momentjustering (2) for å få tilgang til sporet.
- Sett inn clutchinnstillings skrutrekket (1) for å justere dreiemomentet.
- Roter tilgangsdreielementet for dreiemomentjustering (2) til sin opprinnelige posisjon.

Generelle sikkerhetsinstruksjoner

Farer forbundet med trykkluftbeholdere og -koblinger

- Luft under trykk kan forårsake alvorlige helseskader.
- Før du skifter tilbehør eller utfører reparasjoner, eller når trykkluftskilden ikke brukes, skal lufttilførselen alltid stenges av, trykk i slangen skal elimineres og verktøyet skal koples fra lufttilførselen.
- Rett aldri trykkluftstrålen mot deg selv eller andre.
- Slanger som slår tilbake kan forårsake alvorlig skade. Kontroller alltid for skadde eller løse slanger og koblingsdeler.
- Bruk aldri koblinger med hurtigutløser på verktøyet. Se instruksjonene for riktig monteringsmetode.
- Dersom man bruker universal vrikoblinger, skal en låsepinne er installert.
- Det maksimale lufttrykket må ikke overstige 6,3 bar/90 psig, eller som angitt på verktøyetstypeskilt.

Farer med sammenfloking

- Hold deg unna drivspindler. Kveling/skalpering og/eller sår kan oppstå hvis løse klær, hansker, smykker, halsskleder og hår ikke holdes unna verktøyet og tilbehøret.
- Hansker kan vikles seg fast i det roterende drevet og forårsake skadede eller brukne fingre.
- Roterende drivsokler og drivutvidelser kan lett vikles inn i gummibelagte eller metallforsterkede hansker.
- Ikke bruk løstsittende hansker eller hansker med avkuttete eller frynsede fingre.
- Hold aldri drevet, sokkelen eller drivutvidelsen.

Farer forbundet med prosjektiler

- Bruk alltid slagfast øye- og ansiktsbeskyttelse når du bruker eller er i nærheten av arbeidsområdet, ved reparasjon eller vedlikehold av verktøyet, eller når du skifter tilbehør på verktøyet.
- Sørg for at alle andre innenfor arbeidsområdet bruker slagfast øye- og ansiktsbeskyttelse. Selv små prosjektiler kan skade øynene og forårsake blindhet.

- Festeskruer som er skrudd til med for stort eller for lite dreiemoment kan forårsake alvorlige helseskader, da de kan brette, løsne eller gå fra hverandre. Montasjer som er skrudd løs, kan bli til prosjektiler. Montasjer som trenger et spesifikt tiltrekkingsmoment, skal sjekkes ved å bruke en måler for tiltrekkingsmoment.

MERK: Momentnøkler med "klikk" kan ikke brukes til å sjekke en potensielt farlig tilstand hvor det er for høyt tiltrekkingsmoment.

- Bruk ikke hylser beregnet for tiltrekking med håndverktøy. Bruk kun hylser beregnet til elektroverktøy eller hylser beregnet til industrielt slagverktøy som er i god stand.
- Se til at arbeidsstykket er godt festet.

Farer under drift

- Du må frakople luftforsyningen før du håndterer skrutrekkerbiten eller skruhodet, justerer clutchen eller demonterer verktøyet.
- Operatører og vedlikeholdspersonell må være i fysisk stand til å behandle størrelsen, vekten og styrken av verktøyet.
- Hold verktøyet på korrekt måte: Vær klar til å reagere på normale eller plutselige bevegelser - ha begge hendene tilgjengelige.
- Pass på at verktøyet fungerer riktig etter justering av clutchen.
- Skal ikke brukes med redusert lufttrykk eller i slitt tilstand. Clutchen fungerer kanskje ikke, noe som fører til plutselig rotasjon av verktøyets håndtak.
- Håndtaket på verktøyet skal alltid støttes forsvarlig i motsatt retning til spindelrotasjonen for å redusere effekten av plutselig tiltrekkingsmoment under slutttiltrekking og på begynnelsen når festeanordninger blir løsnet på.
- Hvis det er mulig, bruk en opphengsarm til å absorbere reaksjonsmomentet. Hvis det ikke er mulig, anbefales sidehåndtak for retthusede verktøy og verktøy med pistolgrep; reaksjonsstenger anbefales for vinkelskiftene. I alle tilfeller anbefales det å bruke et middel til å absorbere reaksjonsdreiemomentet over 4 Nm (3 lbf.ft) for retthusede verktøy, over 10 Nm (7,5 lbf.ft) for verktøy med pistolgrep, og over 60 Nm (44 lbf.ft) for vinkelskiftene.
- Fingrene kan bli knust i muttertrekkere med åpen kråkefot.
- Skal ikke brukes på innestengte steder. Det advares mot muligheten for å klemme hendene mellom maskinen og emnet, spesielt under utskruingen.

Repeterende bevegelsesfarer

- Ved bruk av et elektrisk verktøy til å utføre arbeidsrelaterte aktiviteter kan operatøren oppleve ubehag i hender, armer, skuldre, nakke eller andre deler av kroppen.
- Innta en behagelig posisjon mens du beholder godt fotfeste og unngår en upraktisk eller ubalansert stilling. Hvis du skifter stilling under langvarige oppgaver, kan dette hjelpe deg til å unngå ubehag og tretthet.

- Ikke ignorer symptomene, slik som vedvarende eller tilbakevendende ubehag, smerte, pulserende, verkende, prikkende, nummende, brennende følelse eller stivhet. Stopp bruken av verktøyet, gi arbeidsgiveren din beskjed og oppsøk lege.

Støy- og vibrasjonsfarer

- Høye lydnivåer kan forårsake varig hørselstap og andre problemer, slik som tinnitus. Bruk hørselsvern som anbefalt av arbeidsgiver eller helse- og sikkerhetsforskrifter på arbeidsplassen.
- Vibrasjoner kan forårsake uferhetsskader på nerver og hindre blodtilførselen til hender og armer. Bruk varme klær og hold hender varme og tørre. Hvis det oppstår nummenhet, prikking, smerte eller fargetap i huden, skal du slutte å bruke verktøyet, gi beskjed til din arbeidsgiver og kontakte lege.
- Hold verktøyet i et lett, men trygt grep, fordi risikoen fra vibrasjonen generelt sett er større når grepskraften er høyere. Hvor det er mulig, bruk en opphengsarm eller monter et sidehåndtak.
- For å unngå unødvendige økninger i støy- og vibrasjonsnivåer:
- Sørg for at bruk og vedlikehold av verktøyet, samt utvalg, vedlikehold og utskriftning av tilbehør og forbruksvarer, skjer i henhold til denne bruksanvisningen.
- Ikke bruk skrutrekkerbits, piper eller forlengelser som er utslitte eller som ikke passer.

Farer på arbeidsplassen

- Å skli/snuble/falle er en hyppig årsak til alvorlig skade eller død. Vær oppmerksom på overflødig deler av slangen på bakken der man går eller arbeider.
- Unngå å puste inn støv eller damp og å håndtere helseskadelige avfallsprodukter fra arbeidsprosessen (som kan forårsake for eksempel kreft, fødselsdefekter, astma og/eller dermatitt). Bruk støvavsug og pusteutstyr når du arbeider med materialer som avgir luftbårne partikler.
- Enkelte typer støv som frigjøres ved sandblåsing, saging, sliping, boring og andre byggeaktiviteter inneholder kjemikalier som den amerikanske staten California regner som kreftfremkallende, som årsak til fosterskader og på andre måter skadelig for forplantningsprosessen. Dette er noen eksempler på slike kjemikalier:
 - Bly fra blyholdig maling
 - Blokker av krystallinsilika, sement og andre murprodukter
 - Arsenikk og krom fra kjemikaliebehandlet gummi

Den helsefaren som utgår fra slike produkter varierer, avhengig av hvor ofte du utfører denne type arbeid. For å redusere din eksponering for disse kjemikaliene: Jobb alltid på et godt ventilert område, bruk godkjent sikkerhetsutstyr som f.eks. støvmasker som er spesielt utviklet for å filtrere bort mikroskopiske partikler.

- Gå varsomt frem i uvante omgivelser. Vær oppmerksom på eventuelle farer som skapes av arbeidsaktiviteten. Dette verktøyet er ikke isolert mot å komme i kontakt med elektriske strømkilder.

- Dette verktøyet anbefales ikke til bruk i potensielt eksplosive atmosfærer.

i Tilleggsinformasjon angående bærbare lufttrykksverktøy:

- CAGI 2528 - B186.1, SIKKERHETSKODE FOR BÆRBARE LUFTRYKKSVERKTØY, tilgjengelig fra Global Engineering Dokumenter på <https://global.ihs.com/> eller ring +1 800 447-2273. Ta eventuelt kontakt med ANSI via <http://www.ansi.org/> hvis det er vanskelig å få tak i ANSI standarder.

Nyttig informasjon

Sikkerhetsdatablad

Sikkerhetsdatabladet beskriver de kjemiske produktene solgt av Chicago Pneumatic.

Vennligst se Chicago Pneumatic nettsider for mer informasjon qr.cp.com/sds.

Opphavsland

Hungary

Nettsider

Du finner informasjon vedrørende produkter, tilbehør, reservedeler og publiserte saker på Chicago Pneumatic-nettsidet.

Besøk siden: www.cp.com.

Opphavsrett

© Copyright 2022, CHICAGO PNEUMATIC Tool Co.LLC, 1815 Clubhouse Road, Rock Hill, SC 29730 - USA

Alle rettigheter forbeholdes. All uautorisert bruk eller kopiering av innholdet eller en del av dette er forbudt. Dette gjelder spesielt for varemerker, modellbetegnelser, delenumre og tegninger. Bruk kun autoriserte deler. Skader eller feilfunksjoner som forårsakes av bruk av uautoriserte deler, dekkes ikke av garantien eller produktansvaret.

Tekniset tiedot

Työkalutiedot

	Kuormittama- ton nopeus (r/ min)	Paino (kg)	Paino (naula)
CP2810	2400	0.8	1.8
CP2811	750	0.9	2.0
CP2812	950	1.1	2.4
CP2814	1100	0.8	1.8

Taulukko 3: Pistoolikahvainen ruuvinväännin

- i** Enimmäiskäyttöpaine kuormittamattomalla nopeudella on 6,3 bar / 90 psig.

	Kuormittama- ton nopeus (r/ min)	Paino (kg)	Paino (naula)
CP2822	1300	0.9	2.0
CP2824	1500	0.9	2.0

Taulukko 4: Suora ruuvinväännin

- i** Enimmäiskäyttöpaine kuormittamattomalla nopeudella on 6,3 bar / 90 psig.

Lisävarusteet

Alla oleville malleille sivukahvaa täytyy käyttää, jos vääntömomentti ylittää **10 Nm** pistoolikahvaiselle ruuvinvääntimelle ja **4 Nm** suoralle ruuvinvääntimelle.

Malli	Sivukahva osanumero
CP2810	6151820079
CP2811	6151820079

Malli	Sivukahva osanumero
CP2812	6151820078
CP2822	6151820078

Vakuutukset

EU-vaatimustenmukaisuusvakuutus

Me, CHICAGO PNEUMATIC Tool Co.LLC, 1815 Clubhouse Road, Rock Hill, SC 29730 - USA, vakuutamme yksinomaisella vastuullamme, että tuote (nimi, tyyppi ja sarjanumero, katso etusivu) on yhdenmukainen seuraavien direktiivien kanssa:

2006/42/EC

Sovelletut yhdenmukaistetut standardit:

EN 11148-6:2012

Viranomaiset voivat pyytää asiaan liittyvät tekniset tiedot seuraavasta osoitteesta:

Pascal Roussy, R&D Manager, Ets Georges Renault, 38 rue Bobby Sands, BP10273 44818 Saint Herblain, France

Saint-Herblain, 2022/05/25

Pascal ROUSSY

Ilmoittajan allekirjoitus




Melu- ja värinädirektiivin selonteko

Äänitaso - ISO 15744

Malli	LpA dB(A)	LWA dB(A)
CP2810	83	94
CP2811	83	94
CP2812	82	93
CP2814	76	87
CP2822	83	94
CP2824	73	-

LpA dB(A): äänenpainetaso

LWA dB(A): äänentehotas

K / KpA = KWA = 3 dB: mittausepävarmuus

Tärinätas -ISO 28927-2

	ahd (m/s ²)	K (m/s ²)
Kaikki mallit	<2.5	-

ahd, ah: värinätasot

Nämä ilmoitetut arvot saatiin laboratoriotyypisissä testeissä mainittujen standardien mukaisesti. Arvot soveltuvat vertailuun toisten testattujen työkalujen vastaavien arvojen kanssa, kun testaus on tehty samojen standardien puitteissa. Ilmoitetut arvot eivät ole riittäviä riskianalyyseihin tekemiseen, ja yksittäisistä työpisteistä mitatut arvot saattavat olla tässä ilmoitettuja arvoja korkeampia. Hetkelliset altistusarvot ja yksittäisen käyttäjän vahingoittumisriski ovat ainutkertaisia ja ne riippuvat siitä, miten käyttäjä työskentelee, mitä hän työstää, miten työpiste on suunniteltu, miten pitkään hän altistuu ja siitä, millaisessa fyysisessä kunnossa käyttäjä on.

Me **CHICAGO PNEUMATIC Tool Co.LLC**, emme ole vastuussa ilmaistujen arvojen käytöstä syntyvistä seuraamusista todellista altistumista vastaavien arvojen sijaan työpaikan tilanteen yksittäisessä riskiarvioinnissa, jota emme voi hallita.

Tämä työkalu voi aiheuttaa käsien ja käsivarsien värisemistä, jos sitä ei käytetä oikealla tavalla. Käsitärinän hallintaa koskeva EU-opas löytyy osoitteesta <http://www.pneurop.eu/index.php>. Valitse "Työkalut" ja sen alta kohta "Lainsäädäntö".

Suosittamme säännöllisiä terveystarkastuksia värinäaltistuksen aiheuttamien, värinäsaarauteen viittaavien oireiden havaitsemiseksi ajoissa, jotta työnohjauksella ja työympäristöön vaikuttavilla toimilla voidaan estää oireiden paheneminen tulevaisuudessa.

- i** Jos tämä laite on tarkoitettu kiinteisiin sovelluksiin: Melupäästöarvot ovat ohjeellisia koneenrakentajaa varten. Koko koneen melu- ja värinäpäästö tiedot on ilmoitettava koneen käyttöohjeessa.

Tietoa REACH-asetuksen artiklasta 33

Euroopan REACH-asetus (EU) N:o 1907/2006 kemikaalien rekisteröinnistä, arvioinnista, lupamenettelyistä ja rajoituksesta määrittää muun muassa toimitusketjun viestintään liit-

tyviä velvoitteita. Tiedonantovelvoite koskee myös tuotteita, jotka sisältävät niin sanottuja erityistä huolta aiheuttavia aineita (ns. ehdokasluettelon aineita). 27. kesäkuuta 2018 tähän ehdokasluetteloon lisättiin lyijymetalli (CAS-numero 7439-92-1).

Yllä olevaa noudattaen haluamme ilmoittaa, että jotkut mekaaniset komponentit tuotteessa saattavat sisältää lyijymetallia. Tämä on aineiden rajoittamista koskevan lainsäädännön mukaista ja perustuu RoHS-direktiivin (2011/65/EU) poikkeuksiin. Lyijymetalli ei vuoda eikä mutatoitu tuotteesta normaalin käytön aikana, ja lyijymetallipitoisuus valmiissa tuotteessa on huomattavasti alle sovellettavan kynnyksen. Ota huomioon paikalliset vaatimukset lyijyn hävittämiseksi tuotteen käyttöä lopussa.

Alueelliset vaatimukset**⚠ VAROITUS**

Tuote voi altistaa käyttäjän kemikaaleille, kuten lyijylle, jonka Kalifornian osavaltiossa tiedetään aiheuttavan syöpää ja synnynnäisiä epämuodostumia tai muuta lisääntymishaittaa. Katso lisätietoja osoitteesta

<https://www.p65warnings.ca.gov/>

Turvallisuus

ÄLÄ HÄVITÄ – ANNETTAVA KÄYTTÄJÄLLE

⚠ VAROITUS Lue tämän tuotteen mukana toimitetut kaikki turvallisuusvaroitukset, ohjeet, kuvaukset ja tekniset tiedot.

Jos kaikkia alapuolella kuvattuja ohjeita ei noudateta, seurauksena voi olla sähköisku, tulipalo, omaisuusvahinko ja/tai vakava henkilövahinko.

Säilytä kaikki varoitukset ja ohjeet myöhempää käyttöä varten.

⚠ VAROITUS Kaikkia paikallisia turvallisuusohjeita koskien asennusta, käyttöä ja huoltoa on aina noudatettava.**Käyttötiedote**

- Vain ammattikäyttöön.
- Tätä tuotetta ja sen lisälaitteita ei saa muuttaa millään tavalla.
- Älä käytä tuotetta, jos se on vaurioitunut.
- Jos tuotteen tietojen tai vaarasta varoittavat kyltit eivät ole enää selvästi luettavissa tai irtoavat, ne on vaihdettava välittömästi.
- Vain pätevä henkilö saa asentaa, käyttää ja huoltaa tuotetta teollisuusympäristössä.

Tarkoituksenmukainen käyttö

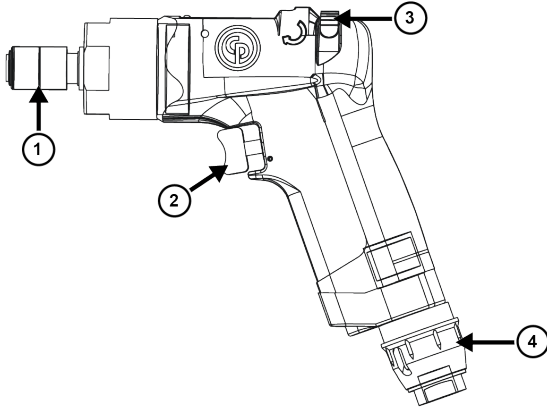
Tämä laite on suunniteltu kierteitettyjen kiinnittimien asentamiseen puuhun, metalliin tai muoviin sekä irrottamiseen näistä materiaaleista. Vain sisäkäyttöön.

Muut käyttötavat ovat kiellettyjä.

Muiden kuin valmistajan alunperin toimittamien varaosien tai varusteiden käyttö saattaa aiheuttaa suorituskyvyn laskun ja ylläpidon tarpeen, melutason tai värinän lisääntymisen ja tämän seurauksena valmistajan vastuun täydellisen peruutuksen.

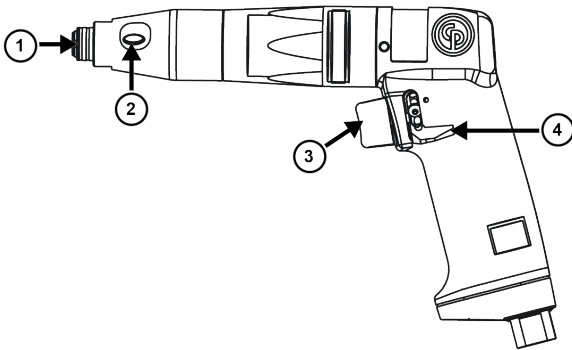
Tuotekohtaiset ohjeet

Tuotekuvaus



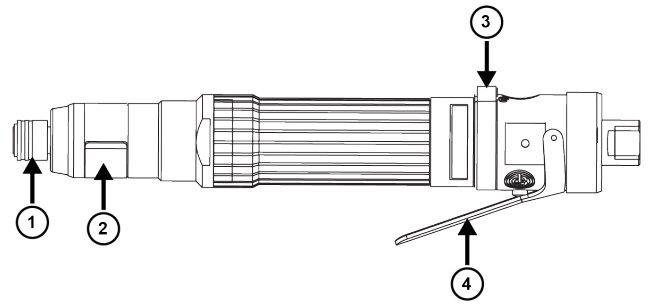
Kuvitus 12: CP2810 / CP2811 / CP2812

Tuote	Kuvaus
1	Pikavaihtoistukka
2	Liipaisin
3	Kiertosuunnan vaihtopainike
4	Säädettävä ilmanpoisto



Kuvitus 13: CP2814

Tuote	Kuvaus
1	Pikavaihtoistukka
2	Väännön säätökäyttö
3	Liipaisin
4	Kiertosuunnan vaihtopainike



Kuvitus 14: CP2822 / CP2824

Tuote	Kuvaus
1	Pikavaihtoistukka
2	Väännön säätökäyttö
3	Kiertosuunnan vaihtopainike
4	Liipaisin

Työkalun asennus

1. Kiinnitä varusteet työkaluun kunnolla.
2. Liitä työkalut kuten osassa Air diagram [sivu 4].

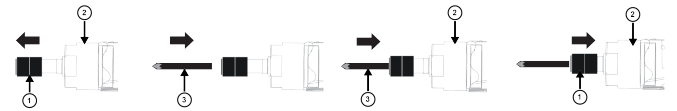
Työkalun käynnistäminen

⚠ VAROITUS Käytön vaarat

Varmista ennen työkalun käynnistämistä, että työkalu on liitetty oikein paineilman syöttöön.

- Tarkista paineilmaliihtä.
- Katso ilmakaavio.

Asenna terä



1. Vedä pikavaihtoistukka (1) työkalusta (2).
2. Aseta terä (3).
3. Aseta terä (3) työkaluun (2).
4. Työnnä pikavaihtoistukka (1) työkaluun (2).
5. Varmista, että pikavaihtoistukka (1) on asennettu oikein.

Liipaisimen painaminen

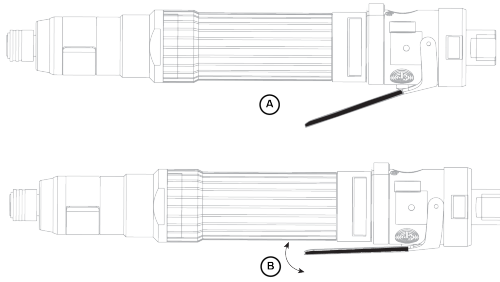
Malleille CP2810 / CP2811 / CP2812 / CP2814



Työntökäynnisteisen työkalun käyttö:

1. Paina terää esinettä vasten, kun työkalu on käynnissä.

2. Paina työkalun liipaisinta.

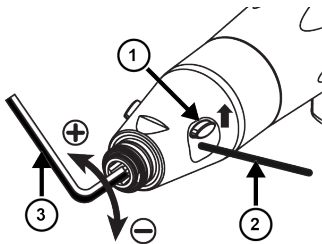


Kuvitus 15: CP2822 / CP2824

A	Liipaisin POIS
B	Liipaisin PÄÄLLÄ

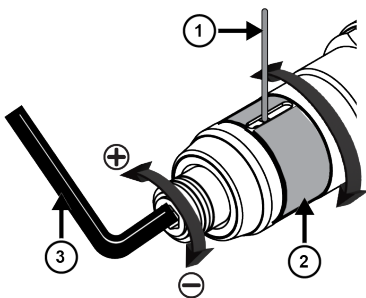
Vääntömomentin säätö

Malleille CP2812 / CP2814



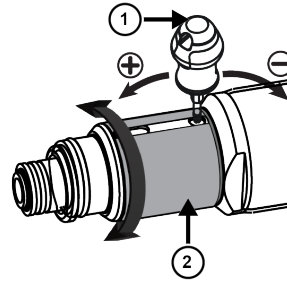
1. Liu'uta väännön säätökäytön suojusta (1) ylös.
2. Aseta varsi (2).
3. Aseta 6,35 mm:n kokoinen kuusiokoloavain (3) väännön säätämiseksi.
4. Liu'uta väännön säätökäytön suojusta (1) alas.

Mallille CP2822



1. Kierrä väännön säätökäytön suojusta (2) aukon avaamiseksi.
2. Aseta varsi (1).
3. Aseta 6,35 mm:n kokoinen kuusiokoloavain (3) väännön säätämiseksi.
4. Kierrä väännön säätökäytön suojusta (2) sen alkuperäiseen asentoon.

Mallille CP2824



1. Kierrä väännön säätökäytön suojusta (2) aukon avaamiseksi.
2. Aseta ruuvinväännin kytkinasetus (1) väännön säätämiseksi.
3. Kierrä väännön säätökäytön suojusta (2) sen alkuperäiseen asentoon.

Yleiset turvamääräykset

Paineilmaan ja liitäntöihin liittyvät vaarat

- Paineilma voi aiheuttaa vakavia vammoja.
- Katkaise aina ilmansyöttö, poista paine putkistosta ja irrota työkalu ilmansyöttölähteestä, kun sitä ei käytetä, tehtäessä korjaustöitä ja ennen osien vaihtamista.
- Älä koskaan suuntaa paineilmaa itseäsi tai ketään muuta kohti.
- Hallitsemattomasti liikkuvat letkut voivat aiheuttaa vakavia vammoja. Tarkasta aina, että letkut ja liitokset ovat ehjiä ja tiukasti kiinni.
- Älä käytä pikaliitoksia. Lue asennusohjeet oikean asennuksen varmistamiseksi.
- Jos käytetään yleiskäyttöisiä kierrelitoksia, niihin on asennettava lukitustapit.
- Ilmanpaine ei saa ylittää 6,3 baaria (90 psig) tai työkalun tyyppikilvessä ilmoitettua painetta.

Kiinni takertumisen vaara

- Pysy loitolla pyörivästä käyttöpyörästä. Vaatteiden, käsineiden, korujen, solmion, huivin tai hiusten takertuminen työkaluun tai sen varusteisiin voi johtaa tukehtumiseen, päänahan irtoamiseen ja/tai syviin haavoihin.
- Käsineet voivat takertua pyöriviin koneenosiin aiheuttaen sormien murtumisen tai katkeamisen.
- Kumipintaiset ja metallivahvisteiset käsineet takertuvat helposti pyörivän ulostulon hylsyihin tai jatkeisiin.
- Älä käytä väljiä käsineitä tai käsineitä, joiden sormiosat ovat kuluneet tai katkaistu irti.
- Älä koskaan pidä kiinni koneen mekaanisesta ulostulosta, hylsystä tai ulostulon jatkeesta.

Sinkoilevien kappaleiden aiheuttama vaara

- Käytä aina iskunkestäviä suojalaseja ja kasvosuojusta työkalun käyttö-, korjaus- ja huoltoalueella tai niiden läheisyydessä sekä osien vaihdon yhteydessä.
- Varmista, että muut samalla alueella olevat käyttävät iskunkestäviä suojalaseja ja kasvosuojuksia. Pienetkin kappaleet voivat vaurioittaa silmiä ja aiheuttaa sokeutumisen.

- Vakava vamma tai tapaturma voi aiheutua yli- tai alikiristetyistä kiinnikkeistä, jotka voivat rikkoutua tai löystyä ja irrota. Irronneet osat voivat sinkoutua ulos. Tietyä vääntömomenttia vaativat asennukset täytyy tarkistaa käyttämällä vääntömomentin mittaria.

HUOMIO: Niin sanotut "klik"-momenttiavaimet eivät tarkista mahdollisesti vaarallisia ylikiristettyjä olosuhteita.

- Älä koskaan käytä käsivääntöisiä hylsyjä. Käytä ainoastaan hyväkuntoisia voima- tai iskuhylsyjä.
- Varmista, että työstettävä kappale on kiinnitetty kunnolla.

Käyttövaarat

- Katkaise ilmansyöttö ennen ruuvinvääntimen terän tai hylsyn käsittelyä, kytkimen säätöä tai työkalun purkamista.
- Käyttäjien ja huoltajien on pystyttävä fyysisesti käsittelemään työkalun kokoa, painoa ja voimaa.
- Pitele työkalua oikein: ole valmis korjaamaan normaali tai äkkinäinen liike – pidä molemmat kädet valmiina.
- Tarkista oikea toiminta heti kytkimen säätämisen jälkeen.
- Älä käytä alhaisella paineella tai jos laite on kulunut: kytkin ei välttämättä toimi, jolloin työkalun kahva saattaa pyöriä äkillisesti.
- Tue työkalun kahva aina hyvin vastakkaiseen suuntaan akselin pyörimisestä, jotta äkillinen kirstyminen vähennee loppukirstytyksen ja alkulöysäyksen aikana.
- Jos mahdollista, käytä tukivartta reaktiomomentin vaimentamiseen. Jos se ei ole mahdollista, suorissa työkaluissa ja pistoolikahvaisissa laitteissa suositellaan käytettäväksi sivukahvoja ja kulmamutterinvääntimissä reaktiotankoja. Suosituksena on käyttää aina jotakin tapaa reaktiomomentin vaimentamiseen yli 4 Nm:ssä (3 lbf.ft) suorissa työkaluissa, yli 10 Nm:ssä (7.5 lbf.ft) pistoolikahvaisissa työkaluissa ja yli 60 Nm:ssä (44 lbf.ft) kulmamutterinvääntimissä.
- Sormet voivat rumentua avoimissa crowfoot-mutterinvääntimissä.
- Älä käytä ahtaissa tiloissa: varo käsien joutumista puristukseen työkalun ja työstettävän kappaleen väliin etenkin irtikierrätessä.

Toistuvien liikkeiden aiheuttamat vaarat

- Kun sähkötyökalua käytetään työtehtävissä, käyttäjä saattaa tuntea epämukavuutta käsissä, käsivarsissa, hartioissa, niskassa ja muissa kehonosissa.
- Työskentele miellyttävässä mutta tukevassa asennossa ja vältä hankalia työasentoja ja epätasapainoa. Asennon vaihto pidempään kestävässä tehtävässä voi auttaa välttämään epämukavuutta ja väsymistä.
- Älä jätä oireita huomioimatta, kuten jatkuvaa tai toistuvaa epämukavuutta, kipua, pakotusta, särkyä, pistelyä, tunnottomuutta, polttavaa tunnetta tai jäykkyyttä. Keskeytä työkalun käyttö, kerro siitä työnantajalle ja ota yhteys lääkäriin.

Melu- ja värinävaarat

- Kovat äänet voivat aiheuttaa pysyviä kuulovaurioita ja muita ongelmia, kuten tinnitusta. Käytä työnantajan tai työterveys- ja työturvallisuusmääräysten suosittelemia kuulosuojaimia.
- Tärinälle altistuminen tai aiheuttaa vammauttavia vahinkoja hermoissa sekä käsien ja käsivarsien verenkierrossa. Pukeudu lämpimästi ja pidä kädet lämpiminä ja kuivina. Jos havaitset tunnottomuutta, pistelyä, kipua tai ihon kalpenemista, keskeytä työkalun käyttö, kerro siitä työnantajalle ja ota yhteys lääkäriin.
- Pidä työkalusta kiinni kevyesti mutta turvallisesti, sillä tärinästä aiheutuva riski on yleensä sitä voimakkaampaa, mitä kovemmalla voimalla työkalusta pidetään kiinni. Jos mahdollista, käytä tukivartta tai asenna sivukahva.
- Melu- ja värinätasojen tarpeettoman nousun välttäminen:
- Käytä ja huolla työkalua ja valitse, huolla ja vaihda varusteet ja lisätarvikkeet tämän käyttöohjeen mukaisesti.
- Älä käytä kuluneita tai huonosti istuvia ruuvinvääntimen teriä, hylsyjä tai jatkeita.

Työpaikkaan liittyvät vaarat

- Liukastuminen, kompastuminen tai kaatuminen voi johtaa vakavaan tapaturmaan tai kuolemaan. Varo lattialla tai työalustalla olevia letkuja.
- Vältä pölyn tai höyryjen hengittämistä ja työskentelyjätteiden käsittelemistä, jotka voivat aiheuttaa terveyshaittoja (esimerkiksi syöpää, vastasyntyneiden epämuodostumia, astmaa ja/tai ihotulehdusta (dermatiittia)). Käytä pölynpoistoa ja hengityssuojainta, kun työstettävistä materiaaleista irtoaa ilmaan hiukkasia.
- Jotkut hionnassa, sahauksessa, rouhinnassa, porauksessa ja muissa rakennustöissä syntyvät pölyt sisältävät kemikaaleja, jotka Kalifornian osavaltion mukaan aiheuttavat syöpää, synnynnäisiä epämuodostumia ja hedelmättömyyttä. Esimerkkejä tällaisista kemikaaleista:
 - lyijypohjaisista maaleista lähtöisin oleva lyijy
 - tiilistä, sementistä ja muista muurausaineista lähtöisin oleva kiteinen piidioksidi
 - kemiallisesti käsitellystä kumista lähtöisin oleva arsenikki ja kromi.

Altistumisen riski näille kemikaaleille riippuu siitä, kuinka usein teet tämänkaltaista työtä. Voit vähentää altistumista näille kemikaaleille seuraavasti: työskentele hyvin tuuletetussa tilassa ja käytä hyväksytyjä suojavälineitä, kuten hengityssuojaimia, jotka suodattavat mikroskooppisen pienet hiukkaset.

- Noudata erityistä varovaisuutta vieraassa työympäristössä. Tiedosta työskentelyn mahdollisesti aiheuttamat vaaratilanteet. Tätä työkalua ei ole eristetty suojaamaan sähkötapaturmilta sen koskettaessa sähkövirralähteitä.
- Työkalua ei suositella käytettäväksi mahdollisesti räjähdysalttiissa ympäristössä.

ⓘ Turvallisuuteen liittyviä lisätietoja kannettavista paineilmatyökaluista:

- CAGI 2528 - B186.1, SAFETY CODE FOR PORTABLE AIR TOOLS (Paineilmatyökalujen turvallisuussäännöstö), saatavilla Global Engineering Documents -organisaatiosta osoitteesta <https://global.ihs.com/> tai numerosta +1 800 447-2273. Jos ANSI-standardien saanti osoittautuu vaikeaksi, ota yhteys ANSI:in osoitteessa <https://www.ansi.org/>

Hyödyllistä tietoa

Käyttöturvallisuustiedote

Käyttöturvallisuustiedote kuvaa Chicago Pneumaticin myymiä kemikaalituotteita.

Katso lisätietoja Chicago Pneumaticin verkkosivustolta qr.cp.com/sds.

Alkuperäismaa

Hungary

Verkkosivusto

Tietoa yrityksemme tuotteista, lisälaitteista, varaosista ja julkaisuista on Chicago Pneumatic -sivustolla.

Käy osoitteessa: www.cp.com.

Copyright

© Copyright 2022, CHICAGO PNEUMATIC Tool Co.LLC, 1815 Clubhouse Road, Rock Hill, SC 29730 - USA

Kaikki oikeudet pidätetään. Sisällön tai sen osan luvaton käyttö tai kopiointi on kielletty. Se koskee erityisesti tavaramerkkejä, mallinimityksiä, osanumeroita ja piirustuksia. Käytä vain hyväksytyjä varaosia. Takuu tai tuotevastuu ei korvaa mitään vaurioita tai toimintahäiriöitä, jotka johtuvat muiden kuin hyväksytyjen varaosien käytöstä.

Τεχνικά δεδομένα

Στοιχεία εργαλείου

	Ελεύθερη ταχύτητα (rpm)	Βάρος (kg)	Βάρος (lb)
CP2810	2400	0.8	1.8
CP2811	750	0.9	2.0
CP2812	950	1.1	2.4
CP2814	1100	0.8	1.8

Πίνακας 3: Πιστόλι κατσαβίδι

- ⓘ** Η μέγιστη πίεση λειτουργίας σε ελεύθερη ταχύτητα είναι 6,3 bar / 90 psig.

	Ελεύθερη ταχύτητα (rpm)	Βάρος (kg)	Βάρος (lb)
CP2822	1300	0.9	2.0
CP2824	1500	0.9	2.0

Πίνακας 4: Ευθύ κατσαβίδι

- ⓘ** Η μέγιστη πίεση λειτουργίας σε ελεύθερη ταχύτητα είναι 6,3 bar / 90 psig.

Πρόσθετα εξαρτήματα

Για τα παρακάτω μοντέλα, πρέπει να χρησιμοποιείται μια πλευρική λαβή εάν η ροπή υπερβαίνει τα **10 Nm** για το πιστόλι κατσαβίδι και τα **4 Nm** για το ευθύ κατσαβίδι.

Μοντέλο	Αριθμός εξαρτήματος πλευρικής λαβής
CP2810	6151820079
CP2811	6151820079

Μοντέλο	Αριθμός εξαρτήματος πλευρικής λαβής
CP2812	6151820078
CP2822	6151820078

Δηλώσεις

Δήλωση Συμμόρφωσης ΕΕ

Εμείς, η CHICAGO PNEUMATIC Tool Co.LLC, 1815 Clubhouse Road, Rock Hill, SC 29730 - USA, δηλώνουμε με αποκλειστική ευθύνη μας ότι το προϊόν (με ονομασία, τύπο και σειριακό αριθμό, βλ. εξώφυλλο) συμμορφώνεται με την/τις παρακάτω Οδηγία/ες:

2006/42/EC

Ισχύοντα εναρμονισμένα πρότυπα:

EN 11148-6:2012

Οι αρχές μπορούν να ζητήσουν τις σχετικές τεχνικές πληροφορίες από:
Pascal Roussy, R&D Manager, Ets Georges Renault, 38 rue Bobby Sands, BP10273 44818 Saint Herblain, France

Saint-Herblain, 2022/05/25

Pascal ROUSSY

Υπογραφή εκδότη




Έγγραφο δήλωση επιπέδου θορύβου & δονήσεων

Στάθμη ήχου - ISO 15744

Μοντέλο	LpA dB(A)	LWA dB(A)
CP2810	83	94
CP2811	83	94
CP2812	82	93
CP2814	76	87
CP2822	83	94
CP2824	73	-

LpA dB(A): στάθμη ηχητικής πίεσης

LWA dB(A): στάθμη ηχητικής ισχύος

K / KpA = KWA = 3 dB: αβεβαιότητα

Στάθμη κραδασμών -ISO 28927-2

	ahd (m/s ²)	K (m/s ²)
Όλα τα μοντέλα	<2.5	-

ahd, ah: επίπεδα δόνησης

Οι τιμές που δηλώνονται εξακριβώθηκαν μέσω εργαστηριακών δοκιμών σε συνάρτηση με τα αναφερόμενα πρότυπα και μπορούν να χρησιμοποιηθούν για σύγκριση με τις δηλωμένες τιμές άλλων εργαλείων που υποβλήθηκαν σε δοκιμή σύμφωνα με τα ίδια πρότυπα. Οι τιμές που δηλώνονται δεν είναι κατάλληλες για χρήση σε υπολογισμούς εκτίμησης κινδύνου, καθώς οι τιμές μέτρησης σε μεμονωμένους χώρους εργασίας μπορεί να είναι υψηλότερες. Οι πραγματικές τιμές έκθεσης και οι κίνδυνοι σωματικής βλάβης, στους οποίους εκτίθεται ο μεμονωμένος χρήστης είναι μοναδικές και εξαρτώνται από τον τρόπο εργασίας του χρήστη, το αντικείμενο εργασίας και το σχεδιασμό της θέσης εργασίας καθώς και από το χρόνο έκθεσης και τη φυσική κατάσταση του χρήστη.

Εμείς, η **CHICAGO PNEUMATIC Tool Co.LLC**, δεν αναλαμβάνουμε καμία ευθύνη για τις συνέπειες που μπορεί να προκύψουν από τη χρήση των δηλωμένων τιμών, αντί για τιμές που αντιπροσωπεύουν την πραγματική έκθεση, για την αξιολόγηση κινδύνων σε χώρο εργασίας ο οποίος δεν βρίσκεται υπό τον έλεγχό μας.

Αυτό το εργαλείο μπορεί να προκαλέσει σύνδρομο χειρός-βραχίονα οφειλόμενο στους κραδασμούς αν δεν γίνει σωστή χρήση του. Μπορείτε να βρείτε έναν οδηγό ΕΕ για τη διαχείριση των δονήσεων χεριού-βραχίονα μεταβαίνοντας στη διεύθυνση <http://www.pneurop.eu/index.php> και επιλέγοντας "Tools" (Εργαλεία) και κατόπιν "Legislation" (Νομοθεσία).

Συνιστούμε την τήρηση προγράμματος ιατρικής παρακολούθησης, για να αναγνωρίζονται τυχόν αρχικά συμπτώματα που ενδέχεται να σχετίζονται με την έκθεση σε δονήσεις, έτσι ώστε να είναι δυνατή η τροποποίηση των διαδικασιών διαχείρισης και να αποτρέπεται η πρόκληση μελλοντικών σωματικών βλαβών.

- ⓘ** Αυτός ο εξοπλισμός προορίζεται για χρήση με σταθερές εφαρμογές:
Οι εκπομπές θορύβου παρέχονται στον υπεύθυνο για το στήσιμο του μηχανήματος, ως οδηγός. Τα στοιχεία εκπομπών θορύβου και δονήσεων για το μηχάνημα στην ολοκληρωμένη μορφή του θα πρέπει να παρέχονται στο εγχειρίδιο οδηγιών του μηχανήματος.

Πληροφορίες σχετικά με το Άρθρο 33 του κανονισμού REACH

Ο Ευρωπαϊκός Κανονισμός (ΕΕ) αριθ. 1907/2006 για την Καταχώριση, την Αξιολόγηση, την Αδειοδότηση και τους Περιορισμούς των Χημικών ουσιών (REACH) καθορίζει, μεταξύ άλλων, απαιτήσεις σχετικά με την επικοινωνία στην αλυσίδα εφοδιασμού. Η απαίτηση πληροφοριών ισχύει και για προϊόντα που περιέχουν τις λεγόμενες Άκρωσ Ανησυχαστικές Ουσίες («Κατάλογος Υποψηφίων»). Στις 27 Ιουνίου 2018 προστέθηκε στον Κατάλογο Υποψηφίων ο μεταλλικός μόλυβδος (CAS αριθ. 7439-92-1).

Σύμφωνα με τα ως άνω αναφερόμενα, αυτό σας ενημερώνει ότι ορισμένα μηχανικά εξαρτήματα στο προϊόν ενδέχεται να περιέχουν μεταλλικό μόλυβδο. Αυτό συμμορφώνεται με την ισχύουσα νομοθεσία περί περιορισμού ουσιών και βασίζεται σε νόμιμες εξαιρέσεις στην οδηγία RoHS (2011/65 / ΕΕ). Κατά τη διάρκεια της κανονικής χρήσης, ο μεταλλικός μόλυβδος δεν θα διαρρεύσει ή θα μεταλλαχθεί από το προϊόν και η συγκέντρωση του μεταλλικού μολύβδου στο πλήρες προϊόν είναι πολύ κάτω από το ισχύον όριο. Λάβετε υπόψη τις τοπικές απαιτήσεις σχετικά με τη διάθεση του μολύβδου στο τέλος του κύκλου ζωής του.

Περιφερειακές απαιτήσεις**⚠ ΠΡΟΕΙΔΟΠΟΙΗΣΗ**

Αυτό το προϊόν μπορεί να σας εκθέσει σε χημικές ουσίες, συμπεριλαμβανομένου του μολύβδου, ο οποίος είναι γνωστός στην πολιτεία της Καλιφόρνιας ότι προκαλεί καρκίνο και γενετικές ανωμαλίες ή άλλη αναπαραγωγική βλάβη. Για περισσότερες πληροφορίες επισκεφθείτε την ιστοσελίδα

<https://www.p65warnings.ca.gov/>

Ασφάλεια

Μην απορρίπτετε - δώστε στο χρήστη

⚠ ΠΡΟΕΙΔΟΠΟΙΗΣΗ Διαβάστε όλες τις προειδοποιήσεις ασφαλείας, τις οδηγίες, τα γραφικά και τις προδιαγραφές που παρέχονται με αυτό το προϊόν.

Σε περίπτωση που δεν ακολουθήσετε όλες τις παρακάτω οδηγίες ενδέχεται να προκληθεί ηλεκτροπληξία, πυρκαγιά, καταστροφή ιδιοκτησίας ή/ και σοβαρός τραυματισμός.

Φυλάξτε όλες τις προειδοποιήσεις και τις οδηγίες για να ανατρέξετε μελλοντικά σε αυτές.

⚠ ΠΡΟΕΙΔΟΠΟΙΗΣΗ Όλοι οι τοπικά θεσμοθετημένοι κανόνες ασφαλείας σχετικά με την εγκατάσταση, τη λειτουργία και τη συντήρηση, πρέπει να τηρούνται συνεχώς.

Δήλωση Χρήσης

- Αποκλειστικά για επαγγελματική χρήση.
- Αυτό το προϊόν και τα εξαρτήματά του δεν πρέπει να τροποποιηθούν με κανένα τρόπο.
- Μην χρησιμοποιείτε αυτό το προϊόν εάν έχει υποστεί ζημιά.
- Εάν τα δεδομένα του προϊόντος ή οι προειδοποιητικές ενδείξεις κινδύνου στο προϊόν παύσουν να είναι ευανάγνωστες ή αποσυνδεδεμένες, αντικαταστήστε χωρίς καθυστέρηση.
- Το προϊόν πρέπει να εγκαθίσταται, να λειτουργεί και να συντηρείται μόνο από πρόσωπα με τα κατάλληλα προσόντα σε βιομηχανικό περιβάλλον συναρμολόγησης.

Προβλεπόμενη χρήση

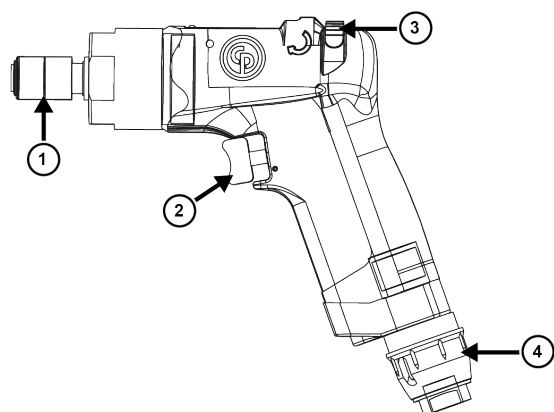
Το παρόν προϊόν σχεδιάστηκε για την τοποθέτηση και την αφαίρεση συνδετήρων με σπειρώματα σε ξύλο, μέταλλο ή πλαστικό. Μόνο για εσωτερική χρήση.

Δεν επιτρέπεται άλλη χρήση.

Η χρήση ανταλλακτικών ή εξαρτημάτων διαφορετικών από εκείνα που παρέχονται αρχικά από τον κατασκευαστή μπορεί να οδηγήσει σε πτώση της απόδοσης και σε αυξημένη συντήρηση, επίπεδο θορύβου ή κραδασμούς και ως αποτέλεσμα την πλήρη ακύρωση της ευθύνης του κατασκευαστή.

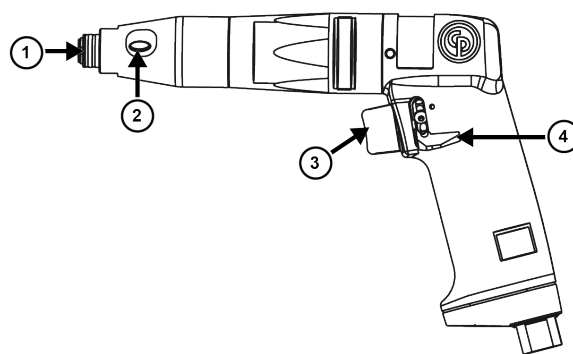
Ειδικές οδηγίες προϊόντος

Περιγραφή προϊόντος



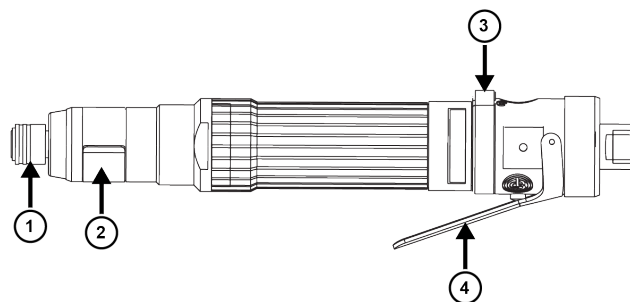
Εικόνα 12: CP2810 / CP2811 / CP2812

Αντικείμενο	Περιγραφή
1	Τσοκ γρήγορης αλλαγής
2	Σκανδάλη
3	Κουμπί αντίστροφης περιστροφής
4	Ρυθμιζόμενη έξοδος αέρα



Εικόνα 13: CP2814

Αντικείμενο	Περιγραφή
1	Τσοκ γρήγορης αλλαγής
2	Πρόσβαση ρύθμισης ροπής
3	Σκανδάλη
4	Κουμπί αντίστροφης περιστροφής



Εικόνα 14: CP2822 / CP2824

Αντικείμενο	Περιγραφή
1	Τσοκ γρήγορης αλλαγής
2	Πρόσβαση ρύθμισης ροπής
3	Κουμπί αντίστροφης περιστροφής
4	Σκανδάλη

Εγκατάσταση του εργαλείου

1. Στερεώστε καλά τα εξαρτήματα πάνω στο εργαλείο.
2. Συνδέστε τα εργαλεία όπως φαίνεται στην ενότητα Air diagram (σελίδα 4).

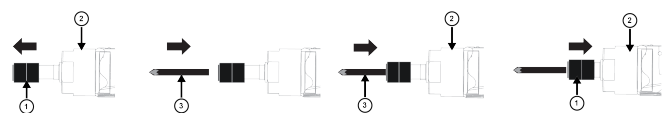
Εκκίνηση του εργαλείου

⚠ ΠΡΟΕΙΔΟΠΟΙΗΣΗ Κίνδυνοι χειρισμού

Πριν από την εκκίνηση του εργαλείου, βεβαιωθείτε ότι το εργαλείο είναι σωστά συνδεδεμένο με την παροχή πεπιεσμένου αέρα.

- Ελέγξτε την σύνδεση του πεπιεσμένου αέρα.
- Ανατρέξτε στο διάγραμμα αέρα.

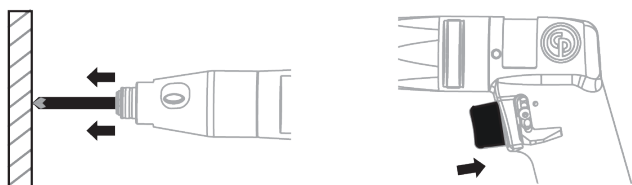
Εγκατάσταση του τρυπανιού



1. Τραβήξτε το τσοκ γρήγορης αλλαγής (1) από το εργαλείο (2).
2. Τοποθετήστε το τρυπάνι (3).
3. Εισάγετε το τρυπάνι (3) στο εργαλείο (2).
4. Σπρώξτε το τσοκ γρήγορης αλλαγής (1) στο εργαλείο (2).
5. Βεβαιωθείτε ότι το τσοκ γρήγορης αλλαγής (1) έχει τοποθετηθεί σωστά.

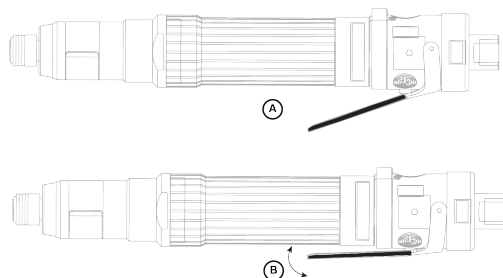
Πατώντας τη σκανδάλη

Για CP2810 / CP2811 / CP2812 / CP2814



Για να χειριστείτε το εργαλείο εκκίνησης (push-to-start):

1. Πατήστε το τρυπάνι με πίεση ενώ το εργαλείο λειτουργεί ενάντια στο αντικείμενο.
2. Πατήστε τη σκανδάλη του εργαλείου.

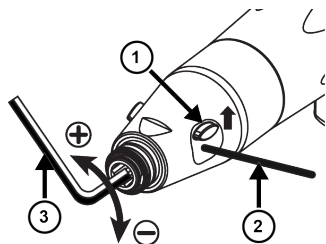


Εικόνα 15: CP2822 / CP2824

A	ΑΠΕΝΕΡΓΟΠΟΙΗΣΗ σκανδάλης
B	ΑΠΕΝΕΡΓΟΠΟΙΗΣΗ σκανδάλης

Ρύθμιση της ροπής στρέψης

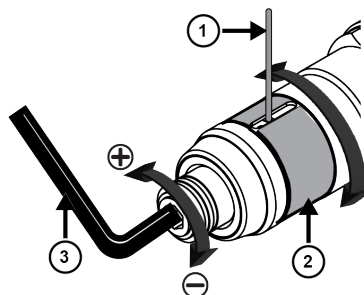
Για CP2812 / CP2814



1. Σύρετε το κάλυμμα πρόσβασης στη ρύθμιση ροπής (1) προς τα πάνω.

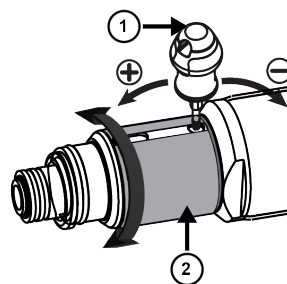
2. Τοποθετήστε ένα στέλεχος (2).
3. Τοποθετήστε το κλειδί allen (3) μεγέθους 6,35 mm για να ρυθμίσετε τη ροπή στρέψης.
4. Σύρετε το κάλυμμα πρόσβασης στη ρύθμιση ροπής (1) προς τα κάτω.

Για CP2822



1. Περιστρέψτε το κάλυμμα πρόσβασης ρύθμισης ροπής (2) για να αποκτήσετε πρόσβαση στην υποδοχή.
2. Τοποθετήστε ένα στέλεχος (1).
3. Τοποθετήστε το κλειδί allen (3) μεγέθους 6,35 mm για να ρυθμίσετε τη ροπή στρέψης.
4. Περιστρέψτε το κάλυμμα πρόσβασης ρύθμισης ροπής (2) στην αρχική του θέση.

Για CP2824



1. Περιστρέψτε το κάλυμμα πρόσβασης ρύθμισης ροπής (2) για να αποκτήσετε πρόσβαση στην υποδοχή.
2. Τοποθετήστε το κατσαβίδι ρύθμισης του σφιγκτήρα (1) για να ρυθμίσετε τη ροπή στρέψης.
3. Περιστρέψτε το κάλυμμα πρόσβασης ρύθμισης ροπής (2) στην αρχική του θέση.

Γενικές Οδηγίες για την Ασφάλεια

Παροχή αέρα και κίνδυνοι σύνδεσης

- Ο πεπιεσμένος αέρας μπορεί να προκαλέσει σοβαρό τραυματισμό.
- Κλείνετε πάντοτε την παροχή αέρα, αποστραγγίστε τον εύκαμπτο σωλήνα από πεπιεσμένο αέρα και αποσυνδέστε το εργαλείο από την παροχή αέρα όταν δεν το χρησιμοποιείτε, πριν να αλλάξετε εξαρτήματα ή όταν πραγματοποιείτε επισκευές.
- Ποτέ μην κατευθύνετε αέρα επάνω σε εσάς ή σε οποιονδήποτε άλλο.

- Οι εκτινασόμενοι σωλήνες μπορούν να προκαλέσουν σοβαρό τραυματισμό. Ελέγχετε πάντοτε για εύκαμπτους σωλήνες και συνδέσμους με ζημία ή χαλάρωση.
- Μην χρησιμοποιείτε συνδέσμους γρήγορης αποσύνδεσης σε αυτό το εργαλείο. Για σωστή ρύθμιση, ανατρέξτε στις οδηγίες.
- Όταν χρησιμοποιείτε διασπαστικούς συνδέσμους συστροφής, θα πρέπει να εγκαθιστάτε πείρους ασφαλείας.
- Μην υπερβαίνετε τη μέγιστη πίεση αέρα 6,3 bar / 90 psig, ή εκείνη που ορίζεται στην πινακίδα στοιχείων του εργαλείου.

Κίνδυνοι εμπλοκής

- Μην πλησιάζετε στον περιστρεφόμενο μηχανισμό κίνησης. Είναι δυνατό να επέλθει πνιγμός, αφαίρεση τριχωτού της κεφαλής ή/ και σχισίματα αν χαλαρά ρούχα, γάντια, κοσμήματα, κολιέ και μαλλιά δε διατηρηθούν μακριά από το εργαλείο και τα εξαρτήματά του.
- Τα γάντια μπορούν να εμπλακούν στον περιστρεφόμενο οδηγό, προκαλώντας αποκοπή ή σπάσιμο δακτύλων.
- Οι περιστρεφόμενες κινούμενες υποδοχές ή προεξοχές είναι δυνατό να γραπώσουν εύκολα τα γάντια με ελαστική επένδυση ή μεταλλική ενίσχυση.
- Μην φοράτε χαλαρά γάντια ή γάντια με κομμένα ή ξεφτισμένα δάχτυλα.
- Μην κρατάτε ποτέ τον οδηγό, την υποδοχή ή την προεξοχή του οδηγού.

Κίνδυνοι από θραύσματα

- Φοράτε πάντα γυαλιά και μάσκα προσώπου ανθεκτικά σε κρούσεις όταν συμμετέχετε στη λειτουργία ή είστε κοντά σε λειτουργίες επισκευών ή συντήρησης του εργαλείου, ή όταν αντικαθιστάτε παρελκόμενα στο εργαλείο. Συνιστώνται γάντια και προστατευτικός ρουχισμός.
- Βεβαιωθείτε ότι όλα τα υπόλοιπα άτομα στο χώρο φορούν ανθεκτικό στην κρούση προστατευτικό εξοπλισμό για τα μάτια και το πρόσωπο. Ακόμη και μικρά θραύσματα μπορούν να τραυματίσουν τα μάτια και να προκαλέσουν τύφλωση.
- Μπορεί να συμβεί σοβαρός τραυματισμός από υπερβολικά σφιγμένους ή ελάχιστα σφιγμένους συνδετήρες, οι οποίοι μπορούν να ραγίσουν, να χαλαρώσουν ή να χωριστούν στη μέση. Τυχόν απελευθερωμένα συγκροτήματα μπορεί να εκτοξευτούν. Τα συστήματα που απαιτούν σύσφιξη σε συγκεκριμένη τιμή ροπής στρέψης, πρέπει να ελέγχονται με τη βοήθεια δυναμομετρικού κλειδιού.

ΣΗΜΕΙΩΣΗ Τα δυναμομετρικά κλειδιά τύπου «κλικ» δεν ελέγχουν για ενδεχομένως επικίνδυνες καταστάσεις υπερβολικής σύσφιξης.

- Μην χρησιμοποιείτε υποδοχές που τοποθετούνται με το χέρι. Χρησιμοποιείτε μόνο υποδοχές σε καλή κατάσταση που τοποθετούνται ηλεκτρικά ή με πρόσκρουση.
- Φροντίστε το αντικείμενο εργασίας να στερεώνεται με ασφάλεια.

Κίνδυνοι χειρισμού

- Αποσυνδέστε την παροχή αέρα πριν από την χρήση του παρελκόμενου κατσαβιδιού ή της υποδοχής, πριν από τη ρύθμιση του συμπλέκτη ή την αποσυναρμολόγηση του εργαλείου.
- Οι χειριστές και το προσωπικό συντήρησης πρέπει να είναι φυσικά ικανό να χειρίζεται τον όγκο, βάρος και δύναμη του εργαλείου.
- Να κρατάτε το εργαλείο σωστά: να είστε έτοιμοι να αντισταθμίσετε τις φυσιολογικές ή τις ξαφνικές μετακινήσεις - έχετε ελεύθερα και τα δύο σας χέρια.
- Αμέσως μόλις προσαρμόσετε το συμπλέκτη, ελέγξτε ως προς τη σωστή λειτουργία.
- Να μην χρησιμοποιείτε με μειωμένη πίεση αέρα ή σε φθαρμένη κατάσταση. ενδέχεται να μη λειτουργήσει ο συμπλέκτης, προκαλώντας απότομη περιστροφή της λαβής του εργαλείου.
- Να υποστηρίζετε πάντοτε με ασφάλεια τη λαβή του εργαλείου, με κατεύθυνση αντίθετα προς την κατεύθυνση περιστροφής του άξονα, προκειμένου να ελαττώνεται η επίδραση μιας απότομης αντίδρασης ροπής κατά τη διάρκεια της τελικής σύσφιξης και της αρχικής χαλάρωσης.
- Αν είναι δυνατό, χρησιμοποιήστε ένα βραχίονα ανάρτησης για να απορροφήσει την αντίδραση στρέψης. Αν αυτό δεν είναι δυνατό, οι πλαϊνές λαβές συνιστώνται για τα εργαλεία με ευθύ περίβλημα και με λαβή πιστολιού· οι ράβδοι αντίδρασης συνιστώνται για τους γωνιακούς συστροφείς παξιμαδιών. Σε κάθε περίπτωση, συνιστάται να χρησιμοποιήσετε ένα μέσο για την απορρόφηση της ροπής στρέψης αντίδρασης που υπερβαίνει τα 4 Nm (3 lbf.ft) για τα εργαλεία με ευθύ περίβλημα, που υπερβαίνει τα 10 Nm (7,5 lbf.ft) για τα εργαλεία με λαβή πιστολιού και που υπερβαίνει τα 60 Nm (44 lbf.ft) για τους γωνιακούς συστροφείς παξιμαδιών.
- Είναι δυνατό να πιαστούν τα δάχτυλά σας σε συστροφείς παξιμαδιών τύπου γαλλικού κλειδιού ανοιχτού άκρου.
- Να μην χρησιμοποιείτε το εργαλείο σε κλειστούς χώρους. Προσέχετε για να αποφύγετε τη σύνθλιψη των χεριών σας ανάμεσα στο εργαλείο και το υπό επεξεργασία αντικείμενο, Ιδιαίτερα όταν ξεβιδώνετε.

Κίνδυνοι από επαναλαμβανόμενη κίνηση

- Όταν χρησιμοποιείτε ένα εργαλείο για την εκτέλεση δραστηριοτήτων που σχετίζονται με την εργασία, ο χειριστής είναι δυνατό να νιώσει δυσκολία στα χέρια, τους βραχίονες, τους ώμους, τον αυχένα ή σε άλλες περιοχές του σώματος.
- Λάβετε άνετη στάση σώματος, πατώντας καλά στο έδαφος και αποφεύγοντας τις αδέξιες κινήσεις ή την απώλεια της ισορροπίας. Η εναλλαγή στάσεων κατά τις εργασίες με μεγάλη διάρκεια μπορεί να σας βοηθήσει να αποφύγετε την αίσθηση δυσκολίας και κόπωσης.
- Μην αγνοήσετε συμπτώματα, όπως την επίμονη ή επαναλαμβανόμενη δυσκολία, τρεμούλα, πιάσιμο, μυρμηκίαση, μούδιασμα, κάψιμο ή πιάσιμο. Σταματήστε τη χρήση του εργαλείου, ενημερώστε τον εργοδότη σας και ζητήστε ιατρική συμβουλή.

Κίνδυνοι από το θόρυβο και τις δονήσεις

- Οι υψηλές στάθμες θορύβων μπορεί να προκαλέσουν μόνιμη απώλεια ακοής και άλλα προβλήματα, όπως εμβοές. Χρησιμοποιείτε προστατευτικά για τα αυτιά όπως συνιστάται από τον εργοδότη σας ή τους κανονισμούς υγείας και ασφαλείας του χώρου εργασίας.
- Η έκθεση σε δονήσεις μπορεί να προκαλέσει βλάβες στο νευρικό σύστημα και στην παροχή αίματος στα χέρια και τα μπράτσα. Φοράτε ζεστά ρούχα και διατηρείτε τα χέρια σας ζεστά και στεγνά. Εάν παρουσιαστεί μούδιασμα, μυρμηκίαση ή άσπρισμα του χρώματος του δέρματος, σταματήστε τη χρήση του εργαλείου, ενημερώστε τον εργοδότη σας και συμβουλευτείτε έναν ιατρό.
- Κρατάτε το εργαλείο με ελαφριά αλλά ασφαλή λαβή, επειδή ο κίνδυνος από τη δόνηση είναι γενικά μεγαλύτερος όσο μεγαλύτερη είναι η δύναμη της λαβής. Αν είναι δυνατό, χρησιμοποιήστε ένα βραχίονα ανάρτησης ή τοποθετήστε μία πλαϊνή λαβή.
- Για να αποφύγετε μη αναγκαίες αυξήσεις των επιπέδων θορύβου και δονήσεων:
- Θέστε σε λειτουργία και διατηρήστε το εργαλείο και επιλέξτε, διατηρήστε και αντικαταστήστε τα εξαρτήματα και τα αναλώσιμα, σύμφωνα με το παρόν εγχειρίδιο οδηγιών,
- Μην χρησιμοποιείτε φθαρμένες μύτες κατσαβιδιού, υποδοχές ή προεκτάσεις ή που να μην εφαρμόζουν καλά.

Κίνδυνοι στο χώρο εργασίας

- Ολισθήσεις (γλιστρήματα) / σκουντουφήματα / πτώσεις, αποτελούν κύριες αιτίες σοβαρού τραυματισμού ή θανάτου. Προσέχετε τον περισσευούμενο εύκαμπτο σωλήνα που αφήνεται στην επιφάνεια βάδισης ή εργασίας.
- Μην εισπνέετε σκόνη ή αναθυμιάσεις και μην χειρίζεστε απόβλητα της διαδικασίας εργασίας, τα οποία είναι δυνατό να προκαλέσουν προβλήματα υγείας (π.χ. καρκίνο, συγγενείς ανωμαλίες, άσθμα ή/ και δερματίτιδες). Χρησιμοποιήστε εξοπλισμό εξώθησης σκόνης και προστατευτικό αναπνευστικό εξοπλισμό όταν εργάζεστε με υλικά τα οποία παράγουν αερομεταφερόμενα σωματίδια.
- Η σκόνη που παράγεται από αμμοβολή, πριόνισμα, λείανση (τρόχισμα), διάτρηση και άλλες κατασκευαστικές δραστηριότητες με ηλεκτρικά ή πνευματικά εργαλεία περιέχει χημικές ουσίες γνωστές στην Πολιτεία της Καλιφόρνια για πρόκληση καρκίνου ή γενετικών ανωμαλιών (συγγενών διαμαρτιών διαπλάσεων) ή άλλες αναπαραγωγικές βλάβες. Ορισμένα παραδείγματα αυτών των χημικών ουσιών είναι τα εξής:
 - Μόλυβδος από βαφές με βάση μόλυβδο
 - Τούβλα κρυσταλλικής σιλικόνης και τσιμέντου καθ'άλλα προϊόντα τοιχοποιίας
 - Αρσενικό και χρώμιο από χημικά επεξεργασμένο καουτσούκ

Ο κίνδυνος που διατρέχετε από αυτές τις εκθέσεις ποικίλει, ανάλογα με το πόσο συχνά κάνετε αυτό τον τύπο εργασίας. Για τη μείωση της έκθεσής σας σ' αυτές

τις χημικές ουσίες: εργάζεστε σε καλά αεριζόμενο χώρο και εργάζεστε με εγκεκριμένο εξοπλισμό ασφαλείας, όπως με μάσκες για τη σκόνη που είναι ειδικά σχεδιασμένες να φιλτράρουν μικροσκοπικά σωματίδια.

- Συνεχίστε με προσοχή σε περιβάλλοντα με τα οποία δεν είστε εξοικειωμένος/η. Να έχετε επίγνωση των ενδεχόμενων κινδύνων που δημιουργούνται από την εργασιακή σας δραστηριότητα. Αυτό το εργαλείο δεν είναι μονωμένο για περιπτώσεις επαφής με πηγές ηλεκτρικής ενέργειας.
- Αυτό το εργαλείο δεν συνιστάται για χρήση σε δυνητικά εκρηκτικές ατμόσφαιρες.

 ⓘ Πρόσθετες πληροφορίες ασφαλείας σχετικά με φορητά αεροεργαλεία:

- CAGI 2528 - B186.1, ΚΩΔΙΚΟΣ ΑΣΦΑΛΕΙΑΣ ΓΙΑ ΑΕΡΟΕΡΓΑΛΕΙΑ, διαθέσιμο από τα Παγκόσμια Έγγραφα Μηχανικής στη διεύθυνση <https://global.ihs.com/> ή τηλεφωνήστε στο +1 800 447-2273. Στην περίπτωση που δεν μπορέσετε να βρείτε τα πρότυπα ANSI, επικοινωνήστε με την ANSI μέσω της ηλεκτρονικής διεύθυνσης <http://www.ansi.org/>

Χρήσιμες πληροφορίες**Δελτίο δεδομένων ασφαλείας**

Τα δελτία δεδομένων ασφαλείας περιγράφουν τα χημικά προϊόντα που πωλούνται από την Chicago Pneumatic.

Ανατρέξτε στον Chicago Pneumatic ιστότοπο για περισσότερες πληροφορίες qr.cp.com/sds.

Χώρα προέλευσης

Hungary

Διαδικτυακός τόπος

Πληροφορίες σχετικά με τα Προϊόντα, τα Εξαρτήματά, τα Ανταλλακτικά και τα Δημοσιευμένα θέματα μας βρίσκονται στον ιστότοπο Chicago Pneumatic .

Παρακαλούμε επισκεφθείτε: www.cp.com.

Πνευματικά δικαιώματα

© Copyright 2022, CHICAGO PNEUMATIC Tool Co.LLC, 1815 Clubhouse Road, Rock Hill, SC 29730 - USA

Με την επιφύλαξη παντός δικαιώματος. Απαγορεύεται κάθε μη εξουσιοδοτημένη χρήση ή αντιγραφή των περιεχομένων ή μέρους τους. Αυτό ισχύει ιδίως για τα εμπορικά σήματα, τις επωνυμίες μοντέλων, τους αριθμούς ανταλλακτικών και τα σχεδιαγράμματα. Χρησιμοποιείτε μόνο εγκεκριμένα ανταλλακτικά. Οποιαδήποτε ζημία ή δυσλειτουργία λόγω μη εγκεκριμένων ανταλλακτικών δεν καλύπτεται από την Εγγύηση ή την Ευθύνη για τα Προϊόντα.

Tekniska data

Verktygsdata

	Tomgångsvarvtal (varv/min)	Vikt (kg)	Vikt (lb)
CP2810	2400	0.8	1.8
CP2811	750	0.9	2.0
CP2812	950	1.1	2.4
CP2814	1100	0.8	1.8

Tabell 3: Skruvdragare med pistolgrepp

ⓘ Max. arbetstryck vid tomgångsvarvtal är 6,3 bar (90 psig).

	Tomgångsvarvtal (varv/min)	Vikt (kg)	Vikt (lb)
CP2822	1300	0.9	2.0
CP2824	1500	0.9	2.0

Tabell 4: Rak skruvdragare

ⓘ Max. arbetstryck vid tomgångsvarvtal är 6,3 bar (90 psig).

Ytterligare tillbehör

För de nedanstående modellerna måste ett sidohandtag användas om momentet överstiger **10 Nm** för skruvdragare med pistolgrepp och **4 Nm** för raka skruvdragare.

Modell	Sidohandtag, artikelnummer
CP2810	6151820079
CP2811	6151820079

Modell	Sidohandtag, artikelnummer
CP2812	6151820078
CP2822	6151820078

Deklarationer

EU-försäkran om överensstämmelse

Vi, **CHICAGO PNEUMATIC Tool Co.LLC**, 1815 Clubhouse Road, Rock Hill, SC 29730 - USA, försäkrar under eget ansvar att produkten (med namn, typ och serienummer, se framsida) uppfyller följande direktiv:

2006/42/EC

Tillämpade harmoniserade standarder:
EN 11148-6:2012



Myndigheter kan begära relevant teknisk information från:
Pascal Roussy, R&D Manager, Ets Georges Renault, 38 rue Bobby Sands, BP10273 44818 Saint Herblain, France

Saint-Herblain, 2022/05/25

Pascal ROUSSY

Utfärdarens underskrift

Meddelande om buller och vibrationer

Ljudnivå – ISO 15744

Modell	LpA dB(A)	LWA dB(A)
CP2810	83	94
CP2811	83	94
CP2812	82	93
CP2814	76	87
CP2822	83	94
CP2824	73	-

LpA dB(A): ljudtrycksnivå

LWA dB(A): ljudeffektsnivå

K / KpA = KWA = 3 dB: osäkerhet

Vibrationsnivå – ISO 28927-2

	ahd (m/s ²)	K (m/s ²)
Alla modeller	<2.5	-

ahd, ah: vibrationsnivå

Dessa deklarerade värden har erhållits genom laboratorietester i enlighet med angivna direktiv eller standarder och är lämpliga att jämföra med deklarerade värden för andra maskiner som testats i enlighet med samma direktiv eller standarder. Värdena kan inte användas för riskbedömning och värden som uppmäts på individuella arbetsplatser kan vara högre. De faktiska exponeringsvärdena och de skaderisker som en enskild användare utsätts för är unika och beror på personens arbetssätt, i vilket material maskinen används, användarens exponeringstid och fysiska kondition samt maskinens skick.

Vi på **CHICAGO PNEUMATIC Tool Co.LLC** kan inte hållas ansvarsskyldiga för konsekvenserna av att använda de angivna värdena istället för värden som återspeglar den faktiska exponeringen vid en individuell riskbedömning på en arbetsplats över vilken vi inte har någon kontroll.

Detta verktyg kan orsaka hand-armvibrationssyndrom om det inte används korrekt. En EU-guide för hantering av hand- och armvibrationer återfinns på webbplatsen <http://www.pneurop.eu/index.php> under Verktyg och sedan Lagsiftning.

För att förebygga eventuella framtida åkommor rekommenderar vi att hälsokontroller genomförs för att upptäcka tidiga symptom som kan bero på vibrationsrelaterade arbetssuppgifter.

- ❗ Om denna utrustning är avsedd för fixerade tillämpningar:
Ljudemissionerna anges som vägledning för maskinbyggaren. Ljud- och vibrationsemissionsdata för hela maskinen skall anges i instruktionshandboken till maskinen.

Information om Artikel 33 i REACH

EU-förordning (EG) nr. 1907/2006 om registrering, utvärdering, godkännande och begränsning av kemikalier (Reach) anger bland annat krav rörande kommunikation i leveranskedjan. Informationskraven gäller även för produkter som innehåller så kallade Särskilt farliga ämnen ("Kandidatförteckningen"). Den 27 juni 2018 blev blymetall (CAS-nr. 7439-92-1) tillagt i Kandidatförteckningen.

I enlighet med informationen ovan har detta meddelande som syfte att informera dig om att vissa mekaniska komponenter i produkten kan innehålla blymetall. Detta är i enlighet med rådande begränsningslagstiftning för specifika ämnen och baseras på undantag i RoHS-förordningen (2011/65/EU). Blymetall kommer inte att läcka eller förändras från eller i produkten vid normal användning och koncentrationen blymetall i den färdiga produkten ligger långt under gällande gränsvärden. Kom ihåg att kontrollera lokala krav för bly när produkten ska avfallshanteras.

Regionala krav

⚠️ WARNING

Denna produkt kan utsätta dig för kemikalier inklusive bly, som är känd för staten Kalifornien för att orsaka cancer och fosterskador och annan reproduktiv skada. För mer information gå in på

<https://www.p65warnings.ca.gov/>

Säkerhet

KASSERA EJ – GE TILL ANVÄNDAREN

⚠️ WARNING Läs alla säkerhetsföreskrifter, instruktioner, illustrationer och specifikationer som medföljer produkten.

Om alla anvisningar nedan inte efterföljs finns risk för elchock, brand, svåra personskador och/eller skador på egendom.

Spara alla varningar och instruktioner för framtida bruk.

⚠️ WARNING Alla lokala säkerhetsföreskrifter avseende installation, drift och underhåll skall alltid åtföljas.

Användningsintyg

- Endast för yrkesmässigt bruk.
- Denna produkt och medföljande tillbehör får inte modifieras på något sätt.

- Använd inte denna produkt om den har skadats.
- Om produktuppgifterna eller varningsskyltarna på produkten inte är läsbara eller lossnar ska de bytas omedelbart.
- Produkten får endast installeras, användas och servas av behöriga personer i en miljö för industriellt bruk.

Avsedd användning

Produkten är utformad för att sätta i och avlägsna gängade fästelement i trä, metall eller plast. Endast inomhusbruk.

Ingen annan användning är tillåten.

Användning av andra reservdelar än de som ursprungligen levererats av tillverkaren kan medföra försämrad prestanda eller ökat underhåll, buller eller vibrationer, och sådan användning innebär att tillverkarens ansvar upphör helt.

Produktspecifika anvisningar

Produktbeskrivning

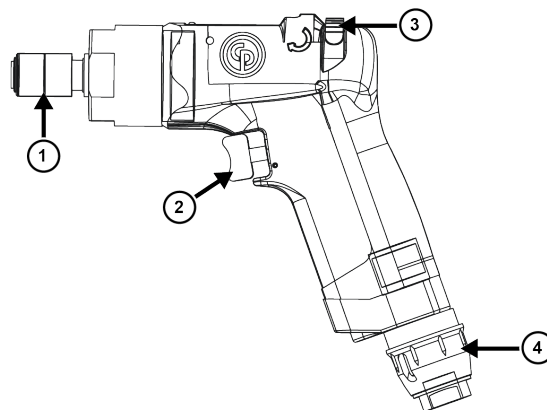


Illustration 12: CP2810 / CP2811 / CP2812

Artikel	Beskrivning
1	Snabbchuck
2	Tryckreglage
3	Knapp för byte av rotationsriktning
4	Justerbart luftutsläpp

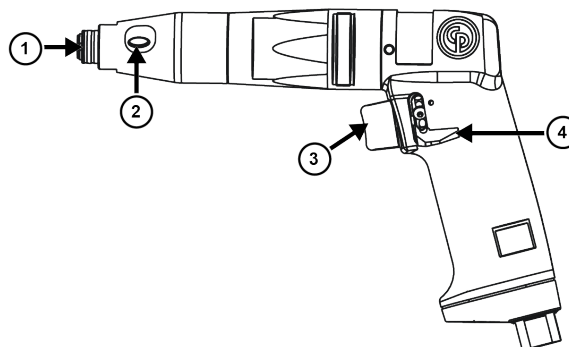


Illustration 13: CP2814

Artikel	Beskrivning
1	Snabbchuck
2	Momentjusteringsåtkomst
3	Tryckreglage
4	Knapp för byte av rotation-siktning

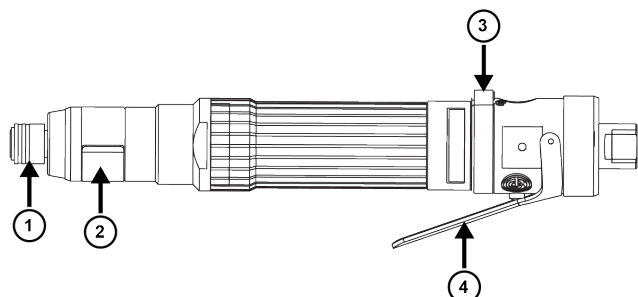


Illustration 14: CP2822 / CP2824

Artikel	Beskrivning
1	Snabbchuck
2	Momentjusteringsåtkomst
3	Knapp för byte av rotation-siktning
4	Tryckreglage

Installera verktyget

1. Montera tillbehören ordentligt på verktyget.
2. Anslut verktygen så som visas i sektion Air diagram [sida 4].

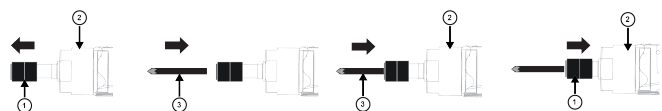
Starta verktyget

⚠ VARNING Risker vid användning

Innan du startar verktyget måste du se till att verktyget är korrekt anslutet till trycklufttillförseln.

- Kontrollera tryckluftanslutningen.
- Se luftdiagrammet.

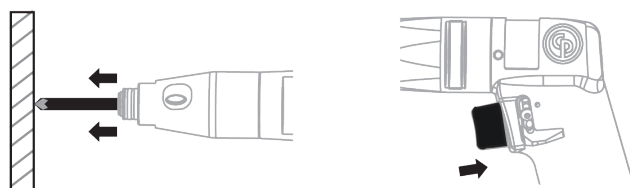
Installera bitset



1. Dra snabbchucken (1) från verktyget (2).
2. Positionera bitset (3).
3. Sätt in bitset (3) i verktyget (2).
4. Tryck snabbchucken (1) mot verktyget (2).
5. Se till att snabbchucken (1) är korrekt installerad.

Trycka på trycket-

För CP2810 / CP2811 / CP2812 / CP2814



Så här gör du för att använda tryckstarta verktyget:

1. Anbringa tryck på bitset medan verktyget är i drift mot föremålet.
2. Tryck på verktygets trycke.

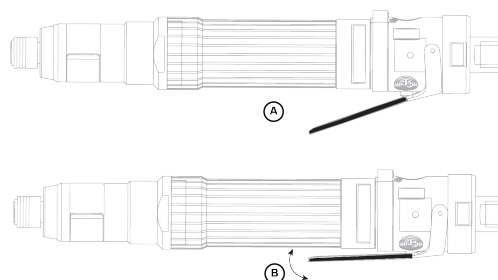
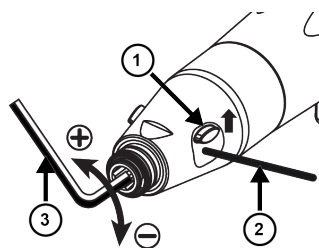


Illustration 15: CP2822 / CP2824

A	Trycke AV
B	Trycke PÅ

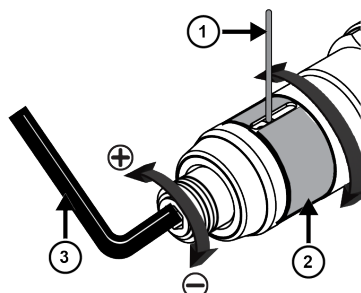
Justera momentet

För CP2812/CP2814



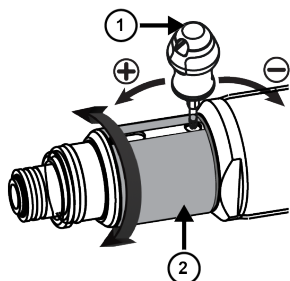
1. Skjut åtkomstluckan (1) för momentjustering uppåt.
2. Sätt i en stam (2).
3. Sätt i en insexnyckel (3) med storlek 6,35 mm för att justera momentet.
4. Skjut åtkomstluckan (1) för momentjustering nedåt.

För CP2822



1. Rotera åtkomstluckan (2) för momentjustering för att komma åt springan.
2. Sätt i en stam (1).
3. Sätt i en insexnyckel (3) med storlek 6,35 mm för att justera momentet.
4. Rotera åtkomstluckan (2) för momentjustering till dess ursprungsläge.

För CP2824



1. Rotera åtkomstluckan (2) för momentjustering för att komma åt springan.
2. Sätt in kopplingen som ställer in skruvdragaren (1) för att justera momentet.
3. Rotera åtkomstluckan (2) för momentjustering till dess ursprungsläge.

Allmänna säkerhetsföreskrifter

Risker med försörjning och anslutning av tryckluft

- Trycksatt luft kan orsaka allvarlig skada.
- Stryp alltid lufttillförseln, eliminera trycket i slangarna och koppla bort verktyget från tryckluftskällan när det inte används, före utbyte av tillbehör och vid reparation.
- Rikta aldrig luftstrålen mot dig själv eller andra.
- Snärtande slangar kan orsaka svåra skador. Kontrollera alltid om slangar eller kopplingar är skadade eller lösa.
- Använd inte snabbkopplingar vid verktyget. Se anvisningarna för korrekt montering.
- Om universalvridkopplingar används måste låstappar finnas.
- Låt inte lufttrycket överstiga 6,3 bar/90 psi, eller det tryck som anges på verktygets märkplåt.

Risker förknippade med att fastna i rörliga delar

- Håll dig undan från en roterande drivning. Kvävning, skalpering och/eller skärsår kan uppstå om löshängande kläder, handskar, smycken, halsband och hår inte hålls borta från verktyg och tillbehör.
- Handskar kan fastna i den roterande drivningen och orsaka avkapade eller brutna fingrar.
- Roterande drivhylsor och drivförlängningar kan lätt fastna i gummi- eller metallförstärkta handskar.
- Bär inte löst sittande handskar eller handskar med fransiga eller trasiga fingrar.
- Håll aldrig i drivningen, hylsan eller drivningens förlängning.

Kringflygande föremål

- Använd alltid slagtåliga ögon- och ansiktsskydd om du arbetar med eller uppehåller dig i närheten av verktyg som används, repareras eller underhålls eller verktygstillbehör som byts ut. Handskar och skyddskläder rekommenderas.
 - Se till att alla andra som uppehåller sig i närheten använder slagtåliga ögon- och ansiktsskydd. Även små föremål som kastas iväg kan skada ögonen och orsaka blindhet.
 - Allvarliga personskador kan uppstå från över- eller underåtdragna fästen, som kan gå sönder, frigöras och lossna. Lösgjorda förband kan bli projektiler. Montering som kräver ett visst vridmoment måste kontrolleras med en vridmomentmätare.
- OBS: Så kallade "klick"-momentnycklar kontrollerar inte potentiellt farlig överåtdragning.
- Använd inte handverktygshylsor. Använd endast hylsor för motor- och slagdrift i gott skick.
 - Säkerställ att arbetsstycket är säkert fastspänt.

Risker vid användning

- Frånkoppla lufttillförseln före hantering av skruvmejselskär eller -uttag, justering av koppling eller demontering av verktyget.
- Operatörer och underhållspersonal måste fysiskt kunna hantera verktygets massa, vikt och styrka.
- Håll verktyget rätt: var redo att stå emot normala eller plötsliga rörelser - ha båda händerna redo.
- Så snart du justerat kopplingen ska du kontrollera att den fungerar rätt.
- Använd inte med för lite lufttryck eller om den är nött: det kan hända att kopplingen inte fungerar vilket resulterar i plötslig rotation av handtaget.
- Stöd alltid verktygshandtaget stadigt i motsatt riktning mot spindelrotationen för att minska effekten av en plötslig momentreaktion under slutlig åtdragning och inledande lossning.
- Använd om möjligt en upphängningsarm för att ta upp vridmomentsreaktionen. Om det inte är möjligt, rekommenderas sidohandtag på verktyg med raka maskinhus och med pistolhandtag; mothåll rekommenderas för vinklade mutterdragare. Under alla förhållanden rekommenderas att använda något som tar upp vridmomentsreaktionen över 4 Nm (3 lbf.ft) för verktyg med raka maskinhus, över 10 Nm (7.5 lbf.ft) för verktyg med pistolhandtag och över 60 Nm (44 lbf.ft) för vinklade mutterdragare.
- Fingrar kan krossas i öppna muttervridare med hanfot.
- Använd inte verktyget i ett instängt utrymme: se till att händerna inte kommer i kläm mellan verktyget och föremålet som det arbetas med, särskilt när man skruvar löst.

Faror vid repetitiva rörelser

- Vid användning av motordrivna verktyg för att utföra arbetsrelaterade aktiviteter, kan operatören uppleva obehag i händer, armar, axlar, nacke eller andra kroppsdelar.

- Inta en bekväm ställning med fötterna stadigt på underlaget och undvik ställningar som är obekväma eller där du kan tappa balansen. Att ändra ställning under längre arbetspass kan hjälpa till att undvika obehag och utmattning.
- Ignorera inte symptom som ihållande eller återkommande obehag, smärta, dunkningar, värk, stickningar, domningar, brännande känsla eller stelhet. Lägg ifrån dig verktyget, prata med din arbetsgivare och besök läkare.

Buller- och vibrationsrisker

- Höga ljudnivåer kan orsaka permanent hörsel förlust och andra problem, t.ex. tinnitus. Använd hörselskydd som rekommenderas av din arbetsgivare eller via arbetsskydds- och hälsoregler.
- Exponering för vibrationer kan skada nerverna och stoppa blodflödet till händerna och armarna. Bär varma kläder och håll händerna varma och torra. Om någon del av kroppen domnar, somnar, smärtar eller vitnar ska du sluta använda verktyget och tala med din arbetsgivare och söka läkarhjälp.
- Håll verktyget i ett lätt men säkert grepp, eftersom risken för vibrationer är större om greppkraften är större. Använd om möjligt en upphängningsarm eller montera ett sidohandtag.
- För att förebygga onödiga ökning av buller- och vibrationsnivåer:
- Hantera och underhåll verktyget och välj, underhåll och byt tillbehör eller slitagedelar i enlighet med instruktionshandboken;
- Använd inte bits, hylsor och förlängningar som är slitna eller inte passar ordentligt.

Arbetsplatsrisker

- Om en person halkar/snubblar/faller kan allvarliga personskador eller dödsfall inträffa. Var medveten om över-skjutande slang som ligger kvar på gång- och arbetsytor.
- Undvik inandning av damm eller rök eller hantering av skräp från arbetsprocessen som kan orsaka ohälsa (t ex cancer, fosterskador, astma och/eller hudexem). Använd utsug och andningsskydd när du arbetar med material som skapar luftburna partiklar.
- En del damm som skapas av motorblästring, -sågning, -polering, -borrning och andra konstruktionsaktiviteter innehåller kemikalier som i delstaten Kalifornien anses orsaka cancer och fosterskador eller andra reproduktiva skador. Några exempel på dessa kemikalier är:
 - Bly från blybaserad målarfärg
 - Kristallint silikattegel och cement och andra murverksprodukter
 - Arsenik och krom från kemiskt behandlat gummi.

Den risk som du utsätts för varierar beroende på hur ofta du utför den här typen av arbeten. För att reducera din exponering för dessa kemikalier: arbeta i ett väl ventilerat utrymme och arbeta med godkänd säkerhetsutrustning, såsom andningsmasker som är speciellt utformade för att filtrera bort mikroskopiska partiklar.

- Arbeta försiktigt i områden som du inte känner till. Var medveten om de potentiella risker som skapas av dina arbetsaktiviteter. Detta verktyg är inte isolerat från att komma i kontakt med elektriska strömkällor.
- Detta verktyg rekommenderas inte för användning i potentiellt explosiva miljöer.

i Ytterligare säkerhetsinformation om flyttbara tryckluftverktyg:

- CAGI 2525 – B186.1, SÄKERHETSREGLER FÖR PORTABLA TRYCKLUFTSDRIVNA VERKTYG, tillgängliga från Global Engineering Documents på adress <https://global.ihs.com/>, eller ring +1 800 447-2273. Om du har problem att komma åt ANSI-standarder är du välkommen att kontakta ANSI på adressen <https://www.ansi.org>

Användbar information

Säkerhetsdatablad

Säkerhetsdatabladet beskriver de kemiska produkter som säljs av Chicago Pneumatic.

Besök webbplatsen för Chicago Pneumatic om du vill veta mer qr.cp.com/sds.

Ursprungsland

Hungary

Webbplats

Information om våra produkter, tillbehör, reservdelar och publicerade ärenden hittar du på webbplatsen för Chicago Pneumatic

Besök: www.cp.com.

Copyright

© Copyright 2022, CHICAGO PNEUMATIC Tool Co.LLC, 1815 Clubhouse Road, Rock Hill, SC 29730 - USA

Med ensamrätt. All obehörig användning eller kopiering av innehållet eller del därav är förbjuden. Detta gäller särskilt varumärken, modellbeteckningar, artikelnummer och ritningar. Använd bara godkända delar. Skador eller fel som orsakas genom användning av icke godkända delar täcks inte av garanti eller företags produktansvar.

Технические данные

Характеристики инструмента

	Холостой ход (об/мин)	Масса (кг)	Масса (фунт)
CP2810	2400	0.8	1.8
CP2811	750	0.9	2.0
CP2812	950	1.1	2.4

CP2814	1100	0.8	1.8
--------	------	-----	-----

Таблица 3: Пистолетный шуруповерт

- ⓘ Максимальное рабочее давление при холостом ходе составляет 6,3 бар / 90 фунтов на кв. дюйм, ман.

	Холостой ход (об/мин)	Масса (кг)	Масса (фунт)
CP2822	1300	0.9	2.0
CP2824	1500	0.9	2.0

Таблица 4: Прямой шуруповерт

- ⓘ Максимальное рабочее давление при холостом ходе составляет 6,3 бар / 90 фунтов на кв. дюйм, ман.

Дополнительные принадлежности

С нижеперечисленными моделями требуется использовать боковую рукоятку, если крутящий момент превышает **10 Нм** для пистолетного шуруповерта и **4 Нм** для прямого шуруповерта.

Модель	Боковая рукоятка, номер детали
CP2810	6151820079
CP2811	6151820079

Модель	Боковая рукоятка, номер детали
CP2812	6151820078
CP2822	6151820078

Декларации

Декларация о соответствии ЕС

Компания **CHICAGO PNEUMATIC Tool Co.LLC**, 1815 Clubhouse Road, Rock Hill, SC 29730 - USA, с полной ответственностью заявляет, что данное изделие (наименование, тип и серийный номер которого указаны на титульном листе) соответствует положениям следующих директив:

2006/42/ЕС

Были применены следующие согласованные стандарты: **EN 11148-6:2012**

Официальные органы могут запросить соответствующую техническую информацию у следующих лиц:

Pascal Roussy, R&D Manager, Ets Georges Renault, 38 rue Bobby Sands, BP10273 44818 Saint Herblain, France

Saint-Herblain, 2022/05/25

Pascal ROUSSY

Подпись заявителя



Декларация по шумам и вибрации

Уровень шума - ISO 15744

Модель	LpA дБ(A)	LWA дБ(A)
CP2810	83	94
CP2811	83	94
CP2812	82	93
CP2814	76	87
CP2822	83	94
CP2824	73	-

LpA дБ(A): уровень звукового давления

LWA дБ(A): уровень звуковой мощности

K / KpA = KWA = 3 дБ: погрешность

Уровень вибрации -ISO 28927-2

	ahd (м/с ²)	K (м/с ²)
Все модели	<2.5	-

ahd, ah: уровни вибрации

Заявленные значения были получены при помощи лабораторных тестов, проведенных в соответствии с установленными стандартами, могут быть использованы для сравнения с заявленными значениями, полученными при испытании других инструментов в соответствии с теми же стандартами. Эти заявленные значения неприменимы для оценки риска; результаты фактических измерений при работе на индивидуальном рабочем месте могут быть выше. Фактические значения воздействия и риск ущерба, которым подвергается пользователь, индивидуальны и зависят от метода работы, изделия и устройства рабочего места, а также от времени воздействия и физического состояния пользователя.

Компания **CHICAGO PNEUMATIC Tool Co.LLC** не может нести ответственность за последствия использования заявленных значений вместо значений, отражающих фактическое воздействие, при оценке индивидуальных рисков в ситуации на рабочем месте, которую компания не в состоянии контролировать.

При ненадлежащей манере использования данный инструмент может вызвать вибрационный синдром рук. Руководство ЕС о том, как справляться с воздействием вибрации на руки, можно найти на веб-сайте <http://www.pneurop.eu/index.php> (выберите меню "Tools", а затем "Legislation").

Мы рекомендуем программу контроля за здоровьем, которая обеспечивает раннее обнаружение симптомов вредного воздействия вибрации и позволяет своевременно пересмотреть процедуры обслуживания, чтобы предотвратить дальнейшее ухудшение.

- ⓘ** Если данное оборудование предназначено для закрепленных систем:
Значение излучения шума приведено в качестве руководящей информации для изготовителя устройства. Данные по излучению шума и вибрации для всего устройства должны быть приведены в руководстве по эксплуатации устройства.

Информация относительно статьи 33 в REACH

Регламент Европейского союза (ЕС) № 1907/2006, регулирующий регистрацию, экспертизу, лицензирование и оборот химических средств (REACH), определяет, помимо прочего, требования к коммуникации в цепочке поставок. Информационные требования распространяются также на продукты, которые содержат так называемые особо опасные вещества (перечень веществ-кандидатов). 27 июня 2018 года металлический свинец (CAS номер 7439-92-1) был внесен в перечень веществ-кандидатов.

В связи с вышеизложенным настоящим ставим вас в известность, что некоторые механические компоненты продукта могут содержать металлический свинец. Это соответствует действующему законодательству в отношении ограничения использования веществ и основано на законных исключениях, указанных в Директиве ЕС по ограничению использования опасных веществ RoHS (2011/65/EU). Металлический свинец не дает утечек или не видоизменяется в продукте во время нормальной эксплуатации, и концентрация металлического свинца в готовом продукте намного ниже применимого порогового значения. Необходимо учитывать местные требования к утилизации свинца после окончания срока службы продукта.

Региональные требования

⚠ ПРЕДУПРЕЖДЕНИЕ

В процессе использования данного продукта существует опасность подвергнуться воздействию химических веществ, в частности, свинца, который, согласно данным, имеющимся в штате Калифорния, вызывает раковые заболевания, врожденные дефекты развития или другие патологии репродуктивной системы. Более подробная информация представлена на веб-сайте

<https://www.p65warnings.ca.gov/>

Евразийское соответствие



Безопасность

НЕ ВЫБРАСЫВАТЬ — ПЕРЕДАТЬ ПОЛЬЗОВАТЕЛЮ

- ⚠ ПРЕДУПРЕЖДЕНИЕ** Ознакомьтесь со всеми предупреждениями по безопасной работе, инструкциями, иллюстрациями и спецификациями, которые поставляются вместе с данным изделием.

Несоблюдение приведенных ниже инструкций может привести к поражению электрическим током, пожару, материальному ущербу и/или серьезной травме.

Сохраните все предупреждения и инструкции для справки на будущее.

- ⚠ ПРЕДУПРЕЖДЕНИЕ** Необходимо неукоснительно соблюдать все местные законодательно закрепленные правила техники безопасности, касающиеся установки, эксплуатации и техобслуживания.

Предписание по использованию

- Только для профессионального использования.
- Запрещается модифицировать данное изделие и его принадлежности каким-либо образом.
- В случае повреждения данного изделия его использование запрещено.
- Если этикетка с информацией об изделии или с предупредительными знаками на корпусе изделия стала неразборчивой или отклеилась, без промедления замените ее.
- Данное устройство должно устанавливаться, эксплуатироваться и обслуживаться только квалифицированным персоналом в промышленных условиях.

Назначение

Данное изделие предназначено для установки и удаления резьбовых крепежных деталей из древесины, металла или пластика. Использование только в помещении

Любое другое использование запрещено.

Использование неоригинальных запасных частей или принадлежностей может привести к снижению рабочих характеристик и увеличению объема технического обслуживания, а также повышению уровня шума и вибрации, что повлечет за собой полное прекращение действия ответственности производителя.

Особые инструкции по устройству

Описание изделия

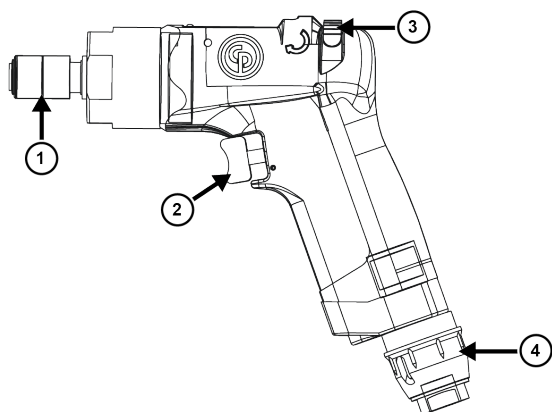


Иллюстрация 12: CP2810 CP2811 / -CP2812

Элемент	Описание
1	Быстросменный патрон
2	Переключатель
3	Кнопка изменения направления вращения
4	Регулируемый отвод воздуха

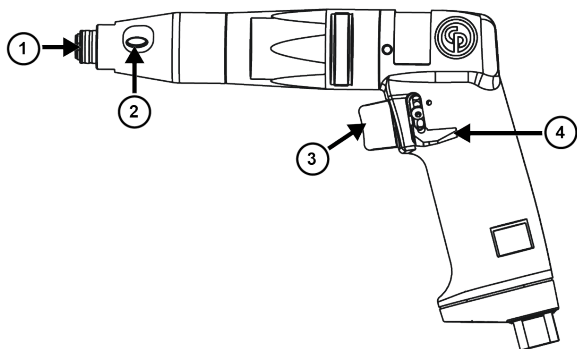


Иллюстрация 13: CP2814

Элемент	Описание
1	Быстросменный патрон
2	Доступ к регулировке крутящего момента
3	Переключатель
4	Кнопка изменения направления вращения

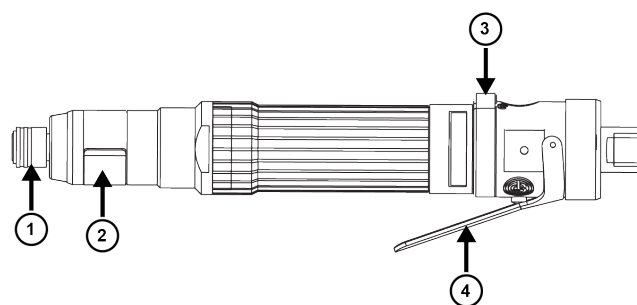


Иллюстрация 14: CP2822 / CP2824

Элемент	Описание
1	Быстросменный патрон
2	Доступ к регулировке крутящего момента
3	Кнопка изменения направления вращения
4	Переключатель

Установка инструмента

1. Зафиксируйте дополнительные устройства на инструменте надлежащим образом.
2. Подключите инструменты, как показано в разделе Air diagram [стр. 4].

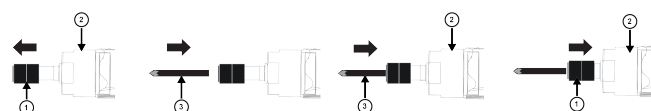
Запуск инструмента

⚠ ПРЕДУПРЕЖДЕНИЕ Опасности при работе

Перед запуском инструмента убедитесь, что он правильно подключен к подаче воздуха.

- Проверьте соединение пневматической линии.
- См. диаграмму воздуха.

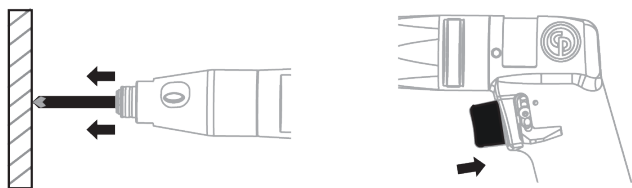
Установка насадки



1. Вытяните быстросменный патрон (1) из инструмента (2).
2. Разместите насадку (3).
3. Вставьте насадку (3) в инструмент (2).
4. Надавите на быстросменный патрон (1) в инструмент (2).
5. Убедитесь, что быстросменный патрон (1) правильно установлен.

Нажатие курка

Для CP2810 / CP2811 / CP2812 / CP2814



Для использования инструмента с системой пуска нажатием:

1. Надавите на насадку, когда инструмент находится в рабочем режиме напротив объекта.
2. Нажмите на курок инструмента.

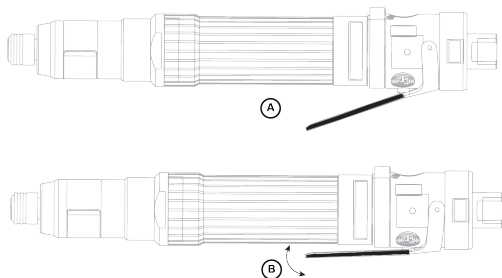
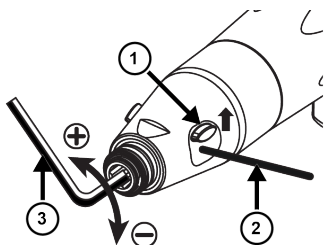


Иллюстрация 15: CP2822 / CP2824

A	Курок ВЫКЛ.
B	Курок ВКЛ.

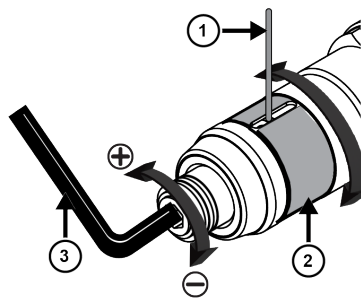
Регулировка крутящего момента

Для CP2812 / CP2814



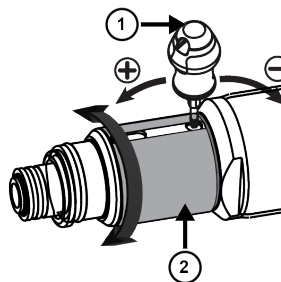
1. Переместите крышку (1), закрывающую доступ к регулировке крутящего момента, вверх.
2. Вставьте шток (2).
3. Вставьте шестигранный ключ (3) размером 6,35 мм, чтобы изменить крутящий момент.
4. Переместите крышку (1), закрывающую доступ к регулировке крутящего момента, вниз.

Для CP2822



1. Поверните крышку (2), закрывающую доступ к регулировке крутящего момента, чтобы открыть разъем.
2. Вставьте шток (1).
3. Вставьте шестигранный ключ (3) размером 6,35 мм, чтобы изменить крутящий момент.
4. Поверните крышку (2), закрывающую доступ к регулировке крутящего момента, в исходное положение.

Для CP2824



1. Поверните крышку (2), закрывающую доступ к регулировке крутящего момента, чтобы открыть разъем.
2. Вставьте отвертку с муфтой (1), что изменить крутящий момент.
3. Поверните крышку (2), закрывающую доступ к регулировке крутящего момента, в исходное положение.

Общие правила техники безопасности

Опасности, связанные с подсоединением и подачей сжатого воздуха

- Воздух под давлением может вызвать серьезную травму.
- Когда инструмент не используется, а также перед заменой его принадлежностей или при проведении ремонтных работ, обязательно отключите подачу сжатого воздуха, сбросьте давление воздуха в шланге и отсоедините инструмент от линии подачи сжатого воздуха.
- Запрещается направлять поток воздуха на себя или на кого-либо еще.
- Биение шлангов может привести к серьезной травме. Обязательно проверяйте шланги и фитинги на предмет повреждения или слабого закрепления.

- Не используйте быстроразъемные соединения на инструменте. См. указания по надлежащей подготовке к работе.
- Какие бы универсальные соединения не использовались, обязательно устанавливайте фиксирующие штифты.
- Не превышайте максимально допустимого значения давления воздуха 6,3 бара (90 фунтов на кв. дюйм, ман.) или значения, указанного на паспортной табличке инструмента.

Опасность затягивания в устройство

- Избегайте вращающегося привода. При несоблюдении безопасной дистанции между волосами, свободной одеждой, перчатками, ювелирными украшениями, шарфами или галстуками и инструментом или его принадлежностями возможны удушье, вырывание волос и сдирание кожи с головы или получение рваных ран.
- Перчатки могут намотаться на вращающийся привод с последующим разрывом или переломом пальцев.
- Вращающиеся приводные головки и удлинители могут легко намотать на себя перчатки с резиновым покрытием или металлическим армированием.
- Не надевайте широкие перчатки, а также перчатки с разрезанными или изношенными пальцами.
- Запрещается удерживать привод, головку или удлинитель.

Опасность вылета осколков

- Всегда надевайте ударопрочные средства защиты глаз и лица при непосредственном участии или нахождении рядом в процессе работы, ремонта или техобслуживания инструмента либо замены его принадлежностей.
- Убедитесь, что на всех остальных людях, находящихся в рабочей зоне, надеты ударопрочные средства защиты глаз и лица. Даже мелкие вылетевшие осколки могут повредить глаза и вызвать слепоту.
- Перетянутые или недотянутые крепежные элементы могут сломаться или ослабнуть и отделиться, что может привести к серьезной травме. Незакрепленные блоки могут разлетаться. Блоки, требующие конкретного момента затяжки, должны проверяться с помощью датчика момента.

ПРИМЕЧАНИЕ. Так называемые \"щелкающие\" динамометрические ключи не проверяют узлы на потенциально опасные превышения крутящего момента.

- Не используйте головки для ручного инструмента. Следует использовать только силовые или ударные головки в хорошем состоянии.
- Убедитесь, что обрабатываемая деталь надежно закреплена.

Опасности при работе

- Перед манипуляциями с головкой или жалом отвертки, регулировкой расцепной муфты или разборкой инструмента отсоедините линию подачи сжатого воздуха.
- Операторы и обслуживающий персонал должны быть физически в состоянии управляться с грузом, весом и мощностью инструмента.
- Держите инструмент надлежащим образом: будьте готовы противодействовать его обычным или внезапным движениям — используйте обе руки.
- Сразу после регулировки расцепной муфты проверьте правильность ее срабатывания.
- Не используйте муфту при сниженном давлении сжатого воздуха или в изношенном состоянии: расцепная муфта может не сработать, что приведет к внезапному вращению рукоятки инструмента.
- Следует всегда крепко упираться в рукоятку инструмента в направлении, противоположном вращению шпинделя, чтобы уменьшить воздействие внезапно возникающего реактивного крутящего момента в процессе окончательной затяжки и первоначального ослабления крепежа.
- По возможности используйте подвеску для поглощения реактивного момента. Если это невозможно, то для инструментов с прямым корпусом и с пистолетной рукояткой рекомендуется использовать боковые рукоятки, а для угловых гайковертов — реактивные штанги. В любом случае рекомендуется использовать средства для поглощения реактивного момента свыше 4 Нм (3 фунт-сила-футов) для инструментов с прямым корпусом, свыше 10 Нм (7,5 фунт-сила-фута) для инструментов с пистолетной рукояткой и свыше 60 Нм (44 фунт-сила-футов) для угловых гайковертов.
- В гайковертах с головками типа «воронья лапа» с открытым зевом возможно раздавливание пальцев.
- Не используйте инструмент в ограниченном пространстве: остерегайтесь раздавливания рук между инструментом и обрабатываемой деталью, особенно при выкручивании крепежа.

Опасность повторяющихся движений

- При использовании механизированного инструмента для выполнения рабочих операций могут возникать неприятные ощущения в кистях, предплечьях, плечах, шее или других частях тела.
- Сохраняйте удобное и надежное положение тела и ног, избегая неуклюжих или неустойчивых поз. Смена положения при выполнении продолжительных операций поможет избежать дискомфорта и утомления.
- Не игнорируйте такие симптомы, как постоянный или периодический дискомфорт, острая или ноющая боль, пульсация, покалывание, онемение, ощущение жжения или ооченение. Прекратите работу с инструментом, сообщите своему работодателю и проконсультируйтесь с врачом.

Опасность шума и вибрации

- Высокий уровень шума может вызвать постоянную потерю слуха и другие проблемы, такие как звон в ушах. Используйте средства защиты органов слуха, рекомендованные вашим работодателем или правилами охраны труда и безопасности.
- Воздействие вибрации может привести к потере чувствительности нервных окончаний и нарушению кровоснабжения кистей и предплечий. Следует носить теплую одежду и держать руки в тепле и сухости. При онемении, покалывании, боли или побледнении кожи прекратите работу с инструментом, сообщите своему работодателю и проконсультируйтесь с врачом.
- Инструмент следует держать легко, но надежно, поскольку риск воздействия вибрации, как правило, повышается при крепкой хватке. Там, где это возможно, используйте подвеску или боковую рукоятку.
- Чтобы предотвратить ненужное повышение уровней шума и вибрации:
 - эксплуатируйте и обслуживайте инструмент, а также подбирайте, обслуживайте и заменяйте его принадлежности и расходные материалы в соответствии с данным руководством;
 - Не используйте изношенные или неподходящие биты, головки или удлинители.

Опасности на рабочем месте

- Подскальзывание, спотыкание и падение являются основными причинами серьезных травм и смерти. Остерегайтесь избыточных частей шлангов, оставленных в зоне прохода или на рабочей площадке.
- Не вдыхайте пыль или пары или продукты обработки, которые могут приводить к ухудшению состояния здоровья (например, рак, врожденные пороки, астма и/или дерматит). При работе с материалами, выделяющими переносимые по воздуху частицы, используйте систему вытяжки пыли и надевайте средства защиты органов дыхания.
- Некоторые виды пыли, образующейся при пескоструйной обработке, пилении, шлифовании, сверлении и других строительных работах, содержат химические вещества, признанные в штате Калифорния веществами, вызывающими рак и врожденные пороки развития либо негативно влияющими на репродуктивную систему. Ниже перечислены некоторые из таких химических веществ:
 - свинец из красок на свинцовой основе;
 - кирпичи, цемент и другие стеновые изделия из кристаллического кремнезема;
 - мышьяк и хром из химически обработанного каучука (резины).

Ваш риск в отношении перечисленных воздействий меняется в зависимости от того, как часто вы выполняете данный вид работ. Чтобы уменьшить воздействие на вас указанных химических веществ,

работайте в хорошо вентилируемом помещении с применением одобренных средств защиты, таких как пылезащитные маски, предназначенные специально для фильтрации микроскопических частиц.

- Соблюдайте осторожность при работе в незнакомом месте. Остерегайтесь потенциальных опасностей, создаваемых вашими рабочими действиями. Этот инструмент не изолирован от соприкосновения с источниками электропитания.
- Данный инструмент не рекомендован для эксплуатации в потенциально взрывоопасной атмосфере.

ⓘ Дополнительная информация по технике безопасности при работе с переносными пневматическими инструментами:

- SAGI 2528 – B186.1, ПРАВИЛА ТЕХНИКИ БЕЗОПАСНОСТИ ПРИ РАБОТЕ С ПЕРЕНОСНЫМИ ПНЕВМАТИЧЕСКИМИ ИНСТРУМЕНТАМИ можно получить на веб-сайте Global Engineering Documents по адресу <https://global.ihs.com/> или по телефону +1 800 447-2273. При возникновении затруднений с получением стандартов ANSI свяжитесь с организацией ANSI через веб-сайт <http://www.ansi.org/>

Полезные сведения**Паспорт безопасности продукции**

В паспортах безопасности продукции описаны химические продукты, поставляемые компанией Chicago Pneumatic.

Посетите веб-сайт компании Chicago Pneumatic, чтобы ознакомиться с более подробной информацией qr.cp.com/sds.

Страна происхождения

Hungary

Веб-сайт

На веб-сайте Chicago Pneumatic представлена информация о наших изделиях, принадлежностях, запасных частях, а также печатные материалы.

Посетите: www.cp.com.

Авторское право

© Авторское право, 2022, CHICAGO PNEUMATIC Tool Co.LLC, 1815 Clubhouse Road, Rock Hill, SC 29730 - USA

Все права защищены. Любое несанкционированное использование или копирование содержимого настоящего документа или его части запрещено. В частности, это относится к товарным знакам, названиям моделей, номерам деталей и чертежам. Используйте только разрешенные запасные части. Любые повреждения или неисправности, возникшие в

результате использования неразрешенных запасных частей, не попадают под действие гарантии и ответственности производителя за продукцию.

Dane techniczne

Dane techniczne narzędzia

	Prędkość obrotowa bez obciążenia (obr./min)	Masa (kg)	Masa (funty)
CP2810	2400	0.8	1.8
CP2811	750	0.9	2.0
CP2812	950	1.1	2.4
CP2814	1100	0.8	1.8

Tabela 3: Wkrętarka pistoletowa

ⓘ Maks. ciśnienie robocze bez obciążenia wynosi 6,3 bara (90 psi).

	Prędkość obrotowa bez obciążenia (obr./min)	Masa (kg)	Masa (funty)
CP2822	1300	0.9	2.0
CP2824	1500	0.9	2.0

Tabela 4: Wkrętarka prosta

ⓘ Maks. ciśnienie robocze bez obciążenia wynosi 6,3 bara (90 psi).

Akcesoria

W przypadku poniższych modeli należy stosować uchwyt boczny, gdy moment obrotowy przekracza **10 Nm** podczas korzystania z wkrętarki pistoletowej oraz **4 Nm** podczas korzystania z wkrętarki prostej.

Model	Numer części uchwytu bocznego
CP2810	6151820079
CP2811	6151820079

Model	Numer części uchwytu bocznego
CP2812	6151820078
CP2822	6151820078

Deklaracje

Deklaracja zgodności EU

Firma **CHICAGO PNEUMATIC Tool Co.LLC**, 1815 Clubhouse Road, Rock Hill, SC 29730 - USA oświadcza na swoją wyłączną odpowiedzialność, że produkt (którego nazwę, typ i numer seryjny podano na stronie tytułowej) jest zgodny z postanowieniami następującej dyrektywy (dyrektyw):

2006/42/EC

Zastosowane normy zharmonizowane:

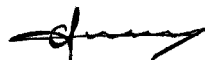
EN 11148-6:2012

Władze mogą zażądać istotnych informacji technicznych od: Pascal Roussy, R&D Manager, Ets Georges Renault, 38 rue Bobby Sands, BP10273 44818 Saint Herblain, France

Saint-Herblain, 2022/05/25

Pascal ROUSSY

Podpis osoby zatwierdzającej



Oświadczenie o poziomie hałasu i drgań

Poziom dźwięku – ISO 15744

Model	LpA dB(A)	LWA dB(A)
CP2810	83	94
CP2811	83	94
CP2812	82	93
CP2814	76	87
CP2822	83	94
CP2824	73	-

LpA dB(A): poziom ciśnienia akustycznego

LWA dB(A): poziom mocy akustycznej

K / KpA = KWA = 3 dB: niepewność pomiaru

Poziom drgań –ISO 28927-2

	ahd (m/s ²)	K (m/s ²)
Wszystkie modele	<2.5	-

ahd, ah: poziomy drgań

Przedstawione wartości uzyskano w oparciu o badania przeprowadzone w warunkach laboratoryjnych, zgodnie z wymienionymi normami; mogą one być porównywane z deklarowanymi wartościami innych narzędzi przebadanymi zgodnie z tymi samymi normami. Przedstawione wartości nie powinny służyć do oceny zagrożenia, a wartości zmierzone w danym miejscu pracy mogą być wyższe. Wartość rzeczywistego działania szkodliwych czynników oraz ryzyko

odniesienia obrażeń jest kwestią indywidualną i zależną od sposobu pracy danej osoby, narzędzi, stanowiska pracy oraz stanu zdrowia.

Firma **CHICAGO PNEUMATIC Tool Co.LLC**, nie ponosi odpowiedzialności za skutki stosowania deklarowanych wartości, zamiast wartości odzwierciedlających rzeczywiste narażenie na hałas i drgania, w przypadku indywidualnej oceny zagrożeń występujących w konkretnej sytuacji w miejscu pracy, nad którą w/w firma nie sprawuje kontroli.

Niniejsze narzędzie może powodować wystąpienie syndromu drgań rąk-ramion (HAVS), jeśli nie jest używane we właściwy sposób. Informator Rady Unii Europejskiej dotyczący zarządzania wibracjami przenoszonymi na ręce operatora można znaleźć po przejściu na stronę internetową <http://www.pneurop.eu/index.php> i wybraniu opcji „Tools” [Narzędzia], a następnie „Legislation” [Ustawodawstwo].

Zalecamy przeprowadzanie badań okresowych, mających na celu wykrycie objawów związanych z działaniem drgań, aby umożliwić zmianę procedur i zapobiec dalszemu pogorszeniu stanu zdrowia.

- i** Jeśli niniejszy sprzęt jest przeznaczony do mocowania w uchwytach:
Wielkość emisji hałasu jest podawana jako wskazówka dla konstruktora narzędzia. Odnoszące się do całego narzędzia dane dotyczące emisji drgań i hałasu powinny być zamieszczone w instrukcji obsługi narzędzia.

Informacje dotyczące artykułu 33 rozporządzenia REACH

Rozporządzenie Unii Europejskiej (UE) nr 1907/2006 w sprawie rejestracji, oceny, udzielania zezwoleń i stosowanych ograniczeń w zakresie chemikaliów (REACH) definiuje między innymi wymagania dotyczące komunikacji w łańcuchu dostaw. Wymóg informacyjny ma zastosowanie do produktów zawierających tak zwane substancje stanowiące bardzo duże zagrożenie (lista kandydacka). 27 czerwca 2018 do listy kandydackiej dodano ołów (CAS nr 7439-92-1).

W związku z powyższym niniejszy dokument służy poinformowaniu, że niektóre podzespoły mechaniczne produktu mogą zawierać ołów. Jest zgodny z obowiązującymi przepisami dotyczącymi substancji zakazanych i został opracowany w oparciu o zatwierdzone wyłączenia w dyrektywie RoHS (2011/65/UE). Ołów nie będzie wyciekał z produktu ani zmieniał formy podczas normalnej eksploatacji i jego stężenie w całym produkcie jest znacznie niższe niż obowiązująca wartość graniczna. Należy przestrzegać lokalnych wymagań dotyczących utylizacji ołowiu po upływie okresu eksploatacji produktu.

Wymagania regionalne

⚠ OSTRZEŻENIE

Ten produkt może narazić użytkownika na kontakt z chemikaliami, między innymi ołowiem, który wg władz stanu Kalifornia powoduje raka, wady wrodzone i upośledzenie płodności. Więcej informacji podano w witrynie

<https://www.p65warnings.ca.gov/>

Bezpieczeństwo

Nie wyrzucać — przekazać użytkownikowi

⚠ OSTRZEŻENIE Należy przeczytać wszystkie ostrzeżenia dotyczące bezpieczeństwa oraz zapoznać się ze wszystkimi instrukcjami, ilustracjami i specyfikacjami dostarczonymi z produktem.

Nieprzestrzeganie wszystkich zmieszczonych poniżej instrukcji może doprowadzić do szkody materialnej, porażenia prądem elektrycznym, pożaru i/lub poważnych obrażeń.

Wszystkie ostrzeżenia i instrukcje należy zachować do wykorzystania w przyszłości.

⚠ OSTRZEŻENIE Należy zawsze przestrzegać wszystkich lokalnych przepisów dotyczących instalacji, obsługi i konserwacji.

Oświadczenie o przeznaczeniu

- Wyłącznie do użytku profesjonalnego.
- Nie wolno w żaden sposób modyfikować produktu ani jego akcesoriów.
- Nie należy użytkować uszkodzonego produktu.
- Jeśli umieszczone na produkcie etykiety zawierające dane produktu lub ostrzegające przed niebezpieczeństwem przestaną być czytelne lub odpadną, należy je niezwłocznie wymienić.
- Produkt musi być instalowany, obsługiwany i serwisowany wyłącznie przez wykwalifikowaną osobę w warunkach przemysłowych.

Przeznaczenie

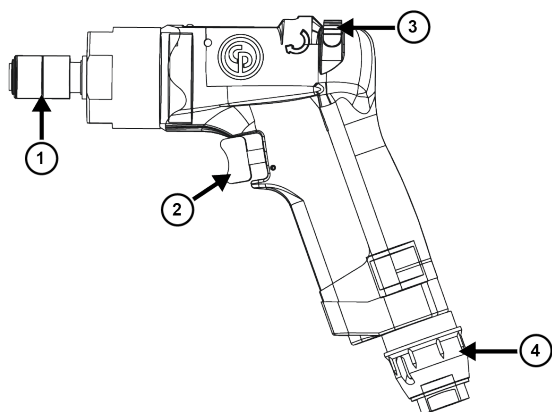
Niniejszy produkt jest przeznaczony do montażu i demontażu gwintowanych elementów mocujących w drewnie, metalu i tworzywach sztucznych. Tylko do użytku w pomieszczeniach

Używanie do innych celów jest niedozwolone.

Użycie nieoryginalnych części zamiennych lub akcesoriów może spowodować spadek wydajności narzędzia oraz zwiększenie częstotliwości wykonywania czynności konserwacyjnych, wzrost natężenia hałasu lub drgań, a w rezultacie anulowanie gwarancji producenta.

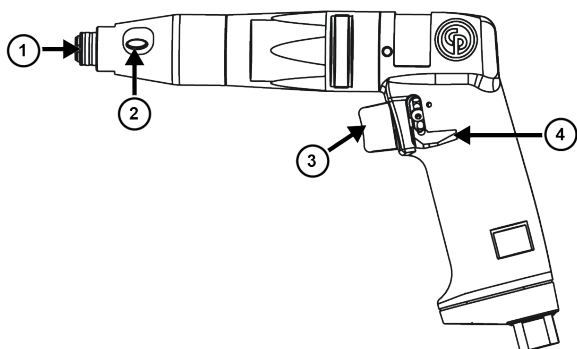
Instrukcje dotyczące produktu

Opis produktu



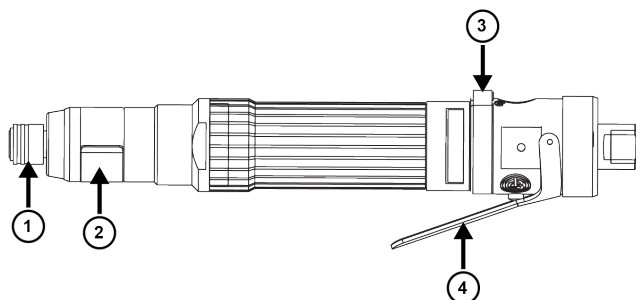
Ilustracja 12: CP2810 / CP2811 / CP2812

Element	Opis
1	Uchwyt szybkowymienny
2	Spust
3	Przycisk zmiany kierunku
4	Regulowany wylot powietrza



Ilustracja 13: CP2814

Element	Opis
1	Uchwyt szybkowymienny
2	Dostęp do regulacji momentu obrotowego
3	Spust
4	Przycisk zmiany kierunku



Ilustracja 14: CP2822 / CP2824

Element	Opis
1	Uchwyt szybkowymienny
2	Dostęp do regulacji momentu obrotowego
3	Przycisk zmiany kierunku
4	Spust

Instalowanie narzędzia

1. Zamocować akcesoria prawidłowo do narzędzia.
2. Podłączyć narzędzia, jak pokazano w części Air diagram [strona 4].

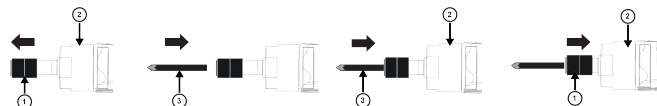
Uruchamianie narzędzia

⚠ OSTRZEŻENIE Niebezpieczeństwo związane z obsługą

Przed uruchomieniem tego narzędzia należy sprawdzić, czy jest ono prawidłowo podłączone do zasilania sprężonym powietrzem.

- Sprawdzić połączenia pneumatyczne.
- W tym celu sprawdzić schemat powietrza.

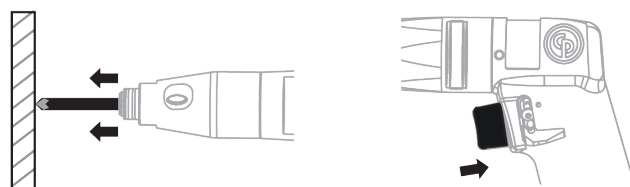
Montaż końcówki



1. Wyciągnąć uchwyt szybkowymienny (1) z narzędzia (2).
2. Włożyć końcówkę na swoje miejsce (3).
3. Włożyć końcówkę (3) do narzędzia (2).
4. Wcisnąć uchwyt szybkowymienny (1) do narzędzia (2).
5. Sprawdzić, czy uchwyt szybkowymienny (1) jest zamontowany prawidłowo.

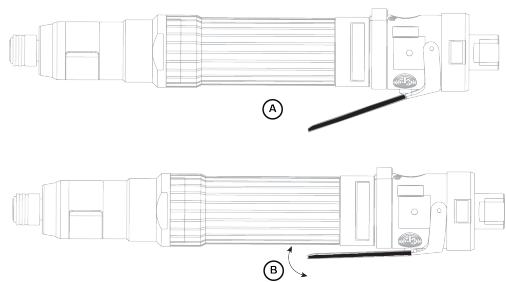
Naciskanie spustu

W przypadku modeli CP2810 / CP2811 / CP2812 / CP2814



Obsługa narzędzia z mechanizmem uruchamiania przyciskiem:

1. Docisnąć końcówkę do obiektu, gdy narzędzie działa.
2. Nacisnąć spust narzędzia.

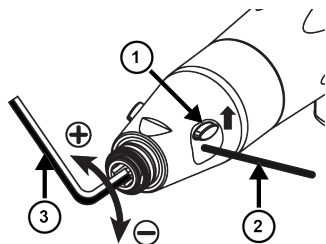


Ilustracja 15: CP2822 / CP2824

A	Spust WYŁ.
B	Spust WŁ.

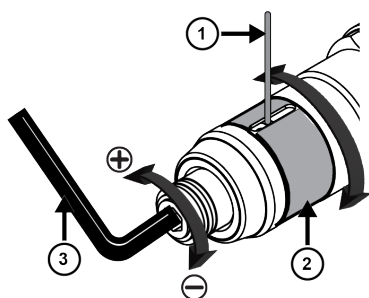
Regulacja momentu obrotowego

W przypadku modeli CP2812 / CP2814



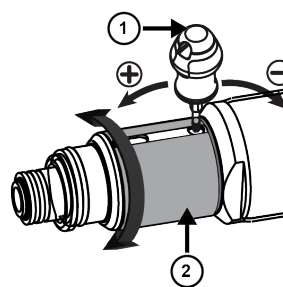
1. Odsunąć osłonę dostępu do regulacji momentu obrotowego (1) do góry.
2. Włożyć trzpień (2).
3. Włożyć klucz imbusowy (3) o rozmiarze 6,35 mm, aby wyregulować moment obrotowy.
4. Zsunąć osłonę dostępu do regulacji momentu obrotowego (1) w dół.

W przypadku modelu CP2822



1. Obrócić osłonę dostępu do regulacji momentu obrotowego (2), aby uzyskać dostęp do gniazda.
2. Włożyć trzpień (1).
3. Włożyć klucz imbusowy (3) o rozmiarze 6,35 mm, aby wyregulować moment obrotowy.
4. Obrócić osłonę dostępu do regulacji momentu obrotowego (2) z powrotem na swoje miejsce.

W przypadku modelu CP2824



1. Obrócić osłonę dostępu do regulacji momentu obrotowego (2), aby uzyskać dostęp do gniazda.
2. Włożyć przyrząd do ustawiania sprzęgła (1), aby wyregulować moment obrotowy.
3. Obrócić osłonę dostępu do regulacji momentu obrotowego (2) z powrotem na swoje miejsce.

Ogólne instrukcje bezpieczeństwa

Zagrożenia związane z podłączaniem do źródła sprężonego powietrza

- Powietrze pod ciśnieniem może spowodować poważne obrażenia.
- W przypadku nieużywania narzędzia lub przed przystąpieniem do zmiany akcesoriów bądź do wykonania naprawy należy zawsze odciąć dopływ sprężonego powietrza, usunąć ciśnienie z przewodu elastycznego oraz odłączyć narzędzie od źródła sprężonego powietrza.
- Nie wolno kierować sprężonego powietrza na siebie lub inną osobę.
- Wężę wprowadzone w nagły ruch przez wydostające się sprężone powietrze mogą spowodować poważne obrażenia. Zawsze należy sprawdzić, czy elastyczne przewody pneumatyczne i złączki nie są uszkodzone lub obluźnione.
- Nie należy montować szybkozłączy bezpośrednio do narzędzia. Podłączenie należy wykonać zgodnie z instrukcją.
- W przypadku stosowania uniwersalnego wkręcanego złącza, musi być zainstalowany kołek blokujący.
- Nie wolno przekraczać maksymalnej wartości ciśnienia powietrza wynoszącej 6,3 bara (90 psig) lub wartości podanej na tabliczce znamionowej narzędzia.

Niebezpieczeństwo pochwylenia

- Zachować bezpieczny odstęp od obracającego się mechanizmu napędowego. Pochwycenie luźnej odzieży, rękawic, biżuterii, krawatów bądź apaszek oraz włosów przez narzędzie lub jego akcesoria grozi uduszeniem, oskalpowaniem i/lub zranieniem.
- Rękawice mogą zostać pochwycone przez obracający się mechanizm napędowy, powodując urwanie lub złamanie palców.
- Obracające się nasadki napędowe i przedłużki mechanizmu napędowego mogą z łatwością pochwyć gumowane lub wzmocnione metalem rękawice.

- Nie wolno nosić zbyt luźnych rękawic lub rękawic z otworami na palce bądź postrzępionymi końcówkami na palce.
- W żadnym wypadku nie wolno chwytać mechanizmu napędowego, nasadki lub przedłużki mechanizmu napędowego.

Niebezpieczeństwo zranienia odłamkami

- Podczas posługiwania się narzędziem, a także podczas naprawy lub konserwacji narzędzia bądź w trakcie wymiany jego akcesoriów należy zawsze nosić odporne na uderzenia okulary ochronne i osłonę twarzy.
 - Należy zadbać o to, aby inne znajdujące się w pobliżu osoby nosiły okulary ochronne i osłonę twarzy. Nawet małe odłamki mogą uszkodzić oczy i spowodować ślepotę.
 - Dokręcenie elementów złącznych zbyt dużym lub zbyt małym momentem obrotowym może doprowadzić do ich pęknięcia lub poluzowania i rozłączenia, co może spowodować poważne obrażenia ciała. Uwolnione elementy zespołów mogą zostać wyrzucone z dużą siłą. Zespoły wymagające określonego momentu dokręcania należy sprawdzić przy użyciu miernika momentu.
- UWAGA: Klucze dynamometryczne z mechanizmem zapadkowym nie zapewniają dostatecznej kontroli nad potencjalnie niebezpiecznym stanem przeciążenia w wyniku nadmiernego momentu obrotowego.
- Nie wolno używać nasadek przeznaczonych do narzędzi ręcznych. Używać wyłącznie będących w dobrym stanie nasadek przeznaczonych do elektronarzędzi lub do narzędzi udarowych.
 - Upewnić się, że obrabiany przedmiot jest pewnie zamocowany.

Zagrożenia występujące podczas pracy z narzędziami

- Manipulowanie końcówkami i nasadkami wkrętakowymi, regulacja sprzęgła i demontaż narzędzia wymagają odłączenia dopływu powietrza.
- Operatorzy i personel konserwacyjny muszą być fizycznie zdolni do obsługi narzędzia o określonej wielkości, masie i mocy.
- Narzędzie należy trzymać prawidłowo: należy być przygotowanym do przeciwdziałania normalnym lub nagłym ruchom narzędzia — mieć do dyspozycji obie ręce.
- Po wyregulowaniu sprzęgła należy natychmiast sprawdzić prawidłowość jego działania.
- Nie wolno używać narzędzia przy zmniejszonym ciśnieniu powietrza lub nadmiernie zużytego narzędzia: sprzęgło takiego narzędzia może nie funkcjonować, co spowoduje nagły obrót uchwytu narzędzia.
- Aby zmniejszyć wpływ nagłego działania momentu obrotowego podczas końcowej fazy dokręcania i początkowej fazy odkręcania, należy zawsze podtrzymywać uchwyt narzędzia w kierunku przeciwnym do obrotów wrzeczona.
- Jeśli to możliwe, należy posługiwać się podwieszanym ramieniem w celu zamortyzowania reakcyjnego momentu obrotowego. Jeśli jest to niemożliwe, zaleca się używanie uchwytów bocznych w przypadku narzędzi z uchwytem prostym i uchwytem pistoletowym; w przy-

padku kątowych kluczy do nakrętek zaleca się używanie dźwigni reakcyjnych. W każdym przypadku zaleca się stosowanie odpowiednich sposobów amortyzowania reakcyjnego momentu obrotowego o wartości powyżej 4 Nm (3 lbf.ft) w przypadku narzędzi z uchwytem prostym, o wartości powyżej 10 Nm (7,5 lbf.ft) w przypadku narzędzi z uchwytem pistoletowym i o wartości powyżej 60 Nm (44 lbf.ft) w przypadku kątowych wkrętek do nakrętek.

- Podczas użytkowania mechanicznych wkrętek do nakrętek wyposażonych w otwartą końcówkę oczkową mogą zostać zmiażdżone palce.
- Nie używać w przestrzeniach ograniczonych: uważać na ręce, aby nie uległy zmiażdżeniu między narzędziem i przedmiotem obrabianym, szczególnie podczas odkręcania.

Zagrożenia związane z wykonywaniem powtarzających się ruchów

- Podczas pracy z użyciem elektronarzędzia operator może odczuwać dyskomfort w dłoniach, ramionach, barkach, szyi lub innych częściach ciała.
- Należy przyjąć wygodną pozycję, pamiętając jednocześnie o zachowaniu pewnego oparcia dla stóp i unikaniu nienaturalnych lub nie zrównoważonych pozycji. Zmiana pozycji podczas wykonywania długotrwałych zadań może pomóc w uniknięciu dyskomfortu i zmęczenia.
- Nie należy ignorować takich objawów jak uporczywy lub powracający dyskomfort, ból, silne bicie serca, uczucie mrowienia, drętwienia, pieczenia lub zeszywnienia. Należy zaprzestać używania narzędzia, powiadomić pracodawcę i zasięgnąć porady lekarza.

Zagrożenia powodowane hałasem i drganiami

- Wysokie poziomy hałasu mogą spowodować trwałą utratę słuchu i inne problemy, takie jak szum w uszach. Należy stosować ochronniki słuchu zalecane przez pracodawcę lub przepisy bezpieczeństwa i higieny pracy.
- Narażenie na działanie drgań może spowodować uszkodzenie nerwów oraz upośledzenie krążenia krwi w dłoniach i ramionach. Należy nosić ciepłą odzież i utrzymywać dłonie w ciepłym i suchym stanie. W przypadku wystąpienia drętwienia, mrowienia, bólu lub bladeści skóry należy zaprzestać używania narzędzia, powiadomić pracodawcę i zasięgnąć porady lekarza.
- Narzędzie należy trzymać lekkim, lecz pewnym chwytem, gdyż ryzyko powodowane drganiami jest zwykle większe, jeśli siła chwytu jest większa. Tam gdzie jest to możliwe należy stosować podwieszane ramię lub zamocować boczny uchwyt.
- Aby zapobiec występowaniu nadmiernego wzrostu poziomu hałasu i wibracji należy:
 - użytkować i konserwować narzędzie, a także dobierać, konserwować i wymieniać akcesoria oraz materiały eksploatacyjne zgodnie ze wskazówkami zamieszczonymi w niniejszej instrukcji obsługi;
- Nie wolno używać zużytych lub niedopasowanych końcówek, nasadek lub przedłużek wkrętakowych.

Zagrożenia związane z miejscem pracy

- Główną przyczyną poważnych obrażeń lub śmierci jest poślizgnięcie/przewrócenie/upadek. Należy uważać na luźne przewody elastyczne pozostawione na przejściach lub na powierzchniach roboczych.
- Unikać wdychania pyłu lub dymów, a także kontaktu z opiłkami powstającymi w trakcie pracy, gdyż może to spowodować pogorszenie się stanu zdrowia (na przykład przyczynić się do powstania nowotworów, wad wrodzonych, astmy i/lub zapalenia skóry). W przypadku obróbki materiałów powodujących duże zapylenie należy stosować urządzenia odpylające oraz sprzęt ochrony dróg oddechowych.
- W skład niektórych rodzajów pyłu powstającego podczas polerowania, piłowania, szlifowania, wiercenia i innych operacji wchodzi substancje chemiczne, które — zgodnie z wiedzą posiadaną przez władze stanu Kalifornia — mogą powodować nowotwory, wady wrodzone lub problemy związane z rozrodczością. Przykładami takich substancji chemicznych są między innymi:
 - ołów pochodzący z farb ołowiowych,
 - cegły silikatowe i cement oraz inne produkty murarskie,
 - arsen i chrom pochodzące z chemicznie przetwarzanej gumy.

Zagrożenia związane z oddziaływaniem tych substancji zależą od częstotliwości wykonywania tego rodzaju pracy. Aby zmniejszyć narażenie na oddziaływanie tych substancji chemicznych, należy: pracować w dobrze wentylowanych miejscach i używać atestowanego wyposażenia ochronnego, np. masek przeciwpyłowych przeznaczonych do zatrzymywania mikroskopijnych cząsteczek.

- Należy zachować ostrożność w nieznanym otoczeniu. Należy mieć świadomość istnienia potencjalnych zagrożeń powodowanych przez wykonywane prace. Niniejsze narzędzie nie ma izolacji zabezpieczającej przed kontaktem ze źródłami zasilania energią elektryczną.
- Niniejsze narzędzie nie jest zalecane do użytku w atmosferze zagrożonej wybuchem.

ⓘ Dodatkowe informacje dotyczące bezpieczeństwa przenośnych narzędzi pneumatycznych:

- CAGI 2528 – B186.1, KODEKS BEZPIECZEŃSTWA DLA PRZENOŚNYCH NARZĘDZI PNEUMATYCZNYCH, dostępny w Global Engineering Documents na stronie internetowej <https://global.ihs.com/> lub pod numerem tel. +1 800 447-2273. W razie trudności z uzyskaniem standardów ANSI należy skontaktować się z ANSI na stronie <https://www.ansi.org/>

Przydatne informacje**Karta charakterystyki materiału**

Karty charakterystyki materiałów opisują produkty chemiczne sprzedawane przez firmę Chicago Pneumatic.

Więcej informacji zamieszczono na stronie internetowej Chicago Pneumatic pod adresem qr.cp.com/sds.

Kraj pochodzenia

Hungary

Strona internetowa

Informacje o naszych produktach, akcesoriach, częściach zamiennych i publikacjach można odnaleźć na stronie Chicago Pneumatic.

Zapraszamy do odwiedzenia: www.cp.com.

Prawa autorskie

© Copyright 2022, CHICAGO PNEUMATIC Tool Co.LLC, 1815 Clubhouse Road, Rock Hill, SC 29730 - USA

Wszelkie prawa zastrzeżone. Wszelkie nieuprawnione użytkowanie lub kopiowanie zawartości niniejszego dokumentu bądź jego części jest zabronione. Dotyczy to w szczególności znaków towarowych, oznaczeń modeli, numerów części oraz rysunków. Używać wyłącznie zatwierdzonych części zamiennych. Wszelkie uszkodzenia lub wadliwe działanie spowodowane używaniem niezatwierdzonych części zamiennych nie są objęte gwarancją ani odpowiedzialnością z tytułu rękojmi za wady produktu.

Technické údaje**Údaje o nástroji**

	Otáčky naprázdno (ot./min.)	Hmotnosť (kg)	Hmotnosť (lb)
CP2810	2400	0.8	1.8
CP2811	750	0.9	2.0
CP2812	950	1.1	2.4
CP2814	1100	0.8	1.8

Tabuľka 3: Pištoľový skrutkovač

- ⓘ Maximálny pracovný tlak pri otáčkach naprázdno je 6,3 bar/90 psig.

	Otáčky naprázdno (ot./min.)	Hmotnosť (kg)	Hmotnosť (lb)
CP2822	1300	0.9	2.0
CP2824	1500	0.9	2.0

Tabuľka 4: Priamy skrutkovač

- ⓘ Maximálny pracovný tlak pri otáčkach naprázdno je 6,3 bar/90 psig.

Ďalšie príslušenstvo

Pri nižšie uvedených modeloch sa musí použiť bočná rukoväť, ak moment prekračuje **10 Nm** pre pištoľový skrutkovač a **4 Nm** pre priamy skrutkovač.

Model	Číslo dielu bočnej rukoväte
CP2810	6151820079
CP2811	6151820079

Model	Číslo dielu bočnej rukoväte
CP2812	6151820078
CP2822	6151820078

Vyhlásenia**EU Vyhlásenie o zhode**

My, **CHICAGO PNEUMATIC Tool Co.LLC**, 1815 Clubhouse Road, Rock Hill, SC 29730 - USA, vyhlasujeme na našu výhradnú zodpovednosť, že výrobok (s názvom, typovým a výrobným číslom, pozri prednú stranu), je v zhode s nasledovnou(ými) smernicou(ami):

2006/42/EC

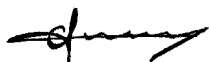
Uplatnené harmonizované normy:
EN 11148-6:2012

Orgány si môžu vyžiadať príslušné technické informácie od: Pascal Roussy, R&D Manager, Ets Georges Renault, 38 rue Bobby Sands, BP10273 44818 Saint Herblain, France

Saint-Herblain, 2022/05/25

Pascal ROUSSY

Podpis emitenta


Vyhlásenie o hlučnosti a vibráciách

Hladina hluku - ISO 15744

Model	LpA dB(A)	LWA dB(A)
CP2810	83	94
CP2811	83	94
CP2812	82	93
CP2814	76	87
CP2822	83	94
CP2824	73	-

LpA dB(A): hladina akustického tlaku

LWA dB(A): hladina akustického výkonu

K / KpA = KWA = 3 dB: neistota

Hladina vibrácií -ISO 28927-2

	ahd (m/s ²)	K (m/s ²)
Všetky modely	<2.5	-

ahd, ah: hladiny vibrácií

Uvedené hodnoty boli zistené laboratórnymi skúškami v súlade s uvedenými normami a sú vhodné na porovnanie s deklarovateľnými hodnotami iného náradia v súlade s rovnakými normami. Tieto deklarovateľné hodnoty nie sú vhodné na posudzovanie rizík a hodnoty odmerané na jednotlivých pracoviskách môžu byť vyššie. Hodnoty aktuálnej expozície a riziko poškodenia zdravia, zistené individuálnymi používateľmi, sú jedinečné a závisia od spôsobu práce používateľa, povahy obrobku a usporiadania pracoviska, ako aj od času expozície a fyzického stavu používateľa.

My, **CHICAGO PNEUMATIC Tool Co.LLC**, nemôžeme byť zodpovední za následky používania uvádzaných hodnôt namiesto hodnôt, ktoré zodpovedajú aktuálnemu vyžarovaniu v individuálnom posúdení rizika v situácii na pracovnom mieste, nad ktorým nemáme kontrolu.

Tento nástroj môže spôsobiť syndróm vibrácií pôsobiacich na ruky a ramená, aj nie je adekvátne spravované jeho používanie. EU príručku ohľadom vibrácií pôsobiacich na ruky a ramená nájdete na <http://www.pneurop.eu/index.php> a následným zvolením 'Nástroje', potom 'Legislatíva'.

Odporúčame preventívnu kontrolu zdravotného stavu na detekciu včasných príznakov v dôsledku zaťaženia vibráciami, aby bolo možné upraviť postupy, ktoré by zabránili výskytu ťažkostí v budúcnosti.

- ⓘ Ak toto zariadenie je určené pre upínacie aplikácie: Úroveň emisií je udaná ako odporúčanie pre technika stroja. Údaje o emisii hluku a vibrácií pre celý stroj nájdete v návode na obsluhu stroja.

Informácie týkajúce sa článku 33 v nariadení REACH

Európske nariadenie (EÚ) č. 1907/2006 o registrácii, hodnotení, autorizácii a obmedzovaní chemických látok (REACH) definuje, okrem iného, požiadavky súvisiace s komunikáciou v dodávateľskom reťazci. Požiadavka na informácie sa vzťahuje aj na výrobky obsahujúce tzv. látky vzbudzujúce veľmi veľké obavy („zoznam kandidátskych látok“) 27. júna 2018 bolo do zoznamu kandidátskych látok pridané kovové olovo (č. CAS 7439-92-1).

V súlade s vyššie uvedeným vás to má informovať, že určité mechanické komponenty vo výrobku môžu obsahovať kovové olovo. Je to v zhode s aktuálnymi právnymi predpismi o obmedzovaní látok a na základe zákonných výnimiek v smernici RoHS (2011/65/EÚ). Počas normálneho používania nedôjde k úniku ani premene kovového olova z výrobku a koncentrácia kovového olova v celom výrobku je značne pod príslušnou prahovou hodnotou. Pri likvidácii olova na konci životnosti výrobku zohľadnite, prosím, miestne požiadavky.

Regionálne požiadavky**⚠ VAROVANIE**

Pri používaní tohto výrobku môžete byť vystavení chemikáliám vrátane olova, o ktorom je v štáte Kalifornia známe, že spôsobuje rakovinu a vrodené chyby alebo iné reprodukčné poruchy. Pre viac informácií prejdite na <https://www.p65warnings.ca.gov/>

Bezpečnosť

NEVYHADZUJE – ODOVZDAJTE POUŽÍVATEĽOVI

⚠ VAROVANIE Prečítajte si všetky bezpečnostné varovania, pokyny, obrázky a špecifikácie poskytnuté s týmto výrobkom.

Nedodržanie všetkých dole uvedených pokynov môže mať za následok zásah elektrickým prúdom, požiar, vecné škody a/alebo vážne zranenie.

Všetky varovania a pokyny si odložte pre budúce nahliadnutie.

⚠ VAROVANIE Všetky lokálne legislatívne bezpečnostné predpisy, ktoré sa týkajú inštalácie, prevádzky a údržby sa musia vždy dodržiavať.**Účel použitia**

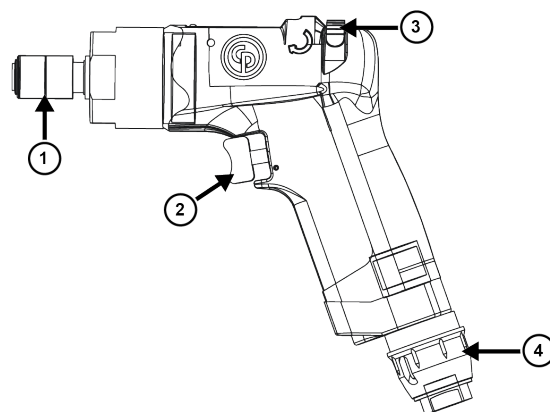
- Iba pre profesionálne použitie.
- Tento výrobok a jeho príslušenstvo sa nesmie v žiadnom prípade prerábať.
- Tento výrobok nepoužívajte, ak bol poškodený.
- Ak údaje o výrobku alebo výstražné štítky upozorňujúce na nebezpečenstvo umiestnené na výrobku prestanú byť čitateľné alebo sa uvoľnia, bezodkladne ich nahraďte.
- Výrobok smie inštalovať, obsluhovať a servisovať iba kvalifikovaná osoba v priemyselnom prostredí.

Určené použitie

Tento výrobok je určený na inštalovanie a odstraňovanie závitových upevňovacích prvkov do/z dreva, kovu alebo plastov. Len na použitie v interiéri.

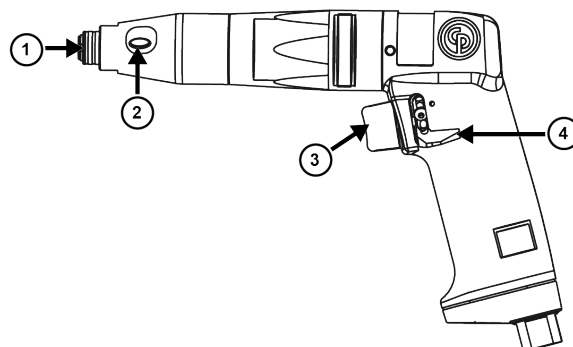
Iné použitie nepovolené.

Použitie náhradných dielov alebo príslušenstva iných ako originálne dodaných výrobcem môže mať za následok pokles výkonu a zvýšenú potrebu údržby, zvýšenú úroveň hluku alebo zvýšené vibrácie, a v dôsledku toho úplné zrušenie ručenia výrobcu.

Pokyny špecifické pre výrobok**Popis výrobku**

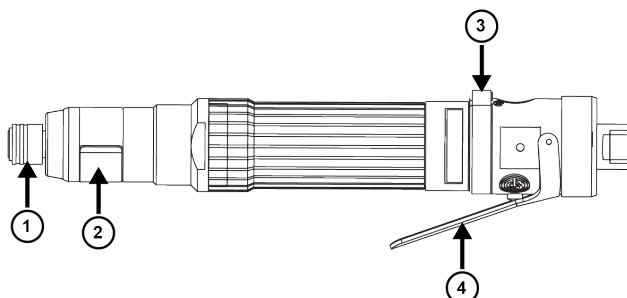
Ilustrácia 12: CP2810 / CP2811 / CP2812

Položka	Popis
1	Rýchlovýmenné skľučovadlo
2	Spúšť
3	Tlačidlo obrátenia otáčania
4	Nastaviteľné odsávanie vzduchu



Ilustrácia 13: CP2814

Položka	Popis
1	Rýchlovýmenné skľučovadlo
2	Prístup k nastaveniu momentu
3	Spúšť
4	Tlačidlo obrátenia otáčania



Ilustrácia 14: CP2822 / CP2824

Položka	Popis
1	Rýchlovýmenné skľučovadlo
2	Prístu k nastaveniu momentu
3	Tlačidlo obrátenia otáčania
4	Spúšť

Inštalácia nástroja

1. Príslušenstvo riadne pripevnite k nástroju.
2. Pripojte nástroje, ako je to zobrazené v oddieli Air diagram [stránka 4].

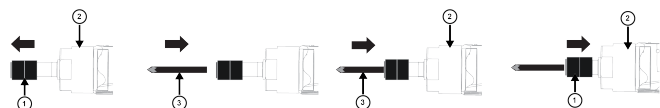
Spustenie nástroja

⚠ VAROVANIE Nebezpečenstvo pri prevádzke

Pred spustením nástroja sa uistite, že nástroj je riadne pripojený k pneumatickému zásobovaniu.

- Skontrolujte pneumatické spojenie.
- Pozri vzduchový diagram.

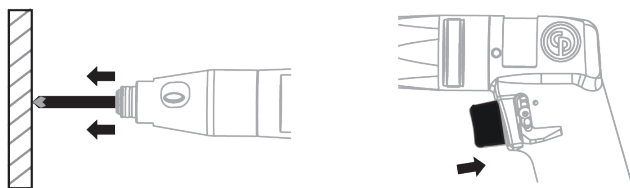
Inštalácia bitu



1. Vytiahnite rýchlovýmenné skľučovadlo (1) z nástroja (2).
2. Umiestnite bit (3).
3. Vložte bit (3) do nástroja (2).
4. Zatlačte rýchlovýmenné skľučovadlo (1) do nástroja (2).
5. Uistite sa, že rýchlovýmenné skľučovadlo (1) je správne nainštalované.

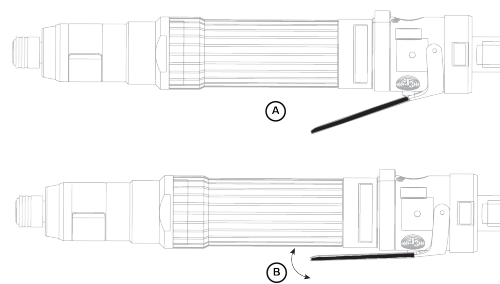
Stlačenie spúšte

Pre CP2810 / CP2811 / CP2812 / CP2814



Na obsluhu nástroja spúšťaného stlačením:

1. Vyviňte tlak na bit, zatiaľ čo je nástroj v prevádzke, proti predmetu.
2. Stlačte spúšť nástroja.

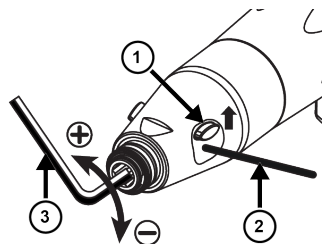


Ilustrácia 15: CP2822 / CP2824

A	Spúšť VYP
B	Spúšť ZAP

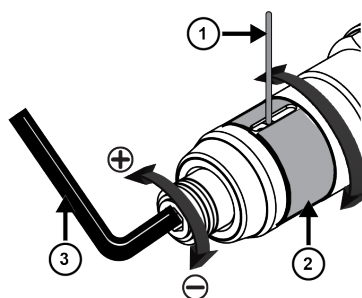
Nastavenie momentu

Pre CP2812 / CP2814



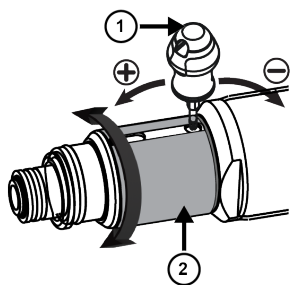
1. Posuňte prístupový poklop nastavenie momentu (1) nahor.
2. Zasuňte násadu (2).
3. Na nastavenie momentu zasuňte imbusový kľúč (3) veľkosti 6,35 mm.
4. Posuňte prístupový poklop nastavenie momentu (1) nadol.

Pre CP2822



1. Na získanie prístupu k štrbine otočte prístupový poklop nastavenie momentu (2).
2. Zasuňte násadu (1).
3. Na nastavenie momentu zasuňte imbusový kľúč (3) veľkosti 6,35 mm.
4. Otočte prístupový poklop nastavenie momentu (2) do jeho pôvodnej polohy.

Pre CP2824



1. Na získanie prístupu k štrbine otočte prístupový poklop nastavenie momentu (2).
2. Na nastavenie momentu zasunite skrutkovač nastavenia spojky (1).
3. Otočte prístupový poklop nastavenie momentu (2) do jeho pôvodnej polohy.

Všeobecné bezpečnostné pokyny

Prívod vzduchu a nebezpečenstvá napojenia

- Vzduch pod tlakom môže spôsobiť vážne zranenie.
- Keď nástroj nepoužívate, pred výmenou príslušenstva alebo pri oprave vždy vypnite prívod vzduchu, z hadice vytlačte vzduch pod tlakom a nástroj odpojte od prívodu vzduchu.
- Vzduch pod tlakom môže spôsobiť vážne zranenie.
- Šľahajúce hadice môžu spôsobiť vážne zranenie. Vždy skontrolujte, či nie sú hadice a hadicové spojenia poškodené alebo uvoľnené.
- Na nástroji nepoužívajte rýchlospojky. Pozrite si pokyny pre správne nastavenie.
- Keď sa používa univerzálna závitová spojka, vždy sa musia nainštalovať poistné kolíky.
- Neprekračujte maximálny tlak vzduchu 6,3 bar / 90 psi, ako je uvedené na štítku nástroja.

Nebezpečenstvá zamotania

- Uchovávajte mimo otočného pohonu. V prípade, že sa nezachová dostatočná vzdialenosť medzi voľným oblečením, rukavicami, šperkami, náhrdelníkmi, vlasmi a nástrojom a jeho príslušenstvom, môže dôjsť k duseniu, skalpovaniu alebo tržným ranám.
- Rukavice sa môžu zachytiť do otočného pohonu, čo môže spôsobiť odrezanie alebo zlomenie prstov.
- Do násad a nadstavcov otočného pohonu sa poľahky môžu zachytiť rukavice s gumeným povrchom alebo kovovými výstuhami.
- Nenoste voľné rukavice ani rukavice s otvormi na prsty ani rozstrapatené rukavice.
- Nikdy nechytajte pohon, zásuvku ani nadstavec pohonu.

Nebezpečenstvo odletujúcich častí

- Pri prevádzke, oprave alebo údržbe nástroja alebo v ich blízkosti alebo pri výmene príslušenstva nástroja vždy používajte ochranu očí a tváre odolnú nárazom.

- Uistite sa, či všetci v pracovnom priestore majú nasadené nárazuvzdorné chrániče očí a tváre. I malé odskakujúce častice môžu zraniť oči a spôsobiť stratu zraku.
 - Príliš alebo málo utiahnuté skrutky a matice, ktoré sa môžu zlomiť alebo uvoľniť a následne odskočiť, môžu spôsobiť vážne poranenia. Uvoľnené príslušenstvo môže byť vymrštené. Montážne operácie so špecifickým momentom utiahnutia musia byť skontrolované meračom momentu.
- POZNÁMKA Tzv. „cvakacie“ momentové kľúče nekontrolujú potenciálne nebezpečné podmienky prílišného utiahnutia.
- Nepoužívajte ručné nástrečky. Používajte iba mechanické alebo nástrečkové kľúče v dobrom stave.
 - Skontrolujte, či je obrobok bezpečne upnutý.

Nebezpečenstvá pri prevádzke

- Skôr, než budete manipulovať s vrtákom skrutkovača alebo zásuvkou, upravovať spojku alebo rozoberať nástroj, odpojte prívod vzduchu.
- Pracovníci obsluhy a údržby musia byť fyzicky schopní objemný, ťažký a mohutný nástroj manipulovať.
- Nástroj držte v správnej polohe: buďte pripravení reagovať na normálne alebo náhle pohyby oboma rukami.
- Ihneď po nastavení spojky skontrolujte správnosť operácie.
- Nepoužívajte pri zníženom tlaku alebo v opotrebovanom stave. Spojka by nemusela pracovať a výsledkom by bola náhla rotácia držadla nástroja.
- Držadlo nástroja vždy bezpečne podprite v opačnom smere proti otáčaniu vretena, aby sa znížil účinok náhle momentovej reakcie v koncovej fáze zatiahnutia a počiatkovej fáze povoľovania.
- Ak je to možné, použite rameno nápravy na absorbovanie záťažného momentu. Ak to nie je možné, odporúčame bočné rukoväte pre zapuzdrené nástroje a nástroje s pištoľovou rukoväťou; pre uhlové uťahovacie kľúče odporúčame reakčné tyče. V každom prípade odporúčame použiť pomôcku na absorbovanie reakčného krútiaceho momentu nad 4 Nm (3 lbf.ft) pri zapuzdrených nástrojoch, nad 10 Nm (7,5 lbf.ft) pri nástrojoch s pištoľovou rukoväťou, a nad 60 Nm (44 lbf.ft) pri uhlových uťahovacích kľúčoch.
- Môže dôjsť k stisnutiu alebo rozdrveniu prstov otvorenými koncami zaťahovacích hlavíc.
- Nepoužívajte nástroj v stiesnenom priestore: dajte pozor, aby nedošlo k stlačeniu alebo rozdrveniu ruky, ak by sa dostala medzi nástroj a dielec, najmä pri povoľovaní skrutiek.

Nebezpečenstvá z opakovaných pohybov

- Pri používaní elektrického nástroja za účelom vykonania pracovných úloh môže operátor pocítiť nepohodlie v rukách, ramenách, pleciah, krku alebo iných častiach tela.

- Zaujmite pohodlné držanie tela a zároveň si zachovajte bezpečný postoj, aby ste sa vyhlili neprírodným alebo nerovnovážnym polohám. Zmena postoja počas dlho trvajúcich prác môže pomôcť predísť nepohodliu a únave.
- Neignorujte symptómy ako trvalé alebo opakujúce sa nepohodlie, bolesť, búšenie, bodavú bolesť, trpnutie, necitlivosť, pálenie alebo stuhnutie. Prestaňte používať nástroj, informujte vášho zamestnávateľa a vyhľadajte lekára.

Nebezpečenstvá spôsobené hlukom a vibráciami

- Vysoké úrovne hluku môžu spôsobiť trvalú stratu sluchu alebo iné problémy, ako napr. hučanie v ušiach. Používajte ochranu sluchu odporúčanú zamestnávateľom alebo predpismi týkajúcimi sa zdravia a bezpečnosti na pracovisku.
- Vystavenie vibráciám môže spôsobiť vážne poškodenie nervov a prívodu krvi na rukách a ramenách. Noste teplé oblečenie a uchovajte si ruky teplé a suché. Ak dôjde k znecitliveniu, trpnutiu, bolesti alebo zbeleniu kože, prestaňte s nástrojom pracovať, informujte vášho zamestnávateľa a vyhľadajte lekára.
- Nástroj uchopte zľahka ale bezpečne, pretože nebezpečenstvo spôsobované vibráciami je väčšie pri pevnejšom uchopení. Tam kde je to možné použite rameno nápravy alebo pripevnite bočnú rukoväť.
- Aby ste predišli zbytočnému zvyšovaniu úrovni hluku a vibrácií:
- Nástroj prevádzkujte a servisujte, a vyberte, servisujte a nahraďte príslušenstvo a spotrebné diely v súlade s týmto návodom na obsluhu.
- Nepoužívajte opotrebené ani nepasujúce hroty pre skrutkovače, násady ani nadstavce.

Nebezpečenstvá na pracovisku

- Pošmyknutie/zakopnutie/pád sú významnou príčinou vážneho zranenia alebo smrti. Dávajte pozor na nadbytočné hadice ponechané na povrchu, kde sa chodí alebo pracuje.
- Predíd'te vdýchnutiu prachu, výparov alebo sutiny, ktoré vznikli pri práci a ktoré môžu spôsobiť zdravotné problémy (napr. rakovinu, pôrodné defekty, astmu a/alebo zápal kože). Pri práci s materiálmi, pri ktorých vznikajú vzduchové častice, používajte odsávanie prachu a vybavenie na ochranu dýchania.
- Niektoré prachy vytvorené pri pieskovaní, pílení, brúsení, vrtaní a iných stavebných aktivitách obsahujú chemikálie, o ktorých je v štáte Kalifornia známe, že spôsobujú rakovinu a vrodené chyby alebo iné reprodukčné poškodenia. Medzi niektoré príklady takýchto chemikálií patria:
 - olovo z olovnatých farieb,
 - tehly a cement s kryštalického kremeňa a iné murárske produkty,
 - arzenik a chróm z chemicky oštrenej gumeny.

Vaše riziko pri týchto expozíciách sa líši podľa toho, ako často vykonávate tento druh práce. Na zníženie expozície týchto chemikálií: pracujte v dobre vetranej oblasti a

pracujte so schváleným bezpečnostným vybavením ako napríklad maskou proti prachu, ktoré je špeciálne navrhnutá na odfiltrovanie mikroskopických častíc.

- V neznámom prostredí postupujte opatrne. Majte na mysli možné nebezpečenstvá vyplývajúce z vašej pracovnej činnosti. Tento nástroj nie je izolovaný proti kontaktu so zdrojmi elektriny.
- Tento nástroj nie je určený na prácu v potenciálne výbušných atmosférach.

ⓘ Doplňujúce bezpečnostné informácie týkajúce sa prenosných pneumatických nástrojov:

- CAGI 2528 - B186.1, BEZPEČNOSTNÝ KÓD PRE PRENOSNÉ PNEUMATICKÉ NÁSTROJE, k dispozícii z Global Engineering Documents na stránke <https://global.ihs.com/> alebo zavolajte na číslo +1 800 447-2273. V prípade ťažkostí so získaním noriem ANSI kontaktujte ANSI cez stránku <https://www.ansi.org/>

Užitočné informácie

Karta bezpečnostných údajov

Karty bezpečnostných údajov popisujú chemické výrobky predávané spoločnosťou Chicago Pneumatic.

Pre viac informácií navštívte webovú stránku spoločnosti Chicago Pneumatic qr.cp.com/sds.

Krajina pôvodu

Hungary

Webová stránka

Informácie ohľadne našich výrobkov, príslušenstva, náhradných dielov a zverejnených materiálov nájdete na webovej stránke Chicago Pneumatic.

Navštívte, prosím: www.cp.com.

Copyright

© Copyright 2022, CHICAGO PNEUMATIC Tool Co.LLC, 1815 Clubhouse Road, Rock Hill, SC 29730 - USA

Všetky práva vyhradené. Akékoľvek neautorizované použitie alebo kopírovanie obsahu alebo jeho časti je zakázané. Týka sa to predovšetkým obchodných značiek, označení modelov, čísel dielov a výkresov. Používajte iba autorizované diely. Na akékoľvek škody alebo zlyhanie spôsobené používaním neautorizovaných dielov sa nevzťahuje záruka ani ručenie za produkt.

Technické údaje

Údaje o nástroji

Rychlost bez zátěže (ot./min.)	Hmotnost (kg)	Hmotnost (lb)

CP2810	2400	0.8	1.8
CP2811	750	0.9	2.0
CP2812	950	1.1	2.4
CP2814	1100	0.8	1.8

Tabulka 3: Šroubovák s pistolovým úchopem

- ⓘ Maximální provozní tlak při volnoběžných otáčkách je 6,3 baru / 90 psig.

	Rychlost bez zátěže (ot./min.)	Hmotnost (kg)	Hmotnost (lb)
CP2822	1300	0.9	2.0
CP2824	1500	0.9	2.0

Tabulka 4: Přímý šroubovák

- ⓘ Maximální provozní tlak při volnoběžných otáčkách je 6,3 baru / 90 psig.

Další příslušenství

Pro níže uvedené modely je nutno použít boční rukojeť, pokud moment přesáhne **10 Nm** v případě šroubováku s pistolovým úchopem a **4 Nm** v případě přímého šroubováku.

Model	Číslo dílu boční rukojeti
CP2810	6151820079
CP2811	6151820079

Model	Číslo dílu boční rukojeti
CP2812	6151820078
CP2822	6151820078

Prohlášení

Prohlášení o shodě s předpisy EU

My, společnost **CHICAGO PNEUMATIC Tool Co.LLC**, 1815 Clubhouse Road, Rock Hill, SC 29730 - USA, na vlastní odpovědnost prohlašujeme, že produkt (s názvem, typem a sériovým číslem, viz přední strana) splňuje požadavky následujících směrnic:

2006/42/EC

Použité harmonizované normy:

EN 11148-6:2012

Úřady si mohou vyžádat příslušné technické informace od: Pascal Roussy, R&D Manager, Ets Georges Renault, 38 rue Bobby Sands, BP10273 44818 Saint Herblain, France

Saint-Herblain, 2022/05/25

Pascal ROUSSY



Podpis vystavitele

Prohlášení o hluku a vibracích

Hladina hluku – ISO 15744

Model	LpA dB(A)	LWA dB(A)
CP2810	83	94
CP2811	83	94
CP2812	82	93
CP2814	76	87
CP2822	83	94
CP2824	73	-

LpA dB(A): úroveň akustického tlaku

LWA dB(A): hladina akustického výkonu

K/KpA = KWA = 3 dB: nejistota

Úroveň vibrací – ISO 28927-2

	ahd (m/s ²)	K (m/s ²)
Všechny modely	<2.5	-

ahd, ah: hladiny vibrací

Tyto deklarované hodnoty byly získány laboratorním testováním v souladu s uvedenými standardy a jsou vhodné pro porovnání s deklarovanými hodnotami jiného nářadí testovaného v souladu se stejnými standardy. Tyto deklarované hodnoty nejsou vhodné pro použití při stanovení rizika a hodnoty naměřené na konkrétním pracovišti mohou být vyšší. Aktuální hodnoty zatížení hlukem a vibracemi a nebezpečí újmů zaznamenané konkrétním uživatelem jsou individuální a závisí na způsobu práce uživatele, obrobku a uspořádání pracoviště, jakož i na době vystavení a na fyzické kondici uživatele.

My, společnost **CHICAGO PNEUMATIC Tool Co.LLC**, neponeseme žádnou odpovědnost za důsledky použití deklarovaných hodnot, namísto hodnot odražejících skutečnou expozici, při individuálním hodnocení rizik v konkrétní situaci na pracovišti, kterou nemůžeme nijak ovlivnit.

Tento nástroj, pokud není přiměřeným způsobem používán, může způsobovat vibrační syndrom ruky a paže. Pokyny EU týkající se zvládnutí vibrací ruky a paže naleznete na webové stránce <http://www.pneurop.eu/index.php>, kde zvolte možnost „Tools“ (Nástroje) a poté „Legislation“ (Legislativa).

Doporučujeme program zdravotního dohledu umožňující včasné odhalení symptomů, které mohou souviset se zatížením vibracemi, aby bylo možné upravit řídicí procesy s cílem předcházení budoucím újmám.

- ❗ Pokud je toto zařízení určeno pro vestavěné aplikace: Hlukové emise jsou uvedeny jako vodítko pro výrobce stroje. Údaje o hlukových a vibračních emisích pro celý stroj musí být uvedeny v návodu k použití stroje.

Informace ohledně článku 33 nařízení REACH

Nařízení Evropského parlamentu a Rady (ES) č. 1907/2006 o registraci, hodnocení, povolování a omezování chemických látek (REACH) kromě dalších záležitostí definuje požadavky vztahující se ke komunikaci v rámci dodavatelského řetězce. Požadavek na informace platí i pro produkty obsahující tzv. látky vzbuzující mimořádné obavy („Seznam kandidátů“). Dne 27. Června 2018 bylo na seznam kandidátů zařazeno olovo (č. CAS 7439-92-1).

V souladu s výše uvedeným vás tímto informujeme, že určité mechanické součásti produktu mohou obsahovat olovo. To je v souladu s aktuální legislativou o omezení látek a na základě platných výjimek ve Směrnici o omezení používání některých nebezpečných látek v elektrických a elektronických zařízeních (2011/65/EU) známé i pod zkratkou RoHS. Olovo nebude během běžného používání z produktu unikat ani v něm mutovat a celková koncentrace olova v produktu je výrazně pod platnou prahovou mezí. Zkontrolujte místní požadavky ohledně likvidace olova na konci životnosti produktu.

Oblastní požadavky

⚠ VÝSTRAHA

U tohoto výrobku můžete být vystaveni působení chemických látek včetně olova, což je ve státě Kalifornie faktor způsobující rakovinu, poškození plodu nebo jiné reprodukční poškození. Více informací je k dispozici na stránce

<https://www.p65warnings.ca.gov/>

Bezpečnost

NEVYHAZUJTE – PŘEDEJTE UŽIVATELI

⚠ VÝSTRAHA Přečtěte si všechny bezpečnostní výstrahy, pokyny, ilustrace a specifikace dodané s tímto produktem.

Nedodržení veškerých níže uvedených pokynů může mít za následek úraz elektrickým proudem, požár, poškození majetku nebo vážný úraz.

Uschovejte veškeré texty varování a pokynů i pro budoucí potřebu.

⚠ VÝSTRAHA Vždy dodržujte všechna zákonná bezpečnostní pravidla týkající se instalace, provozu a údržby produktu.

Prohlášení o použití

- Pouze pro profesionální použití.
- Tento nástroj a jeho příslušenství je zakázáno jakýmkoliv způsobem upravovat.
- Nepoužívejte tento produkt, pokud je poškozen.

- Pokud na produktu nejsou čitelné štítky s údaji o produktu či výstražné štítky, nebo pokud dojde k jejich oddělení od produktu, bez prodlení je nahraďte novými.
- Tento produkt smí instalovat, používat či provádět jeho servis pouze kvalifikované osoby v průmyslovém montážním prostředí.

Určené použití

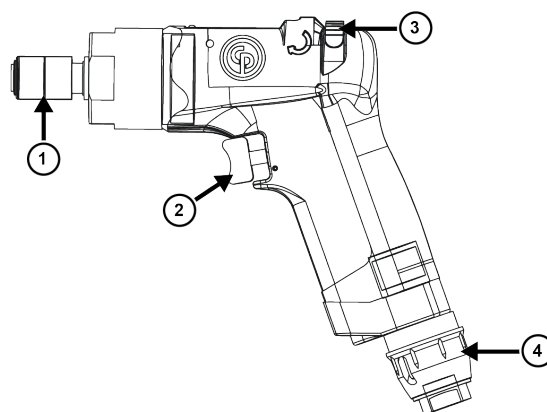
Tento produkt je zkonstruován pro montáž upevňovacích prvků do dřeva, kovu nebo plastu a pro jejich demontáž z těchto materiálů. Pouze pro použití v interiéru.

Jiné použití není povoleno.

Použití náhradních dílů, které se liší od dílů dodávaných výrobcem, může mít za následek snížení výkonnosti nebo zvýšení náročnosti údržby a úrovně hluku nebo vibrací. Zároveň to má za následek celkové propadnutí záruky výrobce.

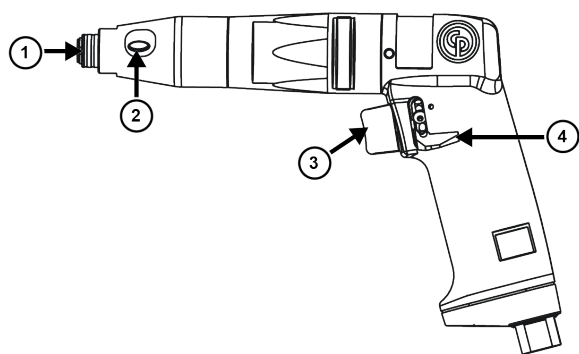
Pokyny specifické pro produkt

Popis produktu



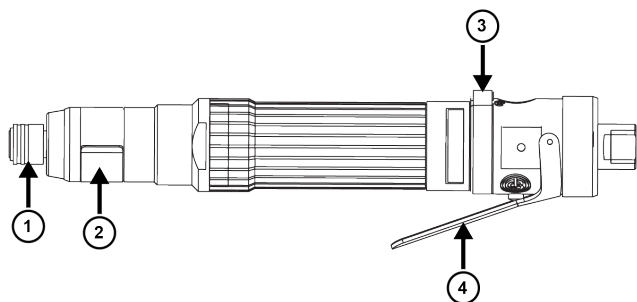
Ilustrace 12: CP2810/CP2811/CP2812

Položka	Popis
1	Rychloupínací pouzdro
2	Spoušť
3	Tlačítko změny směru otáčení
4	Nastavitelné vyfukování vzduchu



Ilustrace 13: CP2814

Položka	Popis
1	Rychloupínací pouzdro
2	Přístup k nastavení momentu
3	Spoušť
4	Tlačítko změny směru otáčení



Ilustrace 14: CP2822 / CP2824

Položka	Popis
1	Rychloupínací pouzdro
2	Přístup k nastavení momentu
3	Tlačítko změny směru otáčení
4	Spoušť

Instalace nástroje

1. Připevněte příslušenství správně k nástroji.
2. Připojte nástroje podle zobrazení v oddíle Air diagram [strana 4].

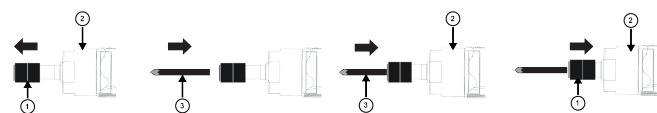
Spuštění nástroje

⚠ VÝSTRAHA Provozní riziko

Před spuštěním nástroje se ujistěte, že nástroj je řádně připojen k pneumatickému přívodu.

- Zkontrolujte připojení pneumatického přívodu.
- Postupujte podle diagramu vzduchu.

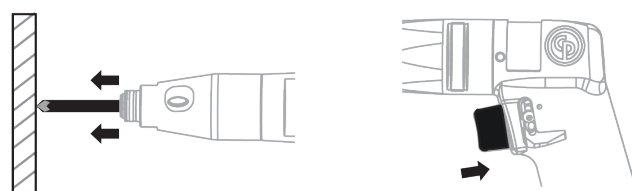
Instalace nástavce



1. Stáhněte z nástroje (2) rychloupínací pouzdro (1).
2. Umístěte nástavec (3).
3. Vsuňte nástavec (3) do nástroje (2).
4. Nasuňte na nástroj (2) rychloupínací pouzdro (1).
5. Ujistěte se, že rychloupínací pouzdro (1) je nainstalováno správně.

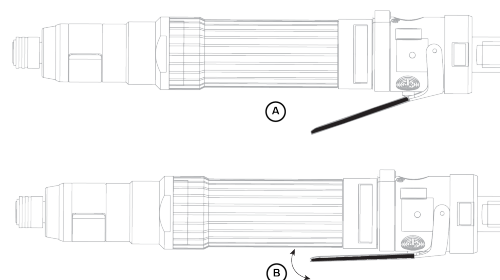
Stisknutí spouště

Pro CP2810 / CP2811 / CP2812 / CP2814



Obsluha nástroje typu „push-to-start“:

1. Zatláče na nástavec proti předmětu, když je nástroj v provozu.
2. Stiskněte spoušť nástroje.

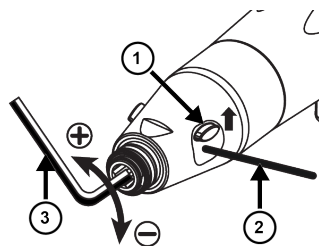


Ilustrace 15: CP2822 / CP2824

- | | |
|---|-------------------------|
| A | Spouštěcí tlačítko VYP. |
| B | Spouštěcí tlačítko ZAP. |

Nastavení momentu

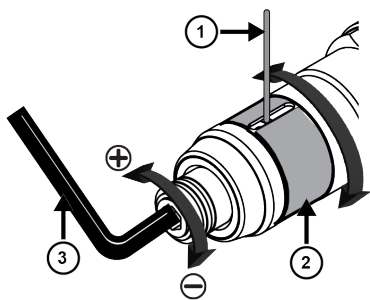
Pro CP2812 / CP2814



1. Posuňte přístup k nastavení momentu (1) směrem nahoru.
2. Vsuňte dřík (2).

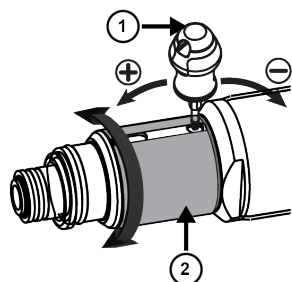
3. Vsuňte inbusový klíč (3) velikosti 6,35 mm pro nastavení momentu.
4. Posuňte přístup k nastavení momentu (1) směrem dolů.

Pro CP2822



1. Otočte krytem přístupu k nastavení momentu (2), aby bylo možno přistoupit ke štěrbíně.
2. Vsuňte dřík (1).
3. Vsuňte inbusový klíč (3) velikosti 6,35 mm pro nastavení momentu.
4. Otočte krytem přístupu k nastavení momentu (2) zpět do původní polohy.

Pro CP2824



1. Otočte krytem přístupu k nastavení momentu (2), aby bylo možno přistoupit ke štěrbíně.
2. Vsuňte šroubovák pro nastavení spojky (1) a nastavte moment.
3. Otočte krytem přístupu k nastavení momentu (2) zpět do původní polohy.

Obecné bezpečnostní pokyny

Přívod vzduchu a nebezpečí při připojení

- Vzduch pod tlakem může způsobit vážný úraz.
- Vždy vypněte přívod vzduchu, z hadic vypusťte tlak vzduchu a odpojte nástroj od přívodu vzduchu, pokud se nástroj nepoužívá, před výměnou jeho příslušenství nebo při provádění jeho oprav.
- Proud vzduchu nikdy nemiřte na sebe ani na nikoho jiného.
- Házení hadic může způsobit vážný úraz. Vždy zkontrolujte, zda hadice a spojky nejsou poškozené nebo uvolněné.
- Nikdy nepoužívejte rychlospojky. Viz pokyny pro správné nastavení.

- Univerzální utahovací spojky musejí být vždy použity s pojistnými kolíky.
- Nepřekračujte maximální tlak vzduchu 6,3 bar / 90 psig nebo tlak uvedený na štítku nástroje.

Nebezpečí namotání

- Udržujte bezpečnou vzdálenost od otáčejících se částí. Pokud nebudete udržovat volné části oděvu, rukavice, šátek nebo jiné oděvní součásti či ozdoby nošené na krku a vlasy v dostatečné vzdálenosti od nástroje a příslušenství, může dojít k jejich zachycení nástrojem, což vám může způsobit udušení, skalpování anebo tržné rány.
- Může dojít k zachycení rukavic otáčejícími se částmi nástroje, což vám může způsobit vážná poranění nebo i zlámání prstů.
- Otáčející se nástavce a prodloužení nástroje mohou snadno zachytit rukavice s pryžovým povlakem nebo s kovovým zesílením.
- Nepoužívejte příliš volné rukavice ani rukavice s prořiznutým nebo roztrepeným materiálem na prstech.
- Nikdy se nepokoušejte držet otáčející se části nástroje, nástavce ani prodloužení nástroje.

Rizika odlétávajících předmětů

- Vždy používejte nárazuvzdorné ochranné brýle a obličejový kryt při práci s nástrojem a jeho opravě a údržbě či při výměně příslušenství, nebo pokud jsou tyto činnosti prováděny ve vaší blízkosti.
- Zajistěte, aby i všichni ostatní v pracovním prostoru měli nárazuvzdorné brýle a obličejové kryty. I malé odlétávající předměty mohou způsobit poranění očí a následnou slepotu.
- Přetažení či naopak nedotažení upevňovacích prvků, které se mohou rozlomit, uvolnit nebo oddělit, může mít za následek vznik vážného úrazu. Uvolněné montážní sestavy se mohou změnit na odlétávající předměty. Montážní sestavy vyžadující konkrétní utahovací moment musí být zkontrolovány pomocí měřiče momentu.
POZNÁMKA: tak zvané „západkové“ momentové klíče nejsou schopny zjistit potenciálně nebezpečné stavy přetažení.
- Nepoužívejte ruční nástavce. Používejte pouze nástavce určené pro nástroj nebo rázové nástavce, a to vždy v dobrém stavu.
- Dbejte na to, aby byl obrobek řádně upevněn.

Provozní rizika

- Vždy odpojte přívod vzduchu ještě předtím, než budete manipulovat s hrotem nebo nástavcem šroubováku, nastavovat spojku nebo provádět demontáž nástroje.
- Osoby provádějící obsluhu a údržbu musí být fyzicky schopné manipulovat s objemným, těžkým a výkonným nástrojem.
- Držte nástroj správně: mějte připraveny obě ruce na zvládnutí normálních i náhlých pohybů působících v opačném směru rotace.
- Ihned po nastavení spojky zkontrolujte její správnou činnost.

- Nepoužívejte při sníženém tlaku nebo ve špatném stavu: spojka by nemusela fungovat a výsledkem by byla náhlá rotace držadla nástroje.
- Vždy držte rukojeť nástroje pevně, ve směru proti pohybu otáčení vřetena, abyste omezili účinek neočekávaného reakčního krouticího momentu v závěru dotahování a při zahájení uvolňování.
- Je-li to možné, použijte závěsné rameno absorbující reakční moment. Pokud není možné použít závěsné rameno, je doporučeno v případě nástrojů s rovným pouzdrem či pistolovou rukojetí použít boční rukojeť; v případě úhlových utahováků je doporučeno použít reakčních tyčí. V každém případě je doporučeno použít prostředky schopné absorbovat reakční moment vyšší než 4 Nm (3 lbf.ft) u nástrojů s rovným pouzdrem, vyšší než 10 Nm (7,5 lbf.ft) u nástrojů s pistolovou rukojetí a vyšší než 60 Nm (44 lbf.ft) u úhlových utahováků.
- Může dojít ke zmáčknutí nebo rozdrčení prstů otevřenými konci utahovacích hlavíc.
- Nepoužívejte nástroj ve stísněném prostoru: dejte pozor, aby nedošlo ke zmáčknutí nebo rozdrčení ruky při jejím vložení mezi nástroj a obrobek, zvláště při povolování šroubů.

Rizika spojená s opakovaným pohybem

- Při používání mechanických nástrojů k provádění pracovních činností může operátor pociťovat mírnou bolest v oblasti rukou, paží, ramen, krku nebo i v jiných částech těla.
- Při práci stůjte v pohodlné poloze a pevně na zemi a vyvarujte se jakýchkoliv nepříjemných či nejistých a nevyvážených poloh. Pravidelné změny polohy těla během delších pracovních činností mohou pomoci zabránit vzniku bolesti či nadměrné únavy.
- Nepodceňujte příznaky, jako je například trvalá nebo vracející se mírná či silnější bolest, pulzující bolest, brnění, necitlivost, palčivé pocity nebo ztuhlost. Přestaňte nástroj používat, informujte svého zaměstnavatele a poraďte se s lékařem.

Rizika spojená s hlukem a vibracemi

- Vysoké úrovně hluku mohou způsobit trvalou ztrátu sluchu nebo jiné zdravotní problémy, jako je například hučení v uších. Používejte ochranu sluchu doporučenou vašim zaměstnavatelem nebo předepsanou podle předpisů týkajících se bezpečnosti a ochrany zdraví při práci.
- Působení vibrací může způsobit poškození nervů a narušit přívod krve do rukou a paží. Noste teplý oděv a udržujte své ruce v teple a suchu. Pokud se projeví strnulost, brnění, bolest nebo zbledání kůže, přestaňte nástroj používat, informujte svého zaměstnavatele a poraďte se s lékařem.
- Držte nástroj lehkým, ale současně pevným úchopem, protože riziko nepříznivého působení vibrací je s vyšší silou úchopu obecně vyšší. Je-li to možné, použijte závěsné rameno nebo na nástroj nasadte boční rukojeť.
- Za účelem předcházení zbytečnému zvyšování úrovně hluku a vibrací:

- Nástroj používejte a provádějte jeho údržbu, a vybírejte, vyměňujte a provádějte údržbu jeho příslušenství a spotřebního materiálu v souladu s pokyny uvedenými v tomto návodu k obsluze;
- Nikdy nepoužívejte opotřebované nebo špatně padnoucí hroty, nástavce nebo prodlužovací díly.

Rizika na pracovišti

- Uklouznutí, zakopnutí nebo pád jsou hlavními příčinami vážných nebo i smrtelných úrazů. Dávejte pozor na nadměrné množství hadic ponechaných na podlaze nebo na pracovní ploše.
- Vyhněte se vdechování prachu či výparů i manipulaci s nečistotami z pracovního procesu, které mohou způsobovat zdravotní potíže (například rakovinu, poruchy při narození, astma anebo dermatitidu). Při práci s materiály, které způsobují uvolňování částic do vzduchu, používejte zařízení na odsávání prachu a noste ochranné dýchací pomůcky.
- Prach vznikající při motorovém vyhlazování, řezání, broušení, vrtání a jiných stavebních činnostech může obsahovat chemické látky, o kterých je ve státu Kalifornie známo, že způsobují rakovinu a poruchy při narození nebo jiná poškození reprodukčního ústrojí. Některé příklady takových chemických látek jsou následující:
 - olovo z olovnatých barev;
 - cihly z krystalického křemene, cement a další stavební materiály pro zdiva;
 - arsen a chrom z chemicky upravené pryže.

Vaše riziko vyplývající z vystavení se působení těchto látek se liší podle toho, jak často provádíte takový typ práce. Abyste omezili své vystavení se působení těchto chemických látek: pracujte v dobře větraných prostorách a používejte schválené bezpečnostní ochranné pomůcky, jako jsou například masky proti prachu, které jsou speciálně zkonstruované k odfiltrování mikroskopických částic.

- V neznámém pracovním prostředí si počínejte opatrně. Dávejte pozor na potenciální rizika vznikající v důsledku vaší pracovní činnosti. Tento nástroj není izolován pro případ dotyku se zdroji elektrického proudu.
- Tento nástroj není určen pro práci v potenciálně výbušných atmosférách.

i Další bezpečnostní informace ohledně přenosného pneumického nářadí:

- CAGI 2528 - B186.1, SAFETY CODE FOR PORTABLE AIR TOOLS (Bezpečnostní pravidla pro přenosné pneumické nářadí), k dispozici na webových stránkách Global Engineering Documents na adrese <https://global.ihs.com/> nebo na telefonním čísle +1 800 447-2273. V případě obtíží při získávání norem ANSI se obraťte na organizaci ANSI prostřednictvím webové stránky <https://www.ansi.org/>

Užitečné informace

Bezpečnostní list

Bezpečnostní listy popisují chemické produkty, které prodává společnost Chicago Pneumatic.

Více informací získáte na webových stránkách společnosti Chicago Pneumatic na adrese qr.cp.com/sds.

Země původu

Hungary

Webová stránka

Informace týkající se našich produktů, příslušenství, náhradních dílů a publikovaných dokumentů naleznete na webových stránkách společnosti Chicago Pneumatic.

Navštivte: www.cp.com.

Copyright

© 2022, CHICAGO PNEUMATIC Tool Co.LLC, 1815 Clubhouse Road, Rock Hill, SC 29730 - USA

Všechna práva vyhrazena. Veškeré neautorizované použití a kopírování obsahu nebo jeho částí je zakázáno. To platí zejména o obchodních známkách, označeních modelu, číslech součástek a výkresech. Používejte pouze schválené náhradní díly. Jakékoliv škody nebo závady způsobené použitím neschválených dílů nejsou kryty Zárukou ani Odpovědností za produkt.

Műszaki adatok

Szerszám adatai

	Alapjáratí fordulatszám (rpm)	Súly (kg)	Súly (lb)
CP2810	2400	0.8	1.8
CP2811	750	0.9	2.0
CP2812	950	1.1	2.4
CP2814	1100	0.8	1.8

Táblázat 3: Csavarhúzó pisztoly

i A maximális üzemi nyomás alapjáratí fordulatszámom 6,3 bar / 90 psig.

	Alapjáratí fordulatszám (rpm)	Súly (kg)	Súly (lb)
CP2822	1300	0.9	2.0
CP2824	1500	0.9	2.0

Táblázat 4: Egyenes csavarhúzó

i A maximális üzemi nyomás alapjáratí fordulatszámom 6,3 bar / 90 psig.

További tartozékok

Az alábbi típusoknál oldalsó fogantyút kell használni, amennyiben a nyomaték meghaladja a **10 Nm**-t csavarhúzó pisztoly, illetve a **4 Nm**-t egyenes csavarhúzó esetében.

Modell	Oldalsó fogantyú cikkszám
CP2810	6151820079
CP2811	6151820079

Modell	Oldalsó fogantyú cikkszám
CP2812	6151820078
CP2822	6151820078

Nyilatkozatok

EU megfeleléségi nyilatkozat

Mi, az CHICAGO PNEUMATIC Tool Co.LLC, 1815 Clubhouse Road, Rock Hill, SC 29730 - USA, kizárólagos felelősségünk tudatában kijelentjük, hogy a termék (a típust és termékszámot lásd az első oldalon) megfelel a következő irányelv(ek)nek:

2006/42/EC

Alkalmazott harmonizált szabványok:
EN 11148-6:2012



A hatóságok kérhetik a vonatkozó műszaki információkat: Pascal Roussy, R&D Manager, Ets Georges Renault, 38 rue Bobby Sands, BP10273 44818 Saint Herblain, France

Saint-Herblain, 2022/05/25

Pascal ROUSSY

A kiadó aláírása

Nyilatkozat zaj- és rezgés kibocsátásról

Zajsint - ISO 15744

Modell	LpA dB(A)	LWA dB(A)
CP2810	83	94
CP2811	83	94
CP2812	82	93
CP2814	76	87
CP2822	83	94
CP2824	73	-

LpA dB(A): hangnyomásszint

LWA dB(A): hangteljesítményszint

K / K_{pA} = KWA = 3 dB: bizonytalanság

Rezgésszint -ISO 28927-2

	ahd (m/s ²)	K (m/s ²)
Az összes modell	<2.5	-

ahd, ah: rezgésszintek

Ezen kinyilatkoztatott értékeket laboratóriumi típusvizsgálattal nyertük a megjelölt szabványokkal összhangban, és ezen értékek alkalmasak az összehasonlításra az egyéb olyan szerzőszámok kinyilatkoztatott értékeivel, amelyeket ugyanazon szabványok szerint vizsgáltak. Ezen kinyilatkoztatott értékek nem alkalmasak kockázatfelmérések céljaira, az egyedi munkahelyeken mért értékek magasabbak lehetnek. A tényleges terhelési értékek és az adott használatú éró sérülési kockázat egyedi mértékű, és függ attól, hogy a használó hogyan dolgozik, továbbá függ a munkadarabtól, a munkaállomás tervezésétől, valamint az igénybevételnek való kitettség időtartamától és a használó fizikai állapotától.

A **CHICAGO PNEUMATIC Tool Co.LLC** nem vállal felelősséget a névleges értékek figyelembe vételéhez a valós kitettségi értékekkel szemben olyan egyedi munkahelyi szituációkra vonatkozóan, amelyeknek feltételeit nem áll módunkban befolyásolni.

Ez a szerszámgép - ha használatát nem megfelelően ütemezik - kéz-kar vibrációs (HAVS) szindrómát okozhat. A kéziszerszámok által okozott rezgésekre vonatkozó EU útmutató a <http://www.pneurop.eu/index.php> helyen, a 'Tools' (Eszközök), majd 'Legislation' (Törvények) menüpont választásával érhető el.

Egészségfelmérési programot ajánlunk az olyan korai tünetek felismerésére, amelyek kapcsolatban állhatnak a rezgési terheléssel, hogy az eljárásokat módosítani lehessen a helyzet további romlásának megakadályozására.

- i** A berendezést rögzítési eljárásokhoz terveztük: A megadott zajkibocsátási szint a gépgyártó tájékoztatására szolgál. A teljes gépberendezés zaj- és rezgési kibocsátási adatait keresse a gép használati útmutatójában.

Információ a REACH-rendelet 33. cikkén

A vegyi anyagok regisztrálásáról, értékeléséről, engedélyezéséről és korlátozásáról szóló 1907/2006/EK rendelet (REACH) többek között az ellátási láncban történő információközlésre vonatkozó követelményeket ír elő. Az információközlési követelmény többek között a különösen veszélyes anyagokat tartalmazó termékekre irányul (a „Jelöltlista”). 2018. június 27-én az ólom (CAS-szám: 7439-92-1) is felkerült a jelöltlistára.

A fentiekkel összhangban ezúton tájékoztatjuk Önt, hogy a termékben bizonyos mechanikus részegységek ólmot tartalmazhatnak. Ez megfelel az anyagok korlátozására vonatkozó jelenlegi jogszabályoknak, és az RoHS irányelv (2011/65/EU) jogszervi kivételein alapul. Az ólom normál használat folyamán nem szivárog és nem képződik a termékből, és az

ólom koncentrációja a teljes termékben jóval a vonatkozó határérték alatt van. Kérjük, hogy a termék élettartamának végén vegye figyelembe az ólom ártalmatlanítására vonatkozó helyi előírásokat.

Regionális követelmények

⚠ FIGYELEM

A termék különböző vegyi anyagoknak, például ólomnak való kitettséget okozhat, az ólmot pedig Kalifornia állam hatóságai a rákkeltő, születési rendellenességeket vagy más szaporodási ártalmakat okozó anyagok közé soroltak. További tudnivalóért lásd

<https://www.p65warnings.ca.gov/>

Biztonság

NE DOBJA EL – ADJA ÁT A FELHASZNÁLÓNAK!

⚠ FIGYELEM Olvassa el a termékre vonatkozó összes biztonsági előírást, útmutatót, illusztrációt és műszaki adatokat.

Az alábbiakban felsorolt utasítások be nem tartása áramütést, tüzet anyagi kárt és/vagy súlyos sérülést okozhat.

Olvassa el és a jövőben is tartsa be az összes figyelmeztetést és utasítást.

⚠ FIGYELEM Minden körülmények között tartsa be a felszerelésekre, üzemeltetésre és karbantartásra vonatkozó, a törvény szerint érvényben lévő helyi biztonsági szabályokat.

Használatra vonatkozó nyilatkozat

- Kizárólag professzionális felhasználásra.
- A terméket és tartozékait semmilyen módon nem szabad módosítani.
- Ne használja a terméket, ha sérült.
- Ha a termék adatai vagy az előírt sebességre vonatkozó vagy veszélyre figyelmeztető címkék a terméken nem olvashatók vagy leváltak, a lehető leghamarabb tegyen fel újakat.
- A termék üzembe helyezését, üzemeltetését és szervizelését kizárólag szakképzett személy végezheti ipari környezetben.

Rendeltetésszerű használat

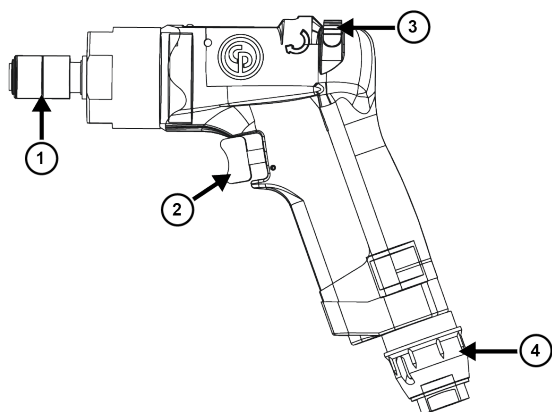
Ezt a terméket menetes csavarok fába, fémbe vagy műanyagba való beszereléséhez és eltávolításához tervezték. Kizárólag beltéri használatra alkalmas.

Más jellegű használata nem megengedett.

A gyártó által eredetileg szállítottól eltérő pótalkatrészek vagy kiegészítők használata teljesítménycsökkenést, a karbantartási igény, a zajszint vagy a vibrációs szint növekedését, ennek eredményeképpen pedig a gyártó felelősségének megszűnését idézheti elő.

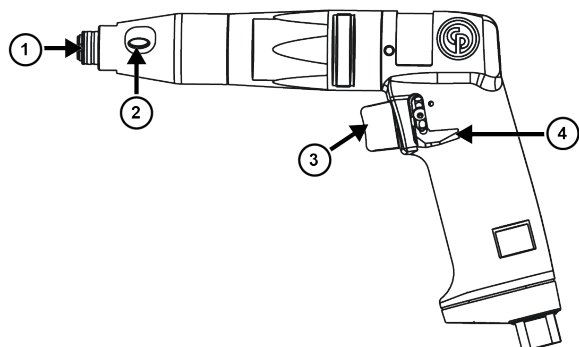
Termékspecifikus utasítások

Termékleírás



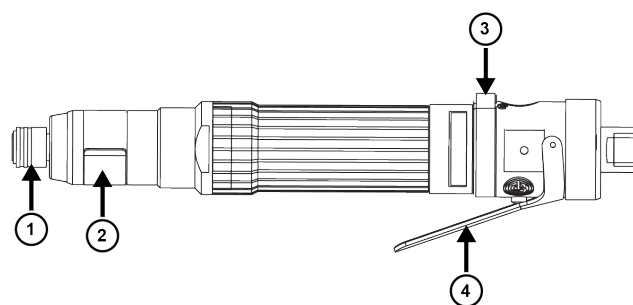
A menüpont nézete 12: CP2810 / CP2811 / CP2812

Tétel	Leírás
1	Gyorscsérés befogó
2	Indító
3	Fordított forgásirány-szabályozó gomb
4	Állítható levegőkibocsátás



A menüpont nézete 13: CP2814

Tétel	Leírás
1	Gyorscsérés befogó
2	Nyomatékbeállítás hozzáférhetősége
3	Indító
4	Fordított forgásirány-szabályozó gomb



A menüpont nézete 14: CP2822 / CP2824

Tétel	Leírás
1	Gyorscsérés befogó
2	Nyomatékbeállítás hozzáférhetősége
3	Fordított forgásirány-szabályozó gomb
4	Indító

A szerszám telepítése

1. Rögzítse megfelelően a tartozékokat a szerszámhoz.
2. Csatlakoztassa a szerszámokat a Air diagram [oldal 4] című részben leírtak szerint.

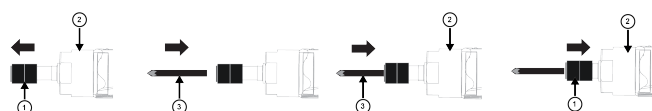
A szerszám beindítása

⚠ FIGYELEM Működési veszély

A szerszám indítása előtt győződjön meg róla, hogy a szerszám megfelelően csatlakozik a pneumatikus ellátáshoz.

- Ellenőrizze a pneumatikus csatlakozást.
- Lásd a pneumatikus diagramot.

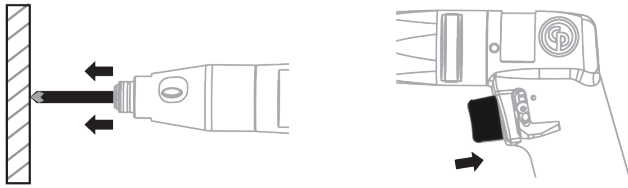
A bit behelyezése



1. Húzza le a gyorscsérés befogót (1) a szerszámról (2).
2. Helyezze el a bitet (3).
3. Illessze be a bitet (3) a szerszámba (2).
4. Nyomja rá a gyorscsérés befogót (1) a szerszámra (2).
5. Győződjön meg arról, hogy a gyorscsérés befogó (1) megfelelően van felhelyezve.

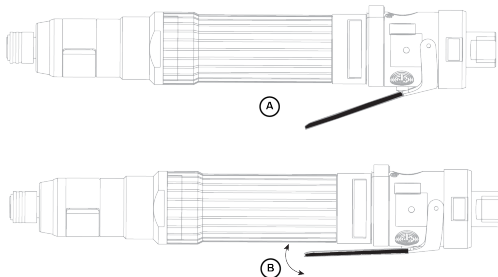
Az indítógomb megnyomása

CP2810 / CP2811 / CP2812 / CP2814 esetén



A nyomásra indítható szerszám működtetése:

1. A szerszám használata során nyomja rá a bitet a munkadarabra.
2. Nyomja meg a szerszám indítógombját.

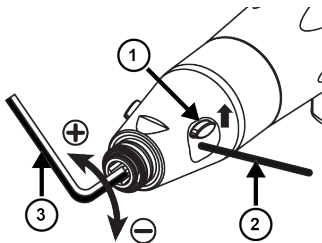


A menüpont nézete 15: CP2822 / CP2824

A	Indítókapcsoló KI
B	Indítógomb BE

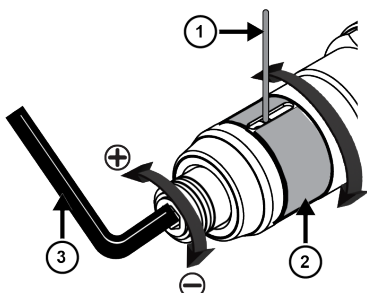
A nyomaték beállítása

CP2812 / CP2814 esetén



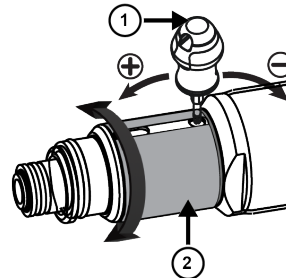
1. Csúsztassa fel a nyomatékbeállító fedelét (1).
2. Helyezzen be egy szárat (2).
3. Helyezzen be egy 6,35 mm-es imbuszkulcsot (3) a nyomaték beállításához.
4. Csúsztassa le a nyomatékbeállító fedelét (1).

A CP2822 esetében



1. Forgassa el a nyomatékbeállító fedelét (2) a nyíláshoz való hozzáféréshez.
2. Helyezzen be egy szárat (1).
3. Helyezzen be egy 6,35 mm-es imbuszkulcsot (3) a nyomaték beállításához.
4. Forgassa vissza a nyomatékbeállító fedelét (2) az eredeti állásba.

A CP2824 esetében



1. Forgassa el a nyomatékbeállító fedelét (2) a nyíláshoz való hozzáféréshez.
2. Helyezze be a kuplungállító csavarhúzó (1) a nyomaték beállításához.
3. Forgassa vissza a nyomatékbeállító fedelét (2) az eredeti állásba.

Általános biztonsági utasítások

Levegőellátó rendszerrel és csatlakozásokkal kapcsolatos veszélyek

- A nyomás alatt lévő levegő súlyos sérüléseket okozhat.
- Ha a szerszám nincs használatban zárja el a levegő-adagolást, ürítse ki a tömlőt és válassza le az eszközt a levegő-vezetékről bármilyen termék-beállítási művelet előtt, mint például tartozékok cseréje vagy javítások.
- Soha ne irányítsa a levegőt önmaga vagy más személyek felé
- A nyomás alatt lévő lengő tömlők komoly sérüléseket okozhatnak. Mindig ellenőrizze, hogy a tömlők és csatlakozások ne legyenek hibásak vagy meglazulva.
- Ne használjon gyorscsatlakozási szerkezeteket a szerszámmal. Vegye figyelembe a helyes összeállításra vonatkozó utasításokat.
- Amennyiben általános szorítófogókat használ, rögzítőszégeket kell felszerelni.
- Ne haladja meg a 6,3 bar / 90 psi értékű - vagy a táblán feltüntetett - maximális levegőnyomást.

Beakadási veszélyek

- Tartsa be a forgó meghajtástól a védőtávolságot! Laza ruházat, kesztyűk, ékszerek, nyaklánc vagy hajdísz viselése esetén fulladásveszély állhat be, vagy a szerszám becsípheti a haját és a bőrt.
- A forgó részek becsíphetik a kesztyűket, ami az ujjak súlyos sérülését, akár törését is okozhatja.
- A forgó fejek foglalata és a forgórész bővítmények könnyen becsíphetik a gumibevonatú vagy fém megerősítésű kesztyűket.

- Ne viseljen bő vagy levágott ujjú kesztyűt.
- Soha ne a fejet, a foglalatot vagy a bővítményt tartsa.

Repülő darabok miatti veszély

- Mindig viseljen ütésálló szem- és arcvédőt az eszköz használata közben, illetve a működő eszköz közelében, valamint javítás, karbantartás vagy alkatrészcsere közben.
- Ügyeljen, hogy az eszköz környezetében mindenki viseljen ütésálló szem- és arcvédőt. Ügyeljen rá, hogy a közelben tartózkodók mindnyájan viseljenek ütésálló szem- és arcvédőt!

- Az alulhúzott vagy túlhúzott kötőelemek súlyos sérülést okozhatnak, mivel törhetnek, kilazulhatnak és leválhatnak. A kilazult szerelvények nagy sebességgel lerepülhetnek. Az előírt nyomatékú csatlakozódarabok nyomatékát nyomatékmérővel kell ellenőrizni.

MEGJEGYZÉS Az úgynevezett "kattanós" nyomatékkulcsokkal nem lehet megállapítani egy esetleges túlhúzást, ami veszélyes lehet.

- Ne használjon kéziszerszámokhoz való foglalatokat. Csak jó állapotú, szerszámgépekhez vagy ütőszerszámokhoz való foglalatokat szabad használni.
- Rögzítse biztonságosan a munkadarabot.

Veszélyek működés közben

- Válassza le a levegőellátást a csavarbehajtó hegy vagy a befogópersely kezelése, a tengelykapcsoló állítása vagy a szerszám leszerelése előtt.
- A kezelőnek és a karbantartónak képesnek kell lennie a szerszám kezelésére, tekintetbe véve annak méreteit, súlyát és teljesítményét.
- Tartsa a berendezést megfelelően: készüljön fel a normál és hirtelen mozdulatok kezelésére – mindkét kezét tartsa szabadon.
- A kuplungbeállítás után azonnal ellenőrizni kell, hogy jól működik-e.
- Ne használja csökkentett levegőnyomással vagy kopott állapotban: előfordulhat, hogy a tengelykapcsoló meghibásodik és a szerszám markolata hirtelen elfordul.
- A szerszám markolatát mindig erősen kell fogni, ellen tartva a forgórész forgási irányával ellenkező irányban, ezáltal csökkentve a végső meghúzás vagy a meglazítás hirtelen nyomatékreakciójának hatását.
- Ha lehetséges használjon egy felfüggesztő kart, hogy csökkentse a visszaható nyomatékot. Ha a felfüggesztő kar használata nem lehetséges, javasolt oldalsó markolatokat alkalmazni az egyenes házú és pisztolyfogantyús szerszámoknál; sarok-csavarbehajtó gépeknél visszahatás elleni rudak alkalmazandók. Minden esetben javasolt alkalmazni valamilyen nyomatékesökkentő módszert, ha a visszaható nyomaték egyenes házú szerszámoknál 4 Nm-nél (3 lbf.ft), pisztolyfogantyús szerszámoknál 10 Nm-nél (7.5 lbf.ft) vagy sarok-csavarbehajtó gépeknél 60 Nm-nél (44 lbf.ft) nagyobb.
- A villáskulcsos csavaranya-behajtók az ujjakat könnyen megsérthetik.

- Nem szabad túl szűk helyen használni: vigyázni kell a szerszám és a munkadarab közé kerülő kéz sérülésére, különösen kihajtás közben.

Ismétlődő mozgással kapcsolatos veszélyek

- Amikor az elektromos szerszámgéppel végez munkát, a gépkezelő kényelmetlenséget érezhet karjában, kezén, vállain, nyakán, vagy teste egyéb részein.
- Munka közben lehetőleg kényelmes pozíciót vegyen fel, biztos lábtartással, elkerülve a kényelmetlen vagy nem egyensúlyban lévő testhelyzetet. A hosszabb munkák közben változtasson testtartásán, mert így kevésbé fárad.
- Ne hagyja figyelmen kívül a különböző tüneteket, például a visszatérő kényelmetlenség érzetet, fájdalmat, lüktető fájdalmat, sajgó fájdalmat, zsibbadást. Ilyen tünetek esetén állítsa le a gépet, jelentse munkáltatójának és forduljon orvoshoz.

Zajjal és vibrációval kapcsolatos veszélyek

- A nagy zajszint tartós halláskárosodást és egyéb problémákat - például fülzúgást - okozhat. Használjon zajvédelmi eszközöket a munkáltató előírásai, illetve a munkaegészségügyi vagy munkabiztonsági előírások szerint.
- A vibrációnak való kitettség a kezek és a karok vérkeringését valamint az idegszál-funkciókat akadályozhatja. Viseljen meleg ruházatot és kezeit tartsa melegen és szárazon. Hagyja abba a szerszám használatát és forduljon orvoshoz, ha zsibbadás, viszketés, fájdalom vagy a bőr elfehéredése lép fel!
- A szerszámot ne szorítsa, de biztosan tartsa, mivel a vibrációs kockázat általában nagyobb, ha a szerszámot szorítja. Ha lehetséges használjon egy felfüggesztő kart vagy szereljen fel egy oldalsó fogót.
- A zaj és vibráció szükségtelen növekedésének megelőzése érdekében:
- A szerszámot és annak tartozékait, fogyóeszközeit a használati útmutatónak megfelelően üzemeltesse, tartsa karban, válassza ki és cserélje;
- Ne használjon kopott vagy rosszul illeszkedő csavarbehajtó hegyet vagy a befogóperselyt vagy hosszabbítást.

Munkavégzési óvintézkedések

- A megcsúszás, megbotlás és elesés a súlyos sérülés vagy halál fő oka. Ügyeljen a közlekedő és munkaterületeken levő felesleges tömlőszakaszokra!
- Ne lélegezze be a port és ne érintse meg a munkafolyamatból származó olyan törmeléket, amely káros lehet egészségére (pl. rákot okozhat, szülési rendellenességekhez vezethet vagy asztmát és/vagy dermatitist okozhat). Ha olyan anyagokkal dolgozik, amelyek légi úton terjedő részecskéket eredményeznek, használjon porelszívást, pld. helyi porelszívó berendezést és viseljen légzőkészüléket.
- A szerszámgéppel végzett csiszolás, vágás, simítás, fűrés vagy más építkezési tevékenységek során keletkező por olyan kémiai anyagokat tartalmaz, melyeket a Kalifornia állam hatóságai a rákkeltő, születési rendellenességeket vagy más szaporodási ártalmakat okozó anyagok közé soroltak. Ilyen kémiai anyagokra például a következők:
 - Ólom az ólomtartalmú festékekből

- Kristályos szilíciumdioxid téglából, cementből és más építőanyagokból
- A gumi kémiai kezeléséből származó arzén és króm

Az ilyen kockázatoknak való kitettség attól függően változik, hogy milyen gyakran végez ilyen típusú munkát. A vegyi anyagoknak való kitettség kockázatának csökkentése érdekében: dolgozzon jól szellőztetett környezetben és használjon jóváhagyott biztonsági védőkészülékeket, mint például kifejezetten a mikroszkopikus részecskék szűrésére kidolgozott porvédő maszkok.

- Ismeretlen környezetben óvatosan mozogjon. Legyen tudatában a munkavégzés során keletkező potenciális veszélyeknek. Ez a szerszám nem rendelkezik elektromos áramforrásokkal történő érintkezéshez elektromos szigeteléssel.
- Ezt a szerszámot na használja potenciálisan robbanékony környezetben.

i További biztonsági információk a pneumatikus hordozható kéziszerszámokról:

- CAGI 2528 – B186.1, PNEUMATIKUS HORDOZHATÓ KÉZISZERSZÁMOK BIZTONSÁGI ELŐÍRÁSAI, elérhető a „Global Engineering Documents” honlapról (<https://global.ihs.com/>), vagy hívja az +1 800 447-2273-as telefonszámot. Ha problémát okozna az ANSI-szabványok beszerzése, lépjen kapcsolatba az ANSI-val a <https://www.ansi.org/> honlapon.

Hasznos információk

Biztonsági adatlap

A Chicago Pneumatic által értékesített kémiai termékeket a biztonsági adatlapok írják le.

További információkért, kérjük, tekintse meg a Chicago Pneumatic honlapját: qr.cp.com/sds.

Származási ország

Hungary

Weboldal

A termékekre, a tartozékokra és a cserealkatrészekre, valamint a kiadványainkra vonatkozó információk a(z) Chicago Pneumatic weboldalán található.

Látogasson el a következő címre: www.cp.com.

Copyright

© Szerzői jog 2022, CHICAGO PNEUMATIC Tool Co.LLC, 1815 Clubhouse Road, Rock Hill, SC 29730 - USA

Minden jog fenntartva. A tartalom vagy annak bármely részének jogosulatlan használata vagy másolása tilos. Ez különösképpen vonatkozik a védjegyekre, a modellek megnevezéseire, az alkatrészszámokra és a rajzokra. Kizárólag engedélyezett alkatrészeket használjon. A nem engedélyezett

alkatrészek használatából eredő bármilyen meghibásodásra vagy károsodásra a Jótállás és Termékfelelősség feltételei nem vonatkoznak.

Tehnični podatki

Podatki o orodju

	Prosta hitrost (vrt./min.)	Teža (kg)	Teža (funti)
CP2810	2400	0.8	1.8
CP2811	750	0.9	2.0
CP2812	950	1.1	2.4
CP2814	1100	0.8	1.8

Tabela 3: Izvijač pištola

- i** Maksimalni delovni pritisk pri prosti hitrosti je 6,3 bara / 90 psig.

	Prosta hitrost (vrt./min.)	Teža (kg)	Teža (funti)
CP2822	1300	0.9	2.0
CP2824	1500	0.9	2.0

Tabela 4: Ravni izvijač

- i** Maksimalni delovni pritisk pri prosti hitrosti je 6,3 bara / 90 psig.

Dodatni nastavki

Za spodnje modele je obvezna uporaba stranske ročice, če navor presega 10 Nm za izvijače pištole in 4 Nm za ravne izvijače.

Model	Številka dela stranske ročice
CP2810	6151820079
CP2811	6151820079

Model	Številka dela stranske ročice
CP2812	6151820078
CP2822	6151820078

Izjave

Izjava EU o skladnosti

V družbi CHICAGO PNEUMATIC Tool Co.LLC, 1815 Clubhouse Road, Rock Hill, SC 29730 - USA, na izključno lastno odgovornost izjavljamo, da je izdelek (z imenom, tipom in serijsko številko z naslovnice) skladen z naslednjimi direktivami:



2006/42/EC

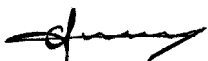
Uporabljeni usklajeni standardi:
EN 11148-6:2012

Pristojni organ lahko zaprosi za pridobitev potrebnih tehničnih podatkov pri:
Pascal Roussy, R&D Manager, Ets Georges Renault, 38 rue Bobby Sands, BP10273 44818 Saint Herblain, France

Saint-Herblain, 2022/05/25

Pascal ROUSSY

Podpis izdajatelja



Deklaracija o hrupu in vibracijah

Raven zvoka - ISO 15744

Model	LpA dB(A)	LWA dB(A)
CP2810	83	94
CP2811	83	94
CP2812	82	93
CP2814	76	87
CP2822	83	94
CP2824	73	-

LpA dB(A): raven zvočnega pritiska

LpA dB(A): raven jakosti zvoka

K / KpA = KWA = 3 dB: negotovost

Raven vibracij -ISO 28927-2

	ahd (m/s ²)	K (m/s ²)
Vsi modeli	<2.5	-

ahd, ah: ravni vibracij

Te deklarirane vrednosti so bile pridobljene z laboratorijskimi preskusi tipa, opravljenimi v skladu z navedenimi standardi, in so primerljive z deklariranimi vrednostmi drugih orodij, testiranih v skladu z istimi standardi. Te deklarirane vrednosti niso primerne za uporabo pri oceni tveganj. Vrednosti, izmerjene na posameznem delovnem mestu, so lahko tudi višje. Dejanske vrednosti izpostavljenosti in tveganja za posameznega uporabnika so edinstvena in odvisna od načina dela uporabnika, obdelovanca in ureditve delovne postaje, ter tudi od časa izpostavljenosti in fizične pripravljenosti uporabnika.

Družba **CHICAGO PNEUMATIC Tool Co.LLC** ne more odgovarjati za posledice uporabe navedenih vrednosti namesto vrednosti, ki odražajo dejansko izpostavljenost pri individualni oceni tveganja na delovnem mestu, nad katerim ta družba nima nobenega nadzora.

Če uporabe tega orodja ne vodite na ustrezen način, lahko povzroči sindrom vibracij v rokah in zgornjih udih. EU navodila za vodenje vibracij roke lahko najdete, če dostopite do <http://www.pneurop.eu/index.php> in izberete "Tools" (orodja) nato pa še "Legislation" (zakonodaja).

Priporočamo program zdravstvenega nadzora za zgodnje odkrivanje simptomov, povezanih z izpostavljenostjo vibracijam, da se lahko z ustreznimi organizacijskimi ukrepi preprečijo nadaljnje poškodbe.

- ⓘ Če je ta oprema namenjena za pritrditev na stroj: Emisija hrupa je podana kot vodilo proizvajalcu stroja. Podatki o emisiji hrupa in tresljajev za celoten stroj morajo biti navedeni v priročniku z navodili za uporabo stroja.

Informacije o 33. členu v sistemu REACH

Evropska uredba (EU) št. 1907/2006 o registraciji, evalvaciji, avtorizaciji in omejevanju kemikalij (REACH) med drugim določa zahteve glede obveščanja znotraj dobavne verige. Zahteve po obveščanju veljajo tudi za izdelke, ki vsebujejo t.i. snovi, ki zbujaajo veliko skrb («seznam kandidatov»). 27. 06. 2018 je bil na seznam kandidatov dodan svinec (CAS nr 7439-92-1).

Skladno z zgoraj navedenim vas obveščamo, da lahko določene mehanske komponente izdelka vsebujejo svinec. To je v skladu s trenutno zakonodajo o omejevanju snovi in na osnovi zakonitih izjem v direktivi RoHS (2011/65/EU). Svinec med običajno uporabo ne bo iztekal ali mutiral iz izdelka, koncentracija svinca v celotnem izdelku pa je bistveno nižja od veljavne mejne vrednosti. Prosimo, pri odstranjevanju svinca ob koncu življenjske dobe izdelka upoštevajte lokalne zahteve.

lokalne zahteve

⚠ OPOZORILO

Ta izdelek vas lahko izpostavi kanikalijam, vključno s svincem, ki po vedenju države Kalifornije povzroča raka in okvare ob rojstvu oz. druge reproduktivne težave. Za več informacij obiščite

<https://www.p65warnings.ca.gov/>

Varnost

NE ZAVRZITE – POSREDUJTE UPORABNIKU

⚠ OPOZORILO Preberite vsa varnostna opozorila, navodila, ilustracije in specifikacije, ki jih prejmete z izdelkom.

Če navodil, ki so navedena spodaj, ne upoštevate, lahko pride do električnega udara, požara, škode na lastnini in/ali hudih poškodb.

Vsa opozorila in navodila shranite za prihodnjo uporabo.

⚠ OPOZORILO Vedno je treba upoštevati vsa varnostna pravila za namestitev, uporabo in vzdrževanje, ki so skladna z lokalno zakonodajo.

Izjava o uporabi

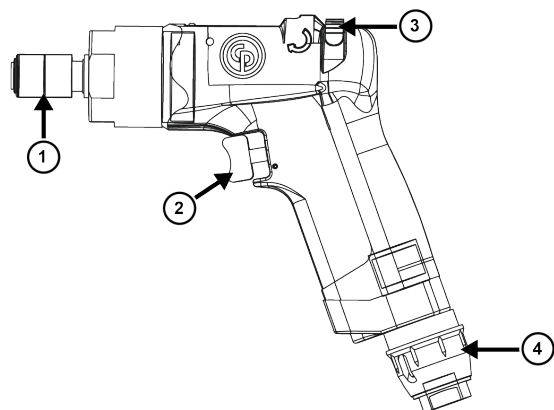
- Samo za profesionalno uporabo.
- Tega izdelka in njegovih dodatkov ni dovoljeno spreminjati na noben način.
- Če je izdelek poškodovan, ga ne uporabljajte.
- Če postanejo oznake s podatki o izdelku ali opozorila na nevarnosti, ki so na izdelku, neberljivi ali odpadejo, jih morate takoj zamenjati.
- Izdelek lahko nameščajo, upravljajo in servisirajo samo osebe, usposobljene za tako delo v industrijskem okolju.

Namen uporabe

Ta izdelek je namenjen za namestitev in odstranitev navojnih pritrdilnih elementov v lesu, kovini ali plastiki. Samo za notranjo uporabo.

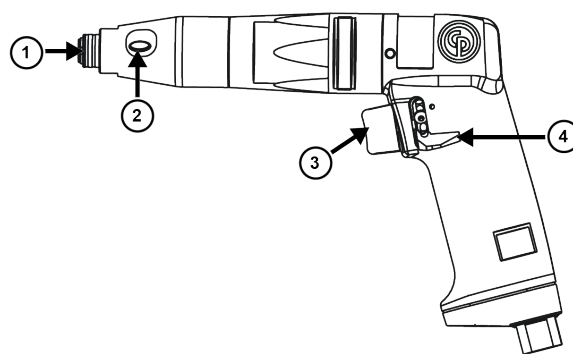
Druga uporaba ni dovoljena.

Uporaba drugih nadomestnih delov ali dodatkov, razen tistih, ki jih je prvotno dobavil proizvajalec, lahko povzroči poslabšanje delovanja in povečano potrebo po vzdrževanju, raven hrupa ali vibracije, ter posledično popolno razveljavitev odgovornosti proizvajalca.

Navodila, specifična za izdelek**Opis izdelka**

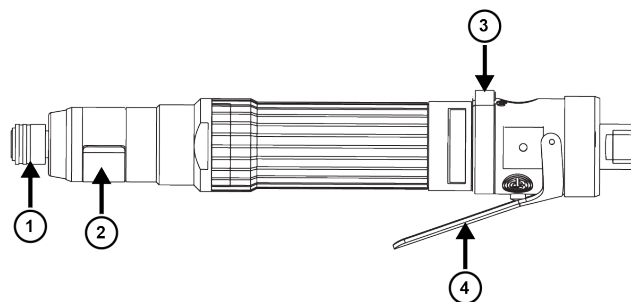
Ilustracija 12: CP2810 / CP2811 / CP2812

Element	Opis
1	Vpenjalo za hitro menjavo
2	Sprožilec
3	Gumb za vzvratno rotacijo
4	Nastavljivi zračni izpuh



Ilustracija 13: CP2814

Element	Opis
1	Vpenjalo za hitro menjavo
2	Dostopa do prilagajanja navora
3	Sprožilec
4	Gumb za vzvratno rotacijo



Ilustracija 14: CP2822 / CP2824

Element	Opis
1	Vpenjalo za hitro menjavo
2	Dostopa do prilagajanja navora
3	Gumb za vzvratno rotacijo
4	Sprožilec

Namestitev orodja

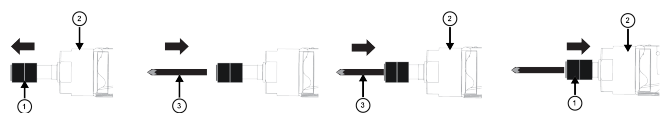
1. Nastavke dobro pritrdite na orodje.
2. Orodje povežite, kot je prikazano v poglavju Air diagram [stran 4].

Zagon orodja**⚠ OPOZORILO Tveganja pri delu**

Pred zagonom orodja se prepričajte, da je pravilno priključeno na pnevmatski dovod.

- Preverite pnevmatsko povezavo.
- Posvetujte se z diagramom zračnih vodov.

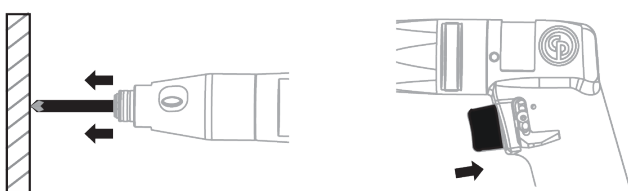
Namestitev nastavka



1. Povlecite vpenjalo za hitro menjavo (1) iz orodja (2).
2. Namestite nastavek v pravilno lego (3).
3. Nastavek (3) vstavite v orodje (2).
4. Potisnite vpenjalo za hitro menjavo (1) v orodje (2).
5. Prepričajte se, da je vpenjalo za hitro menjavo (1) ustrezno nameščeno.

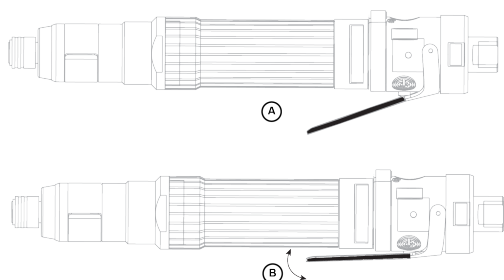
Pritisk na sprožilec

Za CP2810 / CP2811 / CP2812 / CP2814



Za delo z orodjem z gumbom za zagon:

1. Medtem ko je orodje v stiku z obdelovancem, pritisnite na nastavek.
2. Pritisnite sprožilec na orodju.

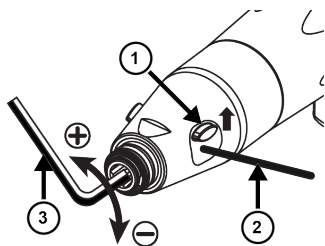


Ilustracija 15: CP2822 / CP2824

A	Sprožilec izključen (OFF)
B	Sprožilec vključen (ON)

Nastavljanje navora

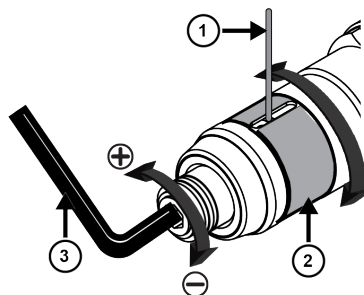
Za CP2812 / CP2814



1. Pokrov za dostop do nastavitve navora (1) potisnite navzgor.
2. Vstavite zbiralnik (2).

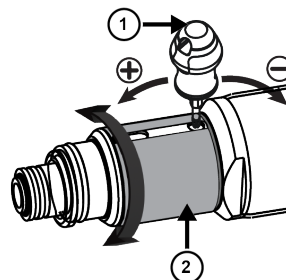
3. Vstavite imbusni ključ (3) velikosti 6,5 mm za nastavitve navora.
4. Pokrov za dostop do nastavitve navora (1) potisnite navzdol.

Za CP2822



1. Zasukajte pokrov za dostop do nastavitve navora (2) za dostop do reže.
2. Vstavite zbiralnik (1).
3. Vstavite imbusni ključ (3) velikosti 6,5 mm za nastavitve navora.
4. Zasukajte pokrov za dostop do nastavitve navora (2) na prvotni položaj.

Za CP2824



1. Zasukajte pokrov za dostop do nastavitve navora (2) za dostop do reže.
2. Vstavite izvijač za nastavitve sklopke (1) za nastavitve navora.
3. Zasukajte pokrov za dostop do nastavitve navora (2) na prvotni položaj.

Splošna varnostna navodila

Nevarnosti pri oskrbi z zrakom in njegovi priključitvi

- Zraka nikoli ne usmerjajte proti sebi ali drugi osebi.
- Ko zaključite z delom, preden zamenjate priključke ali pred popravilom vedno zaprite dovod zraka, sprostite pritisk v zračni cevi in orodje odklopite od dovoda zraka.
- Zraka nikoli ne usmerjajte proti sebi ali drugi osebi.
- Gibke cevi lahko povzročijo hude poškodbe. Vedno preglejte, ali so oprema in cevi poškodovane oziroma slabo pritrjene.
- Na orodju ne uporabljajte hitrih spojok. Za pravilno ureditev si pogledajte navodila.

- Če uporabljate univerzalne vzmetne spojke, morate namestiti varnostne zatiče.
- Ne presežite največjega zračnega pritiska 6,3 bara/90 psig ali kot je navedeno na označevalni tablici orodja.

Tveganja zaradi zapletanja

- Ne približujte se vrtečemu se pogonu. Če ohlapna oblačila, rokavice, nakit, ogrlice in lase približate orodju in pripomočkom, lahko pride do dušenja, iztrganja las in / ali ran.
- Rokavice se lahko zapletejo v rotacijski pogon in povzročijo amputacijo ali zlome prstov.
- Rokavice, prevlečene z gumo ali ojačane s kovino, lahko z lahkoto povleče v puše rotacijskih pogonov in podaljške pogonov.
- Ne nosite ohlapno prilegajočih se rokavic ali rokavic z odrezanimi oziroma nacefranimi prsti.
- Nikoli ne primite za pogon, pušo ali podaljšek pogona.

Tveganja izvrženih kosov

- Vedno ko delate s tem orodjem, na njem opravljate popravila ali vzdrževanje, menjate priključke ali ste v njegovi bližini, nosite na udarce odporno zaščito za oči in obraz.
- Preverite, ali zaščito za oči in obraz, ki je odporna na izvržene predmete, nosijo vsi okoli vas. Tudi majhen izvržen predmet lahko oči poškoduje in povzroči slepoto.
- Zaradi preveč ali premalo privitih spojnih elementov, ki se lahko odlomijo ali se odvijajo in ločijo, lahko pride do hudih poškodb. Sproščene sklope lahko izstrelijo ven. Sklopi, pri katerih je potreben poseben zatezni moment, je treba preverjati z merilnikom zateznega momenta.

OPOMBA: Tako imenovani "klik" torzijski ključki ne preverjajo potencialno nevarnih okoliščin previsokega vrtilnega momenta.

- Ne uporabljajte ročnih puš. Uporabljajte le električne ali udarne nastavke v dobrem delovnem stanju.
- Poskrbite, da bo obdelovanec dobro pritrjen.

Tveganja pri delu

- Pred rokovanjem z nastavkom izvijača ali z obojko, pred nastavljanjem sklopke ali pred demontažo orodja zaprite dovod zraka.
- Upravljalci morajo biti fizično sposobni upravljati tovor, težo in moč orodja.
- Orodje držite v pravilnem položaju: Bodite pripravljeni na protiukrepe na običajne ali nenadne premike in uporabljajte obe roki.
- Takoj zatem, ko ste prilagodili sklopko, preverite, ali stroj deluje pravilno.
- Orodja ne uporabljajte, ko je zračni tlak znižan in v obrabljjenem stanju: mogoče je, da sklopka ne bo delovala, zaradi česar lahko pride do nenadnega zasuka držala orodja.
- Držalo orodja zmeraj varno podložite, v nasprotni smeri vrtenja vretena, da bi zmanjšali učinek nenadnih navornih reakcij pri končnem privijanju in pri začetnem rahljanju.

- Če je mogoče, uporabite suspenzijsko roko za absorpcijo reakcijskega navora. Če to ni mogoče, se priporoča stranske ročaje za orodja z ravnim ohišjem in orodja s pištolnim ročajem; za kotne vijačnike za matice se priporočajo reakcijske prečke. V vsakem primeru je priporočena uporaba sredstev za absorpcijo reakcijskega navora, ki presega 4 Nm (3 lbf.ft) za orodja z ravnim ohišjem, nad 10 nM (7,5 lbf.ft) za orodja s pištolnim ročajem in nad 60 Nm (44 lbf.ft) za kotne vijačnike za matice.
- Na odprtem primežu matičnega vijačnika si lahko zdrobite prste.
- Orodja ne uporabljajte v zaprtih prostorih: pazite, da se vam roka ne uklešči med orodjem in obdelovancem, še posebej pri odvijanju.

Nevarnosti zaradi ponavljajočega se premikanja

- Pri uporabi električnega orodja za izvajanje aktivnosti, povezanih z delom, lahko uporabnik začuti neudobje v rokah, zgornjih udih, ramenih, vratu ali drugih delih telesa.
- Uporabljajte udobno držo in ohranajte varno oporo ter se izogibajte neudobnim ali neuravnoteženim držam. S spreminjanjem drže med daljšimi opravili lahko preprečite neugodje in utrujenost.
- Ne prezrite simptomov, kot so vztrajno ali ponovljivo neudobje, bolečina, drhtenje, ščemenje, zvenenje, otopelost, občutek žganja ali otrdelost. Prenehajte uporabljati orodje, obvestite delodajalca in se posvetujte z zdravnikom.

Nevarnosti hrupa in vibracij

- Visoke ravni zvoka lahko povzročijo trajno izgubo sluha in druge težave, kot so zvonjenje v ušesih. Uporabljajte zaščito za ušesa, kot jo priporoča delodajalec ali predpisi o poklicnem zdravju in varnosti.
- Izpostavljenost vibracijam lahko poškoduje na živce in prepreči pretok krvi v roke ter zgornje ude. Nosite topla oblačila in roke ohranajte tople ter suhe. V primeru da pride do otrplosti, ščemenja, bolečin ali beljenja kože, prenehajte uporabljati to orodje, obvestite delodajalca in se posvetujte z zdravnikom.
- Orodje držite lahkotno vendar trdno, ker je tveganje zaradi vibracij na splošno večje, če orodje držite močnejše. Če je možno, uporabite suspenzijsko roko ali namestite stranski ročaj.
- Za preprečitev nepotrebnega povečanja ravnih hrupa in vibracij:
- orodje upravljajte in vzdržujte, dodatke in potrošni material pa izberite, vzdržujte in menjajte skladno s tem priročnikom z navodili;
- Ne uporabljajte obrabljenih ali slabo prilegajočih se nastavkov izvijača, puš ali podaljškov.

Nevarnosti na delovnem mestu

- Glavni vzroki za resne poškodbe ali smrt so zdrsi, spotiki in padci. Pazite na cevi, puščene na hodniku ali na delovni površini.
- Izogibajte se vdihavanju prahu ali hlapov ostankov iz delovnega procesa, ki lahko povzročijo poslabšanje zdravja (na primer, raka, dedne okvare, astmo in/ali dermatitis).

Kadar delate z materiali, ki ustvarjajo leteče delce, uporabite sistem za odsesavanje prahu in nosite zaščito za dihala.

- Mogoče je, da bo prah, ki nastane pri peskanju, žaganju, brušenju, vrtanju ali drugih gradbenih dejavnostih, vseboval kemikalije, za katere je v zvezni državi Kaliforniji znano, da povzročajo raka, napake pri rojstvu ali druge razmnoževalne poškodbe. Nekateri primeri teh kemikalij so:
 - svinec iz barv na svinčeni osnovi
 - kristalinične kremenove opeke in cement ter drugi zidarski proizvodi
 - arzen in krom s kemijsko obdelane gume

Vaše tveganje pri teh izpostavljenjih je odvisno od tega, kako pogosto opravljate to vrsto dela. Da boste zmanjšali izpostavljenost tem kemikalijam: delajte v dobro prezračenem prostoru ter uporabljajte odobreno zaščitno opremo, kot so maske za prah, ki so izrecno namenjena za filtriranje mikroskopskih delcev.

- V neznanih okoliščinah bodite izjemno previdni. Zavedajte se mogočih nevarnosti, ki jih lahko ustvarite s svojimi delovnimi aktivnostmi. To orodje ni izolirano pred stikom z viri električnega toka.
- To orodje ni namenjeni uporabi v prostorih, kjer obstaja možnost eksplozije.

i Dodatne varnostne informacije o prenosnih pnevmatskih orodjih:

- CAGI 2528 - B186.1, VARNOSTNA KODA ZA PRENOSNA PNEVMATSKA ORODJA, na voljo v dokumentaciji Global Engineering na <https://global.ihs.com/> ali po telefonu +1 800 447-2273. V primeru težav pri pridobivanju standardov ANSI se obrnite na ANSI preko spletne strani <https://www.ansi.org/>.

Koristne informacije

Varnostni list

Varnostni listi opisujejo kemične izdelke, ki jih prodaja družba Chicago Pneumatic.

Prosimo, za več informacij pogledajte na spletno stran družbe Chicago Pneumatic - qr.cp.com/sds.

Država izvora

Hungary

Spletno mesto

Informacije o naših izdelkih, dodatni opremi, nadomestnih delih in objavljenih publikacijah lahko najdete na spletni strani Chicago Pneumatic.

Prosimo, obiščite: www.cp.com.

Avtorske pravice

© Avtorske pravice 2022, CHICAGO PNEUMATIC Tool Co.LLC, 1815 Clubhouse Road, Rock Hill, SC 29730 - USA

Vse pravice pridržane. Vsaka nepooblaščen uporaba ali razmnoževanje vsebine ali delov vsebine je prepovedano. To še posebej velja za blagovne znamke, označbe modelov, številke delov in slike. Uporabite samo pooblaščen dele. Garancija ali jamstvo za izdelek ne krije nobenih poškodb ali nepravilnega delovanja, ki ga povzroči uporaba nepooblaščenih delov.

Date tehnice

Date despre unealtă

	Turație liberă (rpm)	Greutate (kg)	Greutate (lb)
CP2810	2400	0.8	1.8
CP2811	750	0.9	2.0
CP2812	950	1.1	2.4
CP2814	1100	0.8	1.8

Tabel 3: Șurubelniță pistol

- i** Presiunea maximă de lucru la viteză liberă este de 6,3 bar / 90 psig.

	Turație liberă (rpm)	Greutate (kg)	Greutate (lb)
CP2822	1300	0.9	2.0
CP2824	1500	0.9	2.0

Tabel 4: Șurubelniță dreaptă

- i** Presiunea maximă de lucru la viteză liberă este de 6,3 bar / 90 psig.

Accesorii suplimentare

Pentru modelele de mai jos trebuie folosit un mâner lateral dacă cuplul depășește **10 Nm** pentru șurubelniță pistol și **4 Nm** pentru șurubelniță dreaptă.

Model	Număr piesă mâner lateral
CP2810	6151820079
CP2811	6151820079

Model	Număr piesă mâner lateral
CP2812	6151820078
CP2822	6151820078

Declarații

Declarație de conformitate UE

Noi, CHICAGO PNEUMATIC Tool Co.LLC, 1815 Clubhouse Road, Rock Hill, SC 29730 - USA, declarăm pe propria răspundere că produsul (cu denumirea, tipul și numărul de serie - vezi prima pagină) este conform cu următoarea Directivă / următoarele Directive:

2006/42/EC

Standarde armonizate aplicate:

EN 11148-6:2012



Autoritățile pot solicita informații tehnice corespunzătoare de la:

Pascal Roussy, R&D Manager, Ets Georges Renault, 38 rue Bobby Sands, BP10273 44818 Saint Herblain, France

Saint-Herblain, 2022/05/25

Pascal ROUSSY

Semnătura emitentului

Declarație cu privire la nivelul de zgomot și de vibrații

Nivel sonor - ISO 15744

Model	LpA dB(A)	LWA dB(A)
CP2810	83	94
CP2811	83	94
CP2812	82	93
CP2814	76	87
CP2822	83	94
CP2824	73	-

LpA dB(A): nivelul presiunii sunetului

LWA dB(A): nivelul puterii sunetului

K / KpA = KWA = 3 dB: incertitudine

Nivel vibrații -ISO 28927-2

	ahd (m/s ²)	K (m/s ²)
Toate modelele	<2.5	-

ahd, ah: nivelurile vibrațiilor

Aceste valori declarate au fost obținute la testarea în laborator în conformitate cu standardele menționate și se pot compara cu valorile declarate ale celorlalte unelte testate în conformitate cu respectivele standarde. Aceste valori declarate nu pot fi folosite în cadrul evaluărilor de risc iar valorile măsurate la unitățile de lucru individuale pot fi mai mari. Valorile efective ale expunerii și riscul de vătămare suportat de un utilizator individual sunt unice și depind de modul de des-

fășurare a activității utilizatorului, de tipul lucrării și de designul spațiului de lucru, precum și de timpul de expunere și de condiția fizică a utilizatorului.

Noi, CHICAGO PNEUMATIC Tool Co.LLC, nu putem fi considerați răspunzători de consecințele utilizării valorilor nominale în locul celor ce reflectă expunerea reală, într-o evaluare individuală a riscurilor unei situații aferente unui post de lucru asupra cărora nu avem control.

Această unealtă poate produce sindromul de vibrație mână-braț dacă nu este utilizată în mod adecvat. Un ghid UE pentru controlul vibrațiilor mână-braț poate fi găsit accesând <http://www.pneurop.eu/index.php> și selectând "Tools" (instrumente), apoi "Legislation" (legislație).

Vă recomandăm un program de monitorizare a sănătății pentru a detecta simptomele timpurii care pot apărea ca urmare a expunerii la zgomot și vibrații, astfel încât procedurile de management să poată fi modificate pentru a ajuta la prevenirea agravării situației.

- ⓘ Dacă acest echipament este destinat aplicațiilor fixe: Emisia de zgomot este precizată ca un ghid pentru constructorul de mașini. Datele pentru emisia de zgomot și vibrații pentru întreaga mașină trebuie prezentate în manualul de instrucțiuni al mașinii.

Informații referitoare la Articolul 33 din REACH

Regulamentul European (UE) Nr. 1907/2006 privind Înregistrarea, Evaluarea, Autorizarea și restricționarea Substanțelor chimice (REACH) definește, printre altele, cerințele privind comunicarea din lanțul de aprovizionare. Cerința privind informarea se aplică și la produsele care conțin așa numitele Substanțe care prezintă motive de îngrijorare deosebită („Listă a substanțelor identificate în vederea unei eventuale includeri în procedura de autorizare”). Pe 27 iunie 2018 plumbul metal (CAS nr 7439-92-1) a fost adăugat la Lista substanțelor identificate în vederea unei eventuale includeri în procedura de autorizare.

Urmare a celor de mai sus, prin prezenta vă informăm că anumite componente mecanice din acest produs pot conține plumb metal. Aceasta este în conformitate cu legislația curentă privind restricția substanțelor și în baza excepțiilor legitime din Directiva RoHS (2011/65/UE). Plumbul metal nu se va scurge sau va suferi mutații din produs în timpul utilizării normale, concentrația de plumb metal din produsul finit este mult sub limitele prevăzute. Să aveți în vedere cerințele locale privind eliminarea plumbului la încheierea duratei de exploatare a produsului.

Cerințe regionale

⚠️ AVERTISMENT

Acest produs vă poate expune la substanțe chimice, inclusiv plumb, care este cunoscut Statului California ca fiind cauzator de cancer și de defecte la naștere sau de alte efecte nocive asupra funcției de reproducere. Pentru mai multe informații, accesați

<https://www.p65warnings.ca.gov/>

Siguranța

A NU SE ARUNCA - A SE PREDĂ UTILIZATORULUI

⚠️ AVERTISMENT Citiți toate avertismentele, instrucțiunile, ilustrațiile și specificațiile furnizate împreună cu produsul.

În cazul nerespectării tuturor instrucțiunilor de mai jos, este posibilă producerea unei electrocutări, unui incendiu, unor daune asupra proprietății și/sau a unei vătămări grave.

Păstrați toate avertismentele și instrucțiunile pentru consultări ulterioare.

⚠️ AVERTISMENT Trebuie respectate permanent toate reglementările de siguranță din legislația locală privind instalarea, utilizarea și întreținerea.

Declarație privind utilizarea

- Exclusiv pentru utilizarea profesională.
- Acest produs și accesoriile sale nu trebuie modificate în niciun fel.
- Nu utilizați acest produs dacă este deteriorată.
- În cazul în care datele produsului sau etichetele de avertizare la pericole de pe acesta devin ilizibile sau se detașează, înlocuiți-le imediat.
- Produsul trebuie instalat, utilizat și întreținut exclusiv de către personalul calificat, într-un mediu industrial.

Scop preconizat

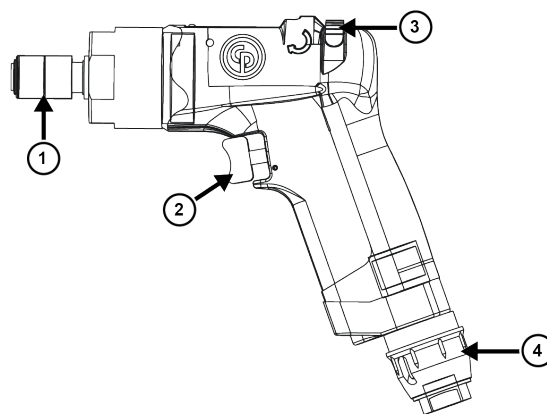
Acest produs este destinat instalării și demontării pieselor de asamblare filetate din lemn, metal sau plastic. A se folosi exclusiv la interior.

Nu este permis niciun alt scop de utilizare.

Utilizarea unor piese de schimb sau accesorii, altele decât cele originale, recomandate sau furnizate de către producător pot duce la scăderea în performanță a sculei și la costuri ridicate cu întreținerea sculei, intensificarea nivelului vibrațiilor și, prin urmare, chiar la pierderea garanției oferite de producător.

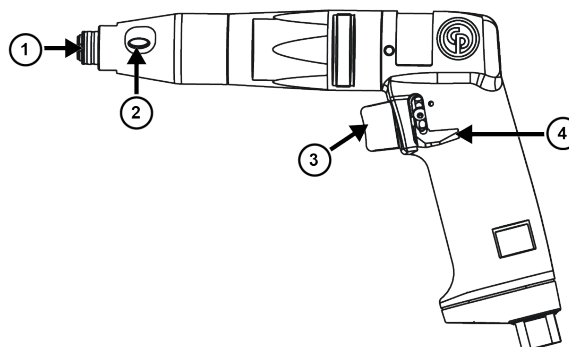
Instrucțiuni specifice produsului

Descrierea produsului



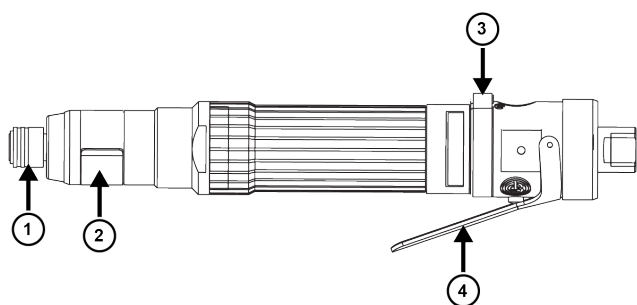
Ilustrație 12: CP2810 / CP2811 / CP2812

Reper	Descriere
1	Mandrină cu schimbare rapidă
2	Declanșator
3	Buton rotație inversă
4	Evacuare aer reglabilă



Ilustrație 13: CP2814

Reper	Descriere
1	Mandrină cu schimbare rapidă
2	Acces reglare cuplu
3	Declanșator
4	Buton rotație inversă



Ilustrație 14: CP2822 / CP2824

Reper	Descriere
1	Mandrină cu schimbare rapidă
2	Acces reglare cuplu
3	Buton rotație inversă
4	Declanșator

Instalarea uneltei

1. Fixați corespunzător accesoriile pe unelte.
2. Conectați uneltele conform descrierii din secțiunea Air diagram [pagina 4].

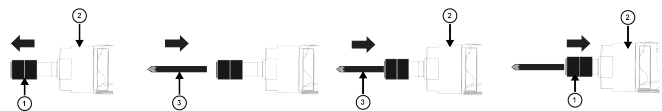
Pornirea uneltei

⚠️ AVERTISMENT Pericole în timpul utilizării

Înainte de pornirea uneltei, asigurați-vă că aceasta este conectată corect la alimentarea pneumatică.

- Verificați conexiunea pneumatică.
- Consultați diagrama de aer.

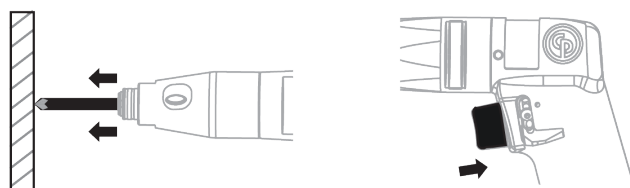
Instalarea bitului



1. Trageți mandrina cu schimbare rapidă (1) de pe unelță (2).
2. Poziționați bitul (3).
3. Introduceți bitul (3) în unelță (2).
4. Împingeți mandrina cu schimbare rapidă (1) pe unelță (2).
5. Asigurați-vă că mandrina cu schimbare rapidă (1) este instalată corespunzător.

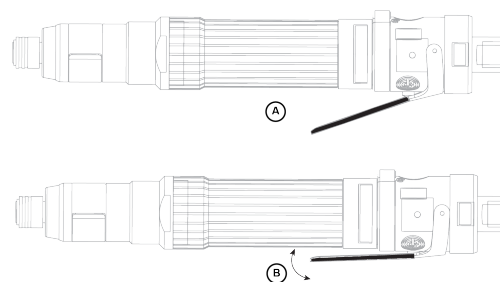
Apăsarea declanșatorului

Pentru CP2810 / CP2811 / CP2812 / CP2814



Pentru a opera unelța cu pornire prin apăsare:

1. Aplecați presiune pe bit în timp ce unelța este în funcțiune pe obiect.
2. Apăsați declanșatorul uneltei.

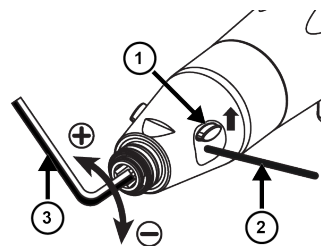


Ilustrație 15: CP2822 / CP2824

A	Declanșator OPRIT
B	Declanșator PORNIT

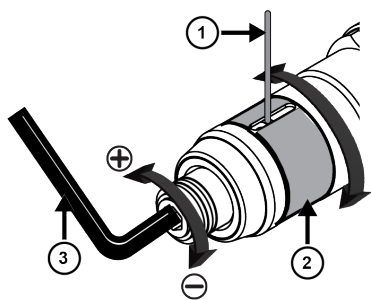
Reglarea cuplului

Pentru CP2812 / CP2814



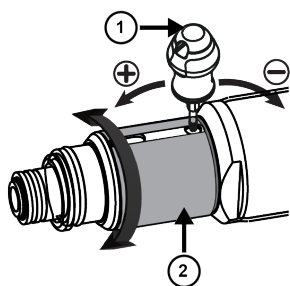
1. Împingeți în sus capacul de acces pentru reglare cuplu (1).
2. Introduceți o bară (2).
3. Introduceți o cheie Allen (3) de 6,35 mm pentru a regla cuplul.
4. Împingeți în jos capacul de acces pentru reglare cuplu (1).

Pentru CP2822



1. Rotiți capacul de acces pentru reglare cuplu (2) pentru a accesa locașul.
2. Introduceți o bară (1).
3. Introduceți o cheie Allen (3) de 6,35 mm pentru a regla cuplul.
4. Rotiți capacul de acces pentru reglare cuplu (2) în poziția sa originală.

Pentru CP2824



1. Rotiți capacul de acces pentru reglare cuplu (2) pentru a accesa locașul.
2. Introduceți șurubelnița de reglat ambreiajul (1) pentru reglarea cuplului.
3. Rotiți capacul de acces pentru reglare cuplu (2) în poziția sa originală.

Instrucțiuni generale de siguranță

Pericole asociate alimentării cu aer și conexiunilor

- Aerul comprimat poate cauza vătămări grave.
- Când nu utilizați unealta, înaintea înlocuirii accesoriilor sau când efectuați reparații, opriți alimentarea cu aer, goliți furtunul de aer comprimat și deconectați unealta de la sursa de aer.
- Nu îndreptați niciodată jetul de aer spre persoane.
- Furtunurile cu aer comprimat scăpate de sub control pot provoca vătămări grave. Verificați întotdeauna dacă există furtunuri și racorduri deteriorate sau slabe.
- Nu folosiți cuplaje de deconectare rapidă la această unealtă. Pentru asamblarea corectă consultați instrucțiunile.
- Dacă folosiți cuplaje universale cu răsucire, trebuie montate știfturi de blocare.
- Nu depășiți presiunea maximă a aerului de 6,3 bar / 90 psig sau cea specificată pe plăcuța cu datele tehnice de pe unealtă.

Pericole de agățare și încurcare

- Păstrați distanța față de axul rotativ. Este posibilă producerea de strangulări, scalpări sau lacerări dacă hainele largi, mănușile, bijuteriile, podoabele pentru gât și părul nu sunt ținute la distanță de unealtă și de accesoriile acesteia.
- Mănușile se pot prinde în axul rotativ, provocând secționarea sau fracturarea degetelor.
- Adaptoarele axului rotativ și prelungitoarele de acționare pot apuca cu ușurință mănușile cauciucate sau cu ranforsare metalică.
- Nu purtați mănuși largi, cu degete franjurate sau fără degete.
- Nu apucați niciodată axul, adaptorul sau prelungitorul de acționare.

Pericolele reprezentate de obiectele proiectate

- Purtați întotdeauna o mască de protecție rezistentă la șoc pentru ochi și față atunci când utilizați, reparați sau întrețineți o unealtă, când schimbați accesoriile acesteia sau când vă aflați în apropiere în cursul acestor operațiuni.
 - Asigurați-vă că toți cei aflați în zonă poartă măști de protecție rezistente la impact pentru ochi și față. Chiar și obiectele proiectate de mici dimensiuni pot răni ochii și provoca orbirea.
 - Dispozitivele de strângere aflate la valori de cuplu prea mici sau prea mari se pot sparge sau slăbi și desprinde, provocând vătămări grave. Ansamblurile eliberate pot deveni proiectile. Ansamblurile care necesită un anumit cuplu trebuie verificate cu ajutorul unui torsionmetru.
- OBSERVAȚIE:** Așa-numitele chei pneumatice cu "clchet" nu verifică dacă înșurubarea este excesivă, ceea ce poate fi periculos.
- Nu folosiți chei pentru acționare manuală. Folosiți doar chei electrice sau chei de impact, în stare bună.
 - Piesa de prelucrat trebuie fixată ferm.

Pericole în timpul utilizării

- Întrerupeți alimentarea cu aer comprimat înainte de utilizarea bitului sau adaptorului pentru șurubelniță, înainte de reglarea angrenajului sau dezamblării uneltei.
- Operatorii și personalul de întreținere trebuie să fie apți din punct de vedere fizic să controleze volumul, greutatea și forța uneltei.
- Unealta trebuie manevrată corespunzător: fiți pregătit să compensați eventualele mișcări normale sau bruște. Trebuie să aveți ambele mâini libere.
- Imediat după reglarea cuplajului, verificați dacă unealta funcționează corect.
- A nu se utiliza dacă presiunea aerului comprimat este redusă sau în condiții de uzură: este posibil să nu funcționeze cuplajul și să se producă o rotație neașteptată a mânerului uneltei.
- Întotdeauna apucați strâns mânerul uneltei, în sens opus față de sensul de rotație a axului acesteia, pentru a reduce efectul reacției bruște a cuplului în timpul strângerii finale și desfacerii inițiale.

- Dacă este posibil, folosiți un braț de suspensie pentru a absorbi cuplul de reacție. Dacă acest lucru nu este posibil, se recomandă folosirea mânerelor laterale pentru uneltele drepte și pentru cele cu prindere tip pistol; pentru cheile unghiulare se recomandă barele de reacție. În orice caz, se recomandă utilizarea de mijloace de absorbție a cuplului peste 4 Nm (3 lbf.ft) pentru uneltele drepte, peste 10 Nm (7,5 lbf.ft) pentru cele cu prindere tip pistol și peste 60 Nm (44 lbf.ft) pentru cheile unghiulare.
- Există pericolul zdrobirii degetelor în cheile electrice cu cap deschis.
- Nu folosiți unealta în spații limitate, înguste: Procedați cu atenție pentru a nu vă zdrobiți mâinile între unealtă și piesa de prelucrat, mai ales atunci când deșurubați.

Pericole asociate mișcărilor repetitive

- Când utilizează o unealtă electrică pentru activități lucrative, operatorul poate resimți disconfort la nivelul mâinilor, brațelor, umerilor, gâtului sau altor zone ale corpului.
- Adoptați o poziție confortabilă, mențineți-vă sprijinul pe picioare și evitați pozițiile ciudate sau precare. Modificarea poziției în timpul executării unor sarcini prelungite poate evita disconfortul și oboseala.
- Nu ignorați simptomele precum disconfortul, durerile, tremurăturile, furnicăturile, amorțeala, senzațiile de arsură sau rigiditatea persistente și recurente. Încetați utilizarea uneltei, comunicați acest lucru angajatorului și adresați-vă unui medic.

Pericole asociate zgomotului și vibrațiilor

- Nivelul ridicat al sunetului poate provoca hipoacuzia permanentă și alte probleme precum acufena. Folosiți mijloace de protecție pentru auz, așa cum este recomandat de către angajator sau în reglementările de siguranță și sănătate ocupațională.
- Expunerea la vibrații poate provoca dizabilități la nivelul nervilor și circulației mâinilor și brațelor. Purtați îmbrăcăminte caldă și păstrați-vă mâinile calde și uscate. Dacă remarcați amorțeală, furnicături, durere sau albirea pielii încetați utilizarea uneltei, comunicați acest lucru angajatorului și consultați un medic.
- Țineți unealta ușor dar sigur, deoarece riscul asociat vibrațiilor este mai mare dacă forța de apucare este crescută. Dacă este posibil folosiți un braț de suspensie sau montați un mâner lateral.
- Pentru prevenirea creșterii accidentale a nivelului de zgomot și vibrații:
- Utilizați și întrețineți unealta și selectați, întrețineți și înlocuiți accesoriile și consumabilele, conform instrucțiunilor prezentate în acest manual;
- Nu utilizați bituri, adaptoare sau prelungitoare de șurubelniță uzate sau care nu se potrivesc corespunzător.

Riscuri asociate locului de muncă

- Alunecările/împiedicarea/căzăturile sunt cauze majore de vătămare gravă sau deces. Acordați atenție porțiunilor de furtun rămase pe podea sau pe suprafața de lucru.

- Evitați inhalarea pulberilor, vaporilor sau sfărâmurilor produse în procesul de lucru deoarece pot produce îmbolnăviri (de exemplu cancer, malformații la naștere, astm și/sau dermatite). Când lucrați cu materiale care pot produce particule în suspensie, utilizați extractoare de praf și purtați echipament de protecție a căilor respiratorii.
- Anumite tipuri de praf produs prin sablare, tăiere, polizare, găurire sau în urma altor activități din construcții conțin substanțe chimice care, după cum se știe în statul California, sunt cancerigene și provoacă malformații congenitale sau afecțiuni reproductive. Printre aceste chimicale se numără:
 - Plumbul din vopsele pe bază de plumb
 - Căramizile și cimentul pe bază de oxid de siliciu cristalizat și alte produse de zidărie
 - Arsenicul și cromul din cauciucul tratat chimic

Riscul specific acestor expuneri variază în funcție de frecvența efectuării activității respective. Pentru a reduce expunerea la aceste chimicale: lucrați într-o zonă bine aerisită și dotată cu echipamente de protecție aprobate, precum măștile de praf proiectate special pentru filtrarea particulelor microscopice.

- Procedați cu atenție în medii insuficient cunoscute. Conștientizați riscurile asociate activității desfășurate. Această unealtă nu este izolată în cazul contactului cu surse electrice.
- Această sculă electrică nu este destinată utilizării în atmosfere potențial explozive.

Informații suplimentare referitoare la siguranța uneltelor pneumatice portabile:

- CAGI 2528 - B186.1, CODUL DE SIGURANȚĂ PENTRU UNELTE PNEUMATICE PORTABILE, disponibile la Global Engineering Documents la <https://global.ihs.com/> sau sunați la +1 800 447-2273. Dacă apar dificultăți în obținerea standardelor ANSI, contactați ANSI prin <https://www.ansi.org/>

Informații utile

Fișă tehnică de securitate

Fișele tehnice de securitate descriu produsele chimice vândute de Chicago Pneumatic.

Pentru mai multe informații, consultați site-ul web Chicago Pneumatic qr.cp.com/sds.

Țara de origine

Hungary

Site web

Informațiile referitoare la Produsele, Accesoriile, Piese de schimb și Publicațiile noastre se găsesc pe site-ul web Chicago Pneumatic.

Vă rugăm să vizitați: www.cp.com.

Drepturi de autor

© Copyright 2022, CHICAGO PNEUMATIC Tool Co.LLC, 1815 Clubhouse Road, Rock Hill, SC 29730 - USA

Toate drepturile rezervate. Este interzisă utilizarea sau copierea integrală sau parțială a conținutului. Acest lucru este valabil pentru mărcile comerciale, denumirile modelelor, numerele componentelor și schițe. A se utiliza exclusiv piese autorizate. Eventualele deteriorări sau defecțiuni cauzate prin utilizarea de piese neautorizate nu este acoperită de garanție nici de certificatul de conformitate.

Teknik Veriler**Alet Verileri**

	Serbest hız (dev/dk)	Ağırlık (kg)	Ağırlık (lb)
CP2810	2400	0.8	1.8
CP2811	750	0.9	2.0
CP2812	950	1.1	2.4
CP2814	1100	0.8	1.8

Tablo 3: Tabanca Tipi Tornavida

ⓘ Serbest hızda maksimum çalışma basıncı 6,3 bar / 90 psig.

	Serbest hız (dev/dk)	Ağırlık (kg)	Ağırlık (lb)
CP2822	1300	0.9	2.0
CP2824	1500	0.9	2.0

Tablo 4: Düz Tornavida

ⓘ Serbest hızda maksimum çalışma basıncı 6,3 bar / 90 psig.

Ek Aksesuarlar

Aşağıdaki modeller için, tabanca tipi tornavida için tork **10 Nm**'yi ve düz tornavida için **4 Nm**'yi aşıyorsa bir yan tutamak kullanılmalıdır.

Model	Yan Tutamak Parça Numarası
CP2810	6151820079
CP2811	6151820079

Model	Yan Tutamak Parça Numarası
CP2812	6151820078
CP2822	6151820078

Beyanlar**AB Uygunluk Beyanı**

Bizler, CHICAGO PNEUMATIC Tool Co.LLC, 1815 Clubhouse Road, Rock Hill, SC 29730 - USA olarak, kendi münhasır sorumluluğumuz altında ürünün (adı, tipi ve seri numarası ile ön sayfaya bakınız) aşağıdaki Direktif(ler) ile uyumlu olduğunu beyan ederiz:

2006/42/EC

Geçerli dengelenmiş standartlar:
EN 11148-6:2012



Yetkili makamlar ilgili teknik bilgileri şuradan isteyebilir:
Pascal Roussy, R&D Manager, Ets Georges Renault, 38 rue Bobby Sands, BP10273 44818 Saint Herblain, France

Saint-Herblain, 2022/05/25

Pascal ROUSSY

Hazırlayanın imzası

Gürültü ve Titreşim Açıklaması

Ses Seviyesi - ISO 15744

Model	LpA dB(A)	LWA dB(A)
CP2810	83	94
CP2811	83	94
CP2812	82	93
CP2814	76	87
CP2822	83	94
CP2824	73	-

LpA dB(A): ses basıncı seviyesi

LWA dB(A): ses gücü seviyesi

K / KpA = KWA = 3 dB: belirsizlik

Titreşim Seviyesi -ISO 28927-2

	ahd (m/s ²)	K (m/s ²)
Tüm Modeller	<2.5	-

ahd, ah: titreşim seviyeleri

Bu açıklanan değerler, belirtilen standartlara uygun olarak laboratuvar testlerinde elde edilmiştir ve aynı standartlara göre test edilen diğer aletlerin açıklanan değerleriyle karşılaştırma için uygundur. Bu açıklanan değerler risk değerlendirmelerinde kullanım için yeterli değildir ve ayrı iş yerlerinde ölçülen değerler daha yüksek olabilir. Maruz kalma değerleri ve bireysel kullanıcının görebileceği zarar riski duruma özgüdür ve kullanıcının çalışma şekline, çalışılan parçaya ve iş istasyonu tasarımı ile kullanıcının maruz kalma süresi ve fiziksel durumuna bağlıdır.

Bizler, **CHICAGO PNEUMATIC Tool Co.LLC** olarak, kontrolümüz olmayan bir iş yerinde risk değerlendirmesi için geçerli maruz kalmayı yansıtan değerler yerine açıklanan değerlerin kullanılmasının sonuçlarından sorumlu tutulamayız.

Bu alet, kullanımı yeterli derecede yönetilmediğinde el-kol titreşimi sendromuna yol açabilir. El-kol vibrasyonunu yönetmekle ilgili AB kılavuzuna, <http://www.pneurop.eu/index.php> sitesinde, 'Tools' (Araçlar) ve 'Legislation' (Mevzuat) seçeneğinden ulaşılabilir.

Yönetme prosedürlerinin gelecekteki hasarı önlemeye yardımcı olacak şekilde değiştirilebilmesi için gürültü ve titreşime maruz kalmayla ilgili olabilecek belirtileri erken tespit etmek için bir sağlık gözetim programı öneriyoruz.

- ⓘ Eğer bu ekipman sabitlenen uygulamalara yönelikse: Gürültü emisyonu makine kurucusu için bir rehber olarak verilir. Tüm makine için gürültü ve titreşim emisyonu verileri makine kullanım kılavuzunda verilmiştir.

REACH Madde 33 ile ilgili bilgiler

Kimyasalların Tescili, Değerlendirilmesi, İzni ve Kısıtlanması (REACH) ile ilgili 1907/2006 sayılı Avrupa Yönetmeliği (AB), tedarik zincirinde iletişim ile ilgili diğer gereklilikleri tanımlamaktadır. Bilgi gereklilikleri ayrıca Çok Yüksek Endişe Verici Maddeler ("Aday Listesi") içeren ürünler için de geçerlidir. 27 Haziran 2018 tarihinde Aday Listesine kurşun metali (CAS No. 7439-92-1) eklenmiştir.

Yukarıdaki bilgilere göre bu, üründeki belirli mekanik bileşenlerin kurşun metali içerebileceğini bildirmektedir. Bu, yürürlükteki madde kısıtlama mevzuatına uygundur ve RoHS Yönergesindeki (2011/65/EU) yasal muafiyetlere dayanmaktadır. Kurşun metali normal kullanım sırasında üründen sızıntı yapmaz veya mutasyona uğramaz ve tüm üründeki kurşun metali konsantrasyonu geçerli eşik sınırının oldukça altındadır. Lütfen ürünün kullanım ömrü sonunda kurşunu bertarafı konusunda ilgili yerel gereklilikleri dikkate alın.

Bölgesel Gereklilikler

⚠ UYARI

Bu ürün Kaliforniya eyaleti tarafından kansere ve doğum kusurlarına veya diğer üreme rahatsızlıklarına neden olduğu bilinen kurşun dahil olmak üzere çeşitli kimyasallara maruz kalmanıza neden olabilir. Daha fazla bilgi için <https://www.p65warnings.ca.gov/> adresini ziyaret edin

<https://www.p65warnings.ca.gov/>

Güvenlik

ATMAYIN - KULLANICIYA VERİN

⚠ UYARI Bu ürünle birlikte verilen tüm güvenlik uyarılarını, talimatları, gösterimleri ve spesifikasyonları okuyun.

Aşağıda belirtilen tüm talimatlara uymamak, elektrik çarpmasına, yangına, maddi zarara ve/veya ciddi kişisel yaralanmaya yol açabilir.

Bütün uyarıları ve talimatları ileride kullanmak için saklayın.

⚠ UYARI Kurulum, kullanım ve bakıma ilişkin tüm yerel güvenlik kurallarına her zaman uyulmalıdır.

Kullanım Beyanı

- Sadece profesyonel kullanım içindir.
- Bu ürün ve parçalarının hiçbir şekilde tadil edilmemesi gerekir.
- Bu ürün hasar görmüşse kullanmayın.
- Ürün verileri veya tehlike uyarı işaretleri okunamaz hale gelirse veya sökülürse, zaman kaybetmeden yenileyin.
- Ürün endüstriyel bir ortamda sadece nitelikli personel tarafından kurulmalı, çalıştırılmalı ve servisi yapılmalıdır.

Kullanım Amacı

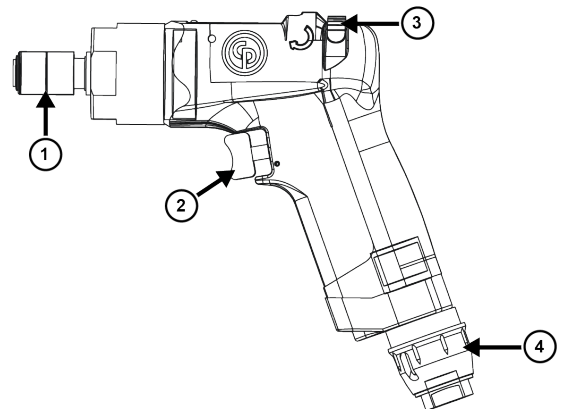
Bu ürün, ahşap, metal veya plastik vidalı sabitleyicileri takmak ve sökmek için tasarlanmıştır. Sadece kapalı mekanda kullanım için.

Diğer her türlü kullanımı yasaktır.

Üretici tarafından orijinal olarak sağlananlar dışında yedek parça veya aksesuarların kullanılması performansta düşüşe ve artan bakım, gürültü seviyesi veya titreşime ve bunun sonucunda üreticinin sorumluluğunun tamamen ortadan kaldırılmasına neden olabilir.

Ürüne Özel Talimatlar

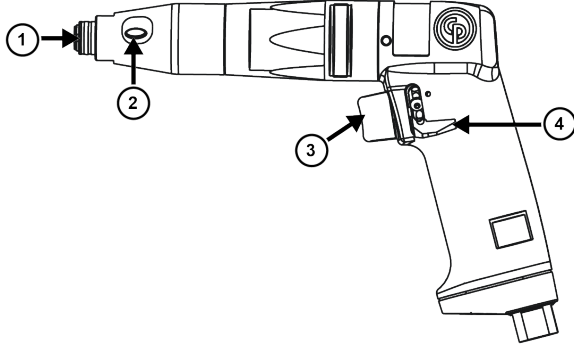
Ürün Açıklaması



Resim 12: CP2810 / CP2811 / CP2812

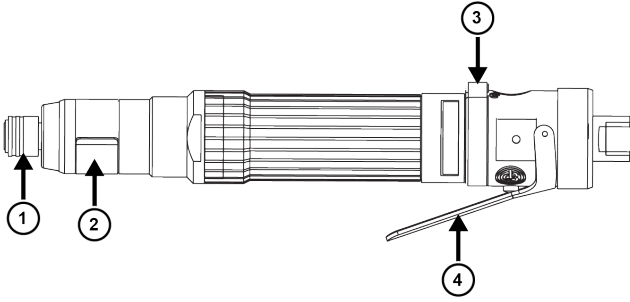
Madde	Açıklama
1	Çabuk Değiştirilen Mandren
2	Tetik

Madde	Açıklama
3	Ters Yön Düğmesi
4	Ayarlanabilir Hava Çıkışı



Resim 13: CP2814

Madde	Açıklama
1	Çabuk Değiştirilen Mandren
2	Tork Ayarı Erişimi
3	Tetik
4	Ters Yön Düğmesi



Resim 14: CP2822 / CP2824

Madde	Açıklama
1	Çabuk Değiştirilen Mandren
2	Tork Ayarı Erişimi
3	Ters Yön Düğmesi
4	Tetik

Aletin Montajı

1. Aksesuarları alete düzgün bir biçimde takın.
2. Aletleri Air diagram [sayfa 4] bölümünde gösterildiği gibi bağlayın.

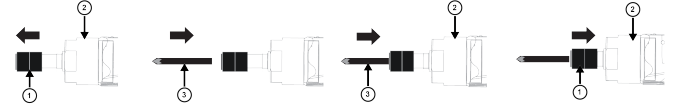
Aletin Çalıştırılması

⚠ UYARI Çalıştırma Tehlikeleri

Aleti çalıştırmadan önce aletin pnömatrik beslemeye düzgün şekilde bağlandığından emin olun.

- Pnömatrik bağlantıyı kontrol edin.
- Hava şemasına bakın.

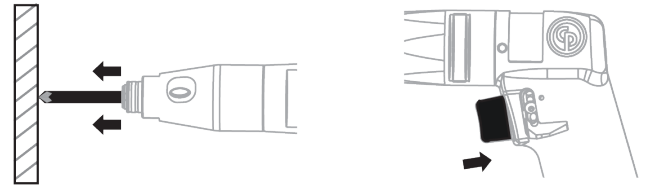
Ucun takılması



1. Çabuk değiştirilen mandreni (1) aletten (2) çekin.
2. Ucu (3) konumlandırın.
3. Ucu (3) alete (2) takın.
4. Çabuk değiştirilen mandreni (1) alete (2) itin.
5. Çabuk değiştirilen mandrenin (1) doğru takıldığından emin olun.

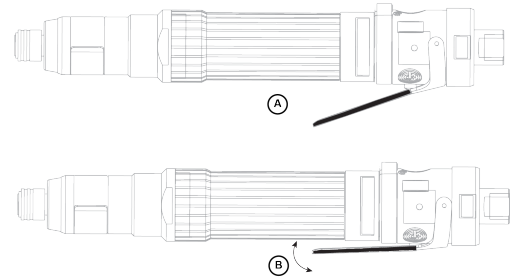
Tetiğe basın

CP2810 / CP2811 / CP2812 / CP2814 için



Aleti çalıştırmak için bas-başlat düğmesi:

1. Alet çalışırken uca baskı uygulayın.
2. Aletin tetiğine basın.

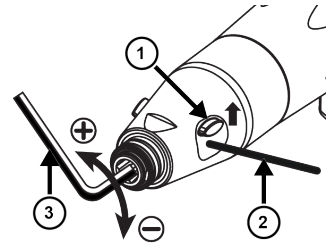


Resim 15: CP2822 / CP2824

A	Tetik KAPALI
B	Tetik AÇIK

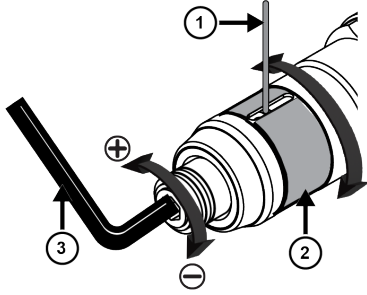
Torkun Ayarlanması

CP2812 / CP2814 için



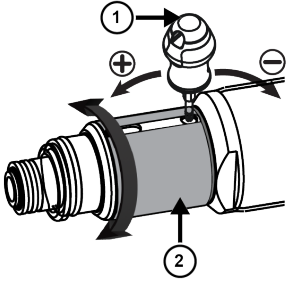
1. Tork ayarı erişim kapağını (1) yukarı kaydırın.
2. Bir sap (2) yerleştirin.
3. Torku ayarlamak için 6,35 mm boyutunda alyan anahtarı (3) takın.
4. Tork ayarı erişim kapağını (1) aşağı kaydırın.

CP2822 için



1. Yuvaya erişmek için tork ayarı erişim kapağını (2) çevirin.
2. Bir sap (1) yerleştirin.
3. Torku ayarlamak için 6,35 mm boyutunda alyan anahtarı (3) takın.
4. Tork ayarı erişim kapağını (2) orijinal konumuna döndürün.

CP2824 için



1. Yuvaya erişmek için tork ayarı erişim kapağını (2) çevirin.
2. Torku ayarlamak için kavrama ayar tornavidasını (1) yerleştirin.
3. Tork ayarı erişim kapağını (2) orijinal konumuna döndürün.

Genel güvenlik talimatları

Hava kaynağı ve bağlantı tehlikeleri

- Basınçlı hava ciddi yaralanmaya neden olabilir.
- Kullanılmadığı zamanlarda, aksesuarlarını değiştirmeden önce ya da onarım yaparken daima hava beslemesini kapatın, hortumun havasını boşaltın ve aletin hava beslemesi bağlantısını kesin.
- Hiçbir zaman havayı kendinize ya da başka birine yöneltmeyin.
- Kontrolsüz fırlayan hortumlar ciddi yaralanmalara neden olabilir. Her zaman hasarlı ya da gevşek hortum ve bağlantı parçası olup olmadığını kontrol edin.
- Çabuk açılır kuplörleri alette kullanmayın. Doğru kurulum için talimatlara bakın.
- Üniversal helezon kuplörler kullanıldığında, kilitleme pimleri takılmalıdır.
- Maksimum 6,3 bar / 90 psi veya alet tanıtım plakasında belirtilmiş olan hava basıncını aşmayın.

Takılma tehlikeleri

- Döner tahrikten uzak durun. Giysiler, eldivenler, takılar, kolyeler ve saçlar, aletten ve aksesuarlardan uzak tutulmazsa, boğulmaya, soyulmalara ve / veya yırtılmalara neden olabilir.
- Eldivenler dönen tahriğe takılarak parmakların kopmasına veya kırılmasına neden olabilir.
- Döner tahrik soketleri ve tahrik uzantıları kolaylıkla kauçuk kaplı veya metal takviyeli eldivenlere takılabilir.
- Bol gelen eldivenleri veya kesik veya yıpranmış parmaklara sahip eldivenleri giymeyin.
- Tahriği, soketi veya tahrik uzantısını asla tutmayın.

Fırlama tehlikeleri

- Çalıştırma göreviniz varsa veya alete yakın çalışıyorsanız, aletin bakım veya onarımını yapıyor veya alette aksesuar değiştiriyorsanız, daima darbeye dayanıklı göz ve yüz koruması takın.
- Alandaki diğer herkesin darbeye dayanıklı göz ve yüz maskesi kullandığından emin olun. Küçük parçacıklar bile gözleri yaralayabilir ve körlüğe neden olabilir.
- Aşırı veya az tork uygulanmış bağlantı elemanlarının kopması, gevşemesi ve ayrılması sonucunda ciddi yaralanmalar oluşabilir. Serbest kalan parçalar fırlatabilir. Belirli bir tork gerektiren tertibatlar bir tork ölçer kullanılarak kontrol edilmelidir.

DİKKAT “Cırcırlı” tork anahtarları adı verilen anahtarlar, potansiyel olarak tehlikeli fazla tork uygulanmış koşulları kontrol etmez.

- El soketlerini kullanmayın. Sadece iyi durumdaki elektrikli veya darbeli soketler kullanın.
- İş parçasının sıkı bir şekilde bağlandığından emin olun.

Kullanım tehlikeleri

- Tornavida ucunu ya da soketi kullanmadan ya da aleti sökmeye başlamadan önce hava kaynağı ile bağlantısını kesin.
- Operatörler ve bakım personeli, aletin büyüklüğünü, ağırlığını ve gücünü fiziksel olarak taşıyabilecek durumda olmalıdır.
- Aleti doğru şekilde tutun: normal ya da ani hareketlere karşı hazırlıklı olun – gerektiğinde her iki elinizi de kullanabileceğiniz pozisyonda olun.
- Kavramayı ayarladıktan hemen sonra, doğru çalışıp çalışmadığını kontrol edin.
- Düşük hava basıncı ile veya yıpranmış bir halde kullanmayın: kavrama çalışmayabilir ve alet kolunun aniden dönmesine neden olabilir.
- Son sıkma ya da ilk gevşetme sırasında ani tork reaksiyonu etkisini azaltmak için, aletin sapını daima güvenli şekilde, mil dönüşünün aksi yönünde destekleyin.
- Mümkünse, reaksiyon torkunu absorbe etmek için bir askı kolu kullanın. Eğer bu mümkün değilse, düz ve kabız aletler için yan tutamaklar önerilir; reaksiyon çubukları açılı somun sıkma aletleri için önerilir. Her koşul altında, düz aletler için 4 Nm (3 lbf.ft) üzerindeki, kabız aletler için 10 Nm (7.5 lbf.ft) üzerindeki ve açılı

somun sıkma aletleri için 60 Nm (44 lbf.ft) üzerindeki reaksiyon torkunu absorbe etmek için bir destekleyici el-eman kullanılması önerilir.

- Parmaklarınız, açık uçlu karga ayaklı somun sıkma aletlerine sıkışabilir.
- Sınırlı alanlarda kullanmayın: özellikle vida çıkarma işlemi sırasında, ellerinizi alet ve iş parçası arasında sıkıştırmamaya dikkat edin.

Tekrarlanan hareket tehlikeleri

- İşe ilişkin aktivitelerde bulunurken elektrikli bir alet kullanıldığı zaman, operatör ellerde, kollarda, omuzlarda, boyunda ve vücudun diğer kısımlarında rahatsızlık hissedebilir.
- Yere sağlam basarak ve uygunsuz veya dengeyi bozacak duruşlardan kaçınarak konforlu bir duruş benimseyin. Uzun süreli görevler sırasında duruş pozisyonunun değiştirilmesi rahatsızlık ve yorgunluğun önlenmesine yardımcı olabilir.
- Devamlı veya yinelenen rahatsızlık, acı, çarpıntı, ağrı, karıncalanma, uyuşma, ateş basması veya gerginlik gibi belirtileri göz ardı etmeyin. Aleti kullanmayı bırakın, işverenimize haber verin ve bir doktora başvurun.

Gürültü ve Titreşim tehlikeleri

- Yüksek ses düzeyleri kalıcı işitme kaybına veya kulak çınlaması gibi sorunlara neden olabilir. İşvereninizin tavsiye ettiği veya iş sağlığı ve güvenliği yönetmeliklerinde belirtilen işitme koruması kullanın.
- Titreşime maruz kalmak ellere ve kollara gelen sinirlerin ve kan akışının zarar görmesine neden olabilir. Kalın giysiler giyin ve ellerinizi sıcak ve kuru tutun. Ciltte du-yarsızlık, karıncalanma, ağrı veya beyazlama oluşursa, aleti kullanmayı bırakın, işverenimize haber verin ve bir hekime başvurun.
- Titreşimden kaynaklanan risk, kavrama kuvveti yükseldikçe daha fazla olduğundan, aleti fazla sıkmadan ancak güvenli bir şekilde kavrayın. Mümkünse bir askı kolu kullanın veya bir yan tutamak takın.
- Gürültü ve titreşim seviyelerinde gereksiz artışları önlemek için:
- Aletin kullanımını ve bakımını, ve aksesuarların ve sarf malzemelerinin seçimini, bakımını ve değişimini bu kullanım kılavuzuna göre yapın;
- Yıpranmış veya tam uymayan tornavida uçlarını, soketleri veya eklentileri kullanmayın.

İşyeri tehlikeleri

- Kayma/Takılma/Düşme önemli bir yaralanma veya ölüm sebebidir. Yürüme ya da çalışma alanında kalan fazla hortuma karşı dikkatli olun.
- Çalışma sürecinde hastalığa neden olabilecek (örneğin, kanser, doğum kusurları, astım ve/veya dermatit) tozları veya dumanları solumaktan ya da döküntü/artık ile temastan kaçının. Havayla taşınan partiküller oluşturan malzemeler ile çalışırken toz çekme işlemi yapın ve solunum koruyucu donanım kullanın.
- Elektrikli zımparalama, doğrama, bileme, delme ve diğer yapı faaliyetlerinin neden olduğu bazı tozlar, California eyaleti tarafından kansere ve doğum kusurlarına veya

diğer üreme rahatsızlıklarına neden olduğu bilinen kimyasallar içermektedir. Bu kimyasallardan bazıları şunlardır:

- Kurşun bazı boyalardaki kurşun
- Kristalimsi silis tuğla ile çimento ve diğer duvarcılık ürünleri
- Arsenik ile kimyasal olarak işlenmiş kauçuktaki krom

Bu maruz kalmalar karşısındaki riskiniz bu tür işleri ne kadar sıklıkla yaptığınıza bağlı olarak değişiklik gösterir. Bu kimyasallara maruz kalma derecesini azaltmak için: iyi havalandırılmış alanlarda çalışın ve özellikle mikroskobik partikülleri filtrelemek üzere tasarlanmış toz maskeleri gibi onaylanmış güvenlik ekipmanı kullanarak çalışın.

- Bilmediğiniz ortamlarda dikkatli olun. İş aktivitenizin oluşturduğu potansiyel tehlikelere dikkat edin. Bu alet, elektrik gücü kaynaklarına temasa karşı izolasyonlu değildir.
- Bu aletin patlama riski taşıyan ortamlarda kullanılmaması önerilir.

Portatif havali aletlerle ilgili ek güvenlik bilgileri:

- CAGI 2528 - B186.1, PORTATİF HAVALI ALETLER İÇİN GÜVENLİK KODU, <https://global.ihs.com/> adresinden Global Mühendislik Dokümanlarından veya +1 800 447-2273 numaralı telefonu arayarak öğrenilebilir. ANSI standartlarını temin etmekte zorluk yaşıyorsanız <https://www.ansi.org/> adresinden ANSI'yle temas kurunuz.

Faydalı Bilgiler

Güvenlik Bilgi Formu

Güvenlik Bilgi Formları Chicago Pneumatic tarafından satılan kimyasal ürünleri tanımlamaktadır.

Daha fazla bilgi için lütfen Chicago Pneumatic web sitesini qr.cp.com/sds ziyaret edin.

Menşei ülke

Hungary

Web sitesi

Ürünlerimiz, Aksesuarlarımız, Yedek Parçalarımız ve Yayınlanmış Makalelerimizle ilgili bilgileri Chicago Pneumatic web sitesinde bulabilirsiniz.

Lütfen ziyaret edin: www.cp.com.

Telif Hakkı

© Telif hakkı 2022, CHICAGO PNEUMATIC Tool Co.LLC, 1815 Clubhouse Road, Rock Hill, SC 29730 - USA

Tüm hakları saklıdır. İçeriğin veya bir kısmının her türlü yetkisiz kullanımı veya kopyalaması yasaktır. Bu özellikle ticari markalar, model adları, parça numaraları ve çizimler

için geçerlidir. Sadece yetkili parçaları kullanın. Onaylanmış parçaların kullanımı nedeniyle oluşan zararlar veya arızalar Garanti veya Ürün Sorumluluğu kapsamına girmez.

Технически данни

Данни за инструмента

	Скорост на въртене на празен ход (об./мин)	Тегло (kg)	Тегло (lb) (фут)
CP2810	2400	0.8	1.8
CP2811	750	0.9	2.0
CP2812	950	1.1	2.4
CP2814	1100	0.8	1.8

Таблица 3: Отвертка с пистолетна ръкохватка

- ⓘ Максимално работно налягане при скорост на въртене на празен ход 6,3 бара / 90 psig (паунд на кв. инч, габарит).

	Скорост на въртене на празен ход (об./мин)	Тегло (kg)	Тегло (lb) (фут)
CP2822	1300	0.9	2.0
CP2824	1500	0.9	2.0

Таблица 4: Права отвертка

- ⓘ Максимално работно налягане при скорост на въртене на празен ход 6,3 бара / 90 psig (паунд на кв. инч, габарит).

Допълнителни аксесоари

При долупосочените модели е необходимо да се използва странична дръжка в случай че въртящият момент надвиши **10 Nm** (нютон-метра) за отвертка с пистолетна ръкохватка и **4 Nm** (нютон-метра) за права отвертка.

Модел	Номер на част на страничната дръжка
CP2810	6151820079
CP2811	6151820079

Модел	Номер на част на страничната дръжка
CP2812	6151820078
CP2822	6151820078

Декларации

Декларация за съответствие EC

Ние, CHICAGO PNEUMATIC Tool Co.LLC, 1815 Clubhouse Road, Rock Hill, SC 29730 - USA, декларираме на своя лична отговорност, че този продукт (с наименование, тип и сериен номер, вижте предната страница) е в съответствие със следната(ите) Директива(и):

2006/42/EC

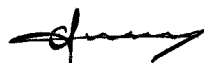
Приложени хармонизирани стандарти:
EN 11148-6:2012

Властите могат да поискат съответната техническа информация от:
Pascal Roussy, R&D Manager, Ets Georges Renault, 38 rue Bobby Sands, BP10273 44818 Saint Herblain, France

Saint-Herblain, 2022/05/25

Pascal ROUSSY

Подпис на издаващото лице



Декларация за шум и вибрации

Звуково ниво - ISO 15744

Модел	LpA dB(A)	LWA dB(A)
CP2810	83	94
CP2811	83	94
CP2812	82	93
CP2814	76	87
CP2822	83	94
CP2824	73	-

LpA dB(A): ниво на звуково налягане

LWA dB(A): ниво на звукова мощност

K / KpA = KWA = 3 dB: несигурност

Ниво на вибрации -ISO 28927-2

	ahd (m/s ²)	K (m/s ²)
Всички модели	<2.5	-

ahd, ah: вибрационни нива

Тези декларираны стойности са получени при изпитвания от лабораторен тип в съответствие с посочените стандарти и са подходящи за сравнение с декларираните стойности на други инструменти, изпитвани в съответствие със същите стандарти. Тези декларираны стойности не са подходящи за използване при оценка на риска, тъй като стойностите, измерени на отделните работни места могат да бъдат по-високи.

Действителните стойности на излагането на въздействие и рискът от увреждания, понасяни от отделния потребител са уникални и зависят от начина на работа на потребителя, вида на работата и конструкцията на работната станция, както и от времето на излагане и физическото състояние на потребителя.

Ние, **CHICAGO PNEUMATIC Tool Co.LLC**, не поемаме отговорност за последствията от използването на декларираните стойности, вместо на стойности, отразяващи действителното излагане на въздействие, при индивидуална оценка на риска в ситуация на реално работно място, над която нямаме контрол.

Този инструмент може да причини синдром на вибрации ръка-рамо, ако употребата му не бъде направлявана адекватно. ЕС упътване за управление на вибрации ръка-рамо можете да намерите, като посетите <http://www.pneurop.eu/index.php> и изберете 'Tools' (Инструменти), а след това - 'Legislation'.

Препоръчваме да бъде проведена програма за здравен надзор, чрез която да се определят ранните симптоми, отнасящи се до излагането на шум и вибрации, така че работните процедури да бъдат модифицирани с цел предотвратяване на бъдещи увреждания.

i Ако това оборудване е предназначено за фиксиращи приложения:

Емисията на шум е посочена като указание за изработващия машината. Данните за емисиите на шум и вибрации за цялата машина трябва да са посочени в ръководството за потребителя на машината.

Информация във връзка с чл. 33 от REACH (Регламент относно регистрацията, оценката, разрешаването и ограничаването на химикали)

Европейски регламент (ЕС) №1907/2006 относно регистрацията, оценката, разрешаването и ограничаването на химикали (REACH) определя, освен други неща, изискванията, свързани с комуникациите във веригата на доставките. Изискването за информация се отнася също и за продукти, съдържащи т. нар. вещества, пораждащи сериозно безпокойство ("списък на кандидати"). На 27 юни 2018 г. металът олово (CAS № 7439-92-1) беше добавен към списъка на кандидатите.

Във връзка с гореспоменатото бихме искали да ви информираме, че определени механични компоненти в продукта може да съдържат метала олово. Това е в съответствие с настоящето законодателство за ограничаване на веществата и въз основа на законовите изключения в Директивата за ограничението за употребата на определени опасни вещества в електрическото и електронното оборудване (RoHS) (2011/65/EU). Металът олово няма да изтече от продукта или да се видоизмени в него по време на нормална употреба, и концентрацията на метала олово в цялостния продукт е значително под приложимата прагова стойност. Моля, съобразете се с местните изисквания за изхвърляне на олово при изтичане на годността на продукта.

Регионални изисквания

⚠ ПРЕДУПРЕЖДЕНИЕ

Този продукт може да ви изложи на контакт с химикали, включително олово, за което в щата Калифорния е известно, че причинява рак и вродени малформации или други вреди по отношение на възпроизводителната способност. За допълнителна информация посетете

<https://www.p65warnings.ca.gov/>

Безопасност

НЕ ИЗХВЪРЛЯЙТЕ – ПРЕДАЙТЕ НА ПОТРЕБИТЕЛЯ

⚠ ПРЕДУПРЕЖДЕНИЕ Прочетете всички предупреждения за безопасност, инструкции, илюстрации и спецификации, предоставени с този продукт.

Неспазването на всички инструкции посочени по-долу, може да доведе до токов удар, пожар, материални щети и/или сериозни наранявания.

Запазете всички предупреждения и инструкции за бъдеща справка.

⚠ ПРЕДУПРЕЖДЕНИЕ Трябва да се спазват всички местни законови разпоредби за безопасност относно инсталация, работа и поддръжка.

Декларация за употреба

- Само за професионална употреба.
- Този продукт и неговите принадлежности не могат да бъдат променяни по какъвто и да е начин.
- Не използвайте този продукт, ако е повреден.
- Ако означенията на данните на продукта или предупрежденията за опасност върху него престанат да бъдат четливи или се откачат, незабавно ги подменете.
- Продуктът трябва да бъде инсталиран, използван и обслужван единствено квалифицирани лица в индустриална среда.

Предназначение

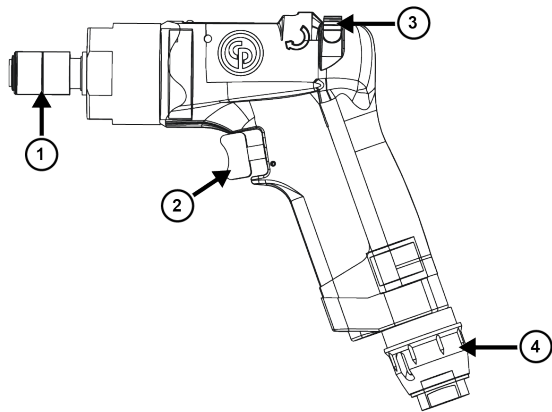
Този продукт е предназначен за монтиране и отстраняване на резбовани винтове в дърво, метал или пластмаса. Употреба само на закрито.

Не се разрешава използването му за други цели.

Използването на резервни части или аксесоари, различни от първоначално доставените от производителя, може да доведе до спад в ефективността и до увеличена поддръжка, ниво на шум или вибрации, и в резултат на това пълно анулиране на отговорността на производителя.

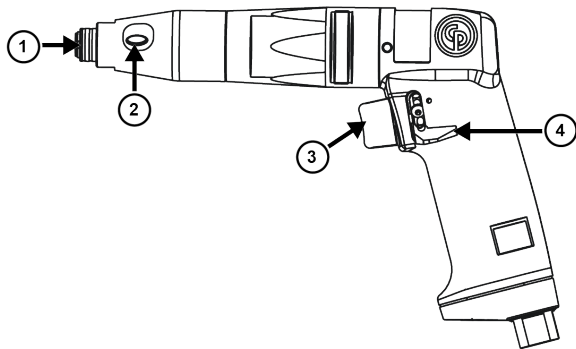
Инструкции за този продукт

Описание на продукта



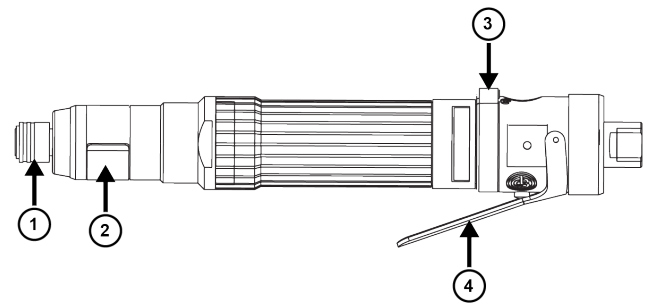
Илюстрация 12: CP2810 / CP2811 / CP2812

Елемент	Описание
1	Патронник за бърза смяна
2	Тригер
3	Бутон за въртене в обратна посока
4	Регулируема изпускателна тръба



Илюстрация 13: CP2814

Елемент	Описание
1	Патронник за бърза смяна
2	Достъп до регулиране на въртящия момент
3	Тригер
4	Бутон за въртене в обратна посока



Илюстрация 14: CP2822 / CP2824

Елемент	Описание
1	Патронник за бърза смяна
2	Достъп до регулиране на въртящия момент
3	Бутон за въртене в обратна посока
4	Тригер

Монтаж на инструмента

1. Прикрепвайте аксесоарите към инструмента правилно.
2. Свържете инструментите, както е показано в раздел Air diagram [страница 4].

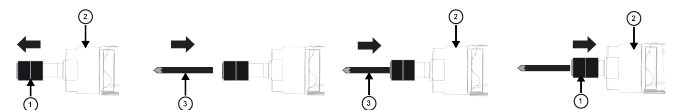
Стартиране на инструмента

⚠ ПРЕДУПРЕЖДЕНИЕ Опасности при работа

Преди да стартирате инструмента се уверете, че той е свързан правилно към пневматичното захранване.

- Проверете пневматичното свързване.
- Направете справка с въздушната диаграма.

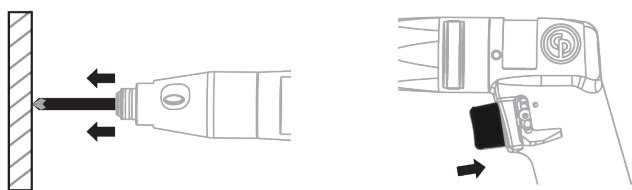
Монтиране на бита



1. Издърпайте патронника за бърза смяна (1) от инструмента (2).
2. Позиционирайте бита (3).
3. Вкарайте бита (3) в инструмента (2).
4. Натиснете патронника за бърза смяна (1) в инструмента (2).
5. Уверете се, че патронникът за бърза смяна (1) е монтиран правилно.

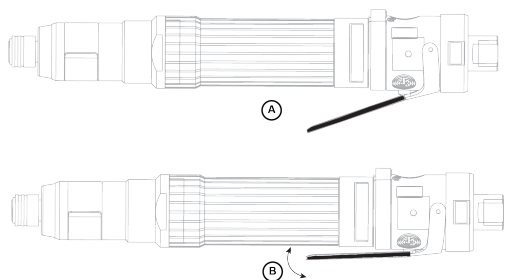
Натискане на тригера

За CP2810 / CP2811 / CP2812 / CP2814



За инструменти, при които натискането на тригера стартира работата:

1. Упражнете натиск върху бита, докато инструментът работи, спрямо обекта.
2. Натиснете тригера на инструмента.

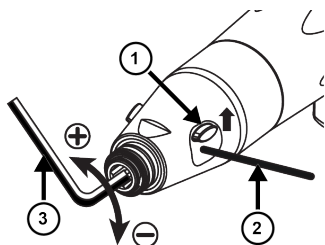


Илюстрация 15: CP2822 / CP2824

A	Спусък ИЗКЛ.
B	Спусък ВКЛ.

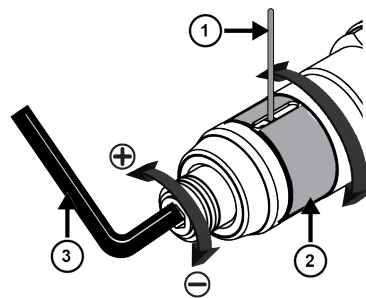
Регулиране на въртящия момент

За CP2812 / CP2814



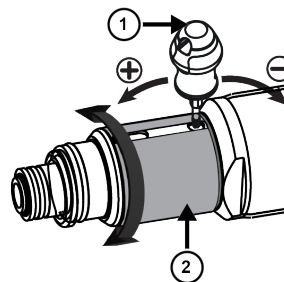
1. Плъзнете нагоре капака за достъп до регулирането на въртящия момент (1).
2. Вкарайте лоста (2).
3. Вкарайте шестограмния ключ (3) с размер 6,35 mm, за да регулирате въртящия момент.
4. Плъзнете надолу капака за достъп до регулирането на въртящия момент (1).

За CP2822



1. Завъртете капака за достъп до регулирането на въртящия момент (2), за да получите достъп до отвора.
2. Вкарайте лоста (1).
3. Вкарайте шестограмния ключ (3) с размер 6,35 mm, за да регулирате въртящия момент.
4. Завъртете капака за достъп до регулирането на въртящия момент (2) до първоначалната му позиция.

За CP2824



1. Завъртете капака за достъп до регулирането на въртящия момент (2), за да получите достъп до отвора.
2. Вкарайте отвертката за настройка на съединителя (1), за да регулирате въртящия момент.
3. Завъртете капака за достъп до регулирането на въртящия момент (2) до първоначалната му позиция.

Общи инструкции за безопасност

Рискове при снабдяване с въздух и свързване

- Не насочвайте въздуха към себе си или към друг човек.
- Винаги изключвайте въздухоподаването, освобождавайте маркуча от въздушното налягане и прекъсвайте снабдяването с въздух на инструмента, когато не се използва, преди подмяна на принадлежности или когато се поправя.
- Никога не насочвайте въздушната струя към Вас или към някой друг.
- Ударът от свободен маркуч може да причини тежки наранявания. Винаги проверявайте маркучите и свързващите елементи за повреда или разхлабване.

- Не използвайте муфи за бързо изключване на инструмента. Прочетете указанията за правилно свързване.
- При използване на универсален винтов съединител е задължително монтирането на фиксиращи щифтове.
- Не превишавайте въздушното налягане от 6,3 бара/90 psig или стойността, която е посочена на фирмената табелка на инструмента.

Опасности от заплитане

- Стойте далеч от въртящия се механизъм. Ако не държите свободното облекло, ръкавиците, бижутата и косата далеч от инструмента и аксесоарите, това може да доведе до удушаване, скалпиране и/или разкъсвания.
- Ръкавиците може да се заплетат във въртящия се механизъм, причинявайки нараняване или счупване на пръстите.
- Въртящият се механизъм и удължителите му могат лесно да захванат гумираните ръкавици или такива, подсилени с метал.
- Не носете свободни ръкавици или ръкавици с изрязани пръсти.
- Никога не дръжте драйва, гнездото или удължителя на драйва.

Опасности от хвърчащи частици

- Винаги носете устойчиви на удар защитни очила и маска за лице, когато боравите с инструмента или сте в близост до него, при поправка или поддръжка на инструмента или когато сменяте аксесоарите му.
- Уверете се, че околните носят устойчиви на удар защитни очила и маска за лице. Дори малките частици могат да наранят очите и да причинят ослепяване.
- Сериозни наранявания могат да бъдат причинени от пренатягане или недобро затягане на крепежните елементи, които могат да се счупят или да се разхлабят и отделят. Възможно е разхлабените сглобки да се разхвърчат. Сглобките, изискващи определено затягане, трябва да бъдат проверявани с динамометричен ключ.
ЗАБЕЛЕЖКА Така наречените „шракащи“ динамометрични ключове не проверяват за потенциално опасни условия на презатягане.
- Не използвайте ръчни накрайници за затягане. Използвайте единствено вложки за електрически или ударни гайковерти в добро състояние.
- Уверете се, че обработваният детайл е здраво захванат.

Опасности при работа

- Разкачете въздушното захранване преди да започнете работа с острието или вложката на отвертката, преди настройване на съединителя или демонтиране на инструмента.
- Персоналът, работещ с инструмента и извършващ неговата поддръжка, трябва да бъде физически годен за работа с размерите, теглото и мощността на инструмента.

- Дръжте инструмента правилно: бъдете готови да реагирате на нормални или внезапни движения – и двете ви ръце трябва да са свободни.
- Незабавно след регулирането на съединителя проверете за правилна работа.
- Не използвайте инструмента при понижено въздушно налягане или в износено състояние: съединителят може да не функционира и да причини внезапно завъртане на ръкохватката на инструмента.
- Винаги придържайте ръкохватката на инструмента сигурно в посока, противоположна на въртенето на шпиндела, за да намалите внезапната реакция на момента на затягане при окончателно затягане и първоначално разхлабване.
- Ако е възможно, използвайте рамото за окачване за абсорбиране на реактивния въртящ момент. Ако това не е възможно, страничните ръкохватки се използват при инструменти с прав корпус или винтоверти; реакционните лостове се използват за ъглови гайковерти. При всички случаи се препоръчва да се използва метод за абсорбиране на реактивния въртящ момент над 4 Nm (3 lbf.ft) при инструменти с прав корпус, над 10 Nm (7,5 lbf.ft) при винтоверти и над 60 Nm (44 lbf.ft) за ъглови гайковерти.
- Пръстите ви могат да бъдат смачкани в гайковерти с отворен край с лъчеобразно затваряне.
- Не използвайте в тясно пространство: внимавайте да не смачкате ръката си между инструмента и детайла, особено при отвинтване.

Опасности от повтарящи се движения

- Когато използва електроинструмент, за да извършва трудова дейност, операторът може да изпита дискомфорт в дланите, ръцете, раменете, врата и други части на тялото.
- Заемете удобна позиция, стъпили стабилно и избягвайки неудобен или небалансиран стоеж. Промяната на стоежа по време на продължителни задачи може да помогне за избягване на дискомфорта и умората.
- Не игнорирайте симптоми като постоянен или повтарящ се дискомфорт, болка, туптене, изтръпване, вкочаняване, изгарящо усещане или схващане. Прекратете работата с инструмента, уведомете работодателя си и се консултирайте с лекар.

Рискове от шум и вибрации

- Високите нива на шум може да доведат до трайна загуба на слух и други проблеми като шум в ушите. Използвайте защитни средства за слуха съгласно препоръките на Вашия работодател или разпоредбите, свързани със здравето и безопасността на работното място.
- Излагането на вибрация може да доведе до инвалидизиращо увреждане на нервите и кръвоснабдяването към дланите и ръцете. Носете топли дрехи и пазете ръцете си топли и сухи. Ако се появи вкочаненост, изтръпване, болка или

побеляване на кожата, спрете употребата на инструмента, уведомете работодателя си и се консултирайте с лекар.

- Дръжте инструмента с лек, но сигурен захват, защото рискът от вибрация обикновено е по-силен, когато силата на захвата е по-голяма. Когато е възможно, използвайте рамо за окачване или поставете странична ръкохватка.
- За да намалите ненужните повишения на нивата на шум и вибрации:
- Експлоатирайте и поддържайте инструмента и избирайте, поддържайте и подменяйте аксесоарите и консумативите съгласно инструкциите за употреба;
- Не използвайте износени или непасващи накрайници на отвертката, гнезда или удължители.

Опасности на работното място

- Подхлъзване/препъване/падане са основните причини за сериозни наранявания или смърт. Внимавайте за дълъг маркуч, оставен на пешеходната зона или в работната зона.
- Избягвайте вдишването на прах или изпарения или боравенето с отломки от работния процес, които може да доведат до увреждане на здравето (напр. рак, родилни дефекти, астма и/или дерматит). Избягвайте вдишването на прах и използвайте маска, предпазваща дишането, когато работите с материали, които отделят частици, които се носят по въздуха.
- Някои прахове създадени в резултат на полиране, рязане, точене, пробиване с машина и други строителни дейности съдържат химикали, които са познати в щата Калифорния като причинители на рак и дефекти по рождение и могат да нанесат и други репродуктивни вреди. Някои примери за такива химикали са:
 - Олово и бои на оловна основа
 - Тухли и цимент от кристален силициев диоксид и други зидарски продукти
 - Арсен и хром от химически обработена гума

Рисковете за Вас от излагането на подобни въздействия зависят от това, колко често извършвате работа от този вид. За да намалите излагането на тези химикали: работете в добре проветрявано помещение и с одобрена защитна екипировка като защитни маски против прах, които са специално изработени да филтрират микроскопични частици.

- При работа в непозната обстановка подхождайте с внимание. Осъзнавайте евентуалните опасности, създадени от трудовата Ви дейност. Този инструмент не е изолиран срещу контакт с източници на електрозахранване.
- Инструментът не се препоръчва за употреба в потенциално взривоопасна околна среда.

Допълнителна информация за безопасност за портативни пневматични инструменти:

- SAGI 2528 - B186.1, КОДЕКС ЗА БЕЗОПАСНОСТ ЗА ПОРТАТИВНИ ПНЕВМАТИЧНИ ИНСТРУМЕНТИ, наличен на уебсайта на Global Engineering Documents на <https://global.ihs.com/> or call +1 800 447-2273. Ако срещнете трудности при получаването на стандартите ANSI, моля влезте във връзка с ANSI на следния Интернет адрес: <https://www.ansi.org/>

Полезна информация

Страница с информация, свързана с безопасността

Страниците с данните, свързани с безопасността, описват химическите продукти, продавани от Chicago Pneumatic.

Моля, консултирайте се с уебстраницата на Chicago Pneumatic за допълнителна информация qr.cp.com/sds.

Произход на продукта

Hungary

Уебсайт

Информация относно нашите продукти, аксесоари, резервни части и публикации можете да намерите на уебстраницата на Chicago Pneumatic.

Моля, посетете: www.cp.com.

Авторско право

© Copyright 2022, CHICAGO PNEUMATIC Tool Co.LLC, 1815 Clubhouse Road, Rock Hill, SC 29730 - USA

Всички права запазени. Забранява се всяко неразрешено използване или копиране на съдържанието или част от него. Това се отнася в частност за търговски марки, названия на модела, номера на части и чертежи. Използвайте само оригинални резервни части. Повреди или неизправности вследствие на употреба на неоригинални части не се покриват от гаранцията или отговорността за вреди, причинени от продукта.

Tehnički podaci

Podaci o alatu

	Slobodna brz- ina (okr/min)	Težina (kg)	Težina (lb)
CP2810	2400	0.8	1.8
CP2811	750	0.9	2.0
CP2812	950	1.1	2.4

CP2814	1100	0.8	1.8
--------	------	-----	-----

Tablica 3: Odvijač u obliku pištolja

i Maksimalni radni tlak pri slobodnoj brzini je 6,3 bar / 90 psig.

	Slobodna brzina (okr/min)	Težina (kg)	Težina (lb)
CP2822	1300	0.9	2.0
CP2824	1500	0.9	2.0

Tablica 4: Ravni odvijač

i Maksimalni radni tlak pri slobodnoj brzini je 6,3 bar / 90 psig.

Dodatni pribor

Za donje modele, mora se koristiti bočna ručka ako zakretni moment prekoračuje **10 Nm** za odvijač u obliku pištolja i **4 Nm** za ravni odvijač.

Model	Broj dijela bočne ručke
CP2810	6151820079
CP2811	6151820079

Model	Broj dijela bočne ručke
CP2812	6151820078
CP2822	6151820078

Izjave

EU izjava o sukladnosti

Mi, **CHICAGO PNEUMATIC Tool Co.LLC**, 1815 Clubhouse Road, Rock Hill, SC 29730 - USA, izjavljujemo pod vlastitom odgovornošću da je proizvod (naziv, tip i serijski broj, vidi naslovnu stranu) u skladu sa sljedećom(im) direktivom(ama):

2006/42/EC

Primijenjene usklađene norme:

EN 11148-6:2012

Nadležna tijela mogu zahtijevati relevantne tehničke podatke od:

Pascal Roussy, R&D Manager, Ets Georges Renault, 38 rue Bobby Sands, BP10273 44818 Saint Herblain, France

Saint-Herblain, 2022/05/25

Pascal ROUSSY

Potpis izdavatelja



Izjava o buci i vibracijama

Razina zvuka - ISO 15744

Model	LpA dB(A)	LWA dB(A)
CP2810	83	94
CP2811	83	94
CP2812	82	93
CP2814	76	87
CP2822	83	94
CP2824	73	-

LpA dB(A): razina zvučnog tlaka

LWA dB(A): razina zvučne snage

K / KpA = KWA = 3 dB: odstupanje

Razina vibracija -ISO 28927-2

	ahd (m/s ²)	K (m/s ²)
Svi modeli	<2.5	-

ahd, ah: razine vibracija

Ovdje navedene vrijednosti dobivene su ispitivanjima u laboratoriju u skladu s navedenim normama i prikladne su za usporedbu s navedenim vrijednostima drugih alata ispitanih u skladu s istim normama. Ovdje navedene vrijednosti nisu prikladne za uporabu u analizama rizika, a vrijednosti izmjerene na pojedinačnim radnim mjestima mogu biti veće. Stvarne vrijednosti izlaganja i rizik od štetnosti koja može postojati za pojedinačnog korisnika su jedinstvene i ovise o načinu rada korisnika, radnom komadu i konstrukciji radne stanice te o vremenu izlaganja i fizičkom stanju korisnika.

Mi, **CHICAGO PNEUMATIC Tool Co.LLC**, ne možemo se smatrati odgovornima za posljedice uporabe navedenih vrijednosti umjesto vrijednosti koje odražavaju stvarno izlaganje u pojedinačnoj procjeni rizika na radnom mjestu nad kojim nemamo nadzor.

Ovaj alat može izazvati sindrom vibriranja ruke ako se njime ne rukuje na odgovarajući način. Vodič EU-a o upravljanju vibriranjem ruke možete pronaći tako da pristupite <http://www.pneurop.eu/index.php> i odaberete 'Tools (Alati)', a zatim 'Legislation (Zakonodavstvo)'.

Preporučujemo program nadzora zdravlja da se uoče rani simptomi koji mogu biti povezani s izlaganjem buci ili vibracijama tako da se mogu izmijeniti postupci upravljanja vibracijama kako bi se spriječilo buduće oštećenje zdravlja.

i Ova oprema namijenjena je za postupke pričvršćivanja: Emisije buke navedene su kao vodič projektantima strojeva. Podaci o emisiji buke i vibracija za cijeli stroj trebaju se navesti u uputama za uporabu stroja.

Informacije u vezi sa članom 33 Uredbe REACH

Europska uredba (EU) br. 1907/2006 o Registraciji, evaluaciji, autorizaciji i ograničavanju kemikalija (REACH) između ostalog definira zahtjeve vezane za komunikaciju u lancu opskrbe. Zahtjev za informacijama također se odnosi

na proizvode koji sadrže takozvane tvari koje izazivaju veliku zabrinutost ("Popis kandidata"). 27. lipnja 2018. olovo (CAS br. 7439-92-1) je dodato na Popis kandidata.

U skladu s prethodnom napomenom, obavještavamo vas da određene mehaničke komponente u proizvodu mogu sadržati olovo. Ovo je u skladu s aktualnim propisima o ograničenju tvari i zasniva se na zakonskim izuzećima iz Direktive RoHS (2011/65/EU). Olovo iz proizvoda neće cureti ili mutirati tijekom normalne uporabe a koncentracija olova u gotovom proizvodu je znatno ispod primjenjive granične vrijednosti. Uzmite u obzir lokalne zahtjeve o zbrinjavanju olova na kraju životnog vijeka proizvoda.

Lokalni uvjeti

⚠ POZOR

Ovaj proizvod može vas izložiti kemikalijama, uključujući olovo, a prema državi Kaliforniji, olovo može prouzročiti rak i urođene mane ili druge probleme spolnog sustava. Za više informacija idite na

<https://www.p65warnings.ca.gov/>

Sigurnost

NE BACAJTE – PREDAJTE KORISNIKU

⚠ POZOR Pročitajte sva sigurnosna upozorenja, sve upute, ilustracije i specifikacije isporučene uz ovaj proizvod.

Ako se ne pridržavate svih dolje navedenih uputa, može doći do strujnog udara, požara, imovinske štete i/ili teške ozljede.

Spremite sva upozorenja i sve upute za buduću uporabu.

⚠ POZOR Uvijek se morate pridržavati lokalnih zakonskih sigurnosnih propisa o ugradnji, radu i održavanju.

Izjava o uporabi

- Samo za profesionalnu uporabu.
- Ovaj proizvod i njegov pribor ne smiju se mijenjati ni na koji način.
- Ne upotrebljavajte ovaj proizvod ako je bio oštećen.
- Ako podaci o proizvodu ili znakovi upozorenja o opasnosti na proizvodu više nisu čitljivi ili otpadnu, odmah ih zamijenite.
- Rukovanje proizvodom, te njegovo ugrađivanje i servisiranje je dozvoljeno samo kvalificiranom osoblju u industrijskom okruženju.

Pravilna uporaba

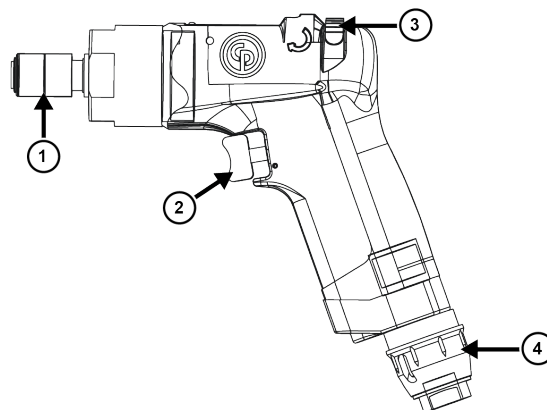
Ovaj je proizvod projektiran za ugradnju i uklanjanje navojnih stezača u drvetu, metalu ili plastici. Uporaba samo u unutarnjem prostoru.

Nije dopuštena druga uporaba.

Uporaba zamjenskih dijelova ili pribora, osim onoga što je izvorno isporučio proizvođač, može uzrokovati pad performansi i povećanje učestalosti održavanja, razine buke ili vibracija, i na kraju može navesti proizvođača da u potpunosti otkáže odgovornost.

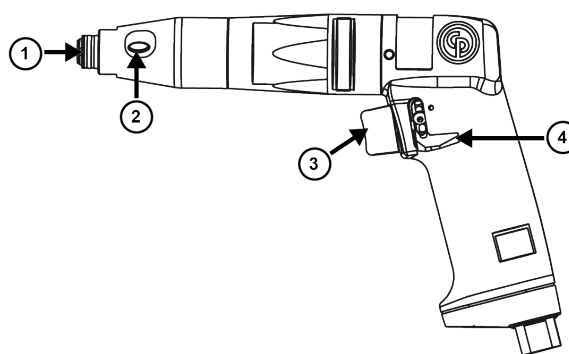
Upute specifične za proizvod

Opis proizvoda



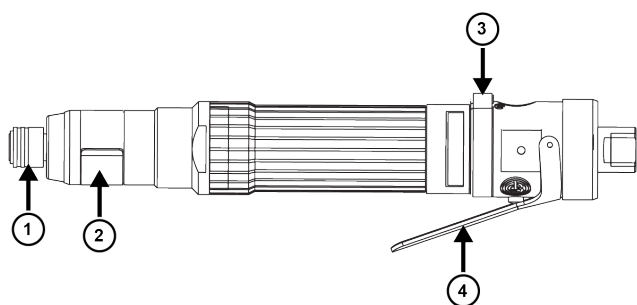
Ilustracija 12: CP2810 / CP2811 / CP2812

Artikl	Opis
1	Stezna glava za brzu promjenu
2	Okidač
3	Gumb za obrnuti smjer okretanja
4	Prilagodljivi ispuh zraka



Ilustracija 13: CP2814

Artikl	Opis
1	Stezna glava za brzu promjenu
2	Pristup podešavanju zakretnog momenta
3	Okidač
4	Gumb za obrnuti smjer okretanja



Ilustracija 14: CP2822 / CP2824

Artikl	Opis
1	Stezna glava za brzu promjenu
2	Pristup podešavanju zakretnog momenta
3	Gumb za obrnuti smjer okretanja
4	Okidač

Ugradnja alata

1. Pravilno postavite dodatke na alat.
2. Spojite alat kao što je prikazano u poglavlju Air diagram [stranica 4].

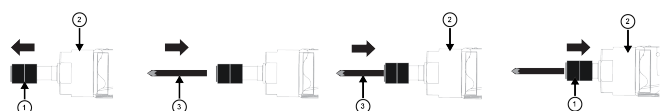
Pokretanje alata

⚠ POZOR Opasnost pri radu

Prije pokretanja alata provjerite je li alat pravilno spojen sa pneumatskim dovodom.

- Provjerite pneumatski priključak.
- Pogledajte dijagram zraka.

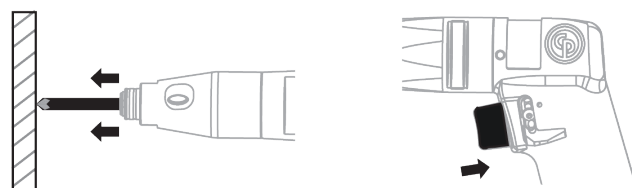
Ugradnja svrdla



1. Izvucite steznu glavu za brzu promjenu (1) iz alata (2).
2. Položaj svrdla (3).
3. Umetnite svrdlo (3) u alat (2).
4. Gurnite steznu glavu za brzu promjenu (1) u alat (2).
5. Provjerite je li stezna glava za brzu promjenu (1) pravilno ugrađena.

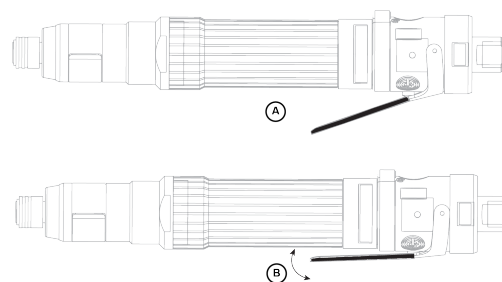
Pritiskanje okidača

Za CP2810 / CP2811 / CP2812 / CP2814



Za rad s alatom pritisni-za-pokretanje:

1. Pritisnite svrdlo dok alat radi na predmetu.
2. Pritisnite okidač alata.

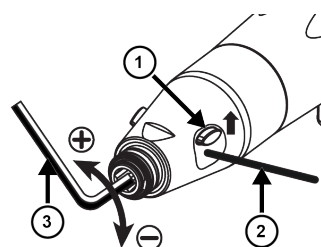


Ilustracija 15: CP2822 / CP2824

A	Okidač je ISKLJUČEN
B	Okidač je UKLJUČEN

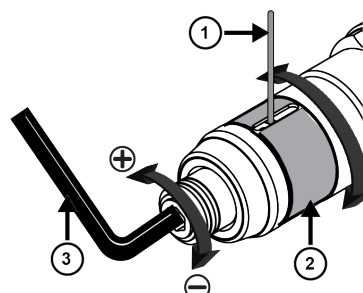
Namještanje zakretnog momenta

Za CP2812 / CP2814



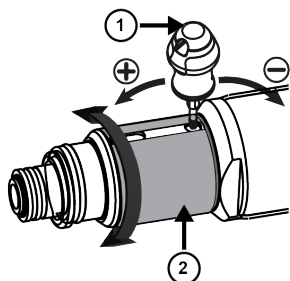
1. Povucite poklopac za pristup namještanju zakretnog momenta (1) nagore.
2. Umetnite osovinu (2).
3. Umetnite imbus ključ (3) veličine 6,35 mm za namještanje zakretnog momenta.
4. Gurnite poklopac za pristup namještanju zakretnog momenta (1) nadolje.

Za CP2822



1. Okrenite poklopac za pristup podešavanju zakretnog momenta (2) za pristup utoru.
2. Umetnite osovinu (1).
3. Umetnite imbus ključ (3) veličine 6,35 mm za namještanje zakretnog momenta.
4. Okrenite poklopac za pristup namještanju zakretnog momenta (2) u prvobitni položaj.

Za CP2824



1. Okrenite poklopac za pristup podešavanju zakretnog momenta (2) za pristup utoru.
2. Umetnite odvijač za postavljanje spojke (1) za namještanje zakretnog momenta.
3. Okrenite poklopac za pristup namještanju zakretnog momenta (2) u prvobitni položaj.

Opće sigurnosne upute

Opskrba zrakom i opasnosti pri spajanju

- Zrak pod tlakom može prouzročiti teške ozljede.
- Uvijek zatvorite dovod zraka, ispuštite tlak iz crijeva i odspojite alat s dovoda zraka kada se on ne upotrebljava, prije zamjene pribora ili pri popravcima.
- Nikada ne usmjeravajte zrak izravno prema sebi ili drugima.
- Nekontrolirano pomicanje crijeva može prouzročiti teške ozljede. Uvijek provjerite jesu li crijeva i priključci oštećeni ili labavi.
- Nemojte upotrebljavati brze spojnice na ovom alatu. Vidi upute za pravilno postavljanje.
- Uvijek kada se upotrebljavaju univerzalne zakretne spojnice, moraju biti instalirani zaporni klinovi.
- Nemojte prekoračivati maksimalni tlak zraka od 6,3 bara/90 psi ili onaj koji je naveden na nazivnoj pločici alata.

Opasnosti od zahvaćanja pokretnim dijelovima

- Držite se daleko od okretnog pogona. Može doći do gušenja, čupanja kose i/ili porezotina ako ne držite labavu odjeću, rukavice, nakit, ogrlice i kosu podalje od alata i njegovih priključaka.
- Rukavice mogu zaglaviti u okretnom pogonu i izazvati oštećenje ili napuknuće prstiju.
- Nastavci okretnog pogona i produžeci pogona mogu lako uhvatiti gumene ili metalom ojačane rukavice.
- Ne nosite labave rukavice ili rukavice sa zarezanim ili istrošenim prstima.

- Nikada ne držite pogon, nastavak ili produžetak pogona.

Opasnosti od projektila

- Uvijek nosite zaštitu za oči i lice otpornu na udarce kada se nalazite u blizini mjesta rada ili radite alatom, pri popravcima i održavanju alata ili kada mijenjate pribor na alatu.
 - Uvjerite se da sve druge osobe u blizini nose štitnike za oči i lice otporne na udarce. Čak i sitni projektili mogu ozlijediti oči i uzrokovati sljepoću.
 - Zbog prejako ili preslabo zategnutih stezača koji mogu puknuti, otpustiti se ili razdvojiti može doći do teške ozljede. Otpušteni sklopovi mogu postati projektili. Sklopovi koji zahtijevaju određeni moment moraju se provjeravati momentnim ključem.
- NAPOMENA Takozvani "klik" momentni ključevi ne provjeravaju potencijalno opasna stanja prevelike zategnutosti.
- Nemojte koristiti ručne nastavke. Koristite samo pneumatske ili udarne ključeve u dobrom stanju.
 - Pazite da radni komad bude dobro pričvršćen.

Opasnosti pri radu

- Odvojite dovod zraka prije rukovanja nastavkom, odvijačem ili nasadnim ključem te prije podešavanja spojke ili rastavljanja alata.
 - Rukovatelji i osoblje za održavanje moraju biti u stanju fizički podnijeti veličinu, težinu i snagu ovog alata.
 - Držite ispravno alat: Budite spremni reagirati na normalne ili iznenadne pokrete i držite obje ruke spremnima.
 - Odmah nakon podešavanja spojke provjerite pravilnost rada.
 - Nemojte upotrebljavati sa smanjenim tlakom zraka ili u istrošenom stanju: Spojka se možda neće aktivirati, što izaziva iznenadno okretanje ručke alata.
 - Uvijek čvrsto poduprite ručku alata u smjeru suprotnom od okretanja osovine da biste smanjili učinke iznenadne zakretne reakcije tijekom završnog zatezanja i početnog otpuštanja.
 - Po mogućnosti upotrijebite ovjesnu ruku da apsorbira zakretnu reakciju. Ako to nije moguće, preporučujemo bočne ručke za alate s ravnim kućištem i pištoljastom drškom; preporučujemo reakcijske držače za kutne zatezače matica. U svakom slučaju preporučujemo da za reakcijski moment veći od 4 Nm (3 lbf.ft) u slučaju alata s ravnim kućištem, veći od 10 Nm (7,5 lbf.ft) u slučaju alata s pištoljastom drškom, odnosno veći od 60 Nm (44 lbf.ft) u slučaju kutnih zatezača matica upotrijebite neku metodu apsorpcije.
 - Prsti se mogu prignječiti u otvorenim viličastim ključevima za matice.
 - Ne upotrebljavajte u tijesnim prostorima: Pazite da ne prignječite ruke između alata i radnog komada, a posebno pri odvijanju.
- #### Opasnosti od ponavljanih kretnji
- Kada upotrebljava pneumatski alat da obavlja aktivnosti u okviru posla, rukovatelj može osjetiti neugodu u rukama, ramenima, vratu ili drugim dijelovima tijela.

- Zauzmite udoban položaj, zadržavajući siguran stav i izbjegavajući neprikladne položaje ili položaje koji su van ravnoteže. Promjena položaja tijekom izvođenja dugotrajnih zadataka može pomoći izbjegavanju osjećaja neugode i umora.
- Nemojte zanemarivati simptome poput stalne ili ponavljajuće neugode, boli, pulsiranja, bolnosti, trnjenja, neosjetljivosti, osjećaja pečenja ili krutosti. U tom slučaju prestanite koristiti alat, obavijestite svojeg poslodavca i potražite savjet liječnika.

Opasnosti od buke i vibracija

- Visoka razina buke može izazvati trajno oštećenje sluha i druge probleme kao npr. tinitus. Upotrijebite zaštitu za uši prema preporukama poslodavca ili u skladu s propisima o sigurnosti na radu i zaštiti zdravlja.
- Izlaganje vibracijama može dovesti do oštećivanja živaca i sprječavanja dotoka krvi do šaka i ruka. Nosite toplu odjeću i čuvajte ruke toplima i suhima. Ako se pojavi ukočenost, zujanje u ušima, bol ili bijeljenje kože, prestanite s uporabom alata, obavijestite svojeg poslodavca i potražite savjet liječnika.
- Držite alat laganim, ali čvrstim prihvatom, jer je opasnost od vibracija u pravilu veća ako je sila prihvata veća. Kada je to moguće koristite ovjesnu ruku ili bočnu ručku.
- Da spriječite nepotrebno povećanje razine buke i vibracija:
- Upotrebljavajte i održavajte alat te odaberite, održavajte i mijenjajte pribor i potrošni materijal u skladu s ovim uputama za uporabu.
- Ne upotrebljavajte istrošena ili neodgovarajuće postavljena svrdla odvijača, nastavke ili produžetke.

Opasnosti na radnom mjestu

- Klizanje, spoticanje i pad glavni su uzroci teški ozljeda ili smrti. Pazite na višak crijeva koje je ostavljeno na prolaznoj ili radnoj površini.
- Izbjegavajte udisanje prašine ili dima ili rukovanje ostacima iz radnog procesa koji mogu ugroziti zdravlje (na primjer, uzrokovati rak, urođene mane, astmu i/ili dermatitis). Upotrijebite opremu za uklanjanje prašine i nosite zaštitnu opremu za disanje kada radite s materijalima koji stvaraju čestice u zraku.
- Neke prašine koje nastaju brušenjem brusnim papirom, rezanjem, brušenjem, bušenjem ili drugim proizvodnim aktivnostima sadrže kemikalije koje su u državi Kaliforniji poznate kao izazivači raka i urođenih mana ili štetno djeluju na reproduktivnost. Neki primjeri takvih kemikalija su:
 - Olovo od boja na bazi olova
 - Cigle od silikatnih materijala, cement i drugi zidarski proizvodi
 - Arsen i krom iz kemijski tretirane gume

Vaš rizik od ovih izlaganja mijenja se ovisno o načinu na koji obavljate ovu vrstu posla. Da smanjite svoju izloženost ovim kemikalijama: Radite u dobro provjetranim područjima i radite s odobrenom sigurnosnom opremom kao što su maske za zaštitu od prašine koje su posebno projektirane da filtriraju mikroskopske čestice.

- U nepoznatim sredinama radite pažljivo. Vodite računa o mogućim opasnostima koje možete izazvati svojim radom. Ovaj alat nije izoliran u slučaju kontakta s izvorima električnog napajanja.
- Ne preporučuje se uporaba ovoga alata u potencijalno eksplozivnim atmosferama.

i Dodatne sigurnosne informacije u vezi sa prijenosnim pneumatskim alatima:

- CAGI 2528 - B186.1, SIGURNOSNE SMJERNICE ZA PRIJENOSNE PNEUMATKSE ALATE, dostupne su u Global Engineering Documents na <https://global.ihs.com/> ili nazovite +1 800 447-2273. U slučaju poteškoća s pribavljanjem ANSI standarda, kontaktirajte ANSI na <https://www.ansi.org/>

Korisne informacije

Sigurnosno-tehnički list

Sigurnosno-tehnički list opisuje kemijske proizvode koje prodaje Chicago Pneumatic.

Za više informacija o tvrtki Chicago Pneumatic posjetite web stranicu qr.cp.com/sds.

Zemlja podrijetla

Hungary

Web stranica

Informacije o proizvodima, priboru, zamjenskim dijelovima i izdanjima možete pronaći na našoj internetskoj stranici Chicago Pneumatic.

Posjetite web mjesto: www.cp.com.

Autorsko pravo

© Autorsko pravo 2022, CHICAGO PNEUMATIC Tool Co.LLC, 1815 Clubhouse Road, Rock Hill, SC 29730 - USA

Sva su prava pridržana. Zabranjena je svaka neovlaštena uporaba ili kopiranje sadržaja ili njegovog dijela. To se posebno odnosi na zaštitne znakove, oznake modela, brojeve dijelova i crteže. Upotrebljavajte samo odobrene dijelove. Jamstvo ili odgovornost za proizvod ne obuhvaćaju bilo kakva oštećenja ili kvarove izazvane uporabom neodobrenih dijelova.

Tehnical andmed

Tööriista andmed

	Vabakäiguki- irus (p/min)	Kaal (kg)	Kaal (naela)
CP2810	2400	0.8	1.8
CP2811	750	0.9	2.0
CP2812	950	1.1	2.4

CP2814	1100	0.8	1.8
--------	------	-----	-----

Tabel 3: Püstolkruvikeeraja

ⓘ Max töörohk vabakäigukiirusel on 6,3 bar / 90 psig.

	Vabakäigukiirus (p/min)	Kaal (kg)	Kaal (naela)
CP2822	1300	0.9	2.0
CP2824	1500	0.9	2.0

Tabel 4: Sirge kruvikeeraja

ⓘ Max töörohk vabakäigukiirusel on 6,3 bar / 90 psig.

Lisatarvikud

Alltoodud mudelitel tuleb kasutada külgmist käepidet, kui väändejõud ületab püstolkruvikeeraja puhul **10 Nm** ja sirge kruvikeeraja puhul **4 Nm**.

Mudel	Külgmise käepideme tootekood
CP2810	6151820079
CP2811	6151820079

Mudel	Külgmise käepideme tootekood
CP2812	6151820078
CP2822	6151820078

Deklaratsioon

ELi vastavusdeklaratsioon

Meie, **CHICAGO PNEUMATIC Tool Co.LLC**, 1815 Clubhouse Road, Rock Hill, SC 29730 - USA, deklareerime oma täielikul vastutusel, et toode (mille nime, tüübi ja seerianumbrileate esilehelt) on vastavuses järgmis(t)e direktiivi(de)ga:

2006/42/EC

Kohalduvad ühtlustatud standardid:
EN 11148-6:2012

Ametiasutused võivad nõuda asjakohast tehnilist teavet, mille peab saatma:
Pascal Roussy, R&D Manager, Ets Georges Renault, 38 rue Bobby Sands, BP10273 44818 Saint Herblain, France

Saint-Herblain, 2022/05/25

Pascal ROUSSY



Väljaandja allkiri

Müra- ja vibratsioonialane deklaratsioon

Müratase – ISO 15744

Mudel	LpA dB(A)	LWA dB(A)
CP2810	83	94
CP2811	83	94
CP2812	82	93
CP2814	76	87
CP2822	83	94
CP2824	73	-

LpA dB(A): helirõhu tase

LWA dB(A): helivõimsuse tase

K / KpA = KWA = 3 dB: määramatus

Vibratsioonitase – ISO 28927-2

	ahd (m/s ²)	K (m/s ²)
Kõik mudelid	<2.5	-

ahd, ah: vibratsioonitasemed

Deklareeritud väärtused on saadud kehtivate standardite järgi läbi viidud tüübikatsetuste tulemusena ja on sobivad samade standardite kohaselt katsetatud muude tööriistade deklareeritud väärtustega võrdlemiseks. Käesolevad deklareeritud väärtused pole piisavad kasutamiseks riskihindamisel, samuti võivad konkreetsetel töökojal mõõdetud väärtused osutada suuremaks. Iga konkreetse kasutaja puhul on tegelikud kahjulike mõjurite väärtused ja riskitase erinevad, sõltudes kasutaja töövõtetest, töödeldavast detailist ja töökooha korraldusest, samuti mõjurite toimeaja kestusest ja kasutaja füüsilisest seisundist.

Meie, **CHICAGO PNEUMATIC Tool Co.LLC**, ei vastuta tagajärgede eest, kui kasutatakse deklareeritud väärtusi, mitte tegelikke andmeid, mis vastavad tegelikule kokkupuutele konkreetsetes ohuhinnangus töökoja olukorras, mille üle meil puudub kontroll.

See tööriist võib põhjustada käe ja käsivarre vibratsioonisündroomi, kui selle kasutamist asjakohaselt ei hallata. ELi juhised kätele mõjuva vibratsiooniga toime tulemiseks leiate, kui külastate veebilehte <http://www.pneurop.eu/index.php> ning valite "Tools" ja seejärel "Legislation".

Soovitame regulaarselt tervist kontrollida, et tuvastada vibratsioonist tingitud haiguste varajasi sümptomeid. Selle põhjal tuleb juhtimistoiminguid kohandada nii, et need aitaksid ennetada võimalikke edaspidiseid tervisekahjustusi.

- ⓘ Kui antud seadet kasutatakse kinnitatud rakendustes: Masinatootja poolt antud müraemissioon on indikatiivne. Komplektse masina müra- ja vibratsiooniemissiooni andmed peavad olema välja toodud masina kasutusjuhendis.

Teave seoses REACH-määruse artikliga 33

Euroopa (EÜ) määrus nr 1907/2006, mis käsitleb kemikaalide registreerimist, hindamist, autoriseerimist ja piiramist (REACH), määratleb muuhulgas tarneahela kommunikatsiooniga seotud nõuded. Teabenõue kehtib ka toodetele, mis sisaldavad nn väga ohtlikke aineid („kandidaainete loetelu“). 27. juunil 2018 lisati kandidaainete loetellu plii (CAS nr 7439-92-1).

Ülaltoodust tulenevalt anname teile teda, et toote teatud mehaanilised komponendid võivad sisaldada pliid. See on kooskõlas kehtivate ainete kasutamise piiramise õigusaktidega ja põhineb ohtlike ainete kasutamise piiramise direktiivi (RoHS-määrus, 2011/65/EÜ) õiguslikel eranditel. Plii ei leki ega muteeru tootest tavapärasel kasutamisel ning plii-sisaldus kogu tootes on kohaldatavast piirväärtusest tunduvalt väiksem. Toote kasutusea lõppedes arvestage plii kõrvaldamisel kohalikke eeskirju.

Piirkondlikud nõuded

⚠ HOIATUS

Selle toote kasutamisel võite kokku puutuda kemikaalide, sh pliiiga, mis põhjustab California osariigile teadolevatel andmetel vähki ja sünnidefekte või muud reproduktiivset kahju. Lisateabe saamiseks külastage veebilehte

<https://www.p65warnings.ca.gov/>

Ohutus

ÄRGE VISAKE ÄRA – ANDKE KASUTAJALE

⚠ HOIATUS Lugege läbi kõik tootega kaasas olevad ohutushoiatused, juhised, joonised ja tehnilised andmed.

Järgnevalt loetletud hoiatuste mittejärgimine võib tuua kaasa elektrilöögi, süttimise, varalise kahju ja/või raske vigastuse.

Hoidke kõik hoiatused ja juhised hilisemaks uuesti läbivaatamiseks alles.

⚠ HOIATUS Kõikidest paigaldamist, kasutamist ja hooldamist käsitlevatest kohalikest kehtivatest ohutuseeskirjadest tuleb kogu aeg kinni pidada.

Lubatud kasutamine

- Ainult professionaalseks kasutamiseks.
- Käesolevat toodet ega selle lisaseadmeid ei tohi muuta.
- Ärge kasutage kahjustatud toodet.
- Kui tootel asuvad nimikiiruse või ohuhoiatuse märgid muutuvad loetamatuks või tulevad küljest, asendage need kohe uutega.

- Toodet tohib paigaldada, kasutada ja hooldada ainult kvalifitseeritud isik ja ainult tööstuslikus keskkonnas.

Otstarbekohane kasutamine

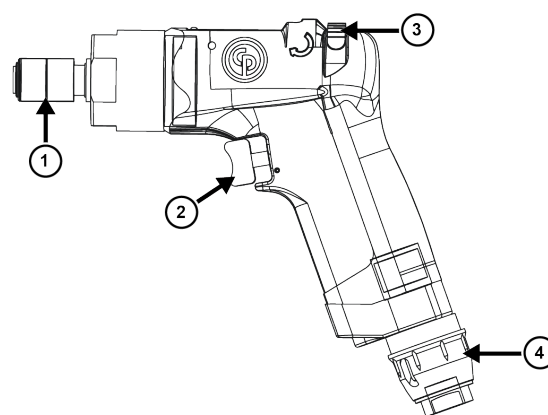
Käesolev toode on mõeldud keermetatud kinnitusvahendite puitu, metalli või plastmaterjali paigaldamiseks ning sealt eemaldamiseks. Kasutamiseks ainult siseruumis.

Muud kasutusviisid on keelatud.

Muude kui tootja pakutavate varuosade või tarvikute kasutamine võib põhjustada jõudluse langust ja hooldusvajaduse, mürataseme või vibratsiooni suurenemist ning selle tulemusena tootja vastutuse täielikku tühistamist.

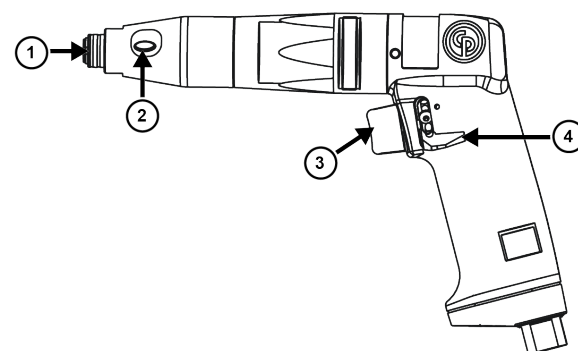
Tootespetsiifilised juhised

Toote kirjeldus



Illustratsioon 12: CP2810 / CP2811 / CP2812

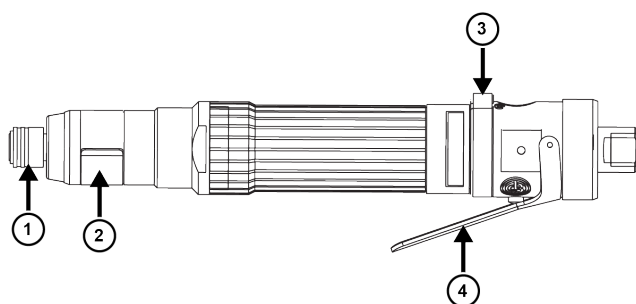
Tähis	Kirjeldus
1	Kiirvahetatav padrun
2	Päästik
3	Vastassuuna nupp
4	Reguleeritav õhu väljalase



Illustratsioon 13: CP2814

Tähis	Kirjeldus
1	Kiirvahetatav padrun
2	Väändejõu reguleerimine
3	Päästik

Tähis	Kirjeldus
4	Vastassuuna nupp



Illustratsioon 14: CP2822 / CP2824

Tähis	Kirjeldus
1	Kiirvahetatav padrun
2	Väändejõu reguleerimine
3	Vastassuuna nupp
4	Päästik

Tööriista paigaldamine

1. Kinnitage tarvikud korralikult tööriista külge.
2. Ühendage tööriistad, nagu on näidatud osas Air diagram [leht 4].

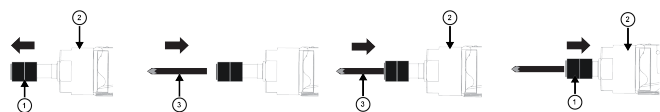
Tööriista käivitamine

⚠ HOIATUS Kasutamisega seotud ohud

Kontrollige enne tööriista käivitamist, kas see on korralikult ühendatud pneumovarustusega.

- Kontrollige pneumoühendust.
- Vaadake õhuvarustuse skeemi.

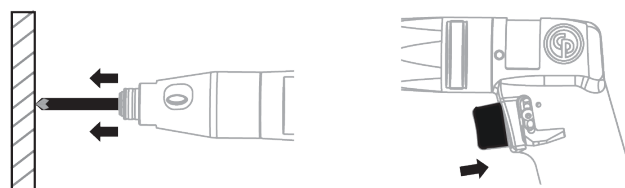
Otsaku paigaldamine



1. Tõmmake kiirvahetatav padrun (1) tööriista (2) küljest ära.
2. Pange otsak (3) paika.
3. Paigaldage otsak (3) tööriistale (2).
4. Lükake kiirvahetatav padrun (1) tööriistale (2).
5. Veenduge, et kiirvahetatav padrun (1) oleks korralikult paigaldatud.

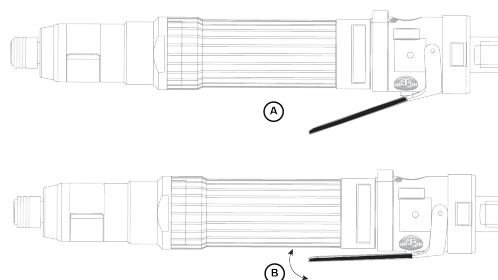
Päästiku vajutamine

CP2810 / CP2811 / CP2812 / CP2814



Survega käivitatava tööriista kasutamine

1. Avaldage otsakule survet, kui tööriist töötab tooriku vastas.
2. Vajutage tööriista päästikut.

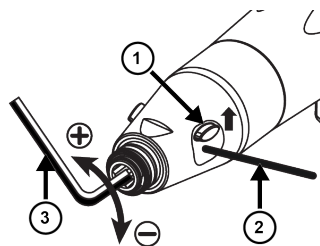


Illustratsioon 15: CP2822 / CP2824

- | | |
|---|----------------|
| A | Päästik väljas |
| B | Päästik sees |

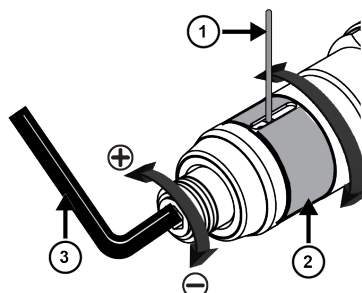
Väändejõu reguleerimine

CP2812 / CP2814



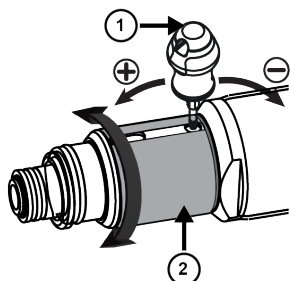
1. Nihutage väändejõu reguleerimise kate (1) üles.
2. Sisestage vars (2).
3. Sisestage väändejõu reguleerimiseks 6,35 mm kuuskantvõti (3).
4. Nihutage väändejõu reguleerimise kate (1) alla.

CP2822



1. Keerake väändejõu reguleerimise katet (2) pesale juurdepääsuks.
2. Sisestage vars (1).
3. Sisestage väändejõu reguleerimiseks 6,35 mm kuuskantvõti (3).
4. Keerake väändejõu reguleerimise kate (2) algasendisse.

CP2824



1. Keerake väändejõu reguleerimise katet (2) pesale juurdepääsuks.
2. Sisestage väändejõu reguleerimiseks siduri reguleerimise kruvikeeraja (1).
3. Keerake väändejõu reguleerimise kate (2) algasendisse.

Üldised ohutusjuhised

Õhuvarustuse ning ühendusega seotud ohud

- Survestatud õhk võib põhjustada tõsiseid vigastusi.
- Kui seadet ei kasutata, enne lisatarvikute vahetamist või seadme parandamist tuleb alati õhuvarustus kinni keerata, vabastada voolik rõhu alt ning ühendada tööriist õhuvarustusest lahti.
- Ärge suunake õhku enda või ükskõik kelle teise suunas.
- Pekslevad voolikud võivad põhjustada tõsiseid vigastusi. Kontrollige alati, et voolikud ja liitmikud ei oleks vigastatud.
- Ärge kasutage tööriista juures kiirühendusega ühendusdetalle. Vt juhiseid õige seadistamise kohta lisateabe saamiseks.
- Kui kasutatakse universaalseid keeratavaid ühendusdetalle, tuleb paigaldada fiksaatorid.
- Ärge ületage maksimaalset 6,3 bar / 90 psig või tööriista nimiplaadil toodud õhu survet.

Takerdumisoht

- Hoidke eemale pöörlevast ajamist. Kui tööriistast ja tarvikutest ei hoita eemale lahtisi riideid, kindaid, ehteid, kaelas kantavaid esemeid või juukseid, võib tulemuseks olla lämbumine, skalpeerimine ja/või rebenemine.
- Kindad võivad pöörleva aja külge kinni jääda ning tuua kaasa sõrmede vigastumise või murdumise.
- Pöörleva ajami pesad ja ajami pikendused võivad kummeeritud või metalliga tugevdatud kinnastele kergelt kinni jääda.
- Ärge kandke lõdvalt käes istuvaid kindaid või kulunud või katikuste sõrmedega kindaid.
- Ärge hoidke kinni ajamist, pesast või ajami pikendusest.

Lendavatest osakestest tulenevad ohud

- Tööriistaga töötamise, parandamise ja hooldamise või tarvikute vahetamise ajal või läheduses olles kandke alati löögikindlat silma- ja näokaitset.
 - Veenduge, et teised läheduses viibivad isikud kannaksid löögikindlat silma- ja näokaitset Silmavigastust ja pimedaksjäämist võivad põhjustada isegi väikesed lendavad osakesed.
 - Liiga väikese või liiga suure pingutusjõuga kinnitatud kinnitused võivad puruneda, tulla lahti ja eralduda ning põhjustada sellega raskeid kehavigastusi. Lahti tulnud koostud võivad eemale paiskuda. Konkreetse ettenähtud pingutusjõuga koostude puhul tuleb kontrollimiseks kasutada dünamomeetrit.
- MÄRKUS: nõndanimetatud "klõpsuga" dünamomeetritelised mutrivõtmed ei kontrolli potentsiaalselt ohtlikku ülepingutatuse seisundeid.
- Ärge kasutage käsipadruneid. Kasutage ainult heas seisukorras olevaid mootor- või löökpadruneid.
 - Veenduge, et töödeldav ese on kindlalt kinnitatud.

Kasutamisega seotud ohud

- Ühendage õhuvarustus lahti enne kruvikeeraja otsa või pesa käsitlemist, muhvi reguleerimist või tööriista lahti monteerimist.
- Operaatorid ning hooldustehnikud peavad olema füüsiliselt võimelised käsitsema tööriista suurust, kaalu ja võimsust.
- Hoidke tööriista õigesti: olge valmis normaalsetele või ootamatutele liikumistele vastu tegutsema - olge valmis kasutama mõlemat kätt.
- Kontrollige õiget töötamist kohe pärast muhvi reguleerimist.
- Ärge kasutage väiksema õhusurvega või kulunud olekus: muhv ei pruugi töötada, mille tulemuseks võib olla tööriista käepideme ootamatu liikumine.
- Toetage alati kindlalt tööriista käepidet spindli pöörlemisele vastassuunas, et vähendada ootamatut väändemomendi reaktsiooni viimase pingutamise ja algse lõdvendamise ajal.
- Võimaluse korral kasutage reaktsioonijõu neelamiseks riputushooba. Kui see ei ole võimalik, on sirgete ja püstitõlkäepidemega tööriistade puhul soovitatav kasutada külgakäepidemeid; nurga all mutrikeerikute puhul aga reaktsioonivardaid. Igal juhul on soovitatav kasutada sirgete tööriistade puhul üle 4 Nm (3 naeljalga), püstitõlkäepidemega tööriistade puhul üle 10 Nm (7,5 naeljalga) ja nurkmutrikeerikute puhul üle 60 Nm (44 naeljalga) suuruse reaktsioonijõu absorbeerimiseks abivahendeid.
- Avatud otsaga mutrikeerikutes võivad sõrmed muljutud saada.
- Ärge kasutage kitsastes ruumides. Olge ettevaatlikud, et te ei suruks käsi tööriista ja töödeldava eseme vahele, seda eriti lahtikruvimise ajal.

Korduva liigutusega seotud ohud

- Mootortööriistaga tööga seotud tegevuste teostamisel võib operaator kogeda kätes, käsivartes, õlgades, kaelas ning teistes kehaosades ebamugavustunnet.
- Võtke võimalikult mugav ja samas kindel asend ning hoiduge ebaloomulikest või tasakaalust väljas olevatest asenditest. Pikemate toimingute ajal võib asendi muutmine aidata vältida ebamugavustunnet ja väsimust.
- Ärge ignoreerige selliseid sümptomeid nagu püsiv või korduv ebamugavustunne, valu, tuikamine, surin, tuimus, põletustunne või kangus. Lõpetage tööriista kasutamine, rääkige oma tööandjaga ja pidage nõu arstiga.

Müra ja vibratsiooniga seotud ohud.

- Vali heli võib põhjustada püsivat kuulmiskaotust või teisi probleeme, näiteks kõrvade kumismist. Kasutage oma tööandja või töötervishoiu ja -ohutuse eeskirjadega ettenähtud kuulmiskaitsevahendeid.
- Kokkupuude vibratsiooniga või põhjustada käte ja käsivarte närvidele ja verevarustusele vigastavaid kahjustusi. Kandke soojasid riideid ning hoidke oma käed soojade ja kuivadena. Kui täheldate tuimust, surinat, valu või naha kahvatuks muutumist, lõpetage tööriista kasutamine, rääkige oma tööandjaga ja võtke ühendust arstiga.
- Hoidke tööriista kerges, kuid kindlas haardes, kuna tugevalt haaramise korral on vibratsioonioht tavaliselt suurem. Võimaluse korral kasutage riputushooba või paigaldage külgkäepide.
- Müra- ja vibratsioonitasemete mittevajalike tõusude vähendamine.
- Kasutage ja hooldage tööriista ning valige, hooldage ja vahetage tarvikuid ja kulumaterjale kooskõlas käesoleva kasutusjuhendiga.
- Ärge kasutage kulunud või halvasti kinnituvaid kruvi-keerajaotsi, pesasid või pikendusi.

Töökohaga seotud ohud

- Libisemine, komistamine või kukkumine on peamised kehavigastuste või surma põhjused. Pange tähele kõndimisalale või tööpinnale vedelema jäänud voolikut.
- Vältige tööprotsessi käigus tekkiva tolmu või suitsu sissehingamist või prahi käsitsemist, kuna see võib olla teravist kahjustav (põhjjustades nt vähki, sünnidefekte, astmat ja/või dermatiiti). Kasutage lendavaid osakesi tekitavate materjalidega töötamisel tolmuärastust ja kandke hingamisteid kaitsvat varustust.
- Osa mootorseadmega lihvimisel, saagimisel, puurimisel ja teiste ehitustööde käigus tekkivat tolmu sisaldab kemikaale, mis California osariigile teada olevatel andmetel põhjustab vähki ja sünnidefekte või muud reproduktiivset kahju. Mõned selliste kemikaalide näited on:
 - Pliipõhistes värvides sisalduv plii.
 - Kristalse räni tellised ja tsement ning teised müüritistooted.
 - Keemiliselt töödeldud kummis sisalduv arseen ja kroom.

Teile nende kokkupuudete tulemusel osaks saava ohu suurus sõltub sellest, kui sageli te sellist tüüpi tööd teete. Nende kemikaalidega kokkupuudete vähendamiseks:

töötage hästi tuulutatud piirkonnas ning kandke töötamisel heakskiidetud ohutusvarustust, näiteks tolmu- ja maske, mis on mõeldud spetsiaalselt mikroskoopiliste osakeste välja filtreerimiseks.

- Tegutsege tundmatus ümbruskonnas ettevaatlikult. Tundke oma töötegevusest tingitud potentsiaalseid ohte. Antud tööriist ei ole vooluallikatega kokkupuutumise puhuks isoleeritud.
- Antud tööriista ei soovitata kasutada potentsiaalselt plahvatusohtlikus õhustikus.

ⓘ Kaasaskantavate suruõhutööriistade täiendav ohutusteave:

- CAGI 2528 - B186.1, KAASASKANTAVATE SURUÕHUTÖÖRIISTADE OHUTUSKOODEKS, saadaval jaotises Global Engineering Documents saidil <https://global.ihs.com/> või helistades +1 800 447 2273. Kui teil on ANSI standardite hankimisega raskusi, võtke ANSIGa ühendust aadressil <https://www.ansi.org/>

Kasulik teave**Ohutuskaart**

Ohutuskaardid kirjeldavad kaubamärgi Chicago Pneumatic müüdavaid kemikaale.

Lisateabe saamiseks külastage kaubamärgi Chicago Pneumatic veebisaiti qr.cp.com/sds.

Päritolumaa

Hungary

Veebileht

Teavet meie toodete, tarvikute, varuosade ja avaldatud materjalide kohta leiate kaubamärgi Chicago Pneumatic veebisaidilt.

Tutvuge lähemalt: www.cp.com.

Autoriõigus

© Autoriõigus 2022, CHICAGO PNEUMATIC Tool Co.LLC, 1815 Clubhouse Road, Rock Hill, SC 29730 - USA

Kõik õigused kaitstud. Volitamata kasutamine või sisu või selle osa kopeerimine on keelatud. See puudutab konkreetselt just kaubamärke, mudelite nimetusi, detailide numbreid ja jooniseid. Kasutage ainult heakskiidetud osi. Autoriseerimata osade kasutamisest põhjustatud kahjustused või tõrked pole garantii või toote vastutuse poolt kaetud.

Techniniai duomenys**Įrankio duomenys**

Laisvosios eis greitis (aps./min.)	Svoris (kg)	Svoris (svarais)

CP2810	2400	0.8	1.8
CP2811	750	0.9	2.0
CP2812	950	1.1	2.4
CP2814	1100	0.8	1.8

Lentelė 3: Pistoletų tipo atsuktuvai

- ⓘ Maksimalus darbinis slėgis eksploatuojant laisvą eiga yra 6,3 baro / 90 psig.

	Laisvosios eigos greitis (aps./min.)	Svoris (kg)	Svoris (svarais)
CP2822	1300	0.9	2.0
CP2824	1500	0.9	2.0

Lentelė 4: Tiesūs atsuktuvai

- ⓘ Maksimalus darbinis slėgis eksploatuojant laisvą eiga yra 6,3 baro / 90 psig.

Papildomi priedai

Žemiau pateiktuose modeliuose turi būti naudojama šoninė rankena, jei sukio momentas viršija **10 Nm** naudojant pistoletų tipo atsuktuvą ir **4 Nm** naudojant tiesų atsuktuvą.

Modelis	Šoninės rankenos dalies numeris
CP2810	6151820079
CP2811	6151820079

Modelis	Šoninės rankenos dalies numeris
CP2812	6151820078
CP2822	6151820078

Deklaracijos

ES atitikties deklaracija

Mes, **CHICAGO PNEUMATIC Tool Co.LLC**, 1815 Clubhouse Road, Rock Hill, SC 29730 - USA, vienašališkos atsakomybės pagrindu pareiškiame, kad gaminy (pavadinimą, tipinį ir serijos numerį žr. pirmame puslapyje), atitinka šią (-as) Direktyvą (-as):

2006/42/EC

Taikyti darnieji standartai:
EN 11148-6:2012

Atitinkamos techninės informacijos institucijos gali pareikalauti iš:
Pascal Roussy, R&D Manager, Ets Georges Renault, 38 rue Bobby Sands, BP10273 44818 Saint Herblain, France

Saint-Herblain, 2022/05/25



Pascal ROUSSY

Išdavėjo parašas

Deklaracija dėl triukšmo ir vibracijos

Garso lygis - ISO 15744

Modelis	LpA dB(A)	LWA dB(A)
CP2810	83	94
CP2811	83	94
CP2812	82	93
CP2814	76	87
CP2822	83	94
CP2824	73	-

LpA dB(A): garso slėgio lygis

LpA dB(A): garso galios lygis

K / KpA = KWA = 3 dB: neapibrėžtis

Vibracijos lygis -ISO 28927-2

	ahd (m/s ²)	K (m/s ²)
Visi modeliai	<2.5	-

ahd, ah: vibracijos lygiai

Nurodytos reikšmės buvo gautos bandant laboratorinėmis sąlygomis pagal nurodytus standartus ir yra tinkamos lyginti su nurodytomis kitų pagal tuos pačius standartus bandytų įrankių reikšmėmis. Nurodytos reikšmės nėra pakankamos rizikai vertinti, o atskirose darbo vietose išmatuotos reikšmės gali būti didesnės. Faktinės eksponavimo reikšmės ir žalos rizika atskiriems vartotojams yra specifiniai dalykai, kurie priklauso nuo vartotojo darbo būdo, darbo įrankio ir darbo vietos bei eksponavimo laiko ir fizinės vartotojo būklės.

Mes, **CHICAGO PNEUMATIC Tool Co.LLC**, negalime būti laikomi atsakingi už deklaruotų verčių naudojimo vietoje faktinių verčių pasekmes individualiai įvertinant riziką darbo vietoje, kurios sąlygų negalime kontroliuoti.

Netinkamai valdomas šis įrankis gali sukelti rankos-plaštakos vibracijos sindromą. Plaštakos ir rankos vibracijos valdymo ES vadovas yra svetainėje <http://www.pneurop.eu/index.php>, skyrelyje „Tools“ (įrankiai), poskyryje „Legislation“ (teisės aktai).

Ankstyviems simptomams, kurie gali būti susiję su vibracijos eksponavimu, nustatyti ir valdymo procedūroms keisti taip, kad išvengtumėte pakenkimo ateityje, mes rekomenduojame sveikatos priežiūros programą.

- ⓘ Jei ši įranga yra skirta naudoti sutvirtinus:

Triukšmo spinduliuotė pateikiama kaip orientyras mašinos gamintojui. Visos mašinos triukšmo ir vibracijos spinduliuotės duomenys turi būti pateikiami mašinos instrukcijų vadove.

Informacija apie 33 Straipsnį dėl cheminių medžiagų registracijos, įvertinimo, autorizacijos ir apribojimų (REACH)

Europos Parlamento ir Tarybos reglamento (EB) Nr. 1907/2006 dėl cheminių medžiagų registracijos, įvertinimo, autorizacijos ir apribojimų (REACH) tarp kitų dalykų pateikia reikalavimus dėl bendravimo tiekimo grandinėje. Informacijos pateikimo reikalavimas taip pat yra taikomas ir produktams, kuriuose yra taip vadinamos labai didelį susirūpinimą keliančiomis medžiagomis ("Kandidatų sąrašas") 2018 birželio 27d. švino metalas (CAS nr 7439-92-1) buvo įtrauktas į Kandidatų sąrašą.

Pagal šį punktą, jūs turite būti informuojami apie tai, kad tam tikri produkte esantys mechaniniai komponentai gali turėti švino metalo. Šią informaciją reikia pateikti laikantis šiuo metu galiojančios medžiagų apribojimo teisės akto, pagrįsto teisėtomis išimtimis, nurodytomis dėl tam tikrų pavojingų medžiagų naudojimo elektros ir elektroninėje įrangoje apribojimo (2011/65/EU) direktyvoje. Švino metalas neturi praskverbti arba mutuoti gaminyje, jį naudojant normaliomis aplinkybėmis, o jo koncentracija užbaigtame produkte yra daug žemesnė nei jam taikoma riba. Prašom laikytis vietos reikalavimų atsikratant švinu, esančiu gaminyje, pasibaigus gaminio naudojimo laikui.

Regioniniai reikalavimai

⚠️ ĮSPĖJIMAS

Šis produktas gali sukelti jums pavojų dėl cheminių medžiagų poveikio, įskaitant šviną – Kalifornijos valstija žino, kad tai gali sukelti vėžį, apsigimimų ir kitą žalą reprodukcinei sistemai. Daugiau informacijos rasite

<https://www.p65warnings.ca.gov/>

Sauga

NEIŠMESTI – ATIDUOTI VARTOTOJUI

⚠️ ĮSPĖJIMAS Perskaitykite visus su šiuo gaminiu pateikiamus saugos įspėjimus, instrukcijas, iliustracijas ir specifikacijas.

Jei bus nesilaikoma visų toliau pateiktų instrukcijų, gali kilti elektros smūgio, gaisro, nuosavybės sugadinimo ir (arba) sunkaus sužeidimo pavojus.

Išsaugokite visus įspėjimus ir nurodymus, kad pririnkus vėliau galėtumėte pasiskaityti.

⚠️ ĮSPĖJIMAS Visada būtina laikytis visų galiojančių vietinių sumontavimo, eksploatacijos ir techninės priežiūros saugos taisyklių.

Naudojimo deklaracija

- Skirta tik profesionaliam naudojimui.
- Draudžiama atlikti bet kokius šio gaminio ir jo priedų pakeitimus.
- Nenaudokite šio gaminio, jei jis apgadintas.
- Jei nebeįžiūrėti arba atplyšo lipdukai su gaminio įspėjimais, juos iškart pakeiskite.

- Gaminį gali diegti, naudoti ir techniškai prižiūrėti tik kvalifikuotas personalas pramoninio montažo aplinkoje.

Numatytoji paskirtis

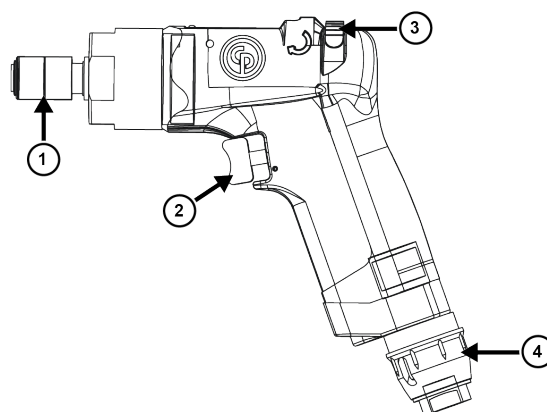
Šis gaminys skirtas įmontuoti sriegines tvirtinimo detales į medį, metalą ar plastiką, bei jas išimti. Naudoti tik patalpoje.

Naudojimas kitai paskirčiai draudžiamas.

Naudojant ne originalias, gamintojo teikiamas atsargines dalis ar priedus, gali sumažėti našumas, padažnėti techninės priežiūros poreikis, padidėti triukšmo lygis ar vibracija, ko pasekoje gali būti visiškai panaikinta gamintojo atsakomybė.

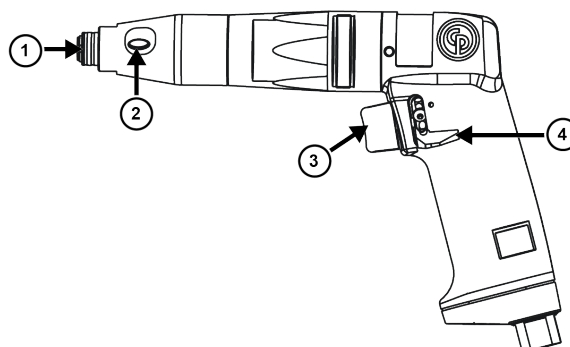
Specialios gaminio instrukcijos

Produkto aprašymas



Iliustracija 12: CP2810 / CP2811 / CP2812

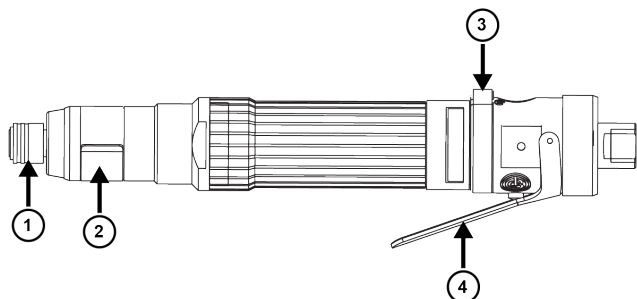
Gaminys	Aprašas
1	Sparčiojo keitimo kumštelinis griebtuvas
2	Paleidiklis
3	Atbulinės eigos mygtukas
4	Reguliuojamas oro išleidimas



Iliustracija 13: CP2814

Gaminys	Aprašas
1	Sparčiojo keitimo kumštelinis griebtuvas

Gaminys	Aprašas
2	Sukimo momento reguliavimo prieiga
3	Paleidiklis
4	Atbulinės eigos mygtukas



Iliustracija 14: CP2822 / CP2824

Gaminys	Aprašas
1	Sparčiojo keitimo kumštelinis griebtuvas
2	Sukimo momento reguliavimo prieiga
3	Atbulinės eigos mygtukas
4	Paleidiklis

Įrankio sumontavimas

1. Prieš paleidimą įrankį pritvirtinkite tvirtai.
2. Prijunkite įrankius kaip parodyta skyriuje Air diagram [p. 4].

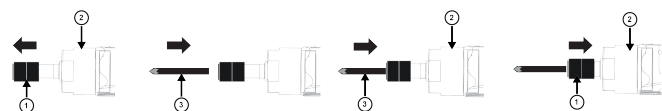
Įrankio paleidimas

⚠️ ĮSPĖJIMAS Eksploatavimo pavojai

Prieš paleisdami įrankį įsitikinkite, kad įrankis tinkamai prijungtas prie pneumatinio maitinimo šaltinio.

- Patikrinkite pneumatinę jungtį.
- Žr. oro diagramą.

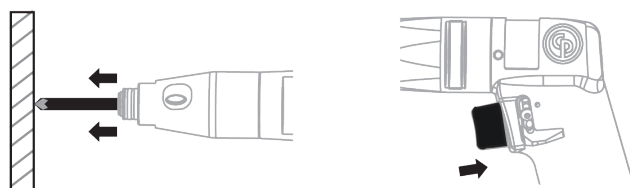
Gražto montavimas



1. Ištraukite sparčiojo keitimo kumštelinį griebtuvą (1) iš įrankio (2).
2. Įstatykite grąžtą (3).
3. Įkiškite grąžtą (3) į įrankį (2).
4. Įkiškite sparčiojo keitimo kumštelinį griebtuvą (1) į įrankį (2).
5. Įsitikinkite, kad sparčiojo keitimo kumštelinis griebtuvas (1) yra tinkamai sumontuotas.

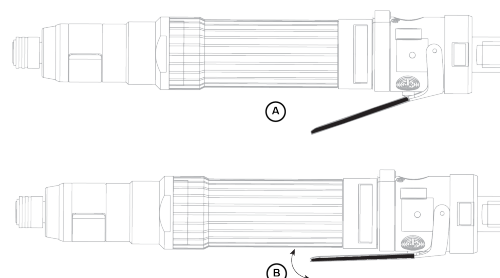
Paleidiklio paspaudimas

Su CP2810 / CP2811 / CP2812 / CP2814



Norėdami paleisti įrankį:

1. Spauskite grąžtą, kol įrankis veikia prieš objektą.
2. Paspauskite įrankio paleidiklį.

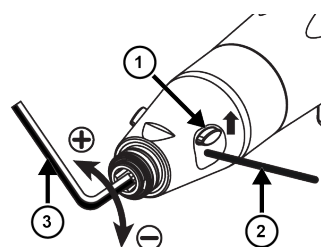


Iliustracija 15: CP2822 / CP2824

A	Paleidiklis išjungtas („OFF“)
B	Paleidiklis išjungtas („ON“)

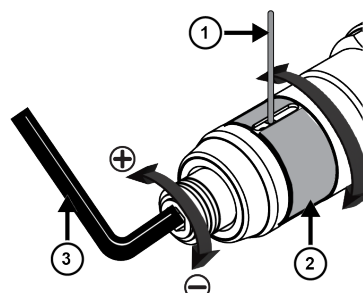
Sūkio momento reguliavimas

Su CP2812 / CP2814



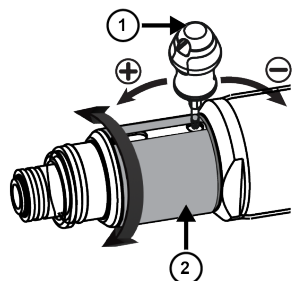
1. Pastumkite sūkio momento reguliavimo prieigos dangtelį (1) aukštyn.
2. Sumontuokite kojelę (2).
3. Norėdami sureguliuoti sūkio momentą, įkiškite 6,35 mm dydžio šešiabriaunį raktą (3).
4. Pastumkite sūkio momento reguliavimo prieigos dangtelį (1) žemyn.

Su CP2822



1. Pasukite sūkio momento reguliavimo prieigos dangtelį (2), kad pasiektumėte angą.
2. Sumontuokite kojelę (1).
3. Norėdami sureguliuoti sūkio momentą, įkiškite 6,35 mm dydžio šešiabriaunį raktą (3).
4. Pasukite sūkio momento reguliavimo prieigos dangtelį (2) į pradinę padėtį.

Su CP2824



1. Pasukite sūkio momento reguliavimo prieigos dangtelį (2), kad pasiektumėte angą.
2. Įkiškite movos nustatymo atsuktuvą (1), kad sureguliuotumėte sūkio momentą.
3. Pasukite sūkio momento reguliavimo prieigos dangtelį (2) į pradinę padėtį.

Bendrosios saugos instrukcijos

Oro tiekimo ir jungčių pavojai

- Suspaustas oras gali sukelti sunkių sužalojimų.
- Prieš keisdami priedus arba atlikdami taisymus, visada išjunkite oro tiekimą, oro slėgio nusausinimo žarną ir atjunkite prietaisą nuo oro tiekimo, kai jo nenaudojate.
- Niekada nenukreipkite oro tiesiogiai į save ar bet kurį kitą asmenį.
- Besiplaikstančios žarnos gali sukelti sunkių sužalojimų. Visada patikrinkite, ar nėra pažeistų arba laisvų žarnų arba pritvirtinimų.
- Nenaudokite su įrankiu greitai atjungiamų movų. Tikamą sąranką žr. instrukcijose.
- Jei naudojamos universalios užsukamos movos, jos turi būti su fiksavimo kaiščiais.
- Neviršykite maksimalaus 6,3 bar / 90 psig oro slėgio arba nurodyto prietaiso pavadinimo lentelėje.

Įsipainiojimo pavojai

- Laikykitės atokiai nuo besisukančios pavaros. Jei nelaikysite laisvų drabužių, pirštinių, papuošalų ir kaklo aksesuarų atokiau nuo prietaiso ir priedų, galite uždusti ir (arba) patirti plėštinių žaizdų.
- Besisukanti pavara gali įtraukti pirštines, todėl galite susižaloti ar susilaužyti pirštus.
- Besisukantys pavaros lizdai ir pailginimo įtaisai gali įtraukti gumuotas ir metalu padengtas pirštines.
- Nemūvėkite laisvų pirštinių, ar pirštinių su nupjautais ar nudilusiais pirštais.
- Niekada nelaikykite pavaros, lizdo ar pailginimo įtaiso.

Rizikos atvejai, susiję su dalelių lakstymu

- Visuomet naudokitės smūgiams atspariomis akių ir veido apsaugos priemonėmis, kai dirbate ar esate šalia dirbančio įrankio, remontuojate ar prižiūrite jį, ar keičiate įrankio detales.
- Visi kiti asmenys, esantys netoliese, turi dėvėti poveikiui atsparią akių ir veido apsaugą. Net smulkios lakstančios dalelės gali sužeisti akis ar apakinti.
- Tvirtinimo detales pernelyg arba nepakankamai prisukus, jos gali lūžti, atsilaisvinti arba atsiskirti ir rimtai sužaloti. Atsilaisvinusios mazgų detalės gali būti išsviedžiamos. Tam tikru sukimo momentu besisukančios dalys turi būti patikrintos sukimo momento matuokliu.
- PASTABA Vadinamųjų „spragtelinčių“ sukimo veržliasukų netikrinkite dėl potencialiai pavojingų pernelyg didelio sukimo momento sąlygų.
- Nenaudokite rankinių veržliarakčių galvučių. Naudokite tik geros būklės elektros įrankiams skirtas galvutes.
- Sekite, kad apdorojamoji detalė būtų tvirtai užfiksuota.

Su darbu susiję pavojai

- Prieš naudodami atsuktuvo antgalį arba lizdą, reguliuodami sankabą arba ardydami įrankį, atjunkite oro tiekimą.
- Su įrankiu dirbantys ir jį prižiūrintys darbuotojai turi fiziškai pajėgti išlaikyti įrankį pagal jo tūrį, svorį bei galingumą.
- Teisingai laikykite įrankį: būkite pasiruošę neutralizuoti įprastinius ar staigius judesius – tai daryti reikia abiem rankom.
- Pareguliuavę veržiamąjį įtaisą, tuoj pat patikrinkite, ar gerai veikia.
- Nenaudokite, kai sumažėjęs oro slėgis arba nusidėvėjusio įtaiso: veržiamasis įtaisas gali neveikti, todėl įrankio rankena gali staiga pasisukti.
- Visada tvirtai laikykite įrankio rankeną, priešinga ašies sukimuisi kryptimi, kad sumažėtų staigios sūkio momento reakcijos poveikis galutinio priveržimo arba pradinio atsukimo metu.
- Jei įmanoma, naudokite pakabos svirtį, kad būtų absorbuojamas atoveiksmio sūkio momentas. Jei tai neįmanoma, įrankiams tiesiu korpusu ir su pistoleto tipo rankenomis naudokite šonines rankenas; kampiniams veržliasukiams rekomenduojama naudoti atoveiksmio strypus. Bet koku atveju rekomenduojama naudoti priemones, kad būtų absorbuojamas atoveiksmio sūkio momentas, didesnis negu 4 Nm (3 svarai į pėdą) įrankiams tiesiu korpusu, didesnis negu 10 Nm (7,5 svarai į pėdą) įrankiams su pistoleto tipo rankena ir didesnis negu 60 Nm (44 svarai į pėdą) kampiniams veržliasukiams.
- Daugiabriaunis veržliasukis su keičiama galvute gali su-traiškinti pirštus.
- Įrankio nenaudokite ankštose erdvėse: saugokitės, kad rankos nebūtų prispaustos tarp įrankio ir apdirbamo gaminio, ypač atsukant.

Pavojai dėl pasikartojančio judesio

- Dirbdamas elektriniu įrankiu operatorius gali patirti nepatogių pojūčių rankose, pečiuose, kakle ar kitose kūno dalyse.
- Pasistenkite stovėti patogiai, kojos turi būti tvirtai atremtos, venkite prarasti pusiausvyrą ir nepatogių padėčių. Nepatogumo ir nuovargio galima išvengti keičiant kūno padėtį.
- Neignoraukite simptomų, pavyzdžiui, nuolatinio ar pasikartojančio nepatogumo, skausmo, smilkčiojimo, spengimo, tirpulio, deginimo jausmo ar sustingimo. Nustokite dirbti įrankiu, informuokite savo darbdavį ir kreipkitės į gydytoją.

Triukšmo ir vibracijos pavojai

- Įrankio keliamas didelis triukšmas gali negrįžtamai paklenkti klausai ir sukelti kitų problemų, pavyzdžiui, spengimą ausyse. Naudokite ausų apsaugas, kurias rekomenduoja jūsų darbdavys ar darbuotojų sveikatos ir saugos teisės aktai.
- Vibracijos poveikis gali pažeisti nervus ir rankų bei kojų kraujotaką. Dėvėkite šiltus drabužius ir pasirūpinkite, kad rankos būtų šiltos ir sausos. Jei pajuntate tirpimą, dilgčiojimą, skausmą arba pabąla oda, nustokite dirbti įrankiu, informuokite savo darbdavį ir kreipkitės į gydytoją.
- Lengvai tačiau tvirtai laikykite įrankį, kadangi vibracijos pavojus yra didesnis, jei įrankis suimamas stipriai. Kai įmanoma, naudokite pakabos svirtį arba pritaisykite šoninę rankeną.
- Kad būtų išvengta nereikalingo triukšmo ir vibracijos lygio lygio padidėjimo:
- Naudokite ir prižiūrėkite įrankį, pasirinkite, prižiūrėkite ir keiskite priedus ir sunaudojamas dalis pagal šias naudojimo instrukcijas;
- Nenaudokite nusidėvėjusių ar prastai priglundančių atsuktuvo antgalių, lizdų ar ilgintuvų.

Pavojai darbo vietoje

- Paslydimas, suklupimas ar griuvimas yra pagrindinės sunkių ar mirtinų sužeidimų priežastys. Saugokitės žarnų paliktų vietoje, kur vaikstoma, arba darbo srityje.
- Stenkitės neįkvėpti dulkių ar garų ir liesti lūženų darbo metu, nes tai gali būti pavojinga sveikatai (pavyzdžiui, sukelti vėžį, apsigimimus, astmą ir (arba) dermatitą). Dirbdami su medžiagomis, kurios skleidžia daleles į orą naudokite dulkių ištraukimo sistemas ir dėvėkite apsaugines kvėpavimo priemones.
- Kai kuriose dulkėse sukeltose šlifavimo, pjovimo, gręžimo ir kitų veiksmų yra chemikalų, kurie, kaip žinoma Kalifornijos valstijoje, gali sukelti vėžį, įgimtas ydas arba kitą reprodukcinę žalą. Kai kurių šių chemikalų pavyzdžiai:
 - Švinas iš dažų, kurių pagrindas yra švinas
 - Kristalinio silicio plytos ir cementas bei kiti mūriniai gaminiai
 - Arsenas ir chromas iš chemiškai apdorotos gumos

Sąveikos su šiais chemikalais poveikis gali skirtis atsižvelgiant į tai kaip dažnai dirbate šį darbą. Norėdami sumažinti sąveiką su šiais chemikalais: dirbkite gerai vėdinamoje patalpoje ir naudokite patvirtintas saugumo priemones, pvz., dulkių kaukes, kurios specialiai sukurtos tam, kad filtruotų mikroskopines daleles.

- Ypač būkite atsargūs nepažįstamoje aplinkoje. Išsiaiškinkite potencialius pavojus, kuriuos sukelia darbas su varikliu. Įrankis nėra izoliuotas nuo elektros šaltinių.
- Šio įrankio nerekomenduojama vartoti potencialiai sprogoje aplinkoje.

ⓘ Papildoma saugos informacija apie nešiojamus orinius įrankius:

- CAGI 2528 - B186.1, SAUGOS KODAS PAGALBINIAMS ORINIAMS ĮRANKIAMS, prieinamas „Pasaulio techniniuose dokumentuose“ adresu <https://global.ihs.com/> arba telefonu +1 800 447-2273. Jei kilo sunkumų, susijusių su ANSI standartų įsigijimu, susisiekite su ANSI adresu <http://www.ansi.org/>

Naudinga informacija**Saugos duomenų lapas**

Saugos duomenų lapuose aprašomi cheminiai produktai, paroduodami Chicago Pneumatic.

Apsilankykite Chicago Pneumatic svetainėje ir sužinokite daugiau qr.cp.com/sds.

Kilmės šalis

Hungary

Tinklavietė

Informaciją apie mūsų Gaminius, Priedus, Atsargines dalis ir Paskelbtus klausimus rasite Chicago Pneumatic puslapyje.

Apsilankykite: www.cp.com.

Autorių teisės

© Copyright 2022, CHICAGO PNEUMATIC Tool Co.LLC, 1815 Clubhouse Road, Rock Hill, SC 29730 - USA

Visos teisės saugomos. Draudžiamas bet koks šio turinio ar jo dalies naudojimas arba kopijavimas neturint tam leidimo. Tai ypač taikoma prekių ženklams, modelių pavadinimams, dalių numeriams ir brėžiniams. Naudokite tik leistinas dalis. Jei gaminys veiks blogai arba suges dėl neleistinų dalių naudojimo, garantija nebus taikoma.

Tehniskie dati**Instrumenta dati**

	Svars (kg)	Svars (lb)
Brūvgaitas ātrums (apgr./ min.)		

CP2810	2400	0.8	1.8
CP2811	750	0.9	2.0
CP2812	950	1.1	2.4
CP2814	1100	0.8	1.8

Tabula 3: Pistoļveida skrūvgriezis

ⓘ Maksimālais darba spiediens brīvgaitā ir 6,3 bar / 90 psig.

	Brīvgaitas ātrums (apgr./min.)	Svars (kg)	Svars (lb)
CP2822	1300	0.9	2.0
CP2824	1500	0.9	2.0

Tabula 4: Taisnais skrūvgriezis

ⓘ Maksimālais darba spiediens brīvgaitā ir 6,3 bar / 90 psig.

Papildu piederumi

Tālāk norādītajiem modeļiem jāizmanto sānu rokturis, ja griezes moments pārsniedz **10 Nm** pistoļveida skrūvgriežim un **4 Nm** taisnam skrūvgriežim.

Modelis	Sānu roktura daļas numurs
CP2810	6151820079
CP2811	6151820079

Modelis	Sānu roktura daļas numurs
CP2812	6151820078
CP2822	6151820078

Deklarācijas

ES atbilstības deklarācija

Mēs, **CHICAGO PNEUMATIC Tool Co.LLC**, 1815 Clubhouse Road, Rock Hill, SC 29730 - USA, vienpersoniski uzņemoties atbildību, paziņojam, ka produkts (ar nosaukumu, tipu un sērijas numuru, kas atrodami sākumlapā) atbilst šai direktīvai(-ām):

2006/42/EC

Piemērotie saskaņotie standarti:

EN 11148-6:2012

Iestādes var pieprasīt nepieciešamo tehnisko informāciju no: Pascal Roussy, R&D Manager, Ets Georges Renault, 38 rue Bobby Sands, BP10273 44818 Saint Herblain, France

Saint-Herblain, 2022/05/25

Pascal ROUSSY



Izsniedzēja paraksts

Pārskats par trokšņa un vibrācijas deklarāciju

Skaņas līmenis – ISO 15744

Modelis	LpA dB(A)	LWA dB(A)
CP2810	83	94
CP2811	83	94
CP2812	82	93
CP2814	76	87
CP2822	83	94
CP2824	73	-

LpA dB(A): skaņas spiediena līmenis

LWA dB(A): skaņas jaudas līmenis

K / KpA = KWA = 3 dB: nenoteiktība

Vibrācijas līmenis – ISO 28927-2

	ahd (m/s ²)	K (m/s ²)
Visi modeļi	<2.5	-

ahd, ah: vibrācijas līmeņi

Šīs deklarētās vērtības tika iegūtas, testējot laboratorijas apstākļos atbilstoši norādītajiem standartiem, un ir piemērotas salīdzināšanai ar citu rīku deklarētajām vērtībām, kas testētas atbilstoši šiem pašiem standartiem. Šīs deklarētās vērtības nav piemērotas izmantošanai riska novērtējumos, un atsevišķās darbavietās veikto mērījumu rezultāti var būt lielāki. Faktiskās iedarbības vērtības un kaitējuma risks atsevišķam lietotājam ir unikāls un atkarīgs no lietotāja darba paņēmieniem, veicamā darba un darbstacijas uzbūves, kā arī no iedarbības laika un lietotāja fiziskā stāvokļa.

Mēs, **CHICAGO PNEUMATIC Tool Co.LLC**, neesam atbildīgi par izmantošanas sekām ar noteiktajām vērtībām, to vērtību vietā, kas parādā patieso atbildes reakciju, individuālo riska izvērtējumu darba vietā, kuru mēs nevaram ietekmēt.

Ja šī instrumenta lietošana netiek atbilstoši pārvaldīta, tas var izraisīt plaukstu/roku vibrāciju sindromu. ES vadlīnijas par plaukstu/roku vibrāciju var atrast ieejot <http://www.pneurop.eu/index.php> un atlasot "Rīki", tad "Likumi".

Iesakām izmantot veselības novērošanas programmu, lai atklātu agrīnus simptomus, kas varētu būt saistīti ar vibrācijas iedarbību, vai varētu mainīt atbilstošo darba organizāciju, nepieļaujot turpmāku stāvokļa pasliktināšanos.

ⓘ Ja šī iekārta ir paredzēta statistiskiem pielietojumiem: Trokšņa emisijas vērtība ir paredzēta mašīnu ražotājiem. Trokšņa un vibrāciju emisijas dati par visu mašīnu jāsniedz mašīnas instrukciju rokasgrāmatā.

Informācija par REACH 33. pantu

Eiropas Regula (ES) Nr. 1907/2006, kas attiecas uz ķīmisko vielu reģistrēšanu, vērtēšanu, licencēšanu un ierobežošanu (REACH) cita starpā nosaka arī prasības, kas saistītas ar komunikāciju piegādes ķēdē. Prasība sniegt informāciju attiecas arī uz produktiem, kas satur tā sauktās īpaši bīstamās vielas („kandidātu saraksts”). 2018. gada 27. jūnijā kandidātu sarakstam tika pievienots svina metāls (CAS Nr. 7439-92-1).

Saskaņā ar iepriekš minēto, ar šo informējam jūs, ka noteiktas mehāniskās produkta sastāvdaļas var saturēt svina metālu. Tas ir saskaņā ar spēkā esošajiem tiesību aktiem par vielu ierobežošanu, un to pamatā ir RoHS direktīvā (2011/65/ES) paredzētie likumīgie atbrīvojumi. Parastā lietošanas laikā no ražojuma neizplūst vai nemutējas svina metāls, un svina metāla koncentrācija visā produktā ir ievērojami zemāka par piemērojamo robežvērtību. Lūdzu, ņemiet vērā vietējās prasības attiecībā uz svina iznīcināšanu produkta kalpošanas laika beigās.

Reģionālās prasības

⚠ BRĪDINĀJUMS

Šis produkts var jūs pakļaut svina apdraudējumam, kurš Kalifornijas štatā ir zināms kā vēža un iedzimtu defektu izraisītājs, kā arī citu reproduktīvo funkciju kaitējumu avots. Lai saņemtu plašāku informāciju, apmeklējiet

<https://www.p65warnings.ca.gov/>

Drošība

NEIZMETIET — NODODIET LIETOTĀJAM

⚠ BRĪDINĀJUMS Izlasiet visus drošības brīdinājumus, norādījumus, ilustrācijas un specifikācijas, kas saņemtas kopā ar šo produktu.

Neievērojot visus tālāk sniegtos norādījumus, varat izraisīt elektrisko triecienu, ugunsgrēku, īpašuma bojājumus un/vai smagas traumas.

Saglabājiet visus brīdinājumus un norādījumus turpmākai uzziņai.

⚠ BRĪDINĀJUMS Pastāvīgi jāievēro visi vietējie drošības noteikumi, kas attiecas uz uzstādīšanu, ekspluatāciju un apkopi.

Produkta pielietojums

- Tikai profesionālai lietošanai.
- Šo produktu un tā palīgaprīkojumu aizliegts jebkāda veidā pārveidot.
- Neizmantojiet šo produktu, ja tas ir bojāts.
- Ja produkta dati vai bīstamības brīdinājuma zīmes uz produkta vairs nav salasāmas vai atlīmējas, nekavējoties nomainiet tās.
- Šo produktu drīkst uzstādīt, lietot un apkalpot tikai kvalificēta persona rūpnieciskā montāžas vidē.

Paredzētais pielietojums

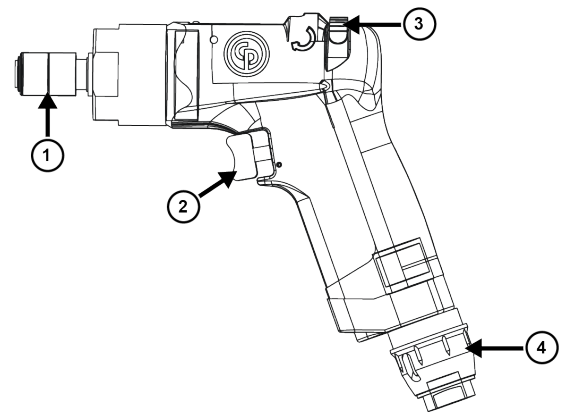
Šis produkts paredzēts vītņotu stiprinājumu ieskrūvēšanai un izskrūvēšanai no koka, metāla vai plastmasas. Tikai lietošanai telpās.

Citi lietošanas veidi nav atļauti.

Izmantojot rezerves daļas vai piederumus, kas nav ražotāja sākotnēji piegādātās rezerves daļas vai piederumi, var pasliktināties to veiktspēja un pieaugt tehniskās apkopes reižu skaits, trokšņa līmenis vai vibrācijas, kā rezultātā var tikt pilnībā atcelta ražotāja atbildība.

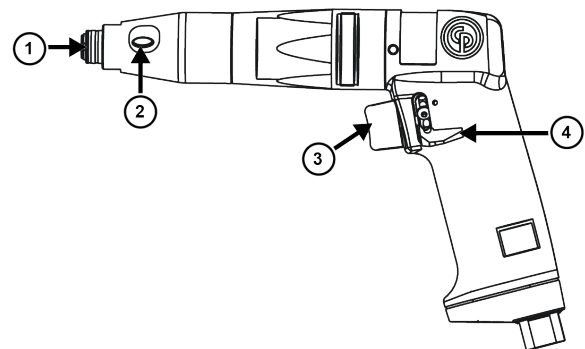
Produktam specifiskas instrukcijas

Produkta apraksts



Ilustrācija 12: CP2810 / CP2811 / CP2812

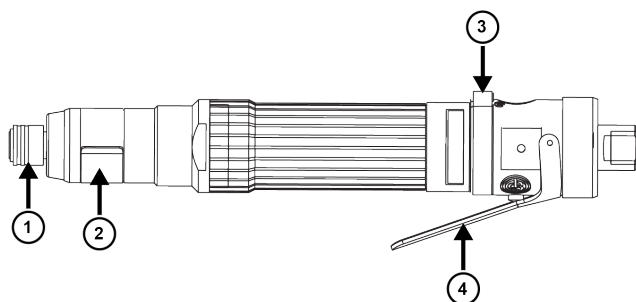
Vienums	Apraksts
1	Ātras nomainīgas patrona
2	Mēlīte
3	Reversās rotācijas poga
4	Regulējama gaisa izplūdes atvere



Ilustrācija 13: CP2814

Vienums	Apraksts
1	Ātras nomainīgas patrona
2	Piekluve griezes momenta regulēšanai
3	Mēlīte

Vienums	Apraksts
4	Reversās rotācijas poga



Ilustrācija 14: CP2822 / CP2824

Vienums	Apraksts
1	Ātrās nomaiņas patrona
2	Piekļuve griezes momenta regulēšanai
3	Reversās rotācijas poga
4	Mēlīte

Instrumenta uzstādīšana

1. Pareizi piestipriniet piederumus pie instrumenta.
2. Savienojiet instrumentus, kā parādīts sadaļā Air diagram [lpp. 4].

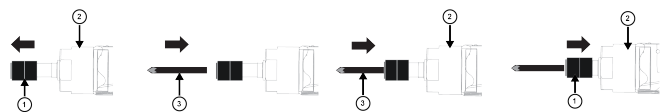
Instrumenta palaišana

⚠ BRĪDINĀJUMS Eksploatācijas riski

Pirms instrumenta palaišanas, pārlicinieties, vai instruments ir pareizi pieslēgts pie pneimatiskās padeves.

- Pārbaudiet pneimatisko savienojumu.
- Skatiet gaisa diagrammu.

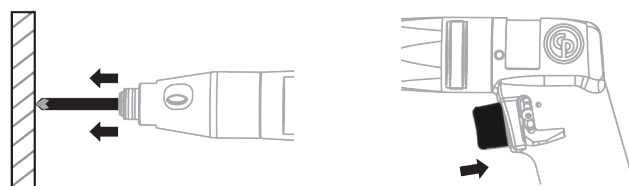
Uzgaļa uzstādīšana



1. Pavelciet ātrās nomaiņas patronu (1) no instrumenta (2).
2. Pozicionējiet uzgali (3).
3. Ievietojiet uzgali (3) instrumentā (2).
4. Uzspiediet ātrās nomaiņas patronu (1) uz instrumenta (2).
5. Pārlicinieties, ka ātrās nomaiņas patrona (1) ir pareizi uzstādīta.

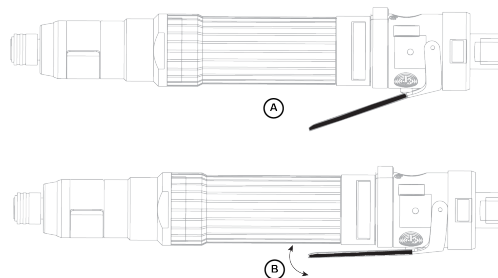
Mēlītes nospiešana

Modeļiem CP2810 / CP2811 / CP2812 / CP2814



Lai darbinātu push-to-start (nospieš, lai palaistu) instrumentu:

1. Piemērojiet spiedienu uz uzgali, kamēr instruments darbojas pret objektu.
2. Nospiediet instrumenta mēlīti.

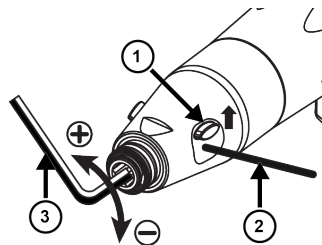


Ilustrācija 15: CP2822 / CP2824

A	Mēlīte IZSLĒGTA
B	Mēlīte IESLĒGTA

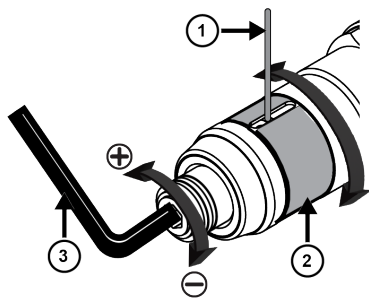
Griezes momenta noregulēšana

Modeļiem CP2812 / CP2814



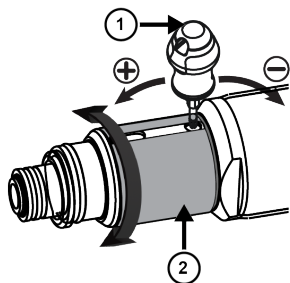
1. Pavelciet griezes momenta regulēšanas piekļuves pārsegu (1) uz augšu.
2. Ievietojiet kātu (2).
3. Lai regulētu griezes momentu, ievietojiet 6,35 mm sešstūra atslēgu (3).
4. Pavelciet griezes momenta regulēšanas piekļuves pārsegu (1) uz leju.

Modelim CP2822



1. Pagrieziet griezes momenta regulēšanas piekļuves pārsegu (2) uz piekļuves slotu.
2. Ievietojiet kātu (1).
3. Lai regulētu griezes momentu, ievietojiet 6,35 mm sešstūra atslēgu (3).
4. Pagrieziet griezes momenta regulēšanas piekļuves pārsegu (2) tā sākotnējā pozīcijā.

Modelim CP2824



1. Pagrieziet griezes momenta regulēšanas piekļuves pārsegu (2) uz piekļuves slotu.
2. Ievietojiet sajūga iestatīšanas skrūvgriezi (1), lai pielāgotu griezes momentu.
3. Pagrieziet griezes momenta regulēšanas piekļuves pārsegu (2) tā sākotnējā pozīcijā.

Vispārīgas drošības instrukcijas

Gaisa pievade un savienojumu riski

- Gaiss spiediena ietekmē var radīt dažādus ievainojumus.
- Kad instruments netiek lietots, pirms maināt piederumus, vai veicot apkopes darbus, vienmēr noslēdziet gaisa padevi, iztukšojiet gaisa spiediena šļūteni un atvienojiet to no gaisa padeves.
- Nekad nevērsiet tiešu gaisa plūsmu savā vai citu virzienā.
- Šļūteņu nekontrolēta kustība var izraisīt smagas traumas. Vienmēr pārbaudiet, vai šļūtenes vai savienojumi nav bojāti vai vaļīgi.
- Pie instrumenta nedrīkst lietot ātri atvienojamas savienotājuzmavas. Skatiet pareizas uzstādīšanas norādījumus.
- Izmantojot universālās savienotājuzmavas ar vītni, jāuzstāda šķelttapas.
- Nepārsniedziet maksimālo atļauto gaisa spiedienu 6,3 bar / 90 psig vai, kā norādīts instrumenta datu plāksnītē.

Sapīšanās riski

- Turiet atstatus no rotējošās piedziņas. Ja vaļīgas drēbes, cimdi, rotaslietas, kaklarotas un mati netiek turēti atstatus no instrumenta un tā piederumiem, var tikt izraisīta žņaugšana, skalpēšana un/vai plēstas brūces.
- Rotējošā vārpsta var aizķert cimdus, izraisot cimdus iespiešanu vai salaušanu.
- Vārpstas uzgaļi un pagarinājumi var viegli aizķert gumijas vai metāla pastiprinātus cimdus.
- Nevalkājiēt vaļīgus cimdus vai cimdus ar iegriezumiem vai nodriskātiem pirkstiem.
- Nekādā gadījumā neturiet vārpstu, mucīņu vai vārpstas pagarinājumu.

Lidojošu objektu bīstamība

- Vienmēr, strādājot ar instrumentu vai esot tuvumā, veicot remontu vai apkopi vai mainot tā piederumus, valkājiēt triecienizturīgus acu un sejas aizsargus.
- Pārliecinieties, vai citas personas darba zonā lieto atbilstošu acu un sejas aizsardzības līdzekļus. Pat niecīgākās atlūzas var radīt acs traumu un izraisīt aklumu.
- Pārāk pievilkti vai vaļīgi stiprinājumi var radīt smagas traumas, tiem lūstot vai atskrūvējoties un atdaloties. Izkritušas detaļas no instrumenta var tikt izsviestas ar spēku. Montāžas mezgli, kuriem nepieciešams konkrēts griezes moments, ir jāpārbauda ar griezes momenta mērītāju.

PIEZĪME. Tā saucamā “klikšķa” dinamometriskā uzgriežņatslēga nenodrošina pilnīgu aizsardzību pret pārāk stipru piegriešanu.

- Neizmantojiēt rokas mucīņas. Izmantojiēt tikai elektroinstrumentiem vai pneimoinstrumentiem paredzētas mucīņas labā stāvoklī.
- Sekojiet tam, lai apstrādājamais materiāls būtu kārtīgi nofiksēts.

Ekspluatācijas riski

- Pirms skrūvgrieža uzgaļa vai mucīņas izmantošanas, sajūga regulēšanas vai instrumenta izjaukšanas atvienojiet gaisa padevi.
- Operatoriem un apkopes personālam ir jāprot apieties ar instrumenta lielumu, svaru un tā jaudu.
- Turiet motoru pareizi: esiet gatavi izturēt normālu pret darbību vai pēkšņas kustības — turiet gatavībā abas rokas.
- Tūlīt pēc sajūga regulēšanas pārbaudiet instrumenta pareizu darbību.
- Neizmantojiēt ar samazinātu gaisa spiedienu vai nodilušā stāvoklī: sajūgs var nenostādāt, izraisot pēkšņu instrumenta roktura griešanos.
- Vienmēr droši balstiet instrumenta rokturi pretēji vārpstas griešanās virzienam, lai mazinātu pēkšņa atsienas sekas galējas pievilksanas un sākotnējās atskrūvēšanas laikā.
- Ja iespējams, izmantojiēt piekares sviru, lai absorbētu reakcijas griezes momentu. Ja tas nav iespējams, taisna korpusa un pistoles roktura instrumentiem ieteicams izmantot sānu rokturus; leņķa uzgriežņatslēgām ieteicams

izmantot reakcijas stieņus. Jebkurā gadījumā ir ieteicams izmantot palīg līdzekļus, lai absorbētu reakcijas griezes momentu virs 4 Nm (3 lbf.ft) taisna korpusa instrumentiem, virs 10 Nm (7,5 lbf.ft) pistoles roktura instrumentiem un virs 60 Nm (44 lbf.ft) leņķa uzgriežnatslēgām.

- Atvērtā gala uzgriežņu atslēgās var sadragāt pirkstus.
- Nelietojiet šaurās telpās: sargiet rokas no iespīšanas starp instrumentu un apstrādājamo materiālu, it īpaši atskrūvēšanas laikā.

Atkārtotu kustību bīstamība

- Izmantojot elektroinstrumentu, lai veiktu ar darbu saistītas aktivitātes, operators var izjust diskomfortu plaukstās, rokās, plecos, kaklā vai citās ķermeņa daļās.
- Ieņemiet ērtu pozu, saglabājiet drošu atbalstu ar kājām un izvairieties no neērtām nelīdzsvarotām pozām. Pozas maiņa ilgstošu darbu laikā var palīdzēt izvairīties no diskomforta un noguruma.
- Neignorējiet tādas simptomus kā pastāvīgs vai regulārs diskomforts, sāpes, pulsēšana, smeldzi, džinkstēšana, tirpums, dedzināšanas sajūta vai stīvums. Pārtrauciet instrumenta izmantošanu, paziņojiet par to darba devējam un konsultējieties ar ārstu.

Trokšņa un vibrāciju riski

- Augsts skaņas līmenis var izraisīt pastāvīgu dzirdes zudumu un citas problēmas, piemēram, džinkstēšanu. Izmantojiet piemērotus ausu aizsardzības līdzekļus, kā to nosaka jūsu darba devējs vai darba drošības un veselības aizsardzības noteikumi.
- Vibrāciju iedarbība var radīt paliekošus bojājumus nerviem un roku un plaukstu asinsritei. Valkājiet siltas drēbes un turiet plaukstu siltas un sausas. Konstatējot nejutīgumu, tirpšanu, sāpes vai ādas bālumu, pārtrauciet instrumenta izmantošanu, paziņojiet par to darba devējam un konsultējieties ar ārstu.
- Turiet instrumentu vieglā, bet drošā satvērienā, jo parasti vibrācijas riski ir lielāki, kad satvēriens ir ciešs. Kur iespējams, izmantojiet piekares sviru vai uzstādiet sānu rokturi.
- Lai izvairītos no nevajadzīga trokšņa un vibrāciju līmeņa pieauguma:
- darbiniet un apkopiet instrumentu un izvēlieties, apkopiet un nomainiet piederumus un ekspluatācijas materiālus saskaņā ar instrukciju rokasgrāmatu;
- Neizmantojiet nodilušus vai slikti pieguļošus skrūvēgriežu elementus, darba uzgaļus vai pagarinājumus.

Darba vietas riski

- Slīdēšana/aizķeršanās/nokrišana ir viens no galvenajiem smagu traumu vai nāves cēloņiem. Uzmanieties no šļūtenes pārpalikumiem, kas var būt atstāti uz darba virsmas vai grīdas.
- Izvairieties no putekļu vai dūmu ieelpošanas vai darba ar gružiem, kas var kaitēt veselībai (piemēram, kaitēt grūtniecībai, izraisīt vāzi, astmu un/vai dermatītu). Strādājot ar materiāliem, kas izplata gaisā daļiņas, lietojiet putekļu ekstrakcijas un elpošanas aizsarglīdzekļus.

- Daži putekļi, kas rodas pulēšanas, zāģēšanas, slīpēšanas, urbšanas un citu būvdarbu rezultātā satur ķīmiskas vielas, kas Kalifornijas štatam zināmas, kā vēža, iedzimtu defektu un citu reproduktīvu kaitējumu izraisītājas. Tālāk doti daži piemēri:

- svins no svīnu saturošām krāsām;
- kristāla silīcija gabaliņi, cements un citi mūrēšanas produkti;
- arsēns un hroms no ķīmiski apstrādātas gumijas.

Šo iedarbību risks atšķiras atkarībā no tā, cik bieži jūs darāt šo darbu. Lai samazinātu šo ietekmi no šīm ķīmiskajām vielām: strādājiet labi vēdinātās vietās un lietojiet apstiprinātas aizsargiekārtas, piemēram, putekļu aizsargmaskas, kas speciāli izstrādātas, lai filtrētu mikroskopiskas daļiņas.

- Svešā darba vidē darbojieties uzmanīgi. Strādājot uzmanieties no potenciālas bīstamības, kas var rasties jūsu darbības rezultātā. Šis instruments nav nodrošināts pret saskari ar elektrisko strāvu vadošiem elementiem.
- Šo ierīci nav ieteicams izmantot potenciāli eksplozīvā atmosfērā.

i Papildu drošības informācija par pārnēsājamiem pneimatiskajiem instrumentiem:

- CAGI 2528 - B186.1, DROŠĪBAS KODEKSS PĀRNĒSĀJAMIEM PNEIMATISKAJIEM INSTRUMENTIEM, pieejams Global Engineering Documents vietnē <https://global.ihs.com/> vai zvanot uz +1 800 447-2273. Ja jums ir grūtības iegūt ANSI standartus, sazinieties ar ANSI caur mājas lapu <https://www.ansi.org/>

Noderīga informācija

Drošības datu lapa

Drošības datu lapās aprakstīti Chicago Pneumatic pārdotie ķīmiskie produkti.

Lai iegūtu plašāku informāciju, lūdzu, apmeklējiet Chicago Pneumatic tīmekļa vietni qr.cp.com/sds.

Izcelsmes valsts

Hungary

Vietne

Informāciju par mūsu produktiem, piederumiem, rezerves daļām un publicētajiem materiāliem var atrast Chicago Pneumatic tīmekļa vietnē.

Lūdzu, apmeklējiet: www.cp.com.

Autortiesības

© Autortiesības 2022, CHICAGO PNEUMATIC Tool Co.LLC, 1815 Clubhouse Road, Rock Hill, SC 29730 - USA

Visas tiesības paturētas. Satura vai tā daļas neatļauta izmantošana vai kopēšana ir aizliegta. It sevišķi tas attiecas uz preču zīmēm, modeļu nosaukumiem, daļu numuriem un

rasējumiem. Izmantojiet tikai atļautas daļas. Bojājumus vai darbības traucējumus, kurus izraisījusi neatļautu daļu lietošana, nesedz garantija vai ražotāja atbildība par produktu.

技术数据

工具数据

	空载速度 (rpm)	重量 (千 克)	重量 (lb)
CP2810	2400	0.8	1.8
CP2811	750	0.9	2.0
CP2812	950	1.1	2.4
CP2814	1100	0.8	1.8

表格 3: 手枪式螺丝刀

① 空载速度为 6.3 bar / 90 psig 时的最大工作压力

	空载速度 (rpm)	重量 (千 克)	重量 (lb)
CP2822	1300	0.9	2.0
CP2824	1500	0.9	2.0

表格 4: 直柄式螺丝刀

① 空载速度为 6.3 bar / 90 psig 时的最大工作压力

附加配件

对于以下型号，如果手枪式螺丝刀的扭矩超过 10 Nm，直柄式螺丝刀的扭矩超过 4 Nm，则必须使用侧手柄。

型号	侧手柄零件编号
CP2810	6151820079
CP2811	6151820079

型号	侧手柄零件编号
CP2812	6151820078
CP2822	6151820078

声明

EU 符合性声明

我们 (CHICAGO PNEUMATIC Tool Co.LLC, 1815 Clubhouse Road, Rock Hill, SC 29730 - USA) 全权声明，本产品 (名称、型号和序列号，请见首页) 符合以下指令：

2006/42/EC

应用的协调标准：
EN 11148-6:2012



政府机构可索取相关技术信息：

Pascal Roussy, R&D Manager, Ets Georges Renault, 38 rue Bobby Sands, BP10273 44818 Saint Herblain, France

Saint-Herblain, 2022/05/25

Pascal ROUSSY

发布者签名

噪音与振声明

声级 - ISO 15744

型号	LpA dB(A)	LWA dB(A)
CP2810	83	94
CP2811	83	94
CP2812	82	93
CP2814	76	87
CP2822	83	94
CP2824	73	-

LpA dB(A)：声压级

LWA dB(A)：声功率级

K / KpA = KWA = 3 dB：不确定度

振动级 -ISO 28927-2

	ahd (m/s ²)	K (m/s ²)
所有型号	<2.5	-

ahd, ah：振动级

以上声明值是根据一定标准获得的实验室测量值，可以与使用其它工具按照相同标准所测得的声明值进行对比。这些声明值不适合用于风险评估，在个别工作地点测出的值可能会更高。每个用户所经历的实际接触值和损害风险都各不相同，这取决于用户的工作方式，工件、工作站设计以及接触时间和用户的身体状况。

我们 (CHICAGO PNEUMATIC Tool Co.LLC) 郑重声明：对于在不受我们控制的工作场所状况下进行的单独风险评估，如使用声明值而非实际暴露值，则我们对后果概不负责。

如果该工具在使用时未经适当管理，则可能会导致手臂振动综合症。有关预防手臂振动的 EU 指南，请通过访问 <http://www.pneurop.eu/index.php> 并选择“工具” - “法规”进行查看。

我们建议制定一个健康监督方案，以尽早检测出可能与振动接触相关的早期症状，从而对管理程序进行修改，避免今后造成损害。

① 如果本设备适合于拧紧机系统：所提供的噪声排放信息可供机器装配者参考。整套机器的噪声和振动发射数据应在机器的指导手册中提供。

有关 REACH 第 33 条的信息

欧洲法规 (EU) No. 1907/2006 化学品的注册、评估、授权和限制 (REACH) 定义了与供应链中通信相关的要求。信息要求也适用于含有所谓高度关注物质 (“候选列表”) 的产品。2018 年 6 月 27 日, 铅金属 (CAS 编号 7439-92-1) 被纳入候选列表。

根据上述要求, 特此通知您产品中的某些机械部件可能含有铅金属。这符合现行的物质限制法规, 并基于 RoHS 指令 (2011/65/EU) 中的合法豁免。在正常使用过程中, 铅金属不会从产品中泄漏或突变, 并且整个产品中的铅金属浓度远低于适用的阈值限制。请考虑当地对产品寿命终止时铅处置的要求。

区域性要求

警告

该产品可能会使您暴露于化学物质 (包括铅), 加利福尼亚州已明确铅可导致癌症和先天缺陷或其他生殖危害。更多信息请访问

<https://www.p65warnings.ca.gov/>

安全

切勿丢弃 – 请交给使用者

警告 阅读随本产品提供的所有安全警告、说明、图解和规格。

不遵守下列全部说明可能导致电击、火灾、财产损失和/或严重的伤害。

保存所有警告和说明书以备查阅。

警告 安装、操作以及维护过程中必须始终遵守当地的安全法规。

使用声明

- 仅供专业使用。
- 此产品及其附件不得以任何形式进行改造。
- 如果此产品已损坏, 则不得使用。
- 如果产品上的产品数据或危险警示牌不再清晰可读或已脱落, 请立即更换。
- 该产品必须只能由具有相关资质的人员在工业环境中安装、操作和维护。

预期用途

此产品用于安装和拆卸木制、金属制或塑料制的螺纹扣件。仅供室内使用。

不得用于其它用途。

使用不是由制造商提供的原装备用零件或配件可能会导致工具性能下降以及维护次数、噪音水平或振动增多, 且制造商会因此完全拒绝承担责任。

产品特定说明

产品描述

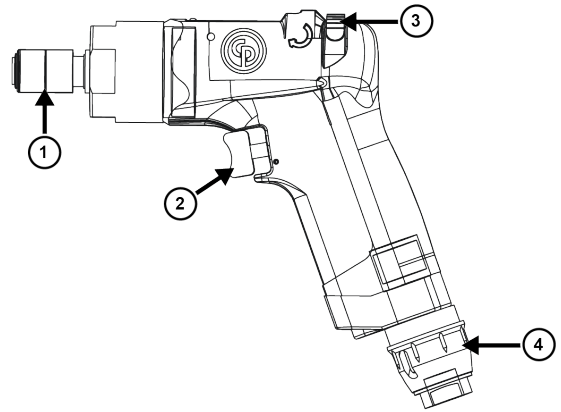


插图 12: CP2810 / CP2811 / CP2812

项目	说明
1	快速更换卡盘
2	触发器
3	反向旋转按钮
4	可调式排气装置

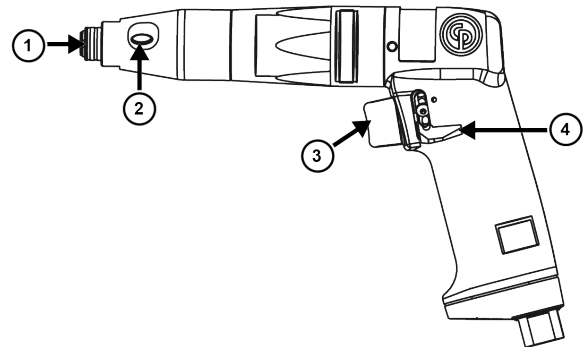


插图 13: CP2814

项目	说明
1	快速更换卡盘
2	扭矩调节入口
3	触发器
4	反向旋转按钮

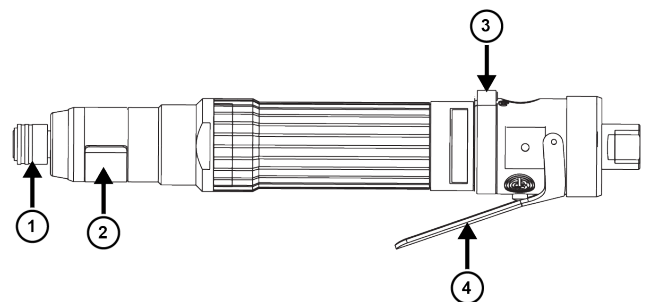


插图 14: CP2822 / CP2824

项目	说明
1	快速更换卡盘
2	扭矩调节入口
3	反向旋转按钮
4	触发器

安装本工具

1. 将附件正确固定到工具上。
2. 连接Air diagram (页次 4)中所示的工具。

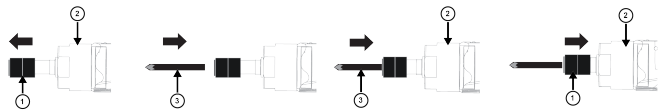
启动工具

⚠ 警告 操作危险

启动工具前，确保工具正确连接到气源。

- 检查气动连接。
- 参见气路图。

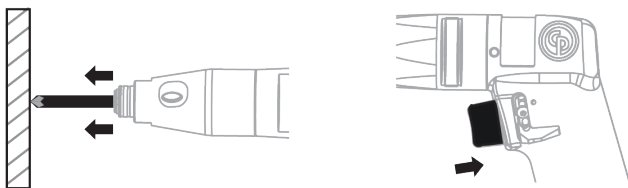
安装批头



1. 从工具 (2) 上拔下快速更换卡盘 (1)。
2. 批头 (3) 定位。
3. 将批头 (3) 连接到工具 (2)。
4. 将快速更换卡盘 (1) 推到工具 (2) 上。
5. 确保快速更换卡盘 (1) 安装正确。

按下触发器

对于 CP2810 / CP2811 / CP2812 / CP2814



操作按键启动工具：

1. 在工具对物体进行操作的同时，对批头施加压力。
2. 按下工具触发器。

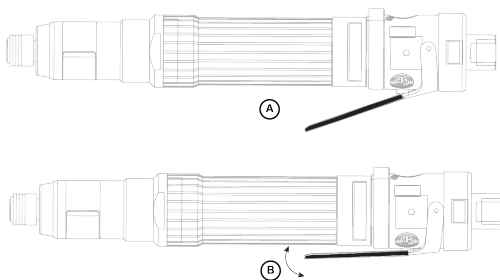


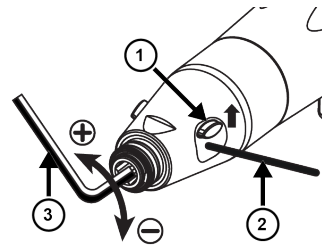
插图 15: CP2822 / CP2824

A 触发器关闭

B 触发器开启

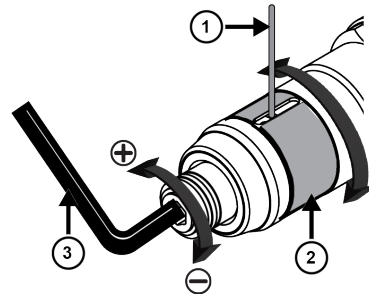
调节扭矩

对于 CP2812 / CP2814



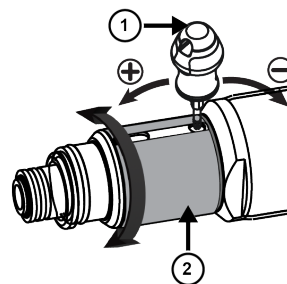
1. 向上滑动扭矩调节检修盖 (1)。
2. 插入杆 (2)。
3. 插入 6.35 mm 内六角扳手 (3) 调节扭矩。
4. 向下滑动扭矩调节检修盖 (1)。

对于 CP2822



1. 旋转扭矩调节检修盖 (2) 以进入槽。
2. 插入杆 (1)。
3. 插入 6.35 mm 内六角扳手 (3) 调节扭矩。
4. 旋转扭矩调节检修盖 (2) 至它的原始位置。

对于 CP2824



1. 旋转扭矩调节检修盖 (2) 以进入槽。
2. 插入离合器设置螺丝刀 (1) 调节扭矩。
3. 旋转扭矩调节检修盖 (2) 至它的原始位置。

常规安全说明

空气供给和连接危险

- 压缩空气可能造成严重伤害。
- 在更换附件或者进行维修之前，若不使用工具，务必始终关闭气源、释放管中气压并断开工具与气源

- 任何时候不得将压缩空气对准自己或他人。
- 甩动的软管可造成严重的伤害。请务必检查软管和管件是否损坏或松动。
- 工具尾端不要直接使用快速接头。请参阅说明进行正确设置。
- 使用万向联轴节的时候一定要安装防松销钉。
- 不得超过最大空气压力 6.3 bar / 90 psig，也不得超过工具铭牌上注明的压力值。

缠绕危险

- 远离旋转驱动装置。操作工具或配件时不得穿着宽松的衣服、戴手套、佩戴首饰、项链，并应整理好头发，否则可能发生窒息、撕脱头皮和/或划伤。
- 手套可能会被驱动装置缠住，导致手指被切断或断裂。
- 驱动装置套筒和驱动器延长件能够很容易地切断橡胶手套或金属强化手套。
- 不得戴宽松的手套、半指手套或手指部分磨损的手套。
- 不得握住驱动装置、套筒或驱动器延长件。

抛射物危险

- 进行工具的操作、修理或维护工作或者更换工具附件或靠近操作现场时，要戴上耐冲击的眼部和面部护具。
- 要确认该区域的所有其他人都已戴上耐冲击的眼部和面部护具。即使较小的抛射物也可能对眼睛造成伤害并导致失明。
- 紧固件的过度扭转或扭转不足可能会导致其断裂、松动和分离，从而对人体造成严重的伤害。弹射出的配件可能相当于射出的子弹。配件需要特定的扭矩，因此必须使用扭矩计进行检查。
注意，所谓的“棘爪”转矩扳手无法检查扭矩是否可能过大的危险情况。
- 不得使用手动扳手。只能使用完好的电动或机动扳手。
- 确保工件牢固固定。

操作危险

- 在操作起子头或套筒，调整离合器或拆除工具之前，请断开空气供给。
- 操作人员和维护人员必须有足够的体力掌握体大沉重的动力工具。
- 正确握住工具：准备好应对可能出现的正常或突然移动 - 双手都要做好准备。
- 调整完离合器后，立即检查能否正确操作。
- 请勿在气压降低或出现磨损时使用：离合器可能不工作，从而导致工具把手突然旋转。
- 在主轴旋转的相反方向始终安全地支撑住工具把手，以减少在最后拧紧和初始松开期间突发扭矩反应所产生的影响。
- 如有可能，应使用悬臂以抵御反作用转矩。如不可能，对于手钻和带握把手钻工具，建议使用侧手柄；对于角度螺母扳手，建议使用反作用杆。在任何情况下，我们建议应避免采取各种方式抵御反作

用转矩以避免：手钻工具超过 4 Nm (3 lbf.ft)；带握把手钻工具超过 10 Nm (7.5 lbf.ft)；角度螺母扳手超过 60 Nm (44 lbf.ft)。

- 开口的爪形螺帽扳手可能将手指碾碎。
- 不要在受限空间中使用：不要把手放在工具和工件之间，尤其是在进行松拧时，注意不要挤伤双手。

重复性动作的危害

- 使用电动工具执行工作相关操作时，操作人员的双手、手臂、肩膀、脖子或身体其他部位可能会感到不适。
- 采用舒适的姿势，同时又能保持站稳，避免采用别扭或容易导致身体失去平衡的姿势。在进行长时间任务时，改变姿势有助于避免出现不适或疲劳。
- 不要忽视持续或断断续续的不适、疼痛、搏动、酸痛、麻感、麻木、灼烧感或僵硬等症状。如有此类症状，请停止使用工具，告知雇主并咨询医师。

噪音和震动危害

- 极高的声音强度可能会导致永久性的听力受损，以及诸如耳鸣的其他问题。使用您的用人单位或职业健康和安全法规推荐的听力保护用具。
- 暴露在震动环境中会对双手和手臂的神经和供血造成致残伤害。请穿着保暖衣物并保持双手温暖干燥。如果发现手脚麻木、刺痛、疼痛或皮肤发白，应该停止使用本工具，告知雇主并征求医生意见。
- 以安全的方式轻握工具，因为震动带来的风险一般来说在握力更大时会更高。在可以的情况下使用悬架臂或在侧面安装一个把手。
- 要避免噪声及振动水平无谓增加：
- 按照本说明手册操作和维护工具，以及选择、维护和更换附件及消耗品；
- 请勿使用磨损或装配不当的起子头、套筒或加长件。

工作场所的危险

- 滑倒/绊倒/跌倒是造成严重伤害或死亡的一个主要原因。要注意地面上或者工件台面上多余的管子。
- 避免在工作过程中吸入粉尘或烟雾，或触碰碎屑，这些情况可能引起健康问题（例如，癌症、出生缺陷、哮喘和/或皮炎）。在处理可产生尘埃颗粒的材料时，请使用吸尘装置并戴上呼吸防护设备。
- 砂磨、锯切、打磨、钻孔等生产活动所产生的某些粉尘可能含有加州当局已知的可能导致癌症、先天性缺陷或其他生殖伤害的化学物品，例如：
 - 铅基涂料中的铅
 - 结晶硅砖和水泥以及其他泥工产品
 - 经过化学处理的橡胶中含有的砷和铬

您暴露于这些化学物质的风险因您做该类工作的频率而异。为了降低您暴露于这些化学物质的风险，请注意下列事项：应该在通风良好的区域内工作，并使用经过核准的安全设备，比如专用的可以滤掉微粒的防尘面罩。

- 在不熟悉的环境中，请谨慎操作。要清楚您的作业活动可能导致的潜在危险。此工具并未与电源隔离。
- 不建议在有爆炸性气体的环境中使用此工具。

① 有关便携式气动工具的其他安全信息：

- CAGI 2528 - B186.1, 便携式气动工具安全规范, 可从 <https://global.ihs.com/> 的“全球工程文件”上或者致电 +1 800 447-2273 获取该文件。对于获取 ANSI 标准有任何疑问, 请访问 <https://www.ansi.org/> 与 ANSI 联系。

有用的信息

安全数据表

安全数据表描述 Chicago Pneumatic 销售的化学产品。

有关更多信息, 请访问 Chicago Pneumatic 网站 qr.cp.com/sds。

原产地

Hungary

网站

有关我们的产品、配件、备件和已发布事项的信息, 请访问 Chicago Pneumatic 网站。

请访问：www.cp.com。

版权所有

© 版权所有 2022, CHICAGO PNEUMATIC Tool Co.LLC, 1815 Clubhouse Road, Rock Hill, SC 29730 - USA

保留所有权限。禁止对此内容或其部分内容进行任何未经授权的使用或复制。本规定专门适用于商标、型号名称、部件编号和图纸。请仅使用经授权的部件。保修或产品责任不包括任何由于使用未经授权的部件而造成的损坏或故障。

技術データ

ツールデータ

	無負荷回転数(rpm)	重量 (kg)	重量 (ポンド)
CP2810	2400	0.8	1.8
CP2811	750	0.9	2.0
CP2812	950	1.1	2.4
CP2814	1100	0.8	1.8

表 3: COMBI ピストル スクリュードライバー

① 自由回転での最大作動圧力は6.3 bar/90 psigです。

	無負荷回転数(rpm)	重量 (kg)	重量 (ポンド)
CP2822	1300	0.9	2.0
CP2824	1500	0.9	2.0

表 4: ストレート スクリュードライバー

① 自由回転での最大作動圧力は6.3 bar/90 psigです。

追加の付属品

ピストルドライバーで 10 Nm、ストレートドライバーで 4 Nm を超えるトルクを以下のモデルで使用する場合、サイドハンドルを使用する必要があります。

型式	サイドハンドル部品番号
CP2810	6151820079
CP2811	6151820079

型式	サイドハンドル部品番号
CP2812	6151820078
CP2822	6151820078

宣言

EU 適合宣言

弊社CHICAGO PNEUMATIC Tool Co.LLC, 1815 Clubhouse Road, Rock Hill, SC 29730 - USAは、弊社製品 (名称、型式、およびシリアル番号に関してはフロントページ参照) が次の指令に準拠していることを、当社単独責任の下で宣言します：

2006/42/EC

適用する整合規格：
EN 11148-6:2012

当局は、以下から関連する技術情報を要求できます。
Pascal Roussy, R&D Manager, Ets Georges Renault, 38 rue Bobby Sands, BP10273 44818 Saint Herblain, France

Saint-Herblain, 2022/05/25

Pascal ROUSSY

発行者による署名



騒音と振動に関する宣言

サウンドレベル - ISO 15744

型式	LpA dB(A)	LWA dB(A)
CP2810	83	94
CP2811	83	94
CP2812	82	93
CP2814	76	87
CP2822	83	94
CP2824	73	-

LpA dB (A) : 音圧レベル

LWA dB (A): 音響パワーレベル

K/kPa = KWA = 3 dB: 不確かさ

振動レベル-ISO 28927-2

	AHD (m/s ²)	K (m/s ²)
すべてのモデル	<2.5	-

ahd, ah : 振動レベル

これらの宣言値は、規定の基準に従って行われた実験室環境でのテストにより得られたもので、同じ基準に従ってテストされた他のツールの宣言値との比較に適する。これらの宣言値は、リスク評価における使用には適しておらず、個々の作業現場における測定値が宣言値を上回る場合もあり得る。実際の暴露値と個々の使用者が被る被害は様々であり、使用者の作業方法、作業対象物、作業環境、および使用者の暴露時間と健康状態に依存する。

当社 CHICAGO PNEUMATIC Tool Co.LLCは、弊社が管理できない作業場所の状況における個々のリスク評価において、実際の露出を反映した値ではなく宣言した値を使用した影響に対して責任を負うことはできません。

本ツールの利用が適切に管理されていなければ、手腕振動障害を引き起こすことがあります。手腕振動を管理するためのEUのガイドは、<http://www.pneurop.eu/index.php>にアクセスし、「ツール」、次に「法制」を選択すれば見ることができます。

振動暴露によると思われる初期症状を発見するために、定期的な健康診断の実施が望ましい。これにより、将来の機能障害を防ぐための管理手法を見直すことが可能となる。

- ① 本装置を固定して使用する場合、放出騒音は機械組立員への参考として表示してあります。完成機械用の放出騒音および放出振動のデータは機械の取扱説明書に記載されています。

REACH第33条に関する情報

化学物質の登録、評価、認可および制限に関する欧州(EU)規制第1907/2006号(REACH)は、とりわけサプライチェーンにおけるコミュニケーションに関する要件を定義しています。情報要件は、いわゆる「高懸念物質(SVHC)」、「候補リスト」を含む製品にも適用されます。2018年6月27日に、鉛金属(CAS番号7439-92-1)が候補リストに追加されました。

本書は、製品の特定の機械部品が鉛金属を含む可能性があることを、上記に従ってお知らせすることを目的としています。これは現行の化学物質規制法に準拠しており、RoHS指令(2011/65/EU)の合法的免除に基づいています。通常の使用中に鉛金属が製品から漏れたり、変化することはありません。また、製品全体の中の鉛金属の濃度は、該当する限界値をはるかに下回ります。製品の寿命終了時における鉛の処理に関する地域の要件をご考慮ください。

地域の要件

⚠ 警告

本製品によって、カリフォルニア州において癌や出生異常、その他生殖能への悪影響を引き起こすことが知られている鉛などの化学物質に晒されることがあります。詳細情報については<https://www.p65warnings.ca.gov/>をご覧ください。

<https://www.p65warnings.ca.gov/>

安全

捨てないでください - ユーザに渡してください

⚠ 警告 本製品に付属するすべての安全警告、指示、図、仕様をお読みください。

以下に列記したすべての指示に従わない場合、感電、火災、物的損害および/あるいは重傷に至る危険性があります。

今後の参考のために、すべての警告と注意事項を保管しておいてください。

⚠ 警告 設置、運転、およびメンテナンスに関連する、地域で制定された安全基準は常に順守されなければなりません。

使用に関するステートメント

- 業務用専用です。
- 本製品とその付属品は絶対に改造しないでください。
- 損傷している場合は本製品を使用しないでください。
- 本製品のツールデータ、危険性の警告サインの読み取りができなくなったり、外れている場合、即座に交換してください。
- 本製品は、工業的環境において有資格の担当者のみが設置、操作、修理するようにしてください。

使用目的

本製品は、木製、金属製、またはプラスチック製のネジ付きファスナの取り付けと取り外しのために設計されています。屋内使用のみ。

その他の用途での使用は許可されていません。

メーカーから最初に提供された純正品以外のスペアパーツまたはアクセサリを使用すると、パフォーマンスが低下し、メンテナンス、ノイズレベル、または振動が増加する可能性があります。その結果に対し、メーカーは一切責任を負いかねますのでご了承ください。

製品の詳細説明書

製品の説明

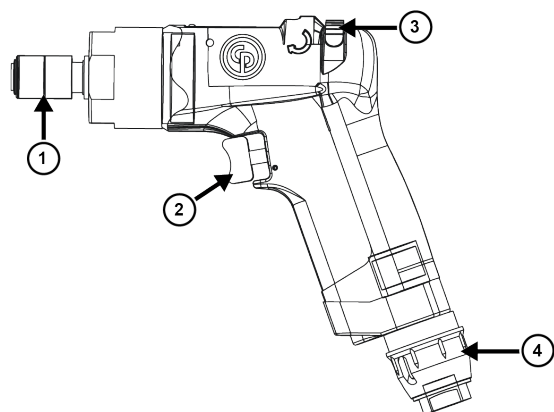


図 12: CP2810 / CP2811 / CP2812

アイテム	説明
1	クイックチェンジ チャック
2	トリガ
3	逆回転ボタン
4	調節可能なエア排気

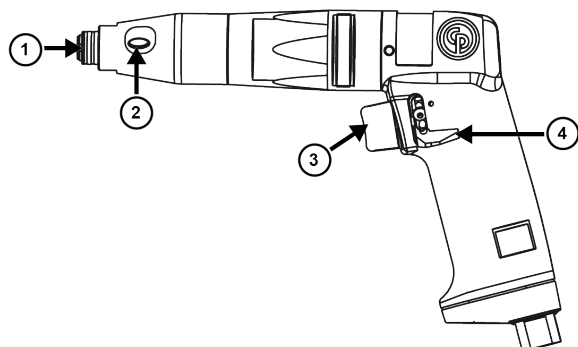


図 13: CP2814

アイテム	説明
1	クイックチェンジ チャック
2	トルク調整アクセス
3	トリガ
4	逆回転ボタン

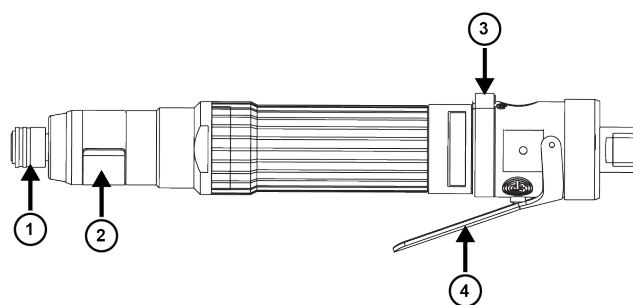


図 14: CP2822 / CP2824

アイテム	説明
1	クイックチェンジ チャック
2	トルク調整アクセス
3	逆回転ボタン
4	トリガ

ツールの設置

1. アクセサリをツールに正しく固定します。
2. Air diagram [ページ 4]のセクションに示す通りにツールを接続します。

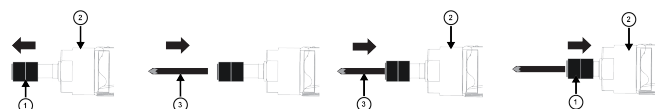
ツールの始動

⚠ 警告 操作に伴う危険性

ツールを始動する前に、ツールが空気圧供給装置に正しく接続されていることを確認してください。

- 空気圧部の接続を確認してください。
- 空気回路図を参照してください。

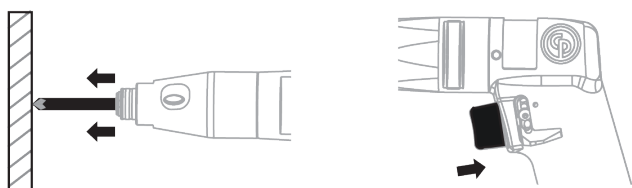
ビットの取り付け



1. クイックチェンジチャック (1) をツール (2) から引き抜きます。
2. ビット (3) を配置します。
3. ビット (3) をツール (2) に挿入します。
4. クイックチェンジチャック (1) をツール (2) に押し込みます。
5. クイックチェンジチャック (1) が正しく取り付けられていることを確認します。

トリガーを押す

CP2810 / CP2811 / CP2812/CP2814 の場合



プッシュ・ ツー・ スタートツールの操作 :

1. ツールを加工対象物に当てて、ツールが作動している時に、ビットに圧力をかけます。
2. ツールのトリガーを押します。

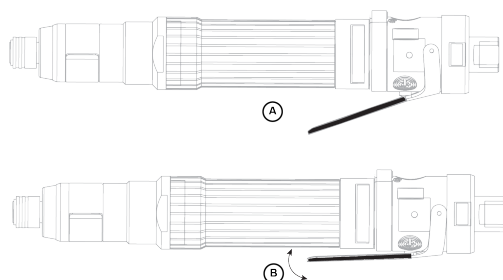
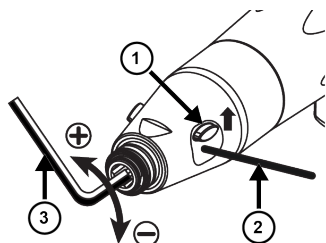


図 15: CP2822 / CP2824

A	トリガーオフ
B	トリガーオン

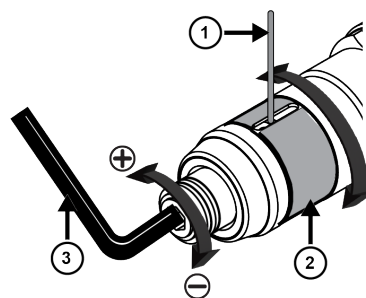
トルクの調整

CP2812 / CP2814 の場合



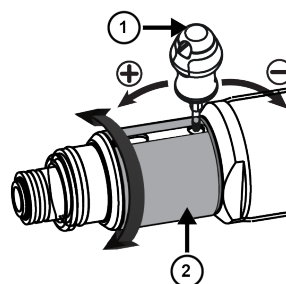
1. トルク調整アクセスカバー (1) を上にスライドさせます。
2. ステム (2) を挿入します。
3. トルクを調整するには、サイズ 6.35mm の六角レンチ (3) を挿入します。
4. トルク調整アクセスカバー (1) を下にスライドさせます。

CP2822 の場合



1. トルク調整アクセスカバー (2) を回転させてスロットにアクセスできるようにします。
2. ステム (1) を挿入します。
3. トルクを調整するには、サイズ 6.35mm の六角レンチ (3) を挿入します。
4. トルク調整アクセスカバー (2) を元の位置まで回します。

CP2824 の場合



1. トルク調整アクセスカバー (2) を回転させてスロットにアクセスできるようにします。
2. クラッチ設定スクリュードライバー (1) を挿入してトルクを調整します。
3. トルク調整アクセスカバー (2) を元の位置まで回します。

一般的な安全に関する注意事項

給気と接続の危険性

- 空圧は重大な怪我の原因となることがあります。
- 使用していないとき、アクセサリ交換前、修理時には必ず給気を切り、空圧のかかったホースを排気し、ツールを給気口から外してください。
- エアを決して自分または他の人に向けないでください。
- ホースがゴムのように跳ねると、大きなケガを引き起こす可能性があります。ホースや取付具の損傷や弛みを必ず点検してください。
- クイック・ディスコネクト・カプリングをツールに使用しないでください。正しい設定方法については説明書をご覧ください。
- ユニバーサル・ツイスト・カプリングを使用する場合は、かならずロックピンを取り付けてください。
- 6.3 bar/90 psig またはツールの銘板に書かれている最高空気圧を超えないようにしてください。

絡まりの危険性

- 回転している駆動部から離れてください。ルーズな衣服、手袋、装身具、ネックレス、頭髮などを工作機械および付属機器に近づけないようにしないと、機械詰まり、頭皮の引き込み、裂傷などを引き起こす原因になります。
- 手袋は回転駆動部と絡まり、指に重傷を負わせたり骨折することがあります。
- 回転駆動部ソケットや駆動延長部は、ゴムでコーティングした手袋や金属強化した手袋と絡みやすくなります。
- 寸法の合わない手袋や指先が摩耗した手袋、先をカットした手袋を使わないでください。
- 駆動部、ソケット、駆動延長部を決してつかまないでください。

飛散物の危険性

- ツールの操作、修理、保守の際、あるいはツールのアクセサリを交換する際、または、その近くにいる場合、必ず目と顔を守る耐衝撃性防具を着用してください。
- 同じ場所にいるほかの全員も、耐衝撃性のある目と顔の保護装備を装着してください。小さな飛散物であっても目を傷つけて失明の原因となります。
- 締め具のトルクが強すぎたり、弱すぎたりすると、壊れたり、緩んで分離したりして、重大なケガの原因になりかねません。アセンブリが外れると、飛散物になることがあります。特定のトルクを必要とする組み立てでは、トルクメーターで必ずトルクを確認してください。
注意：いわゆる「クリック」トルクレンチでは、潜在的に危険なトルク超過状態を確認することができません。
- ハンドソケットを使わないでください。良好な状態の電源ソケットがインパクトソケットのみ使用してください。
- ワークピースがしっかりと固定されているか確認してください。

操作に伴う危険性

- スクリュードライバービットやソケットの操作、クラッチの調整、またはツールの分解前には、給気の接続を外してください。
- 作業者と保守要員には、このツールの大きさ、重量および動力の取り扱いが可能な身体能力が必要です。
- ツールを正しく保持してください。通常または突然の動きに対処できるよう準備しておいてください。両手を使用できるようにしておいてください。
- クラッチの調整後、直ちに正確に作動するか確認してください。
- エアー圧が減圧された状態で、または磨耗した状態で使用しないでください。クラッチが作動せず、ツールハンドルが突然回転することがあります。

- 最後の締め付け、または初期緩めの時期に起こる突然のトルク反動を軽減するために、ツールのハンドルを常に軸の回転と反対方向にしっかりと固定してください。
- 可能であれば、反動トルクを吸収するサスペンションアームを使用してください。これが可能でなければ、まっすぐなケースのツールやピストルグリップツールの場合、サイドハンドルを推奨します。角度ナットランナの場合、反力バーを推奨します。いかなる場合でも、まっすぐなケースのツールでは 4 Nm (3 lbf.ft) より大きなりアクショントルク、ピストルグリップツールでは 10 Nm (7.5 lbf.ft) より大きなりアクショントルク、角度ナットランナでは 60 Nm (44 lbf.ft) より大きなりアクショントルクを吸収する手段を使用することを推奨します。
- ナットランナーのカギツメ開口部で、指が粉碎されるおそれがあります。
- 閉所では使用しないでください。特にスクリューを外しているときに、ツールと作業対象物の間で手に挫傷を負わないようご注意ください。

繰り返し動作の危険性

- パワーツールを使って作業に関連する動作を行う際に、手や腕、肩、首、その他の身体の部位に作業員が不快感をもつことがあります。
- 足をしっかりと保ち、無理な姿勢やバランスを崩した姿勢を避けながら操作しやすい姿勢を取ってください。長時間の作業中に姿勢を変えることで、不快感や疲労を避けることができます。
- 持続的な不快感や繰り返しのある不快感、痛み、拍動、疼き、刺痛、麻痺、焼けるような感覚、固さといった兆候を無視しないでください。ツールの使用を中止し、雇用主に伝え、医師の診察を受けてください。

ノイズおよび振動障害

- 高サウンドレベルにより永久に聴力が失われたり、耳鳴りなどの問題が生じることがあります。ご自身の雇用者、または職業上の健康と安全のための規定で推奨される防音用耳栓を使用してください。
- 振動への暴露は神経を損傷し、手腕の血液供給を阻害する危険性があります。温かい衣服を着用し、手を暖かく乾燥した状態に保ってください。麻痺やチクチクした痒みがある場合、または肌が蒼白化した場合、ツールの使用を中止し、雇用主に伝えて医師の診察を受けてください。
- 握る力を強くすると振動の危険性が一般に高くなるため、ツールは軽く安全に握って保持してください。可能であれば、サスペンションアームを使用するか、サイドハンドルを取り付けてください。
- 騒音や振動のレベルが不必要に高くないようにするには、
- 本取扱説明書にしたがってツールを操作、保守し、アクセサリと消耗品を選択、保守、交換します。

- ・ 摩耗したり、正しく取り付けられていないスクリュードライバビット、ソケット、延長部は使用しないでください。

作業場の危険性

- ・ 滑ること、つまづくこと、転倒が重大なケガや死亡事故の主な原因です。歩く所や作業場の床に置いたままの余分なホースに気をつけてください。
- ・ 作業の過程で出るホコリを吸い込んだり、破片に手で触れないでください。健康上有害となる可能性があります(癌、出生異常、喘息、皮膚炎など)。浮遊粒子の生じる物質を扱う作業では、集塵機を使用し、呼吸用保護具を装着してください。
- ・ 動力を使った研磨、切断、研削、穴あけ、その他の建築作業で生じるホコリには、カリフォルニア州において、癌や出生異常その他生殖への危害を引き起こすことが知られている化学物質が含まれている場合があります。以下は、そうした化学物質の例です:
 - ・ 鉛入りの塗料から出る鉛
 - ・ 結晶シリカのレンガやセメントその他の築壁用製品
 - ・ 化学処理したゴムに由来する砒素およびクロム
 こうしたものに曝されることによる危険性は、このような作業をどれほど頻繁に行うかによって異なります。こうした化学物質への曝露を低減するには、十分な換気が行われている場所で作業し、微細粒子を除去する特殊設計の防塵マスク等の認可された安全機器を使って作業を行ってください。
- ・ 慣れない環境で作業する場合は、細心の注意を払ってください。作業によって生じる可能性のある危険に注意を払ってください。このツールは、電源と接触する場合に対して絶縁されていません。
- ・ このツールは爆発する可能性のある環境下で使用しないでください。

① ポータブルエアツールに関する追加安全情報:

- ・ CAGI 2528 - B186.1、「ポータブルエアツールの安全規定 (SAFETY CODE FOR PORTABLE AIR TOOLS)」はGlobal Engineering Documents (<https://global.ihs.com/>) から入手いただくか、+1 800 447-2273までお電話ください。ANSI (米国規格協会) 規格が入手できない場合は、<http://www.ansi.org/> からANSIまでお問い合わせください。

有用な情報

安全データシート

安全データシートには、Chicago Pneumaticが販売する化学製品が記載されています。

詳細情報については、Chicago Pneumaticウェブサイト (qr.cp.com/sds) を参照してください。

生産国

Hungary

ウェブサイト

当社の製品、付属品、スペアパーツおよび公表事項に関する情報は、Chicago PneumaticのWebサイトにてご覧いただけます。

次をご覧ください : www.cp.com.

著作権

© 著作権 2022, CHICAGO PNEUMATIC Tool Co.LLC, 1815 Clubhouse Road, Rock Hill, SC 29730 - USA

無断複写・複製・転載を禁ず。本書の内容の一部または全部を無断転載あるいは不正使用することは禁止されています。上記禁止行為は、特に商標、モデルの文書化、部品番号および図面に適用されます。認可済みの部品のみ使用してください。未認可の部品の使用によって引き起こされる一切の損傷または誤動作は、保証責任または製造物責任の対象とはなりません。

기술 자료

공구 자료

	공회전 속도 (rpm)	무게 (kg)	무게 (lb)
CP2810	2400	0.8	1.8
CP2811	750	0.9	2.0
CP2812	950	1.1	2.4
CP2814	1100	0.8	1.8

표 3: 피스틀 스크루드라이버

① 공회전 속도에서 최대 작동 압력: 6.3 bar / 90 psig

	공회전 속도 (rpm)	무게 (kg)	무게 (lb)
CP2822	1300	0.9	2.0
CP2824	1500	0.9	2.0

표 4: 스트레이트 스크루드라이버

① 공회전 속도에서 최대 작동 압력: 6.3 bar / 90 psig

추가 부속품

아래 모델의 경우 피스틀 스크루드라이버 토크가 10 Nm 를 초과하고 스트레이트 스크루드라이버의 토크가 4 Nm 를 초과하면 사이드 핸들을 반드시 사용해야 합니다.

모델	사이드 핸들 부품 번호
CP2810	6151820079
CP2811	6151820079

모델	사이드 핸들 부품 번호
CP2812	6151820078
CP2822	6151820078

선언

EU 적합성 선언

CHICAGO PNEUMATIC Tool Co.LLC,
1815 Clubhouse Road, Rock Hill, SC 29730 -
USA은(는) 제품(이름, 종류 및 일련번호 포
함, 제1면 참조)이 다음 지침을 준수하고 있
음을 당사의 전적인 책임 하에 선언합니다.



2006/42/EC

합의 표준 적용:
EN 11148-6:2012

관련 기술 정보는 관계 당국에서만 요청할 수 있음:
Pascal Roussy, R&D Manager, Ets Georges Renault, 38 rue
Bobby Sands, BP10273 44818 Saint Herblain, France

Saint-Herblain, 2022/05/25

Pascal ROUSSY

발급자 서명

소음 및 진동 표시 선언

소음 수준 - ISO 15744

모델	LpA dB(A)	LWA dB(A)
CP2810	83	94
CP2811	83	94
CP2812	82	93
CP2814	76	87
CP2822	83	94
CP2824	73	-

LpA dB(A): 음압 레벨

LWA dB(A): 음향 파워 레벨

K / KpA = KWA = 3 dB: 불확도

진동 수준 -ISO 28927-2

	ahd (m/s ²)	K (m/s ²)
전체 모델	<2.5	-

ahd, ah: 진동 수준

이러한 표시 값은 언급된 표준에 따라 실험실 유형 테스
트에 의해 획득되었으며 동일한 표준에 따라 테스트한
다른 공구의 표시 값과 비교하기에 적합합니다. 이러한
표시 값은 위험 평가에 사용하기에 적합하지 않으며 개
별 작업장에서 측정된 값이 더 높을 수 있습니다. 실제 노
출 값과 개별 사용자가 경험한 유해 위험 수준은 고유하
며 사용자의 작업 방식, 작업 대상물, 작업대 설계 뿐만
아니라 노출 시간 및 사용자의 신체적 조건에 따라 다릅
니다.

CHICAGO PNEUMATIC Tool Co.LLC는 당사가 통제
할 권한이 없는 작업장 상황에서 개별적인 위험 평가로
실제 노출을 반영하는 값 대신 표시 값의 사용에 따른 결
과에 대해 책임을 지지 않습니다.

본 공구를 적절히 관리하면서 사용하지 않으면 손-팔 진
동 증후군이 유발될 수 있습니다. 손-팔 진동 증후군 관
리에 대한 EU 참고 자료는 <http://www.pneurop.eu/index.php>
에 접속한 다음 '공구', '법규' 순으로 선택하면 확인할 수
있습니다.

당사는 소음 또는 진동 노출과의 관련 가능성이 있는 증
상을 조기에 감지하는 건강 감시 프로그램을 권장하며,
이를 통해 관리 절차를 수정하여 향후 발생할 수 있는 장
애를 사전에 차단할 수 있습니다.

- ⓘ 이 장비는 고정 설비에 사용하도록 되어 있습니다.
소음 방출은 기계 설치업자의 참고 자료로 활용됩니
다. 완성된 기계의 소음 및 진동 방출 데이터는 기계
의 사용 설명서에 수록되어 있습니다.

REACH 33조에 관한 정보

등록, 평가, 허가 및 화학 물질 규제(REACH: Registration,
Evaluation, Authorization and restriction of Chemicals)에 관
한 유럽 규정 (EU) No. 1907/2006은 공급망에서 커뮤니케
이션과 관련된 요구 사항을 정의합니다. 정보 요구 사항
은 소위 매우 우려가 되는 물질(이하 “후보목록”)이 포함
된 제품에도 적용됩니다. 2018년 6월 27일 납 금속(CAS
no 7439-92-1)이 후보 목록에 추가되었습니다.

위의 내용에 의거하여 제품의 특정 기계 부품에 납 금속
이 포함될 수 있음을 알려드립니다. 이는 현재의 물질 제
한 법안에 적합하며 RoHS 지침(2011 / 65 / EU)의 합법적
면제에 근거합니다. 납 금속은 정상적인 사용 중에는 제
품에서 누출되거나 변이가 되지 않으며, 완제품에서 납
금속의 농도는 적용 기준 한계보다 훨씬 낮습니다. 제품
폐기시 납의 폐기에 대한 현지 요구 사항을 고려하십시오.

지역 요구 사항

⚠ 경고

이 제품을 사용하면 캘리포니아 주에서 보고된 암 및
선천적 장애 또는 기타 출산 장애를 유발하는 납을
포함한 화학 물질에 노출될 수 있습니다. 자세한 정
보는 <https://www.p65warnings.ca.gov/> 웹 사이트를 참
조하십시오.

<https://www.p65warnings.ca.gov/>

안전

버리지 마십시오 – 사용자에게 주십시오

- ⚠ 경고 이 제품과 함께 제공되는 모든 안전 경고, 지침,
그림 및 사양을 읽으십시오.

아래 나열된 지침을 모두 따르지 않으면 감전, 화재,
재산의 손해 및/또는 심각한 부상이 발생할 수 있습
니다.

나중에 참조할 수 있도록 모든 경고와 지침을 보관하
십시오.

- ⚠ 경고 설치, 운영 및 유지보수에 대해 지역별로 지정
된 안전 규칙은 언제나 지켜야 합니다.

용도 선언

- 전문 용도로만 사용하십시오.
- 이 제품과 그 부속품을 변형시켜서는 안 됩니다.
- 이 제품이 손상된 경우 사용하지 마십시오.
- 제품 데이터 또는 위험 경고 징후가 보이거나 확실한 경우, 기다리지 말고 즉시 교체하십시오.
- 이 제품은 산업용 조립 환경에서 자격을 갖춘 담당자만 설치, 작동 및 수리할 수 있습니다.

용도

이 제품은 목재, 금속 또는 플라스틱에서 나사산이 있는 패스너의 설치 및 제거 용도로 제작되었습니다. 실내에서만 사용해야 합니다.

다른 용도는 허용되지 않습니다.

제조업체가 본래 제공한 부품 이외의 예비 부품 또는 부속품을 사용할 경우 성능이 저하되고 유지보수 횟수 및 진동 수준이 증가되어, 그러한 결과로서 해당 제품이 제조업체의 책임 보험 대상에서 완전히 제외될 수 있습니다.

제품별 설명

제품 설명

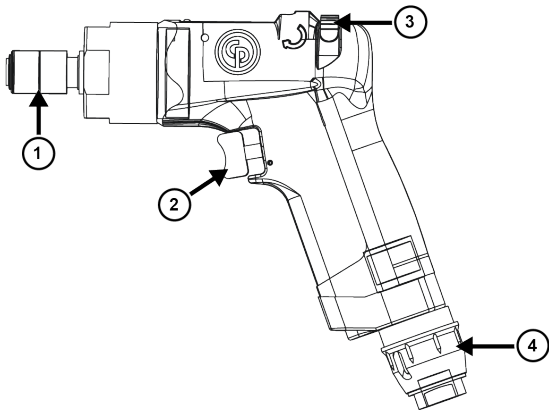


그림 12: CP2810 / CP2811 / CP2812

항목	설명
1	퀵 체인지 척
2	트리거
3	역방향 설정 버튼
4	조절식 배기

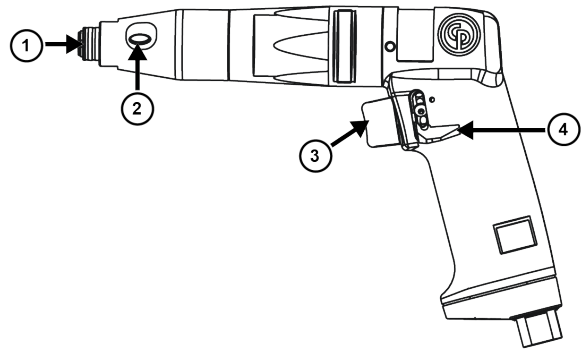


그림 13: CP2814

항목	설명
1	퀵 체인지 척
2	토크 조정 액세스
3	트리거
4	역방향 설정 버튼

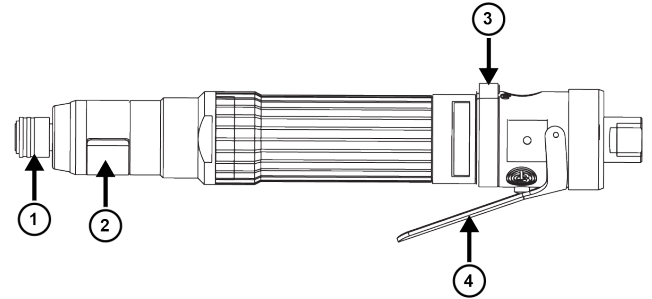


그림 14: CP2822 / CP2824

항목	설명
1	퀵 체인지 척
2	토크 조정 액세스
3	역방향 설정 버튼
4	트리거

공구 설치

1. 공구에 제대로 부속품을 고정하세요.
2. Air diagram [페이지 4] 섹션에 표시된 대로 공구를 연결하십시오.

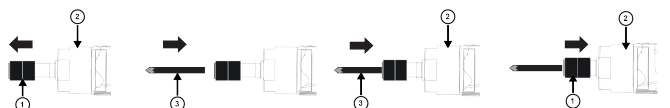
공구 시동

⚠ 경고 작업에 따른 위험

공구를 시동하기 전에 공압 공급 장치에 올바르게 연결되어 있는지 확인해 주세요.

- 공압 연결을 점검해 주세요.
- 공기 다이어그램을 참조해 주세요.

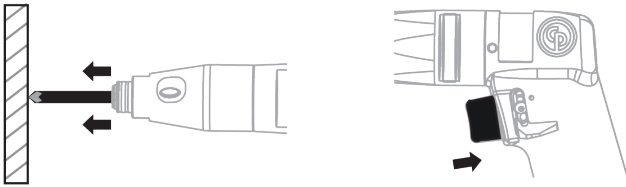
비트 설치



1. 공구(2)에서 킥 체인지 척(1)을 당겨주세요.
2. 비트(3)를 배치하세요.
3. 비트(3)를 공구에 끼워주세요.
4. 킥 체인지 척(1)을 공구(2)에 밀어주세요.
5. 킥 체인지 척(1)이 제대로 설치되었는지 확인해 주세요.

트리거를 누릅니다

For CP2810 / CP2811 / CP2812 / CP2814의 경우



푸쉬 투 스타트 공구를 작동하는 방법:

1. 공구를 작업물에 작동 중일 때 비트에 압력을 가하십시오.
2. 공구의 트리거를 누릅니다.

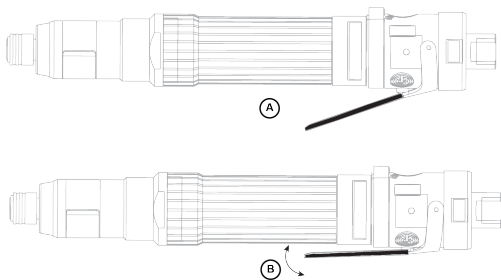
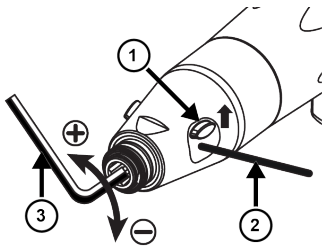


그림 15: CP2822 / CP2824

A	트리거 꺼짐
B	트리거 켜짐

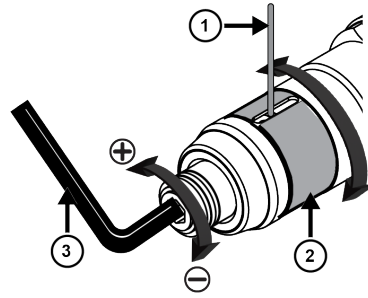
토크 조정

CP2812 / CP2814의 경우



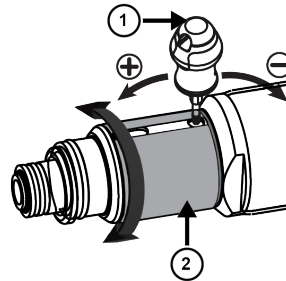
1. 토크 조정 액세스 커버(1)를 위로 밀어주세요.
2. 스템(2)을 끼워주세요.
3. 6.35mm 크기의 앨런 키(3)를 삽입하여 토크를 조정할 수 있습니다.
4. 토크 조정 액세스 커버(1)를 아래로 밀어주세요.

CP2822의 경우



1. 토크 조정 액세스 커버(2)를 돌려 슬롯에 접근하세요.
2. 스템(1)을 끼워주세요.
3. 6.35mm 크기의 앨런 키(3)를 삽입하여 토크를 조정할 수 있습니다.
4. 토크 조정 액세스 커버(2)를 원래 위치로 돌려주세요.

CP2824의 경우



1. 토크 조정 액세스 커버(2)를 돌려 슬롯에 접근하세요.
2. 클러치 설정 드라이버(1)를 삽입하여 토크를 조정할 수 있습니다.
3. 토크 조정 액세스 커버(2)를 원래 위치로 돌려주세요.

일반 안전 지침

공기 공급 및 연결의 위험

- 절대 공기를 자신이나 다른 사람에게 향하게 하지 마십시오.
- 사용하지 않거나, 부속품을 교체하거나 수리 시에는, 항상 공기 공급 장치를 닫은 다음 호스의 공기 압력을 제거하고 나서 공구를 공기 공급 장치로부터 분리합니다.
- 절대로 공기가 자신이나 다른 사람을 향하도록 하지 마십시오.
- 공기를 뿜으며 움직이는 호스는 중상을 초래할 수 있습니다. 호스와 피팅이 느슨하거나 손상되지 않았는지 항상 점검합니다.
- 킥 디스커넥트 커플링을 공기에 사용하지 마십시오. 올바른 설치에 대한 설명을 보십시오.
- 범용 트위스트 커플링의 사용시 반드시 잠금 핀을 설치해야 합니다.
- 최대 공기 압력인 6.3 bar/90 psig 혹은 공구 명판의 한도를 초과하지 마십시오.

업힘에 의한 위험

- 회전하는 드라이브에 가까이 가지 마십시오. 느슨한 의복, 장갑, 보석류, 넥타이 종류 및 머리카락을 공구 및 부속품으로부터 멀리하지 않으면 질식, 두피 손상 및/또는 열상이 발생할 수 있습니다.
- 회전하는 드라이브에 장갑이 엉킬 수 있으며 이는 손가락 상해 또는 파열을 야기할 수 있습니다.
- 회전하는 드라이브 소켓과 드라이브 연장부는 고무 코팅 장갑 또는 금속 보강 장갑이 쉽게 엉킬 수 있습니다.
- 늘어진 장갑 또는 손가락 부위가 없거나 닳아 빠진 장갑을 착용하지 마십시오.
- 드라이브, 소켓 또는 드라이브 연장부를 절대 손으로 잡지 마십시오.

투사물의 위험

- 작업을 하거나 근처에 있을 경우, 공구의 수리나 유지보수 시 혹은 공구의 부속품 교체 시에는, 항상 내충격 눈 및 안면 보호 장비를 착용합니다.
- 작업 영역에 있는 모든 사람들이 내충격 눈 및 안면 보호 장비를 착용하도록 합니다. 작은 투사물이라도 눈을 상하게 하거나 실명을 초래할 수 있습니다.
- 패스너 토크가 과다하거나 미달되는 경우 증상을 초래할 수 있으며, 이로써 부서짐, 느슨함 또는 분리가 발생할 수 있습니다. 빠진 조립물이 튕겨져 나올 수 있습니다. 특정한 토크를 필요로 하는 조립은 토크 미터를 사용하여 점검해야 합니다.
- 참고 소위 말하는 “클릭” 토크 렌치는 위험할 수 있는 과다 토크 상태를 점검하지 못합니다.
- 핸드 소켓을 사용하지 마십시오. 상태가 양호한 파워 또는 임팩트 소켓만 사용하십시오.
- 작업물이 확실히 고정되어 있는지 확인하십시오.

작업에 따른 위험

- 스크류드라이버 비트나 소켓의 취급 또는 공구의 해체 전에는 공기 공급을 먼저 차단하십시오.
- 작업자와 유지보수 인원은 이 공구의 부피와 중량 및 힘을 육체적으로 취급할 수 있어야 합니다.
- 공구를 올바르게 잡으십시오. 정상적이거나 갑작스러운 움직임에 대처할 준비를 하십시오. 두 손을 사용할 수 있어야 합니다.
- 클러치를 조절한 직후, 올바르게 작동하는지 점검하십시오.
- 감소된 공기 압력이나 마모된 상태에서는 사용하지 마십시오: 클러치가 작동하지 않아 공구 핸들이 갑자기 회전할 수 있습니다.
- 마지막 조임과 처음 풀음 과정에서 갑작스런 토크의 반작용 영향을 줄이기 위해 항상 스프링 회전과 반대 방향으로 공구의 핸들을 견고하게 지지하십시오.
- 가능하면 서스펜션 암을 사용하여 반응 토크를 흡수하십시오. 서스펜션 암을 사용할 수 없는 경우, 스트레이트 케이스 및 피스톨 그립 공구에는 사이드 핸들, 앵글 너트러너에는 반응 바가 각각 권장됩니다. 어떠한 경우에도 스트레이트 케이스 공구의 경우에는 4 Nm (3 lbf.ft) 이상의 반응 토크, 피스톨 그립 공구의 경우에는 10 Nm (7.5 lbf.ft) 이상의 반응 토크, 앵

글 너트러너의 경우에는 60 Nm (44 lbf.ft) 이상의 반응 토크를 각각 흡수할 수 있는 수단의 사용이 권장됩니다.

- 끝이 열린 크로-푸트 너트러너에 손가락이 들어가면 압착될 수 있습니다.
- 제한된 공간에서 사용하지 마십시오. 특히 나사를 뽑을 때 공구와 작업 대상 사이에 손이 끼지 않도록 주의하십시오.

반복적인 동작의 위험

- 파워 공구를 사용하여 작업 관련 활동을 수행할 때 작업자가 손, 팔, 어깨, 목 또는 기타 신체 부위의 불편감을 경험할 수 있습니다.
- 편안한 자세를 취하되 서 있는 자세를 안정적으로 유지하고 어색하거나 불균형한 자세를 취하지 마십시오. 장시간 작업하는 동안 자세를 바꾸면 불편감과 피로를 해소하는 데 도움이 됩니다.
- 불편감, 통증, 육신거림, 쑤심, 저림, 무감각, 화끈거림 또는 뻣뻣함이 지속되거나 재발되는 등의 증상을 무시하지 마십시오. 이러한 경우, 공구 사용을 중단하고 고용주에게 알린 다음 의사와 상담하십시오.

소음 및 진동 위험

- 소음 수준이 높으면 영구적인 청력 손상 및 이명과 같은 기타 문제를 야기할 수 있습니다. 귀하의 고용주나 직업 건강 및 안전 법규가 권장하는 청력 보호 도구를 사용하십시오.
- 진동에 노출되면 신경 및 손과 팔의 혈액 공급에 심각한 손상을 야기할 수 있습니다. 따뜻한 의복을 착용하고 양손을 따뜻하고 건조하게 유지하십시오. 무감각, 저림, 통증 또는 피부 백화 증상이 발생하면, 공구 사용을 중단하고 고용주에게 알린 다음 의사와 상담하십시오.
- 일반적으로 잡는 힘이 강할수록 진동으로 인한 위험이 커지므로 공구를 잡을 때는 안전하면서도 가볍게 잡으십시오. 가능하면 서스펜션 암을 사용하거나 사이드 핸들을 설치하십시오.
- 불필요한 소음과 진동의 증가를 방지하는 방법
- 지침 매뉴얼에 따라 공구를 운영 및 유지보수하고, 부속품과 소모품을 선택, 유지관리, 교체합니다.
- 마모되거나 결함이 있는 스크류드라이버 비트, 소켓이나 연장부를 사용하지 마십시오.

작업장 위험

- 미끄러짐/걸러 넘어짐/추락은 중상이나 사망의 주요 원인입니다. 걸어나거나 작업하는 장소의 표면에 호스가 남아 있을 수 있으므로 주의합니다.
- 질병(예: 암, 선천적 결손증, 천식 및/또는 피부염)을 유발할 수 있는 작업 과정에서 발생하는 분진 또는 연무의 흡입이나 부스러기의 취급을 피하십시오. 공기 중 입자를 생성하는 재질을 사용하는 작업 시, 분진 추출 장치를 사용하며 호흡 보호구를 착용합니다.
- 톱질, 연삭, 드릴링 및 기타 건축 활동에 의해 생성되는 일부 분진은, 캘리포니아 주에서 정한 암, 태아 기형 또는 기타 생식 관련 손상을 초래하는 것으로 알려진 화학물질을 함유합니다. 이러한 화학물질의 예는 다음과 같습니다.
 - 납 기반 페인트의 납
 - 결정성 실리카로 만든 벽돌, 시멘트 및 기타 석재 제품들.

- 화학 처리된 고무의 비소 및 크롬.

이러한 노출에 따른 위험은 이러한 유형의 작업 빈도에 따라 다릅니다. 이러한 화학물질에 대한 노출 감소 방법: 환기가 잘 된 장소에서 작업하며, 미립자를 여과하도록 특별히 설계된 분진 마스크와 같은 승인 받은 안전 장비를 사용하여 작업.

- 익숙하지 않은 환경에서는 주의해서 진행합니다. 작업 도중 숨겨진 위험이 존재할 수 있습니다. 이 공구는 전원과 접촉 시 절연되지 않습니다.
- 이 공구의 폭발이 가능한 대기에서의 사용은 권장되지 않습니다.

① 휴대용 에어 공구에 관한 추가 안전 정보:

- CAGI 2528 - B186.1, 휴대용 에어 공구의 안전 코드는, <https://global.ihs.com/>에서 글로벌 엔지니어링 문서를 찾아보시거나 전화 +1 800 447-2273로 문의해 주십시오. ANSI 표준의 취득에 어려움이 있으면, <https://www.ansi.org/>를 통해 ANSI에 연락하십시오.

유용한 정보

안전 데이터 시트

안전 데이터 시트는 Chicago Pneumatic가 판매하는 화학 제품을 설명합니다.

자세한 정보는 Chicago Pneumatic 웹사이트 qr.cp.com/sds을 참조하십시오.

원산지 국가

Hungary

웹사이트

제품, 부속품, 예비 부품 및 게시된 사안에 관한 정보는 Chicago Pneumatic 웹 사이트에서 찾을 수 있습니다.

다음 자료 및 웹 사이트를 참조해 주세요. www.cp.com.

저작권

© Copyright 2022, CHICAGO PNEUMATIC Tool Co.LLC, 1815 Clubhouse Road, Rock Hill, SC 29730 - USA

모든 권리 보유. 본 문서의 내용 또는 내용의 일부에 대한 비 승인된 모든 사용 또는 복사 행위는 엄격히 금지됩니다. 이는 특히, 상표, 모델 명칭, 부품 번호 및 도면에 적용됩니다. 승인된 부품만 사용하십시오. 비 인가된 부품을 사용함으로써 인해 발생하는 모든 손상 또는 고장은 보증 또는 생산물 책임 범위에 포함되지 않습니다.

Original instructions
Traduction de la notice originale
Übersetzung der Originalbetriebsanleitung
Traducción de las instrucciones originales
Tradução das instruções originais
Traduzione delle istruzioni originali
Vertaling van oorspronkelijke instructies
Oversættelse af originalvejledning
Oversættelse av originalinstruksjoner.
Käännös alkuperäisistä ohjeista
Μετάφραση πρωτότυπων οδηγιών
Översättning av ursprungliga instruktioner
Перевод оригиналов инструкций
Tłumaczenie oryginalnej instrukcji

Preklad originálnych pokynov
Překlad původních pokynů
Eredeti utasítások fordítása
Prevod izvirnih navodil
Traducerea instrucțiunilor originale
Orijinal talimatların çevirisi
Превод на оригиналните инструкции
Prijevod originalnih uputa
Originaaljuhiste tõlge
Originalių instrukcijų vertimas
Originālo instrukciju tulkojums
原始说明的翻译
使用說明書初出翻譯
원본 설명서의 번역문

ABOUT CHICAGO PNEUMATIC



Since 1901 the Chicago Pneumatic (CP) name has represented reliability and attention to customer needs, with construction, maintenance and production tools and compressors designed for specific industrial applications. Today, CP has a global reach, with local distributors around the world.

Our people start every single day with a passion to research, develop, manufacture and deliver new products that are meant to meet your needs not only today, but tomorrow as well.

TO LEARN MORE, VISIT WWW.CP.COM



To find more information about your tool, scan the QR code or go to m.cp.com

www.cp.com



**Chicago
Pneumatic**