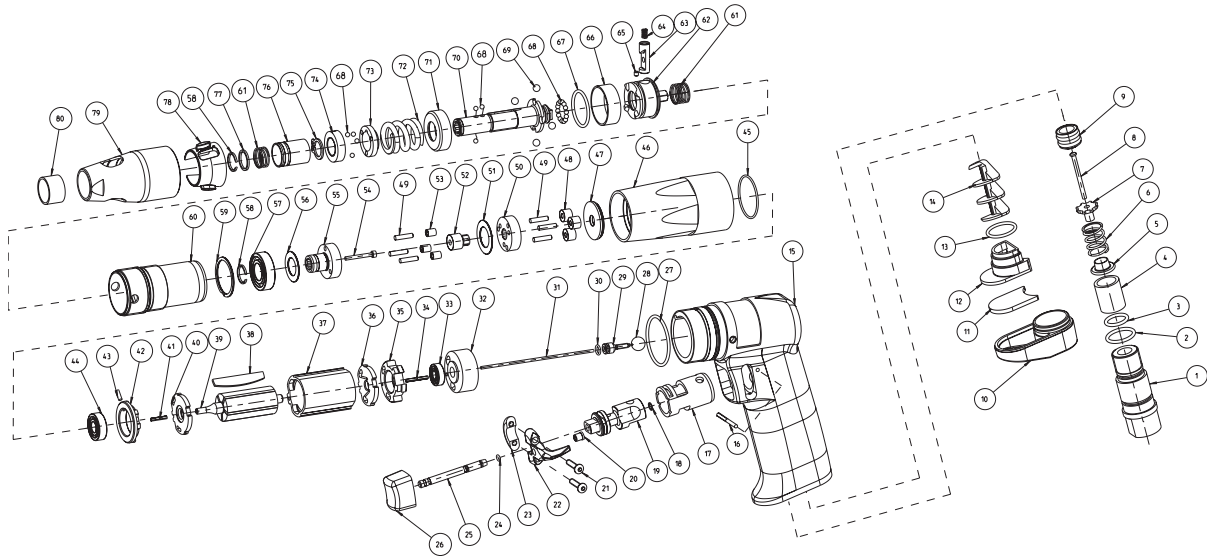




**Chicago  
Pneumatic**

**CP2814  
Model D  
SCREWDRIVER**



Item No.	Part No.	Description	Q'ty
19	2050482023	Reverse Valve	1
32	2050482053	Valve Seat (Shut-Off)	1
37	6154502545	Cylinder	1
38	6154502555	Vanes_Set of 5	1
39	6154502565	Rotor	1
46	6154502575	Gearbox Housing	1
72	6154502585	Spring	1.5 - 4.7 N.m
<b>A</b>	<b>6154502595</b>	<b>Air Inlet Kit</b>	
1		Air Inlet	1
2		O-ring	0,56"x0,07"
3		O-ring	0,5"x0,007"
<b>B</b>	<b>6154502605</b>	<b>Throttle Valve Kit</b>	
4		Spacer	1
5		Air Strainer	1
6		Spring	1
7		Valve	1
8		Stem	1
9		Valve Seat	1
<b>C</b>	<b>6154502615</b>	<b>Exhaust Kit</b>	
10		Exhaust Cap	1
11		Diffuser Element	1
12		Element Retainer	1
13		O-ring	15,2x1,6
14		Exhaust Helix	1
<b>D</b>	<b>6154502625</b>	<b>Trigger Kit</b>	
16		Spring pin	1
18		Circlip	1
24		O-ring	1,78x1,02
25		Shaft	1
26		Button	1
<b>E</b>	<b>6154502635</b>	<b>Reverse Kit</b>	
20		Spring Plunger	1
21		Screw	2
22		Reverse Lever	1
23		Clamp	1
<b>F</b>	<b>6154502645</b>	<b>Shut Off Valve Kit</b>	
28		Valve Ball	1
29		Valve Stem	1
30		O-ring	4x1
31		Push Rod	1
<b>G</b>	<b>6154502655</b>	<b>Motor Housing Kit</b>	
15		Motor Housing	1
17		Valve Sleeve	1
27		O-ring	1
<b>H</b>	<b>6154502665</b>	<b>Rear End Plate Kit</b>	
33		Ball bearing	3/1"x1/2"x5/32"
34		Spring pin	1.5x14
35		Bearing Housing	1
36		End plate	1
<b>I</b>	<b>6154502675</b>	<b>Front End Plate Kit</b>	
40		End plate	1
41		Spring pin	1.5x10
42		Bearing Housing	1
43		Spring pin	2x6
44		Ball bearing	1/4"x5/8"x3/16"

Item	Tightening Torque	Tightening Dir.	Glue /Grease
1 / 15	13,6 N.m	⌚	
21 / 23	1,5 N.m	⌚	
46 / 15	23 N.m	⌚	
60 / 46	22 N.m	⌚	
79 / 46	10 N.m	⌚	

Lubrication	
Gearbox	MOLYKOTE BR2+

Item No.	Part No.	Description	Q'ty
<b>J</b>	<b>6154502685</b>	<b>Gearbox Module</b>	
45		O-ring	1
47		Washer	1
48		Gear	3
49		Needle	6
50		Carrier	1
51		Washer	1
52		Pinion	1
53		Gear	3
54		Pushrod	1
55		Carrier	1
56		Washer	1
57		Bearing	61900-2RSF
58		Locking Ring	1
59		Retaining Ring	1
60		Gear Case	1
<b>K</b>	<b>6154502695</b>	<b>Cam Kit</b>	
62		Clutch cam	1
63		Latch	1
64		Spring	1
65		Roller	1
66		Sleeve	1
67		O-Ring	18,1x1,6
<b>L</b>	<b>6154502705</b>	<b>Clutch Kit</b>	
68		Ball	Ø 2.5 mm
70	6154502715	Spindle	1
71		Ball Cup	1
73		Locking Ring	1
74		Adjusting Ring	1
75		Circlip	1
<b>M</b>	<b>2050480843</b>	<b>Clutch Housing Kit</b>	1
78		Cover	1
79		Clutch Housing	1
80		Plain Bearing	1
<b>N</b>	<b>6154502725</b>	<b>Quick Change Chuck Kit</b>	
68		Ball	Ø 2.5 mm
76		Sleeve	1
61		Spring	1
77		Ring	1
58		Circlip	1
<b>SPK</b>	<b>6154502735</b>	<b>Small Parts Kit (Includes Item # 16, 18, 21 (x2), 34, 41, 43, 58, 61 (x2), 64, 65, 68 (x21), 69 (x4), 75, 77)</b>	
<b>TK</b>	<b>6154502745</b>	<b>Tune up Kit (Includes # 2, 3, 9, 11, 13, 24, 27, 30, 38, 45, 67)</b>	
<b>Accessories</b>			
15	6154502755	Adjustment key	1
16	6154502765	Allen key	1/4"
	6154502775	Suspension bail	1
	6154502785	Spring	0.4 - 2.5 N.m

	6151820061	Safety Instructions
	6158715340	Warning label

Spare parts without part number are not sold separately

High wear parts are underlined.

Contact us at [www.cp.com](http://www.cp.com)