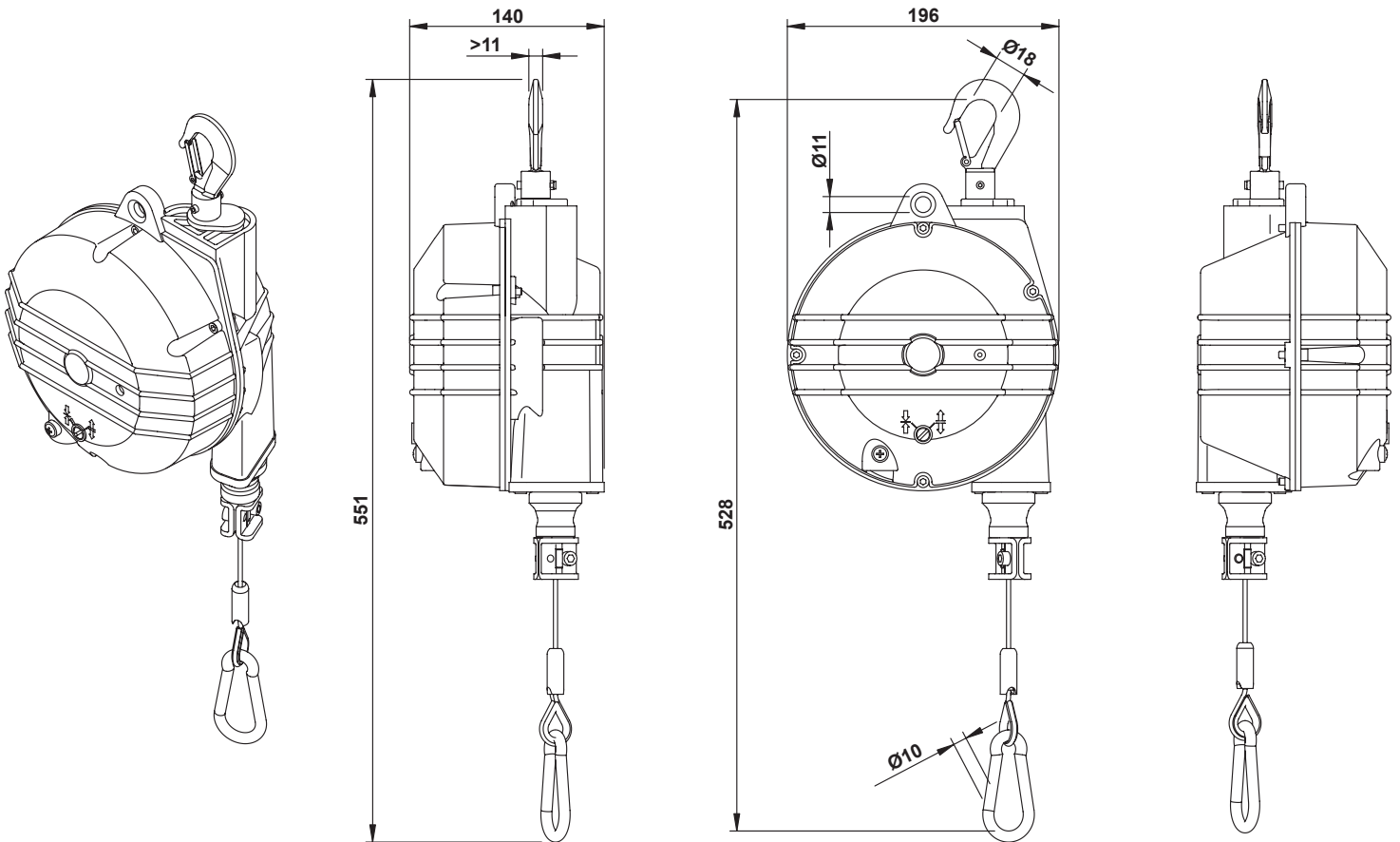


Operator's Manual



Chicago
Pneumatic

CP9954-59 Balancer



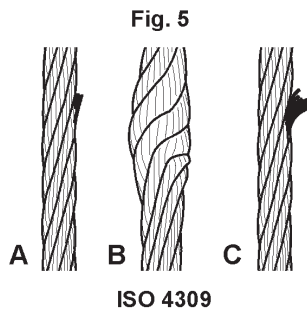
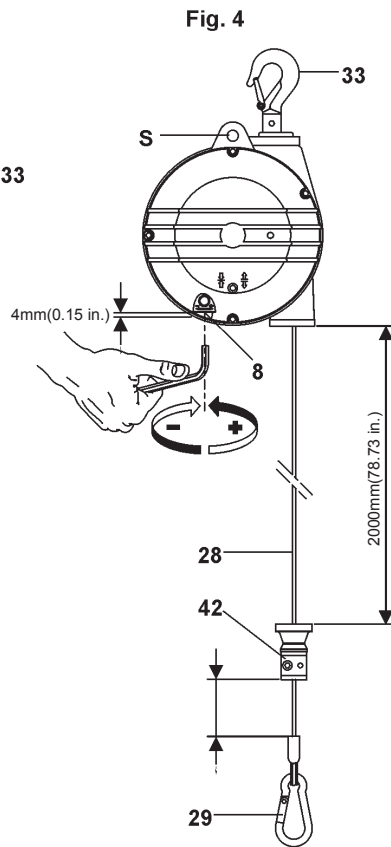
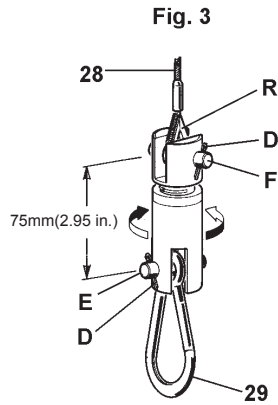
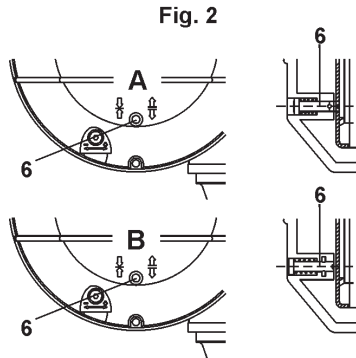
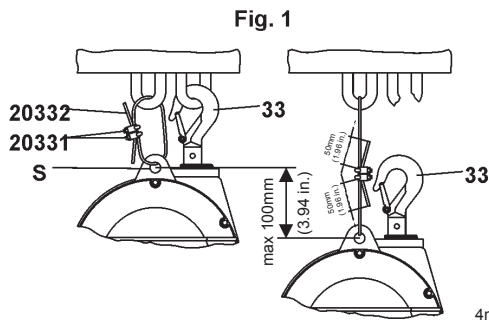
⚠ WARNING

To reduce risk of injury, everyone using, installing, repairing, maintaining, changing accessories on, or working near this tool must read and understand these instructions before performing any such task.

LOCAL SALES AND SERVICE LOCATIONS

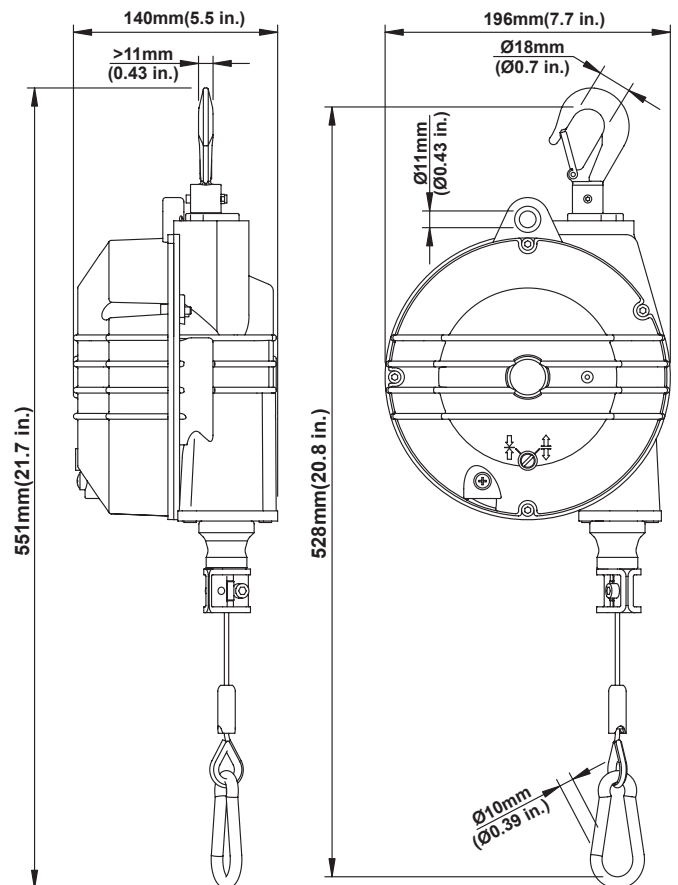
- ⓔ Please find your local contact at: www.cp.com
- ⓔ Busque su contacto local en: www.cp.com
- ⓕ Votre contact local sur : www.cp.com
- ⓓ Per trovare il contatto CP nella vostra zona, visitate: www.cp.com
- Ⓢ Du kan hitta din lokala kontakt på: www.cp.com
- ⓓ Ihren Ansprechpartner finden Sie auch unter: www.cp.com
- Ⓝ Du kan finne din lokale kontakt på: www.cp.com
- Ⓝ U kunt uw plaatselijke contact vinden op: www.cp.com





CP Ref.				
	kg.	lb	kg.	lb
CP9954	4 - 7	8.8 - 15.4	4.94	10.9
CP9955	7 - 10	15.4 - 22	5.30	11.6
CP9956	10 - 14	22 - 30.8	5.67	12.5
CP9957	14 - 18	30.8 - 39.6	6.26	13.8
CP9958	18 - 22	39.6 - 48.5	5.89	13
CP9959	22 - 25	48.5 - 55.1	6.53	14.4

< 70 dBa



Operating & Safety Instructions

Install the balancer before using it. This operation is to be carried out by skilled personnel who must comply with the directions outlined in this manual: a wrong installation could cause injury/damage to people/property.

This manual contains important information that the user must adhere to in order to use the balancer safely. Be sure to have clearly understood all the instructions before using the balancer. Failure to do so could cause injury.

The balancer was built in conformity with European Community Directives that were pertinent and applicable when the balancer was put on the market and that entail the CE marking of the product.

Intended conditions of use

The balancers are designed to balance the weight of tools and utensils in general and are to be used by one operator at a time. The balancer may be used in an assembly line, in single workplaces, in professional environments. For professional use only.

Always operate, inspect and maintain this balancer in perfect working order in accordance with all regulations pertinent to balancers, tools and workplaces.

Use contraindications

Do not use the balancer in environments with potentially explosive atmospheres.

Do not permit children or people under age to use the balancer.

Do not work, transit or linger underneath the balancer.

When using balancers, always fully and duly comply with the standards and laws in force in the country in which they are used.

Chicago Pneumatic will not be held liable for any damage or problems caused by customers using these balancers for any other application.

Choosing the balancer

Assess the total load to be balanced: tool, accessories and sections of hoses or cables to be lifted by the balancer. The overall load to be balanced must fall within the balancer's minimum and maximum load-bearing capacity.

Starting up the balancer

Assess the range of the work area and, if need be, hang the balancer on a carriage to be able to use it properly in an area wide enough to carry out the required activities.

If screw fixing devices are used to install the balancer, use self-locking nuts, split-pins or other safety systems.

Always connect the safety suspension S, using exclusively the supplied standard fittings (Fig.1), to a suitably sized support. The safety support MUST NOT BE the same one used for the main suspension 33 (Fig.1). If the main suspension breaks, the max falling distance must not be more than 100 mm. Tighten the nuts of the clamp 20331 (Fig. 1) at a torque of 4 Nm.

To avoid anomalous wear, the load must be applied vertically and in any case the cable must be free to line up with the direction of the load.

Using the balancer

Grip the tool hanging from the balancer and carry out the required operations. Then accompany the tool until it balances, on the vertical line of the balancer, and release it. The load to be balanced must be hung on snap-hook 29 (Fig.4). Ensure that the snap-hook is properly closed after having hung the load.

The cable must never be unwound all the way: its work travel must end at least 100 mm before it reaches the lower limit (balancers CP9954-CP9959 are fitted with an automatic limit stop system).

If need be, move and lock the clamp 42 (Fig.4) to stop the upward stroke.

When using the balancer, always don individual protective gear and closely adhere to the prevailing accident prevention regulations.

It is strictly prohibited to:

- Abandon the load if it is not in a vertical position;
- Swing/throw the hanging load to another operator;
- Move the load by pulling the balancer's cable;
- Hang loads that are not within the upper and lower ranges of the admissible load-bearing capacity;
- Hang more than one tool on the balancer.

The sole risk linked to the use of the balancer consists in any uncontrolled rewinding of the cable. This very dangerous event will be avoided by adhering to the following instructions:

- if you have any doubts concerning the working efficiency of the balancer, **BEFORE** performing any kind of inspection be sure to hold up the hanging tool to prevent it from falling and **UNLOAD THE SPRING COMPLETELY**;
- if for any reason whatsoever the balancer does not rewind the cable, **DO NOT** do anything on your own initiative but contact the customer service at once;
- never release the load if the cable has not been fully wound in the drum;

BALANCER MAINTENANCE

This part of the manual is intended for maintenance personnel ONLY

CERTAIN OPERATIONS OUTLINED IN THIS SECTION ARE VERY DANGEROUS AND COULD INJURE PEOPLE IF PERFORMED BY UNSKILLED PERSONNEL. REFER TO THE OPERATING MANUAL TO INSTALL, ADJUST AND USE THE BALANCER.

Maintenance

The balancer's size is such that it is maintenance-free for its entire work life. However, if it is used under particularly harsh conditions and requires any interventions, ensure that the spring-drum group (27) is discharged before disassembling the balancer. The spring is the balancer's only dangerous component. It is housed inside the drum (27) that is lubricated for life. The spring-drum spare part (27) is supplied complete: **do not remove the spring for any reason whatsoever.**

Do not disassemble the spring group as this is a dangerous operation.

Removing and inspecting the balancer

- Remove the screws (1); raise the cap (11); unwind the cable completely (28);
- Inspect the spring-drum group (27): if the internal spring is broken or the cable guide groove is damaged, replace the whole group. The spring-drum group (27) is supplied assembled, lubricated and complete with bearings. Never open it for any reason whatsoever;
- Check the cable (28): replace it if it has the defects shown in (Fig.5);
- Check the working efficiency of all the shutter kinematics (6 and 13), check the screw (9), which should slide axially and turn, and the working efficiency of the springs (7-8-12).

Balancer assembly:

- Check that the stop (23) is free to move;
- Fit the plate (25) on the end of the cable (28) and lock it in place with the screws (26);
- Wind the cable inside the drum's helical slots (27) paying attention to insert it into the stop (23) and assemble;

- should you find the balancer with the cable unwound and no load applied to it, **DO NOT** do anything on your own initiative but contact customer service at once.

Adjusting the balancer

To enable the balancer to balance heavier loads, use the specific key to turn screw 9 (Fig. 4) in the direction indicated by symbol "+". For lighter loads, turn screw 9 (Fig. 4) in the direction indicated by symbol "-".

After having adjusted the load, check that the cable slides freely for its entire length: the movement must not be restricted when the spring has wound all the way. Check the stroke often and at different speeds.

NOTE: should the balancer's capacity of supporting a hanging load decrease, this could mean that the spring of the drum is about to break. DO NOT MODIFY BALANCER ADJUSTMENT TO MAKE IT HOLD UP THE LOAD IN ALL CASES BUT CONTACT SKILLED PERSONNEL IN CHARGE OF MAINTENANCE AT ONCE.

Safety devices

Drum spring breakage

The balancer is fitted with a safety device that trips when the drum spring breaks and stops the balancer to prevent the hanging load from falling.

If the hanging tool cannot be lifted or lowered through ordinary strain, **DO NOT INSIST but contact customer service.**

NOTE: the balancer stops even if the drum spring is fully discharged: in this condition the head of the charge screw 9 (Fig.4) protrudes approximately 4 mm outside the cap. To restore operating conditions, try to charge the spring as outlined in paragraph "Balancer adjustment". If the balancer does not release, DO NOT do anything and contact customer service.

Manual lock

The balancer is fitted with a manual locking system (Fig.2): push and turn the pin 6 (Fig.2) by 90° (position A) to lock drum rotation; push and turn the pin 6 (Fig.2) by 90° (position B) to operate as usual.

WARNING: do not leave the balancer with the drum locked and no hanging loads.

WARNING: if the balancer's cable is not fully wound, and no load is applied to it, DO NOT do anything but contact the customer service at once.

OPTION "RI", insulated rotary suspension (Fig.3)

Permits to insulate the load hung on the balancer and/or turn the hanging tool freely without twisting the cable.

WARNING: always comply with the safety regulations when using electrical appliances.

Installation: insert the snap-hook (29) into the pin E of the rotary suspension. Insert the cable's thimble (28) into the pin F; insert the split-pin (D) and deform it.

INSPECTIONS AND MAINTENANCE

Maintenance may be carried out only by skilled and authorized personnel.

- The user must visually inspect the balancer on a regular basis (such as, for instance, at each work shift) especially to check the state of suspensions (33) and S (Fig. 1), the fixing screws and the self-locking systems (if used), and the condition of the hooks and cable.

Should the cable have the defects shown in Fig.5, replace it immediately.

Do not make any modification to the cable unit and, specifically, **DO NOT SHORTEN** the cable: if need, please get in touch with Chicago Pneumatic.

- check that the cable's movement is smooth and that it does not make any strange noises;
- do not lubricate the balancer with flammable or volatile fluids;
- do not remove any labels. Replace any damaged labels;
- **the balancer must be inspected at least once a year by skilled, authorized personnel.**

Never disassemble the balancer. Maintenance is to be carried out only by skilled, authorized personnel.

The balancer must be disposed of complying with prevailing rules and regulations at the end of its work life.

Warranty

The use of non original Chicago Pneumatic spare parts will negatively affect safety and performance and will, in any case, **void the warranty.**

- Fit the cap (11) on the shaft (22), couple it to the cap (38) and close carefully.

Tighten the screws (1) with a torque of 3 Nm;

- Once done, charge the spring of the group (27) with the screw (9), until the screw head (11) re-enters the cap 11 (Fig. 4);

- Install the balancer adhering to the directions supplied in the "Balancer operating manual".

Spring drum breakage

- If the balancer is blocked, check that the drum spring is not discharged (condition that blocks the balancer as if the spring were broken). If you are unable to charge the balancer by adhering to the procedure described in paragraph "Balancer adjustment", **this means that the drum spring is probably broken.**

WARNING: ensure that the spring is charged before carrying out any type of check.

WARNING - DANGER: DO NOT open the drum and/or attempt to replace the spring for any reason whatsoever. This operation is extremely dangerous and could seriously injure anyone.

WARNING - DANGER: dispose of the drum containing the broken spring in compliance with prevailing regulations. DO NOT dump it together with other waste or scrap since opening it, even accidentally, is VERY DANGEROUS and could seriously injure anyone.

Use original Chicago Pneumatic spare parts only. When requesting spare parts, the Customer should kindly contact the supplier of the balancer, or the manufacturer directly, specifying the machine's identification data printed on the plate.

Instrucciones de operación y seguridad

El equilibrador debe ser instalado antes del uso. Esta operación debe ser realizada por personas expertas, en observancia de las instrucciones contenidas en este manual: una instalación incorrecta puede causar daños a personas y objetos. Este manual contiene importante información para utilizar el aparato en condiciones de seguridad. Cerciórese de haber comprendido bien todas las instrucciones antes de utilizar el equilibrador. La inobservancia de estas advertencias puede causar lesiones. El equilibrador ha sido realizado en conformidad con las Directivas Comunitarias pertinentes y aplicables en el momento de su lanzamiento en el mercado, que prevén la marca CE del producto.

Uso previsto

Los equilibradores están proyectados para equilibrar el peso de herramientas y equipo en general, y deben ser utilizados por un solo operador por vez. El equilibrador puede ser utilizado en cadenas de montaje y puestos de trabajo individuales, en ambientes profesionales. Reservado para un uso profesional.

Es necesario utilizar, controlar y conservar el equilibrador en perfectas condiciones, en conformidad con todas las normas relativas a los equilibradores, herramientas y puestos de trabajo.

Contraindicaciones de uso

No utilice el equilibrador en ambientes con atmósfera potencialmente explosiva.

No permita que el equilibrador sea utilizado por menores.

No trabaje, transite ni permanezca debajo del equilibrador.

Utilice los equilibradores respetando siempre las normas y las leyes locales en vigor.

La empresa Chicago Pneumatic no es responsable ante aquellos clientes que utilicen estos equilibradores para otras aplicaciones.

Elección del equilibrador

Evalúe la carga total a equilibrar: herramienta, accesorios y partes de los tubos o cables sostenidos por el equilibrador. La carga total a equilibrar debe estar comprendida entre la capacidad mínima y máxima del equilibrador.

Puesta en funcionamiento del equilibrador

Evalúe la extensión del área de trabajo y, si es oportuno, cuelgue el equilibrador de un carro para permitir el correcto uso en una zona de amplitud adecuada a la actividad a realizar.

Si para la instalación se utilizan dispositivos de fijación con tornillos, se deben utilizar tuercas autoblocantes, chavetas u otros sistemas de seguridad.

Fije siempre la suspensión de seguridad S a un soporte adecuadamente dimensionado, utilizando exclusivamente los accesorios suministrados (Fig. 1). El soporte de seguridad NO DEBE SER el mismo usado para la suspensión principal 33 (Fig. 1). La máxima caída en caso de rotura de la suspensión principal no debe superar los 100 mm. Apriete las tuercas de las abrazaderas 20331 (Fig. 1) con un par de 4 Nm. Para evitar desgastes anómalos, la carga se debe aplicar verticalmente y el cable debe poder alinearse libremente con la dirección de la carga.

Uso del equilibrador

Empuñe la herramienta colgada del equilibrador y realice las operaciones requeridas; a continuación, acompañe la herramienta hasta una posición de equilibrio, sobre la vertical del equilibrador, y suéltela.

La carga a equilibrar se debe enganchar en el mosquetón 29 (Fig. 4). Verifique que, después de la aplicación de la carga, el mosquetón quede cerrado.

El desenrollamiento del cable jamás debe ser completo: la carrera de funcionamiento debe terminar al menos 100 mm antes del límite inferior (los equilibradores CP9954-CP9959 están dotados de un sistema automático de tope de final de carrera).

Si es necesario, desplace y fije la abrazadera 42 (Fig. 4) para limitar el recorrido hacia arriba. Durante el uso del equilibrador, utilice siempre los dispositivos de protección previstos y atégase a las normas para la prevención de accidentes en vigor.

Se debe evitar absolutamente:

- abandonar la carga en posición no vertical;
- lanzar la carga suspendida a otro operador;
- desplazar la carga tirando del cable del equilibrador;
- colgar cargas no comprendidas entre los límites superior e inferior de la capacidad admitida;
- colgar más de una herramienta en el equilibrador.

El único riesgo vinculado al uso del equilibrador consiste en el eventual enrollamiento incontrolado del cable; para evitar este evento, extremadamente peligroso, atégase a las siguientes disposiciones:

- en caso de dudas sobre el correcto funcionamiento del equilibrador, antes de realizar cualquier control, sostenga la herramienta suspendida para impedir su caída y DESCARGUE COMPLETAMENTE EL MUELLE;
- si por cualquier motivo el cable no es enrollado por el equilibrador, NO intervenga y

contacte inmediatamente con el servicio de asistencia;

- jamás desenganche la carga si el cable no está completamente enrollado en el tambor;
- si el cable está desenrollado y no hay ninguna carga aplicada, NO intervenga y contacte inmediatamente con el servicio de asistencia.

Regulación del equilibrador

Para equilibrar cargas mayores, gire con la llave correspondiente el tornillo 9 (Fig. 4) en el sentido indicado por el signo "+". Para equilibrar cargas más ligeras, gire con la llave correspondiente el tornillo 9 (Fig. 4) en el sentido indicado por el signo "-". Después de regular la carga, verifique que el cable pueda deslizarse libremente en toda su longitud: el movimiento no debe estar limitado por el completo enrollamiento del muelle. Verifique varias veces el recorrido a diferentes velocidades.

NOTA: Una reducción de la capacidad del equilibrador de soportar la carga suspendida puede significar que el muelle del tambor se está rompiendo. NO MODIFIQUE LA REGULACIÓN DEL EQUILIBRADOR PARA SOPORTAR LA CARGA. DIRÍJASE INMEDIATAMENTE A PERSONAL ESPECIALIZADO AUTORIZADO PARA LAS OPERACIONES DE MANTENIMIENTO.

Dispositivos de seguridad

Rotura del muelle del tambor

El equilibrador está dotado de un dispositivo de seguridad que actúa en caso de rotura del muelle del tambor y bloquea su funcionamiento, impidiendo la caída de la carga suspendida. Si es imposible hacer bajar o subir la herramienta suspendida con un esfuerzo normal, **NO realice ninguna operación y contacte con el servicio de asistencia.**

NOTAS: El equilibrador también se bloquea si el muelle del tambor está completamente descargado. En este caso, la cabeza del tornillo de carga 9 (Fig. 4) sobresale aproximadamente 4 mm del capuchón; para restablecer el funcionamiento, gire el muelle tal como se describe en el párrafo "Regulación del equilibrador"; si el equilibrador no se desbloquea, NO intervenga y contacte con el servicio de asistencia.

Bloqueo manual

El equilibrador está dotado de un sistema de bloqueo manual (Fig. 2): empuje y gire 90° el perno 6 (Fig. 2) hasta alcanzar la posición A para bloquear la rotación del tambor; empuje y gire 90° el perno 6 (Fig. 2) hasta alcanzar la posición B para permitir el funcionamiento normal.

ATENCIÓN: No deje el equilibrador con el tambor bloqueado sin ninguna carga suspendida.

ATENCIÓN: Si encuentra el equilibrador con el cable bobinado en forma incompleta y sin carga, NO intervenga y contacte inmediatamente con el servicio de asistencia.

OPCIÓN "RI", suspensión giratoria aislada (Fig. 3)

Permite aislar eléctricamente la carga suspendida en el equilibrador y/o girar libremente la herramienta suspendida sin retorcer el cable.

ATENCIÓN: Respete siempre las normas de seguridad para el uso de aparatos eléctricos.

Instalación: Introduzca el mosquetón(29) en el perno E de la suspensión giratoria; introduzca el guardacabo del cable (28) en el perno F; introduzca la chaveta (D) y defórmla.

INSPECCIONES Y MANTENIMIENTO

El mantenimiento puede ser realizado exclusivamente por personal especializado y autorizado.

- El equilibrador debe ser sometido periódicamente a inspección visual (por ejemplo, una vez por turno de trabajo), en particular para verificar el estado de las suspensiones (33) y S (Fig. 1), los tornillos de fijación y los sistemas autoblocantes (si están presentes), así como las condiciones de los ganchos y del cable.

Si el cable presenta los defectos que se muestran en la Fig. 5, debe ser sustituido inmediatamente.

No realice ninguna modificación en el cable; en particular, **NO ACORTE el cable:** si es necesario, contacte con Chicago Pneumatic.

- Verifique que el movimiento del cable sea suave y sin ruidos anómalos;
- No lubrique el equilibrador con líquidos inflamables o volátiles;
- No quite ninguna etiqueta. Haga sustituir las placas eventualmente deterioradas;
- **Al menos una vez por año el equilibrador debe ser inspeccionado por personal especializado y autorizado.**

Jamás desmonte el equilibrador. El mantenimiento debe ser realizado exclusivamente por personal especializado y autorizado.

Al final de su vida útil, el equilibrador debe ser eliminado en observancia de la normativa vigente.

Garantía

El uso de repuestos no originales Chicago Pneumatic influye negativamente sobre la seguridad y las prestaciones, además de provocar la caducidad de la garantía.

MANTENIMIENTO DEL EQUILIBRADOR

Sección destinada EXCLUSIVAMENTE al personal de mantenimiento

ALGUNAS DE LAS OPERACIONES DESCRITAS EN ESTA SECCIÓN SON MUY PELIGROSAS Y PUEDEN PROVOCAR DAÑOS A LAS PERSONAS SI SON REALIZADAS POR PERSONAL NO ENTRENADO.

PARA INSTALAR, REGULAR Y UTILIZAR EL EQUILIBRADOR, REMÍTASE AL MANUAL DE USO.

Mantenimiento

Las dimensiones del equilibrador están calculadas para que éste no requiera mantenimiento alguno durante toda su vida útil. Si a causa de un uso particularmente intenso se deben realizar intervenciones, **antes de desmontar el equilibrador, verifique que el muelle del tambor (27) esté descargado.**

El muelle es el único componente peligroso del equilibrador. Se encuentra dentro del tambor (27) y posee lubricación permanente. El repuesto muelle-tambor (27) se suministra completo: **el muelle no debe ser extraído para ningún motivo.**

No desmonte el grupo muelle, ya que esta operación es sumamente peligrosa. Desmontaje e inspección del equilibrador

- Quite los tornillos (1); levante el capuchón (11); desenrolle completamente el cable (28);

- Inspeccione el grupo muelle-tambor (27): si el muelle interior está roto o si la estría guía cable está dañada, el grupo debe ser sustituido íntegramente. El grupo muelle-tambor (27) se suministra ensamblado, lubricado y con cojinetes, y no debe ser abierto por ningún motivo.

- Controle el cable (28): si presenta los defectos que se muestran en la (Fig. 5), debe ser sustituido.

- Verifique el correcto funcionamiento de todos los mecanismos obturadores (6 y 13), controle el tornillo (9), que se debe deslizar axialmente y girar, y verifique la eficiencia de los muelles (7-8-12).

Montaje del equilibrador:

- Verifique el libre movimiento del tope (23).

- Coloque la plaqueta (25) en el terminal del cable (28) y bloquéela con los tornillos (26).

- Envuelva el cable en las ranuras helicoidales del tambor (27), insertándolo en el tope (23), y proceda al montaje.

- Coloque el capuchón (11) en el eje (22), acople al capuchón (38) y cierre cuidadosamente; los tornillos (1) se deben apretar con un par de 3 Nm.

- Una vez realizado el montaje, cargue el muelle del grupo (27) con el tornillo (9), hasta que la cabeza del tornillo (9) entre en el capuchón 11 (Fig. 4).

- Instale el equilibrador siguiendo las instrucciones indicadas en el "Manual de uso del equilibrador".

Rotura del muelle del tambor

- Si el equilibrador queda bloqueado, verifique que el muelle del tambor no esté completamente descargado (condición que provoca el bloqueo, como si el muelle estuviese roto); si no es posible cargar el equilibrador siguiendo el procedimiento descrito en el párrafo "Regulación del equilibrador", **significa que probablemente el muelle del tambor está roto.**

ATENCIÓN: Antes de realizar cualquier control, verifique que el muelle esté efectivamente descargado.

ATENCIÓN - PELIGRO: Jamás abra el tambor ni intente sustituir el muelle. Esta operación es extremadamente peligrosa y puede provocar graves lesiones.

ATENCIÓN - PELIGRO: Elimine el tambor con el muelle roto en observancia de la normativa vigente; NO lo abandone ni lo elimine junto a otros residuos, ya que su apertura —incluso accidental— es MUY PELIGROSA y puede provocar graves lesiones.

Utilice sólo repuestos originales Chicago Pneumatic Para solicitar piezas de repuesto, se ruega dirigirse al proveedor del aparato o directamente al fabricante, especificando los datos identificativos de la máquina presentes en la placa.

Instructions d'utilisation et de sécurité

L'équilibreur doit être installé avant d'être utilisé. Cette opération doit être effectuée par des personnes qualifiées, en respectant les instructions contenues dans ce manuel: une mauvaise installation peut causer des dommages aux personnes et/ou aux choses. Ce manuel contient des informations importantes permettant d'utiliser l'appareil en sécurité. S'assurer d'avoir compris toutes les instructions avant d'utiliser l'équilibreur. Le non-respect de ces consignes peut causer des blessures.

L'équilibreur a été réalisé conformément aux Directives Communautaires pertinentes et applicables au moment où il a été mis sur le marché, prévoyant le marquage CE du produit.

Usage prévu

Les équilibreurs sont conçus pour équilibrer le poids d'outils et d'accessoires en général et doivent être utilisés par un seul opérateur à la fois. L'équilibreur peut être utilisé en chaîne de montage et sur des postes de travail individuels, dans des locaux professionnels.

Pour usage professionnel uniquement.

Il est nécessaire d'utiliser, de contrôler et de conserver en parfait état de fonctionnement l'équilibreur, conformément à toute norme relative aux équilibreurs, aux outils et aux postes de travail.

Contre-indications d'utilisation

Ne pas utiliser l'équilibreur dans des lieux présentant une atmosphère potentiellement explosive.

Ne pas permettre l'utilisation de l'équilibreur par des mineurs.

Ne pas travailler, passer ou stationner sous l'équilibreur.

Utiliser les équilibreurs en respectant les normes et les lois locales en vigueur.

La société Chicago Pneumatic n'est pas responsable envers les clients qui utilisent ces équilibreurs pour d'autres applications.

Choix de l'équilibreur

Évaluer la charge globale à équilibrer: outil, accessoires et parties des tuyaux ou des câbles soutenus par l'équilibreur. La charge globale à équilibrer doit être comprise entre la capacité minimale et la capacité maximale de l'équilibreur.

Mise en service de l'équilibreur

Évaluer l'étendue de la zone de travail et, s'il y a lieu, suspendre l'équilibreur à un chariot afin de pouvoir l'utiliser correctement dans une zone dont l'étendue est adaptée à l'action à accomplir.

Si l'on utilise des dispositifs de fixation à vis pour l'installation, il est nécessaire d'utiliser des écrous autobloquants, des goupilles ou d'autres systèmes de sécurité.

Relier toujours la suspension de sécurité S en utilisant uniquement les accessoires fournis avec l'équilibreur (Fig. 1), à un support bien dimensionné. Le support de sécurité NE DOIT PAS ÊTRE le même que celui utilisé pour la suspension principale 33 (Fig. 1). La chute maximale en cas de rupture de la suspension ne doit pas être de plus de 100 mm. Serrer les écrous des serrages 20331 (Fig. 1) au couple de 4 Nm.

Pour éviter toute usure anormale, la charge doit être appliquée verticalement et, en tout cas, le câble doit être libre de s'aligner sur la direction de la charge.

Utilisation de l'équilibreur

Empoigner l'outil suspendu à l'équilibreur et effectuer les opérations nécessaires; puis accompagner l'outil dans une position d'équilibre, sur la verticale de l'équilibreur, et le relâcher.

La charge à équilibrer doit être suspendue au mousqueton 29 (Fig. 4). Une fois la charge appliquée, s'assurer que le mousqueton est fermé.

Le déroulement du câble ne doit jamais être total: la course de travail doit se terminer au moins 100 mm avant la limite inférieure de la course (les équilibreurs CP9954-CP9959 sont dotés d'un système automatique d'arrêt en fin de course).

Si nécessaire, déplacer et bloquer le serrage 42 Fig. 4 pour limiter la course vers le haut.

Pendant l'utilisation de l'équilibreur, porter toujours des protections contre les accidents et suivre les normes de sécurité en vigueur.

Éviter absolument de:

- Abandonner la charge en position non verticale;
- Lancer la charge suspendue à un autre opérateur;
- Déplacer la charge en tirant le câble de l'équilibreur;
- Suspendre des charges non comprises entre les limites supérieure et inférieure de la capacité admise;
- Suspendre plus d'un outil à l'équilibreur.

Le seul risque lié à l'utilisation de l'équilibreur consiste en l'éventuel réenroulement incontrôlé du câble; pour éviter cet événement, extrêmement dangereux, suivre les dispositions suivantes:

- en cas de doutes sur le bon fonctionnement de l'équilibreur, AVANT d'effectuer tout contrôle, soutenir l'outil suspendu pour l'empêcher de tomber et DECHARGER COMPLETEMENT LE RESSORT;
- si, pour quelque raison que ce soit, le câble n'est pas réenroulé par l'équilibreur, NE PAS intervenir et contacter immédiatement le service d'assistance;
- ne jamais décrocher la charge si le câble n'est pas complètement enroulé sur le tambour;

ENTRETIEN DE L'ÉQUILIBREUR

Section destinée UNIQUEMENT au personnel d'entretien

CERTAINES OPERATIONS DECRITES DANS CETTE SECTION SONT TRES DANGEREUSES ET PEUVENT CAUSER DES DOMMAGES AUX PERSONNES SI ELLES SONT EFFECTUEES PAR DU PERSONNEL NON FORME.

POUR INSTALLER, REGLER ET UTILISER L'ÉQUILIBREUR, SE REPORTER AU MANUEL D'UTILISATION.

Entretien

L'équilibreur est dimensionné de telle sorte qu'il ne nécessite aucun entretien pendant toute sa vie utile. Cependant, si une utilisation très sévère nécessite des interventions, avant de s'approprier à désassembler l'équilibreur, s'assurer que l'ensemble ressort-tambour (27) est démonté.

Le ressort est le seul composant dangereux de l'équilibreur. Il est contenu dans le tambour (27) et est lubrifié à vie. La pièce détachée ressort-tambour (27) est fournie complète: le ressort ne doit jamais être enlevé, pour quelque raison que ce soit.

Ne pas désassembler l'ensemble ressort car cette opération est dangereuse.

Démontage et inspection de l'équilibreur

- Enlever les vis (1); soulever la calotte (11); dérouler complètement le câble (28);
- Examiner l'ensemble ressort-tambour (27): si le ressort intérieur est cassé, si la rainure de guidage du câble est abîmée, il faut le remplacer entièrement.
- L'ensemble ressort-tambour (27) est fourni assemblé, lubrifié et doté de roulements, et ne doit en aucun cas être ouvert;
- Contrôler le câble (28): s'il présente les défauts montrés sur la (Fig. 5), le remplacer;
- Vérifier le bon fonctionnement de tous les organes de transmission des obturateurs (6 et 13), contrôler la vis (9) qui doit coulisser axialement et tourner, vérifier l'efficacité des ressorts (7-8-12).

Montage de l'équilibreur:

- Vérifier le mouvement libre de l'arrêt (23);
- Placer la plaque (25) sur l'embout du câble (28) et la bloquer avec la vis (26)
- Enrouler le câble dans les gorges hélicoïdales du tambour (27) en veillant à l'introduire dans l'arrêt (23) et procéder au montage;

- si l'on trouve l'équilibreur avec le câble déroulé et aucune charge appliquée, NE PAS intervenir et contacter immédiatement le service d'assistance.

Réglage de l'équilibreur

Pour permettre à l'équilibreur d'équilibrer des charges plus grandes, tourner, avec la clé prévue à cet effet, la vis 9 (Fig. 4) dans le sens indiqué par le signe "+". Pour des charges plus légères, tourner, avec la clé prévue à cet effet, la vis 9 (Fig. 4) dans le sens indiqué par le signe "-".

Après le réglage de la charge, vérifier que le câble peut glisser librement sur toute sa longueur: le mouvement ne doit pas être limité par l'enroulement total du ressort. Vérifier plusieurs fois la course à différentes vitesses.

NOTE: une réduction de la capacité de l'équilibreur à supporter la charge suspendue peut signifier que le ressort du tambour est en train de casser. NE PAS MODIFIER LE REGLAGE DE L'ÉQUILIBREUR POUR SUPPORTER QUAND MEME LA CHARGE, MAIS CONSULTER IMMÉDIATEMENT LE PERSONNEL SPECIALISE AUTORISE A L'ENTRETIEN.

Dispositifs de sécurité

Rupture du ressort du tambour

L'équilibreur est équipé d'un dispositif de sécurité qui entre en action en cas de rupture du ressort du tambour et bloque le fonctionnement, empêchant la chute de la charge suspendue. S'il est impossible de faire descendre ou monter l'outil suspendu avec un effort normal, NE PAS intervenir et contacter le service d'assistance.

NOTE: l'équilibreur se bloque même si le ressort du tambour est complètement déchargé: dans cette situation, la tête de la vis de tension 9 (Fig. 4) dépasse en dehors de la calotte d'environ 4 mm; pour rétablir le fonctionnement, essayer de charger le ressort comme indiqué dans le paragraphe "Réglage de l'équilibreur"; si l'équilibreur ne se débloque pas, NE PAS intervenir et contacter le service d'assistance.

Blocage manuel

L'équilibreur est doté d'un système de blocage manuel (Fig. 4): pousser et tourner l'axe 6 (Fig. 2) de 90° (position A) pour bloquer la rotation du tambour; pousser et tourner l'axe 6 (Fig. 2) de 90° (position B) pour permettre le fonctionnement normal.

ATTENTION: ne pas laisser l'équilibreur avec le tambour bloqué et aucune charge accrochée;

ATTENTION: si l'on trouve l'équilibreur avec le câble qui n'est pas complètement enroulé et aucune charge accrochée, NE PAS intervenir et contacter immédiatement le service d'assistance.

OPTION "RI", suspension tournante isolée (Fig. 3)

Permet d'isoler électriquement la charge accrochée à l'équilibreur et/ou de tourner librement l'outil accroché sans tordre le câble.

ATTENTION: respecter toujours les normes de sécurité relatives à l'utilisation d'appareils électriques.

Installation: enfiler le mousqueton (29) dans l'axe E de la suspension tournante. Introduire la cosse du câble (28) dans l'axe F; introduire la goupille (D) et la déformer.

INSPECTIONS ET ENTRETIEN

L'entretien peut être effectué uniquement par du personnel spécialisé et autorisé.

- L'équilibreur doit être soumis régulièrement à une inspection visuelle (par exemple une fois pour chaque période de travail), notamment pour vérifier l'état des suspensions (17) et S (Fig. 1), des vis de fixation et des systèmes autobloquants (s'ils sont utilisés), ainsi que l'état des crochets et du câble.

Si le câble présente les défauts montrés sur la Fig. 5, le remplacer immédiatement.

N'effectuer aucune modification à l'ensemble câble, en particulier NE PAS RACCOURCIR le

câble: en cas de besoin, contacter Chicago Pneumatic

- Vérifier que le mouvement du câble est doux et qu'il n'y a pas de bruits anormaux;

- Ne pas lubrifier l'équilibreur avec des liquides inflammables ou volatiles;

- N'enlever aucune étiquette. Faire remplacer toute étiquette endommagée;

- **Au moins une fois par an, l'équilibreur doit être contrôlé par du personnel spécialisé et autorisé.**

Ne jamais désassembler l'équilibreur. L'entretien doit être effectué uniquement par du personnel spécialisé et autorisé.

A la fin de sa vie opérationnelle, l'équilibreur doit être éliminé conformément aux normes en vigueur.

Garantie

L'utilisation de pièces détachées non d'origine Chicago Pneumatic nuit à la sécurité, aux performances et, en tout cas, entraîne l'annulation de la garantie.

- Monter la calotte (11) sur l'arbre (22), accoupler à la calotte (38) et bien fermer; les vis (1) doivent être serrées au couple de 3 Nm;
- Une fois le montage effectué, charger le ressort du groupe (27) avec la vis (9) jusqu'à ce que la tête de la vis (8) rentre dans la calotte 11 (Fig. 4);
- Installer l'équilibreur selon les instructions indiquées dans le "Manuel d'utilisation de l'équilibreur".

Rupture du ressort du tambour

- Si l'équilibreur est bloqué, vérifier que le ressort du tambour n'est pas complètement déchargé (condition provoquant le blocage, comme si le ressort était cassé); si l'on n'arrive pas à charger l'équilibreur selon la procédure décrite dans le paragraphe "Réglage de l'équilibreur", **c'est que le ressort du tambour est probablement cassé.**

ATTENTION: avant de procéder à toute vérification, s'assurer que le ressort est effectivement déchargé.

ATTENTION - DANGER: ne pas ouvrir le tambour et/ou ne pas essayer de remplacer le ressort, pour quelque raison que ce soit: cette opération est très dangereuse et peut causer de graves blessures.

ATTENTION - DANGER: éliminer le tambour contenant le ressort cassé conformément aux normes en vigueur; NE PAS l'abandonner ni l'éliminer avec d'autres déchets et/ou débris car son ouverture, même accidentelle, est TRES DANGEREUSE et peut causer de graves blessures.

Utiliser uniquement des pièces détachées d'origine Chicago Pneumatic Pour la commande de pièces détachées, le client est prié de s'adresser au fournisseur de l'appareil ou directement au constructeur, en indiquant les éléments d'identification de la machine figurant sur la plaque signalétique.

Istruzioni operative e di sicurezza

Il bilanciatore deve essere installato prima di essere utilizzato. Tale operazione deve essere eseguita nel rispetto delle istruzioni contenute in questo manuale da parte di persone esperte: un'installazione non corretta può causare danni alle persone e/o alle cose.

Questo manuale contiene importanti informazioni che consentono di utilizzare l'apparecchio in condizioni di sicurezza. Assicurarsi di aver compreso bene tutte le istruzioni prima di utilizzare il bilanciatore. Il mancato rispetto di queste avvertenze può arrecare lesioni.

Il bilanciatore è stato realizzato in conformità alle Direttive Comunitarie pertinenti ed applicabili nel momento della sua immissione sul mercato, che prevedono la marcatura CE del prodotto.

Uso previsto

I bilanciatori sono progettati per equilibrare il peso di utensili ed attrezzi in genere e devono essere utilizzati da un solo operatore per volta. Il bilanciatore può essere utilizzato in catena di montaggio e posti di lavoro singoli. Riservato per uso professionale.

E' necessario utilizzare, controllare e conservare in perfetta efficienza il bilanciatore, in accordo con ogni norma relativa ai bilanciatori, utensili e posti di lavoro.

Controindicazioni d'uso

Non utilizzare il bilanciatore in ambienti con atmosfera potenzialmente esplosiva.

Non permettere l'utilizzo del bilanciatore da parte di minori.

Non operare, transitare o sostare sotto al bilanciatore.

Impiegare i bilanciatori rispettando sempre le norme e le leggi localmente in vigore.

La Chicago Pneumatic non è responsabile nei confronti di quei clienti che utilizzano questi bilanciatori per altre applicazioni.

Sceita del bilanciatore

Valutare il carico complessivo da equilibrare: utensile, accessori e parti dei tubi o cavi sostenuti dal bilanciatore. Il carico complessivo da equilibrare deve essere compreso fra la portata minima e massima del bilanciatore.

Messa in servizio del bilanciatore

Valutare l'estensione dell'area di lavoro e, se opportuno, appendere il bilanciatore ad un carrello in modo da consentire il corretto utilizzo in una zona di ampiezza adeguata all'attività da svolgere.

Se per l'installazione sono utilizzati dispositivi di fissaggio a vite, devono essere utilizzati dadi autobloccanti, copiglie o altri sistemi di sicurezza.

Collegare sempre la sospensione di sicurezza S utilizzando esclusivamente gli accessori forniti in dotazione (Fig.1) ad un sostegno opportunamente dimensionato. Il supporto di sicurezza NON DEVE ESSERE lo stesso usato per la sospensione principale 33 (Fig.1). La massima caduta in caso di rottura della sospensione principale non deve essere maggiore di 100 mm. Serrare i dadi dei morsetti 20331 (Fig. 1) con una coppia di 4 Nm. Per evitare usure anomale il carico deve essere applicato verticalmente e comunque la fune deve essere libera di allinearsi alla direzione del carico.

Utilizzo del bilanciatore

Impugnare l'utensile appeso al bilanciatore ed effettuare le operazioni richieste; quindi accompagnare l'utensile in una posizione di equilibrio, sulla verticale del bilanciatore, e rilasciarlo.

Il carico da bilanciare deve essere appeso al moschettone 29 (Fig.5). Accertarsi che, dopo l'applicazione del carico, il moschettone sia chiuso.

Lo svolgimento della fune non deve mai essere completo: la corsa di lavoro deve terminare almeno 100 mm prima del limite inferiore della corsa (i bilanciatori CP9954-CP9959 sono dotati di un sistema automatico di arresto a finecorsa)

Se necessario spostare e bloccare il morsetto 42 Fig.4 per limitare la corsa verso l'alto.

Durante l'uso del bilanciatore indossare sempre le protezioni antinfortunistiche e attenersi alle norme antinfortunistiche in vigore.

Deve essere assolutamente evitato di:

- Abbandonare il carico in posizione non verticale;
- Lanciare il carico appeso ad un altro operatore;
- Spostare il carico tirando la fune del bilanciatore;
- Appendere carichi non compresi tra i limiti superiore e inferiore della portata ammessa;
- Appendere più di un utensile al bilanciatore.

L'unico rischio connesso con l'uso del bilanciatore consiste nell'eventuale riavvolgimento incontrollato della fune; per evitare questo evento, estremamente pericoloso, attenersi alle seguenti disposizioni:

- in caso di dubbi sulla corretta funzionalità del bilanciatore, **PRIMA** di effettuare qualsiasi controllo, sostenere l'utensile appeso per impedirgli di cadere e **SCARICARE COMPLETAMENTE LA MOLLA;**
- se, per qualsiasi motivo, la fune non viene riavvolta dal bilanciatore, **NON** intervenire e interpellare immediatamente il servizio assistenza;
- non sganciare mai il carico se la fune non è completamente avvolta nel tamburo;
- nel caso si trovasse il bilanciatore con la fune svolta e nessun carico applicato, **NON**

intervenire e interpellare immediatamente il servizio assistenza.

Regolazione del bilanciatore

Per permettere al bilanciatore di equilibrare carichi maggiori, ruotare con l'apposita chiave la vite 9 (Fig. 4) nel senso indicato dal segno "+". Per carichi più leggeri, ruotare con l'apposita chiave la vite 9 (Fig. 4) nel senso indicato dal segno "-".

Dopo la regolazione del carico verificare che la fune possa scorrere liberamente per tutta la sua lunghezza: il movimento non deve essere limitato dal completo avvolgimento della molla. Verificare più volte la corsa a differenti velocità.

NOTA: una riduzione della capacità del bilanciatore di sopportare il carico appeso può significare che la molla del tamburo si sta rompendo. NON MODIFICARE LA REGOLAZIONE DEL BILANCIATORE PER SOPPORTARE UGUALMENTE IL CARICO, MA INTERPELLARE IMMEDIATAMENTE IL PERSONALE SPECIALIZZATO AUTORIZZATO ALLA MANUTENZIONE.

Dispositivi di sicurezza

Rottura molla tamburo

Il bilanciatore è dotato di un dispositivo di sicurezza che interviene in caso di rottura della molla del tamburo e blocca il funzionamento impedendo la caduta del carico appeso.

Se risulta impossibile far scendere o salire l'utensile appeso con sforzo ordinario, **NON intervenire e interpellare il servizio assistenza.**

NOTA: il bilanciatore si blocca anche se la molla del tamburo è completamente scarica: in questa condizione la testa della vite di carico 9 (Fig.4) sporge di circa 4 mm fuori dalla calotta; per ripristinare il funzionamento, provare a caricare la molla come descritto nel paragrafo "Regolazione del bilanciatore"; se il bilanciatore non si sblocca **NON intervenire e interpellare il servizio assistenza.**

Blocco manuale

Il bilanciatore è dotato di un sistema di blocco manuale (Fig.2): spingere e ruotare il perno 6 (Fig.2) di 90° (posizione A) per bloccare la rotazione del tamburo; spingere e ruotare il perno 6 (Fig.2) di 90° (posizione B) per consentire il normale funzionamento.

ATTENZIONE: non lasciare il bilanciatore con il tamburo bloccato e nessun carico appeso;

ATTENZIONE: se si trova il bilanciatore con il cavo non completamente avvolto e nessun carico appeso NON intervenire e rivolgersi immediatamente al servizio assistenza.

OPZIONE "RI", sospensione rotante isolata (Fig.3)

Permette di isolare elettricamente il carico appeso al bilanciatore e/o di ruotare liberamente l'utensile appeso senza torcere la fune.

ATTENZIONE: rispettare sempre le norme di sicurezza relative all'uso di apparecchiature elettriche.

Installazione: infilare il moschettone (29) nel perno E della sospensione rotante. Inserire la randa della fune (28) nel perno F; inserire la coppia (D) e deformarla.

ISPEZIONI E MANUTENZIONE

La manutenzione può essere effettuata solo da personale specializzato e autorizzato.

- Il bilanciatore deve essere regolarmente sottoposto a ispezione visiva (per esempio una volta per ogni turno di lavoro), in particolare per verificare lo stato delle sospensioni (33) ed S (Fig. 1), delle vite di fissaggio e dei sistemi autobloccanti (se usati), e la condizione dei ganci e della fune.

Se la fune presenta i difetti mostrati in Fig.5 deve essere immediatamente sostituita.

Non effettuare alcuna modifica al gruppo fune, in particolare **NON ACCORCIARE la fune:** in caso di necessità, interpellare la Chicago Pneumatic.

- Verificare che il movimento della fune sia dolce e l'assenza di rumori anomali;
- Non lubrificare il bilanciatore con liquidi infiammabili o volatili;
- Non rimuovere alcuna etichetta. Far sostituire qualsiasi targhetta deteriorata;
- **Almeno una volta all'anno il bilanciatore deve essere ispezionato da personale specializzato e autorizzato.**

Non disassemblare mai il bilanciatore. La manutenzione deve essere eseguita solo da personale specializzato e autorizzato.

Al termine della vita operativa, il bilanciatore deve essere smaltito nel rispetto della normativa vigente.

Garanzia

L'impiego di ricambi non originali Chicago Pneumatic influisce negativamente sulla sicurezza, sulle prestazioni e, comunque, **fa decadere la garanzia.**

MANUTENZIONE DEL BILANCIATORE

Sezione destinata SOLO al personale di manutenzione

ALCUNE OPERAZIONI DESCRITTE IN QUESTA SEZIONE SONO MOLTO PERICOLOSE E POSSONO PROCURARE DANNI ALLE PERSONE SE ESEGUITE DA PERSONALE NON ADDESTRATO.

PER INSTALLARE, REGOLARE E UTILIZZARE IL BILANCIATORE FARE RIFERIMENTO AL MANUALE D'USO.

Manutenzione

Il dimensionamento del bilanciatore è tale da non richiedere manutenzione per tutta la sua vita utile. Se, comunque, un uso particolarmente severo richiede interventi, prima di accingersi a disassemblare il bilanciatore accertarsi che il gruppo molla tamburo (27) sia scarico.

La molla è l'unico componente pericoloso del bilanciatore. E' contenuta nel tamburo (27) già lubrificata a vita. Il ricambio molla-tamburo (27) viene fornito completo: **la molla non deve essere estratta per alcun motivo.**

Non disassemblare il gruppo molla in quanto tale operazione è pericolosa.

Smontaggio e ispezione del bilanciatore

- Togliere le viti (1); sollevare la calotta (11); svolgere completamente la fune (28);
- Ispezionare il gruppo molla-tamburo (27): se la molla interna è rotta, se la scanalatura guida fune è danneggiata, deve essere sostituito integralmente.
- Il gruppo molla-tamburo (27) viene fornito assemblato, lubrificato e completo di cuscinetti e non deve essere aperto per alcun motivo;
- Controllare la fune (28): se presenta difetti mostrati in (Fig.5) deve essere sostituita;
- Verificare il regolare funzionamento di tutti i cinematismi otturatori (6 e 13), controllare la vite (9) che deve scorrere assialmente e ruotare) e verificare l'efficienza delle molle (7-8-12).

Montaggio del bilanciatore:

- Verificare il movimento libero dell'arresto (23);
- Sistemare la piastrina (25) sul terminale della fune (28) e bloccarla con le viti (26)
- Avvolgere la fune nelle cave elicoidali del tamburo (27) avendo cura di inserirla

nell'arresto (23) e procedere al montaggio;

- Montare la calotta (11) sull'albero (22), accoppiare alla calotta (38) e chiudere con cura; le viti (1) vanno serrate con una coppia di 3 Nm;
- A montaggio eseguito, caricare la molla del gruppo (27) con la vite (9) finché la testa della vite (9) non rientra nella calotta 11 (Fig. 4);
- Installare il bilanciatore seguendo le istruzioni riportate nel "Manuale d'uso del bilanciatore".

Rottura molla tamburo

- Se il bilanciatore risulta bloccato, verificare che la molla del tamburo non sia completamente scarica (condizione che provoca il blocco come se la molla fosse rotta); se non si riesce a caricare il bilanciatore seguendo la procedura descritta nel paragrafo "Regolazione del bilanciatore", **significa che probabilmente la molla del tamburo è rotta.**

ATTENZIONE: prima di procedere a qualsiasi verifica accertarsi che effettivamente la molla sia scarica.

ATTENZIONE - PERICOLO: per nessun motivo aprire il tamburo e/o cercare di sostituire la molla; tale operazione è pericolosissima e può arrecare gravi lesioni.

ATTENZIONE - PERICOLO: smaltire il tamburo contenente la molla rotta nel rispetto della normativa vigente; NON abbandonarlo né smaltirlo insieme ad altri rifiuti e/o rottami, in quanto la sua apertura, anche accidentale, è MOLTO PERICOLOSA e può arrecare lesioni gravi.

Utilizzare solo ricambi originali Chicago Pneumatic Per la richiesta di parti di ricambio, il Cliente è pregato di rivolgersi al fornitore dell'apparecchio o direttamente al costruttore, specificando i dati identificativi della macchina riportati sulla targa.

Bedienungs- und Sicherheitsanleitung

Der Federzug ist vor der Verwendung zu installieren. Dieser Vorgang ist unter Befolgen der in diesem Handbuch enthaltenen Anweisungen durch Fachpersonal vorzunehmen: Eine nicht korrekte Installation kann Schäden an Personen und/oder Gegenständen hervorrufen. Dieses Handbuch enthält wichtige Informationen, welche die Bedienung des Gerätes in Sicherheit ermöglichen. Stellen Sie sicher, die Anweisungen gut verstanden zu haben, bevor Sie den Federzug einsetzen. Die Nichtbeachtung dieser Hinweise kann zu Verletzungen führen.

Der Federzug wurde in Übereinstimmung mit dem zum Zeitpunkt seiner Markteinführung zutreffenden und geltenden Europarichtlinien, welche die CE-Markierung des Produkts vorsehen, hergestellt.

Vorgesehener Einsatzbereich

Die Federzüge sind ausgelegt zum Ausgleichen des Gewichts von Werkzeugen und Ausrüstungen im Allgemeinen und sind durch nur jeweils einen Bediener zu verwenden. Der Federzug kann in Montagelinien, an Einzelarbeitsplätzen verwendet werden. Nur für den industriellen Einsatz.

Es ist notwendig, den Federzug in Übereinstimmung mit allen Vorschriften hinsichtlich Federzüge, Werkzeuge und Arbeitsplätze zu kontrollieren und dessen volle Funktionstüchtigkeit zu erhalten.

Gegenanzeigen zum Gebrauch

Verwenden Sie die Federzüge nicht in Umgebungen mit potentiell explosiver Atmosphäre.

Erlauben Sie Minderjährigen nicht die Bedienung des Federzugs.

Arbeiten Sie nicht unter dem Federzug und halten sich nicht darunter auf.

Verwenden Sie die Federzüge, indem Sie stets die örtlich geltenden Vorschriften und Gesetze einhalten.

Die Firma Chicago Pneumatic übernimmt keine Haftung für den Fall, dass Kunden diese Federzüge für andere Anwendungen einsetzen.

Wahl des Federzugs

Bewerten Sie die auszugleichende Gesamtlast: Werkzeug, Zubehör und Teile der vom Federzug gehaltenen Rohre oder Kabel. Das auszugleichende Gesamtgewicht muss zwischen der minimalen und maximalen Nutzlast des Federzugs liegen.

Inbetriebnahme des Federzugs

Bewerten Sie die Ausdehnung des Arbeitsbereiches und hängen Sie den Federzug gegebenenfalls an einen Support, sodass die korrekte Bedienung in einer der Ausführung der Tätigkeit entsprechend weiten Zone ermöglicht wird.

Wenn für die Installation Schraubbefestigungsvorrichtungen eingesetzt werden, sind selbstblockierende Muttern, Splinte oder andere Sicherheitssysteme zu verwenden.

Verbinden Sie die Sicherheitsaufhängung S unter ausschließlicher Verwendung des mitgelieferten Zubehörs (Abb.1) mit einer ausreichend bemessenen Halterung. Der Sicherheits-Support DARF NICHT derselbe wie der für die Hauptaufhängung 33 (Abb.1) verwendete sein. Die maximale Fallhöhe bei einer Beschädigung der Hauptaufhängung darf 100 mm nicht überschreiten. Drehen Sie die Muttern der Klemmen 20331 (Abb.1) mit einem Drehmoment von 4 Nm fest.

Zur Vermeidung eines anomalen Verschleißes ist die Last vertikal anzubringen, und das Seil muss in jedem Fall frei in Lastrichtung zentriert werden können.

Verwendung des Federzugs

Ergreifen Sie das am Federzug angehängte Werkzeug und führen Sie die geforderten Arbeitsschritte aus. Begleiten Sie das Werkzeug anschließend in eine Gleichgewichtsposition auf der Senkrechten des Federzugs und lassen es wieder los.

Die auszugleichende Last ist am Karabinerhaken 29 (Abb. 4), einzuhängen. Stellen Sie sicher, dass der Karabinerhaken nach dem Anbringen der Last geschlossen ist.

Die Abwicklung des Seils darf niemals vollständig erfolgen. Der Arbeitslauf muss mindestens 100 mm vor der unteren Laufgrenze enden (die Federzüge CP9954-CP9959 sind mit einem automatischen Endanschlag-Stoppssystem ausgestattet).

Blockieren Sie die Klemme 42 Abb.4 gegebenenfalls, um den Lauf nach oben zu begrenzen. Während der Bedienung des Federzugs sind stets Schutzhandschuhe zu tragen und die geltenden Unfallschutzvorrichtungen einzuhalten.

Folgende Vorschriften sind unbedingt einzuhalten:

- Die Last darf nicht in einer nicht vertikalen Position gelassen werden;
- Die angehängte Last darf nicht in Richtung eines anderen Mitarbeiters geworfen werden;
- Die Last darf nicht durch Ziehen am Seil des Federzugs verschoben werden;
- Das Anhängen von Lasten, die nicht innerhalb der zulässigen Mindest- und Höchstnutzlast liegen, ist verboten;
- Das Anhängen von mehr als einem Werkzeug an den Federzug ist verboten.

Die einzige mit der Verwendung des Federzugs verbundene Gefahr besteht im möglichen unkontrollierten Aufwickeln des Seils. Zur Vermeidung dieses extrem gefährlichen Ereignisses sind folgende Anweisungen einzuhalten:

- Bei Zweifeln bezüglich der Funktionstüchtigkeit des Federzugs ist das angehängte Werkzeug VOR der Durchführung jeglicher Kontrolle abzstützen um zu vermeiden, dass dieses herunterfällt und DIE FEDER VOLLKOMMEN ENTSPANNT wird;
- Sollte das Seil aus irgendeinem Grund nicht vom Federzug aufgewickelt werden, greifen Sie NICHT selbst ein, sondern verständigen unverzüglich den Kundendienst;

WARTUNG DES FEDERZUGS

Dieser Abschnitt ist AUSSCHLIEßLICH Fachpersonal vorbehalten

Einige in diesem Abschnitt beschriebene Vorgänge sind sehr gefährlich und können zu Personenschäden führen, falls sie durch nicht eingewiesenes Personal ausgeführt werden.

BEI DER INSTALLATION, WARTUNG UND BEDienung DES FEDERZUGS IST BEZUG AUF DIE BEDienungSANLEITUNG ZU NEHMEN.

Wartung

Die Bemessung des Federzugs ist derart, dass dieser für seine gesamte Lebensdauer wartungsfrei ist. Sollte ein besonders belastender Einsatz jedoch Eingriffe erfordern, stellen Sie vor der Demontage des Federzugs sicher, dass die Trommel-Federgruppe (27) entladen ist.

Die Feder ist die einzige gefährliche Komponente des Federzugs. Die Feder befindet sich mit Dauerschmierung in der Trommel (27). Das Ersatzteil Feder-Trommel (27) wird komplett geliefert: Die Feder darf aus keinem Grund herausgezogen werden.

Bauen Sie die Federgruppe nicht auseinander, da dieser Vorgang sich als gefährlich erweisen könnte.

Zerlegen und Inspektion des Federzugs

- Entfernen Sie die Schrauben (1). Stellen Sie die Kuppe (11) hoch. Wickeln Sie das Seil (28) vollständig ab.
- Inspizieren Sie die Gruppe Feder-Trommel (27): Wenn die Feder gebrochen ist, wenn die Seilführungsnut beschädigt ist, muss die Gruppe vollständig ersetzt werden. Die Gruppe Feder-Trommel (27) wird montiert geliefert, geschmiert und komplett mit Lagern geliefert und darf aus keinem Grund geöffnet werden.
- Überprüfen Sie das Seil (28): sollte dieses die Fehler in (Abb. 5) aufweisen, ist es auszuwechseln.
- Überprüfen Sie den einwandfreien Betrieb aller Verschlussbewegungsmechanismen (6 und 13), kontrollieren Sie die Schraube (9), diese muss axial laufen und sich drehen. Überprüfen Sie die Wirksamkeit der Federn (8-12).

Montage des Federzugs:

- Überprüfen Sie den freien Lauf der Arretierung (L).
- Bringen Sie das Plättchen (25) am Ende des Seils (28) an und blockieren es mit den Schrauben (26)
- Wickeln Sie das Seil in den schraubenförmigen Hohlraum der Trommel (27) ein. Achten Sie

- Hängen Sie die Last niemals aus, wenn das Seil nicht vollkommen in der Trommel aufgerollt ist;
- Sollte das Seil des Federzugs abgewickelt und keine Last angebracht sein, greifen Sie NICHT selbst ein, sondern verständigen unverzüglich den Kundendienst.

Einstellung des Federzugs

Um es zu ermöglichen, dass der Federzug auch schwerere Lasten ausgleicht, drehen Sie mit dem dazu vorgesehenen Schlüssel die Schraube 9 (Abb. 4) in der durch das Vorzeichen "+" bezeichneten Richtung. Für leichtere Lasten drehen Sie mit dem dazu vorgesehenen Schlüssel die Schraube 9 (Abb. 4) in der durch das Vorzeichen "-" bezeichneten Richtung.

Nach der Einstellung der Last stellen Sie sicher, dass das Seil auf seiner gesamten Länge frei laufen kann: Die Bewegung darf durch das vollständige Einziehen der Feder nicht begrenzt werden. Prüfen Sie den Lauf mehrmals bei verschiedenen Geschwindigkeiten.

HINWEIS: Eine Minderung der Kapazität des Federzugs zur Aufnahme der angehängten Last kann bedeuten, dass die Feder der Trommel bald bricht. ÄNDERN SIE DIE EINSTELLUNG DES FEDERZUGS NICHT MIT DEM ZIEL, DIE LAST DENNOCH AUFZUNEHMEN, SONDERN NEHMEN SIE UNVERZÜGLICH KONTAKT MIT ZUR WARTUNG BEFUGTEM FACHPERSONAL AUF.

Sicherheitsvorrichtungen

Bruch der Trommelfeder

Der Federzug ist ausgestattet mit einer Sicherheitsvorrichtung, die beim Bruch der Trommelfeder eingreift, den Betrieb blockiert und den Fall der angehängten Last verhindert.

Sollte es unmöglich sein, das angehängte Werkzeug mit einem normalen Kraftaufwand zu heben oder zu senken, greifen Sie NICHT ein und rufen Sie den Technischen Kundendienst an.

HINWEIS: Der Federzug blockiert auch dann, wenn die Trommelfeder komplett entspannt ist: Unter dieser Bedingung ragt der Kopf der Spannschraube 9 (Abb. 4) um zirka 4 mm aus der Kuppe. Zur Wiederherstellung des Betriebs ersuchen Sie, die Feder wie im Abschnitt "Einstellung des Federzugs" zu spannen. Wenn sich der Federzug nicht löst, greifen Sie NICHT ein und rufen Sie den Kundendienst an.

Manuelle Blockierung

Der Federzug ist mit einem manuellen Blockiersystem ausgestattet (Abb. 2): Schieben und drehen Sie den Bolzen 6 (Abb. 2) um 90° (Position A) zur Blockierung der Trommeldrehung. Schieben und drehen Sie den Bolzen 6 (Abb. 2) um 90° (Position B) für den Normalbetrieb.

ACHTUNG: Lassen Sie den Federzug nicht mit blockierter Trommel und ohne angehängte Last.

ACHTUNG: Wenn sich der Federzug in einem Zustand mit nicht vollkommen aufgewickeltem Seil und ohne angehängte Last befindet, greifen Sie NICHT ein und wenden sich umgehend an einen autorisierten Kundendienst.

OPTION "RI", isolierte Drehaufhängung (Abb. 3)

Erlaubt die elektrische Isolierung der am Federzug angehängten Last und/oder die freie Drehung des angehängten Werkzeugs ohne Drehung des Seils.

ACHTUNG: Halten Sie stets die Sicherheitsvorschriften bezüglich der Bedienung elektrischer Geräte ein.

Installation: Führen Sie den Karabinerhaken (29) in den Bolzen E der Drehaufhängung. Führen Sie die Kausche des Seils (28) in den Bolzen F. Führen Sie den Splint (D) ein und verformen ihn.

INSPEKTION UND WARTUNG

Wartungsarbeiten dürfen nur von befugtem Fachpersonal durchgeführt werden.

- Der Federzug ist regelmäßig einer Sichtprüfung zu unterziehen (zum Beispiel einmal pro Arbeitsschicht) Dabei ist insbesondere der Zustand der Aufhängungen (33) und S (Abb. 1), der Befestigungsschrauben und der selbstsperrenden Systeme (falls verwendet) sowie die Beschaffenheit der Haken und des Seils zu kontrollieren.

Sollte das Seil die in Abb. 5 gezeigten Schäden aufweisen, ist dieses unverzüglich zu ersetzen.

Nehmen Sie keine Änderung an der Seilgruppe vor. **VERKÜRZEN SIE INSBESONDERE NICHT DAS SEIL.** Nehmen Sie gegebenenfalls mit Chicago Pneumatic auf.

- Stellen Sie sicher, dass die Bewegung des Seils leichtgängig ist und keine ungewöhnlichen Geräusche auftreten;

- Schmieren Sie den Federzug nicht mit entflammaren oder flüchtigen Flüssigkeiten;

- Entfernen Sie keinerlei Etikette. Lassen Sie jegliches beschädigte Schild ersetzen;

- Der Federzug ist mindestens einmal pro Jahr durch autorisiertes Fachpersonal zu inspizieren.

Bauen Sie den Federzug niemals auseinander. Wartungsarbeiten dürfen nur von befugtem Fachpersonal durchgeführt werden.

Am Ende der Lebensdauer ist der Federzug unter Einhaltung der geltenden Gesetzgebung zu entsorgen.

Garantie

Die Verwendung nicht originaler Ersatzteile von Chicago Pneumatic beeinträchtigt die Sicherheit und die Betriebsleistung und führt darüber hinaus zum Verfall der Garantie.

dabei darauf, es in die Arretierung (23) einzuführen und beginnen Sie mit der Montage;

- Montieren Sie die Kuppe (11) auf der Welle (22), passen Sie die Kuppe (38) ein und schließen Sie sorgfältig. Die Schrauben (1) sind mit einem Drehmoment von 3 Nm festzuziehen.

- Spannen Sie nach Ausführung der Montage die Feder der Gruppe (27) mit der Schraube (9), bis sich der Kopf der Schraube (8) in die Kuppe flüßt 11 (Abb.4).

- Installieren Sie den Federzug unter Befolgen der Anweisungen in der "Bedienungsanleitung des Federzugs".

Bruch der Trommelfeder

Wenn sich der Federzug als blockiert erweist, stellen Sie sicher, dass die Tromme vollständig entladen ist (Zustand, der zur Blockierung führt, als ob die Feder gebrochen wäre. Wenn es nicht gelingt, den Federzug unter Befolgen des im Abschnitt "Einstellung des Federzugs" beschriebenen Verfahrens zu spannen, **bedeutet dies wahrscheinlich, dass die Trommelfeder gebrochen ist.**

ACHTUNG: Stellen Sie vor der Durchführung jeglicher Prüfung sicher, dass die Feder tatsächlich entspannt ist.

ACHTUNG – GEFAHR: Öffnen Sie unter keinen Umständen die Trommel und/oder versuchen, die Feder auszuwechseln. Dieser Eingriff ist extrem gefährlich und kann zu schweren Verletzungen führen.

ACHTUNG – GEFAHR: Entsorgen Sie die Trommel mit der beschädigten NICHT zusammen mit anderen Abfällen und/oder Schrottmaterialien, da ihre auch nur unbeabsichtigte Öffnung SEHR GEFÄHRLICH ist und schwere Verletzungen herbeiführen kann.

Verwenden Sie nur Ersatzteile von Chicago Pneumatic. Der Kunde wird gebeten, sich zur Anforderung von Ersatzteilen unter Angabe der auf dem Typenschild eingetragenen Kenndaten an den Lieferanten des Gerätes oder direkt an den Hersteller zu wenden.

Bedienings- en veiligheidsinstructies

De balancer moet vóór zijn gebruik geïnstalleerd worden. Deze bewerking moet volgens de instructies uit deze handleiding door bekwaam personeel worden uitgevoerd: een foutieve installatie kan schade aan personen e/o voorwerpen veroorzaken.

Deze handleiding bevat belangrijke informatie m.b.t. het gebruik van het toestel onder veilige voorwaarden. Lees deze handleiding door alvorens met de balancer te werken. Het niet nakomen van deze waarschuwingen kan letsels toebrengen.

De balancer werd in overeenstemming met de betreffende Europese Richtlijnen vervaardigd en aangewend bij het invoeren op de markt, die de CE markering van het product voorzien.

Voorzien gebruik

De balancers werden gepland om het gewicht van de gereedschappen en de toebehoren te balanceren en moeten door één enkele operator per keer worden gebruikt. De balancer kan op montagebanden en individuele werkplekken worden gebruikt.

Uitsluitend bestemd voor professioneel gebruik

Het is noodzakelijk de perfecte efficiënte van de balancer te gebruiken, te controleren en te bewaren, in overeenkomst met elke norm m.b.t. balancers, gereedschappen en werkplekken.

Contra-indicaties voor het gebruik

Gebruik de balancer niet op plaatsen met potentiële explosieve atmosfeer.

Sta het gebruik van de balancer niet aan minderjarigen toe.

Werk niet, loop niet of verblijf niet onder de balancer.

Gebruik de balancers volgens de plaatselijke geldende voorschriften en wetten.

Chicago Pneumatic is niet verantwoordelijk t.o.v. klanten die deze balancers voor andere doeleinden gebruiken.

Keuze van de balancer

Bepaal de totale te balanceren lading: gereedschap, toebehoren of delen van buizen of kabels door de balancer op te heffen. De totaal te balanceren lading moet zich binnen het minimale en maximale vermogen van de balancer bevinden.

Inbedrijfstelling van de balancer

Beoordeel de omvang van de arbeidszone en indien geschikt, hang de balancer aan een wagen voor het correcte gebruik in een omvangrijke zone, geschikt voor de uit te voeren werking. Indien men voor de installatie vastzetschroeven gebruikt heeft, moet men zelfblokkerende bouten, splitpenen of andere veiligheidssystemen aanwenden.

Verbind steeds de veiligheidsophanging S uitsluitend d.m.v. de meegeleverde toebehoren

(Fig. 1) aan een geschikt afgemeten steunstuk. De veiligheidssteun MAG NIET DEZELFDE ZIJN, die gebruikt werd voor de hoofdoophanging 33 (Fig. 1). De maximale val bij breuk van de hoofdoophanging mag niet groter dan 100 mm zijn. Draai de bouten van de klemmen 20331 (Fig. 1) met een aanspanmoment van 4 Nm aan.

De lading moet verticaal aangebracht worden, om afwijkende slijtage te vermijden en de kabel moet vrij zijn om zich in laadrichting uit te lijnen.

Gebruik van de balancer

Grijp het aan de balancer hangende gereedschap en voer de verlangde bewerkingen uit; begeleid vervolgens het gereedschap in een evenwichtspositie op de verticaal van de balancer en laat hem los.

De te balanceren lading moet aan veerhaak 29 (Afb.4) hangen. Controleer de sluiting van de veerhaak na het aanbrengen van de lading.

De kabel mag nooit volledig worden afgewikkeld: de werkkloop moet minstens 100 mm voor de onderste limiet van de loop eindigen (de balancers CP9954-CP9959 zijn voorzien van een automatisch stilstandstelsel bij de eindschakelaar).

Verplaats en blokkeer klem 42 Fig. 4 indien noodzakelijk, om de loop in de hoogte te beperken. Draag gedurende het gebruik van de balancer steeds veiligheidsbeveiligingen en houd u aan de geldende veiligheidsvoorschriften.

Vermijd absoluut:

- Het verlaten van de lading in niet-verticale positie;
- De hangende lading naar een andere operator te werpen;
- De lading door het trekken aan de kabel van de balancer te verplaatsen;
- Ladingen te hangen die zich niet tussen de bovenste en onderste beperkingen van het toegestane vermogen bevinden;
- Meerdere gereedschappen aan de balancer te hangen.

Het enige risico verbonden met het gebruik van de balancer bestaat uit een eventueel ongecontroleerd opnieuw opwinden van de kabel; kom de navolgende voorschriften na, om deze uiterst gevaarlijke gebeurtenis te vermijden:

- ondersteun in geval van twijfel m.b.t. de correcte werking van de balancer en VOORALEER een controle uit te voeren, het hangende gereedschap zodat het niet kan vallen en ONTSLAAG VOLLEDIG DE VEER;
- indien uit welke reden dan ook, de kabel door de balancer niet terug wordt opgerold, MAG MEN NIET INGRIPJEN en moet men onmiddellijk de hulp van de klantendienst inroepen;
- haak nooit de lading los, indien de kabel niet volledig om de trommel gewikkeld is;
- bij aanwezigheid van de balancer met afgewikkelde kabel en zonder lading, MAG MEN NIET

INGRIJPEN en moet men onmiddellijk de hulp van de klantendienst inroepen.

Instelling van de balancer

Draai schroef 9 (Afb. 4) met de geschikte sleutel in de richting, aangegeven met het teken "+", zodat de balancer zwaardere ladingen kan balanceren. Draai voor lichtere ladingen schroef 9 (Afb. 4) met de geschikte sleutel in de richting, aangegeven met het teken "-".

Controleer na instelling van de lading, dat de kabel vrij over zijn ganse lengte kan doorlopen: de verplaatsing mag niet door de volledige omwikkeling van de veer worden beperkt. Controleer herhaaldelijk de loop aan verschillende snelheden.

NOTA: een capaciteitsvermindering van de balancer m.b.t. het ondersteunen van de hangende lading kan het breken van de trommelveer veroorzaken. WIJZIG NIET DE INSTELLING VAN DE BALANCER OM DE LADING TOCH TE STEUNEN, MAAR ROEP ONMIDDELIJK DE HULP VAN GESCHOOLD EN BEVOEGD ONDERHOUDSPERSONEEL IN.

Veiligheidsvoorzieningen

Kapot gaan van de trommelveer

De balancer is uitgerust met een veiligheidsvoorziening die bij breken van de trommelveer in werking treedt en de werking blokkeert zodat het vallen van de hangende lading voorkomen wordt.

Mocht het onmogelijk blijken, het hangende gereedschap te laten dalen of te laten stijgen met een gewone inspanning, **grijp dan NIET in en neem contact op met de assistentiedienst.**

NOTA: de balancer blokkeert zich ook indien de trommelveer volledig ontladen is: de kop van de laadschroef 9 (Afb. 4) treedt in dit geval met ongeveer 4 mm uit de kap; laad de veer zoals

beschreven in de paragraaf "Instelling van de balancer"; grijp NIET in en neem contact op met de assistentiedienst indien de balancer zich niet deblokkeert.

Handbediende blokkering

De balancer is voorzien van een handbediende blokkeersysteem (Afb. 2): druk en draai stift 6 (Afb. 2) met 90° (positie A) om de trommelrotatie te blokkeren; druk en draai stift 6 (Afb. 2) met 90° (positie B) voor de normale werking.

LET OP: laat de balancer niet met geblokkeerde trommel en zonder hangende lading achter;

LET OP: grijp NIET in en neem onmiddellijk contact op met de assistentiedienst indien de kabel van de balancer niet volledig opgerold en zonder hangende lading is.

OPTIE "RI", roterende isolerende ophanging (Afb.3)

Staat de elektrische isolering van de hangende lading aan de balancer toe, e/o de vrije rotatie van het hangende gereedschap zonder draaiingen van de kabel.

LET OP: kom steeds de veiligheidsnormen m.b.t. het gebruik van elektrische apparatuur na.

Installatie: voeg de veerhaak (29) in splitpen E van de roterende ophanging in. Voeg de kabelkous (28) in splitpen F in; voeg de spanstift (D) in en vervorm hem.

CONTROLES EN ONDERHOUD

Het onderhoud mag **enkel** door geschoold en bevoegd personeel worden uitgevoerd.

Onderwerp de balancer periodiek aan een visuele controle (bijvoorbeeld één keer voor iedere dienst). Dit is in het bijzonder noodzakelijk voor het controleren van de toestand van de ophangingen (33) en S (Fig. 1), van de vastzetschroeven en van de zelfblokkerende systemen (indien gebruikt), en van de toestand van de haken en de kabel.

Indien de kabel defecten vertoont zoals in Fig. 5 aangegeven, moet hij onmiddellijk worden vervangen.

Voer geen enkele wijziging aan het kabelpakket uit, in het bijzonder, **VERKORT NOOIT de kabel:** roep indien noodzakelijk de hulp in van Chicago Pneumatic

- Controleer de zachte verplaatsing van de kabel en de afwezigheid van afwijkende geluiden;
- Smeer de balancer niet met ontvlambare of vluchtige vloeistoffen;
- Verwijder geen enkel etiket. Laat iedere beschadigde plaat vervangen;
- **De balancer moet minstens één keer per jaar door geschoold en bevoegd personeel worden gecontroleerd.**

Demonteer nooit de balancer. Het onderhoud mag enkel door geschoold en bevoegd personeel worden uitgevoerd.

De balancer moet op het einde van zijn werkingsduur volgens de geldende richtlijnen verwerkt worden.

Garantie

Het gebruik van niet-originele Chicago Pneumatic reserveonderdelen kan gevaaren voor de veiligheid, slechtere prestaties tot gevolg hebben en **laat iedere garantie vervallen.**

ONDERHOUD VAN DE BALANCER

hoofdstuk ENKEL bestemd voor het onderhoudspersoneel

SOMMIGE IN DIT HOOFDSTUK BESCHREVEN BEWERKINGEN ZIJN UITERST GEVAARLIJK EN KUNNEN SCHADES AAN PERSONEN VEROOZAKEN, INDIEN ZIJ NIET DOOR GESCHOOLD PERSONEEL WORDEN UITGEVOERD.

MAAK BETREKKING OP DE GEBRUIKSAANWIJZING VOOR HET INSTALLEREN, INSTELLEN EN GEBRUIK VAN DE BALANCER.

Onderhoud

De balancer is zodanig geconstrueerd dat tijdens de volledige nuttige levensduur geen onderhoud nodig is. Indien dit echter door extra zwaar gebruik toch noodzakelijk mocht zijn, **controleer dan of de trommelveer (27) ontspannen is, alvorens de balancer te demonteren.**

De veer is het enige gevaarlijke onderdeel van de balancer. De veer bevindt zich in de trommel (27) en heeft permanente smering. De uitwisseling van het verenpakket (27) wordt volledig geleverd: **de veer mag onder geen enkele voorwaarde worden uitgetrokken.**

Demonteer het verenpakket niet omdat dit zeer gevaarlijk kan zijn.

Demontage en controle van de balancer

- Verwijder de schroeven (1); til de kap (11) op; wikkel de kabel (28) volledig af;
- Controleer de veer-trommel eenheid (27): indien de binnenveer kapot is, indien de gleuf van de kabelgeleider beschadigd is, moet hij volledig vervangen worden. De veer-trommel eenheid (27) wordt gemonteerd, gesmeerd en volledig met lagers geleverd en mag uit geen enkele reden worden geopend;
- Controleer de kabel (28): vervang hem onmiddellijk indien hij defecten vertoont, zoals aangegeven in (Afb.5);
- Controleer de regelmatige werking van alle kinematische afsluiters (6 en 13), controleer de schroef (9), die axiaal glijden en roteren moet en controleer de werking van de veren (7-8-12).

Montage van de balancer:

- Controleer de vrije beweging van de pal (23);

- Plaats het plaatje (25) op het kabeluiteinde (28) en blokkeer het met de schroeven (26)

- Wikkel de kabel in de helicoïdale kabels van de trommel (27) en zorg ervoor deze in de blokkeerpen (23) in te voegen en ga over tot de montage;

- Monteer de kap (11) op de as (22), koppel op de kap (38) aan en sluit zorgvuldig; de schroeven (1) worden met een aanspanmoment van 3 Nm aangedraaid;

- Laad de veer van de eenheid (27) met de schroef (9), tot de schroefkop (9) in kap 11 binnentreedt (Afb.4);

- Installeer de balancer volgens de weergegeven instructies in de "Gebruiksaanwijzing van de balancer".

Kapot gaan van de trommelveer

Indien de balancer geblokkeerd blijkt te zijn, controleer dan of de trommelveer niet volledig ontladen is (situatie die de blokkering veroorzaakt alsof de veer stuk is). Slaagt men er niet in de balancer te laden volgens de beschreven procedure in paragraaf "Instelling van de balancer", **betekent dit waarschijnlijk dat de trommelveer kapot is.**

LET OP: alvorens ongeacht welke controle uit te voeren, dient men te

controleren of de veer daadwerkelijk ontladen is.

LET OP - GEVAAR: om geen enkele reden de trommel openen en/of proberen de veer te vervangen. Dit is zeer gevaarlijk en kan ernstige letsels veroorzaken.

LET OP - GEVAAR: gooi de trommel met de kapotte veer weg met inachtneming van de heersende normen. Loos de trommel NIET in het milieu en gooi hem niet samen met ander vuil en/of schroot weg omdat het opengaan van de trommel, ook als dit per

ongeluk gebeurt, ZEER GEVAARLIJK is en ook ernstig letsel kan veroorzaken.

Gebruik enkel originele Chicago Pneumatic reserveonderdelen. De klant dient zich voor aanvraag van reserveonderdelen tot de leverancier van het toestel of direct tot de fabrikant te wenden, onder aanduiding van de identificatiegegevens van de machine, weergegeven op de plaat.

Drift og sikkerhetsinstruksjoner

Balanseblokken må installeres før den kan tas i bruk. Denne operasjonen må utføres av personer med erfaring som følger instruksene i denne brukerveiledningen. Feil installasjon kan påføre skade på personer og/eller gjenstander.

Denne brukerveiledningen inneholder viktig informasjon som gjør det mulig å benytte apparatet på en sikker måte. En må forsikre seg om at en har forstått alle instruksene for balanseblokken tas i bruk. Manglende respekt på de gitte advarslene kan påføre skade.

Balanseblokken er utført i overensstemmelse med gjeldende EU-direktiver som benyttes i det øyeblikket produktet kommer ut på markedet, og som forutsetter at produktet EU merkes.

Forutsatt bruk

Balanseblokken er konstruert til å balansere/utligne vekten til verktøy og utstyr generelt og den må benyttes av én operatør av gangen. Balanseblokken kan benyttes i produksjonsbånd, enkeltstående. Forbeholdt profesjonell bruk.

Vær alltid nøye med å bruke, kontrollere og oppbevare balanseblokken i perfekt stand i overensstemmelse med de foreskrevet som gjelder for balanseblokker, verktøy og arbeidsplassen.

Forholdsregler ved bruk

Ikke benytt balanseblokken i omgivelser hvor det finnes en potensiell eksplosjonsfare.

En må ikke la umyndige benytte balanseblokken.

En må ikke arbeide, bevege seg eller oppholde seg under balanseblokken.

Ved bruk av balanseblokken må en alltid respektere de gjeldende lokale lover og regler.

Chicago Pneumatic kan ikke stilles til ansvar ovenfor kunder som benytter balanseblokkene til annen bruk enn det de er beregnet til.

Valg av balanseblokken

Ta hensyn til den totale lasten som skal utbalanseres: verktøy, utstyr og deler av wire eller kabler som holdes av balanseblokken. Den totale lasten som skal utbalanseres må ligge innenfor balanseblokkens angitte kapasitetsområde.

Klargjøring av balanseblokken

Vurder arealet til arbeidsområdet. Dersom det er hensiktsmessig kan balanseblokken henges på en truck slik at en sikrer riktig bruk i et område med egnet vidde i forhold til aktiviteten som skal utføres.

Dersom det brukes skruveste ved installasjonen, må selvlåsende muttre, låsesplinter eller andre sikringsystemer benyttes.

Kople alltid sikringsoppheng S (Fig. 1) til en solid støtte som har de riktige dimensjonene, en må kun benytte det utstyret som leveres av produsenten.

Sikringsstøtten MÅ ABSOLUTT IKKE være den samme som hovedoppheng 33 (Fig. 1) er koplet til. Maksimalt fall i tilfellet hovedoppheng svikter, må ikke være større enn 100 mm. Feste muttrene til klemmene 20331 (Fig. 1) med et dreiemoment som tilsvarer 4 Nm.

For å unngå unormal slitasje skal lasten påføres vertikalt og wiren må uansett være fri slik at den regulerer seg i samme retning som lasten.

Bruk av balanseblokken

Ta tak i verktøyet som henger på balanseblokken og utfør de operasjonene som kreves.

Følg deretter verktøyet i en likevektsposisjon, vertikalt i forhold til balanseblokken, og slipp det.

Lasten som skal utbalanseres skal henge etter karabinkrok 29 (Fig.4). Forsikre deg om at karabinkroken er skikkelig lukket etter at lasten er plassert på plass.

Wiren må aldri trekkes fullstendig ut: uttrekkslengden ved arbeid må stanse minst 100 mm for den nedre begrensningen til wiren nås (balanseblokkene av typen CP9954-CP9959 er utstyrt med et system for automatisk stans med grensebryter).

Flytte eller blokkere klemmen 42 Fig.4 for å begrense bevegelsen oppover dersom dette er nødvendig.

Ved bruk av balanseblokken må en alltid ha på seg egnet verneutstyr og respektere den gjeldende arbeidsmiljøloven.

Det er absolutt forbudt å:

- forlate lasten i ikke vertikal posisjon;
- hive den hengende lasten over til en annen operatør;
- flytte lasten ved å dra i wiren til balanseblokken;
- henge opp last som faller utenfor de øvre og nedre tillatte kapasitetsbegrensninger;
- henge opp flere verktøy på balanseblokken.

Den eneste risikoen tilknyttet bruken av balanseblokken består av en eventuell ukontrollert slyngning av wiren, noe som kan være svært farlig. For å unngå at dette skjer, må en holde seg til instruksene nedenfor:

- dersom en er i tvil om hvorvidt balanseblokken fungerer som den skal, FØR det utføres en hvilken som helst kontroll, støtte verktøyet som er opphengt for å hindre at det faller ned og SØRGE FOR AT FJÆREN IKKE LENGER ER SPENT.

- dersom, av en hvilken som helst årsak, wiren ikke spoles opp av balanseblokken, må en ikke gripe inn, men i stede be kundeservicen om hjelp;

- en må aldri fjerne lasten dersom wiren ikke er helt spolt opp i trommelen;

VEDLIKEHOLD AV BALANSEBLOKKEN

seksjon som KUN er beregnet på personalet som er ansvarlig for vedlikeholdet

NOEN AV OPERASJONENE SOM ER BESKREVNE I DENNE SEKSJONEN ER SVÆRT FARLIGE OG DE KAN PÅFØRE SKADE PÅ PERSONER DERSOM DE UTFØRES AV PERSONAL UTEN EGNET OPPLÆRING.

FOR Å INSTALLERE, REGULERE OG BENYTT BALANSEBLOKKEN MÅ EN FØLGE INSTRUKSENE I BRUKERVEILEDNINGEN.

Vedlikehold

Utligningen av balanseblokken stiller ingen krav til løpende service i løpet av funksjonstiden. Dersom det likevel skulle være nødvendig med inngrep på grunn av svært høy belastning, må en før en forbereder seg på å demontere balanseblokken, forsikre seg om at trommelen fjær (27) ikke er belastet. Fjæren er balanseblokkens eneste farlige del. Den befinner seg i trommelen (27) og er allerede smurt av produsenten for hele funksjonstiden. Ved skifte leveres enheten fjær-trommel (27) hel: **uansett motiv må fjæren aldri fjernes.**

En må aldri demontere enheten med fjæren siden denne operasjonen er svært farlig.

Demontering og kontroll av balanseblokken

- Fjerne skruene (1); heve dekslet (11); spole wiren helt av (28);
- kontrollere enheten fjær - trommel (27); dersom den innvendige fjæren er ødelagt, dersom rillene i sporet til wiren er skadde, må hele enheten skiftes ut. Fjær - trommelenheten (27) leveres hel, allerede smurt, med lager og må ikke åpnes av en hvilken som helst grunn.
- Kontrollere wiren (28); dersom den viser tegn til skade, slik det illustreres i (Fig.5), må den skiftes ut;
- Kontrollere at alle de kinematiske sperrene (6 og 13) fungerer som de skal, kontrollere skruen (9) som må bevege seg langs akselen og rotere, kontrollere at fjærene er effektive (7-8-12).

Montering av balanseblokken:

- Kontrollere den frie bevegelsen ved stans (23);

- dersom en finner balanseblokken med wiren helt uttrekt uten last, må en IKKE gripe inn, men øyeblikkelig ta kontakt med kundeservicen;

Justering av balanseblokken

For å gjøre balanseblokken i stand til å balansere/utligne tyngre last, vri skruen 9 (Fig. 4) i retningen som indikeres ved tegnet "+" og en dertil egnet nøkkel. For lettere last skal skruen 9 (Fig. 4) vris, ved hjelp av den samme nøkkelen, i retningen som indikeres ved tegnet "-".

Etter justeringen avhengig av lastens vekt, kontrollere at wiren beveger seg fritt over hele sin lengde. Bevegelsen må ikke begrenses fordi fjæren er fullstendig spent. Kontrollere hele bevegelsen flere ganger ved forskjellige hastigheter.

MERK: en redusering i balanseblokkens evne til å tåle vekten til lasten som er hengt opp på den, kan bety at fjæren til trommelen holder på å bli ødelagt. EN MÅ IKKE FORANDRE REGULERINGEN AV BALANSEBLOKKEN SLIK AT LASTEN LIKEVEL TÅLES, MEN ØYEBLIKKELIG TA KONTAKT MED SPESIALISERT PERSONAL SOM ER ANSVARLIG FOR VEDLIKEHOLDET.

Sikkerhetsutstyr

Dersom trommelen er ødelagt

Balanseblokken er utstyrt med sikkerhetsutstyr som griper inn dersom fjæren i trommelen ødelegges og blokkerer funksjonen og hindrer dermed at lasten som henger på blokken faller ned.

Dersom det viser seg å være umulig å senke eller løfte verktøyet som henger på balanseblokken med ordinær styrke, **må en IKKE gripe inn men heller ta kontakt med kundeservicen.**

MERK: balanseblokken blokkerer seg også dersom fjæren i trommelen er helt uten trykk: i dette tilfellet vil hodet til trykkskruen 9 (Fig.4) stikke ut omtrent 4 mm utenfor dekslet. For å gjenopprette balanseblokkens funksjon, prøve å trekke opp fjæren slik det beskrives i avsnittet "Regulering av balanseblokken"; dersom balanseblokken ikke frigjøres **må en IKKE gripe inn, men heller ta kontakt med kundeservicen.**

Manuell blokkering

Balanseblokken er utstyrt med et system for manuell blokkering (Fig.2): trykke og dreie knotten 6 (Fig.2) 90° (posisjon A) for å blokkere rotasjonen til trommelen; trykke og dreie knotten 6 (Fig.2) 90° (posisjon B) for at balanseblokken skal fungere normalt.

ADVARSEL: forlate aldri balanseblokken dersom trommelen er blokkert og balanseblokken er uten last;

ADVARSEL: dersom en oppdager at kabelaen til balanseblokken ikke er fullstendig spolet opp og balanseblokken er uten last, må en IKKE gripe inn, men heller ta øyeblikkelig kontakt med kundeservicen.

OPSJON "RI", det roterende oppheng er isolert for spenning (Fig.3)

Gjør det mulig å kople fra strømtilførselen fram til lasten som henger på balanseblokken og/eller rotere verktøyet som henger på balanseblokken fritt uten at wiren hoper seg opp.

ADVARSEL: en må alltid respektere de lover og regler som gjelder med hensyn til sikkerhet og bruk av elektriske apparat.

Installasjon: innføre karabinkroken (29) i bolten E til det roterende oppheng. Innføre wirens ring (28) i bolten F; innføre sikringsringen (D) og omform den.

KONTROLL OG VEDLIKEHOLD

Vedlikeholdet kan kun utføres av spesialisert og autorisert personal.

- Med jevne mellomrom må balanseblokken kontrolleres visuelt (for eksempel ved hvert arbeidsskift), spesielt må tilstanden til opphengene (33) og S (Fig. 1) kontrolleres, i tillegg til skruene som fester og de selvlåsende systemene (dersom disse brukes), og tilstanden til krokene og wiren.

Dersom wiren viser tegn til slitasje slik det er vist i Fig.5, må den skiftes ut øyeblikkelig.

En må ikke utføre noen som helst forandringer på enheten til wiren, og absolutt IKKE

FORKORTE den: Ta kontakt med Chicago Pneumatic, dersom det er nødvendig.

- Kontrollere at bevegelsene til wiren er myke og at det ikke finnes unormale lyder;

- Balanseblokken må ikke smøres med brennbare eller kondenserbare væsker ;

- En må ikke fjerne noen av etikettene. Skiltene må skiftes ut dersom de viser tegn på slitasje;

- **Minst én gang i året må balanseblokken kontrolleres av spesialisert og autorisert personal.**

Balanseblokken må aldri demonteres. Vedlikeholdet må kun utføres av spesialisert og autorisert personal.

Når balanseblokken er utslitt, må den avfallsbehandles i overensstemmelse med gjeldende forskrifter.

Garanti

Benyttes det reservedeler som ikke er originale levert fra Chicago Pneumatic, kan dette ha negative virkninger på sikkerheten, på ytelsesevnen og uansett vil det føre til at garantien ikke lenger gjelder.

- Plassere den lille platen (25) på enden av wiren (28) og blokkere den ved hjelp av skruene (26)

- Rulle opp wiren på skråttannhullet til trommelen (27) vær oppmerksom på at den skal innføres mekanismen for stans (23) og fortsette med monteringen;

- Montere dekslet (11) på akselen (22), plassere dekslet (38) og lukke nøye igjen; skruene (1) festes med et dreiemoment lik 3 Nm;

- Etter at monteringen er utført, trekkes fjæren til enheten opp (27) ved hjelp av skruene (9) inntil hodet til skruen (9) er inne i dekslet 11 (Fig. 4);

- Installere balanseblokken ved å følge instruksene i "Balanseblokkens brukerveiledning".

Dersom trommelen er ødelagt

- Dersom balanseblokken er blokkert, kontrollere at fjæren i trommelen ikke er helt uten trykk (tilstand som medfører blokkering på samme måte som om fjæren hadde vært ødelagt). Dersom en ikke klarer å trekke opp balanseblokken ved å følge framgangsmåten som er beskrevet i avsnittet "Regulering av balanseblokken", **betyr dette sannsynligvis at fjæren i trommelen er ødelagt.**

ADVARSEL: før en utfører en hvilken som helst type kontroll, må en forsikre seg om at fjæren virkelig ikke er uten trykk.

ADVARSEL - FARE: uansett hva som skjer, må en aldri forsøke å åpne trommelen og/eller forsøke å skifte fjæren. Denne operasjonen er svært farlig å kan føre til alvorlig skade.

ADVARSEL - FARE: avfallsbehandle trommelen med den ødelagte fjæren i overensstemmelse med gjeldende foreskrifter. IKKE la den bli liggende og ikke levere den sammen med annet avfall og/eller skrot. Dersom trommelen åpnes, enten tilfeldig eller med hensikt, kan fjæren være SVÆRT FARLIG og påføre alvorlig skade.

En må kun benytte originale reservedeler fra Chicago Pneumatic Ved etterspørsel etter reservedeler, bes kunden henveide seg til forhandleren av apparatet eller direkte til produsenten og spesifisere hvilke data som står skrevet på maskinens identifikasjonsskilt.

Drifts- och säkerhetsinstruktioner

Balansblocket måste installeras innan den sätts i bruk. Detta arbete skall utföras med respekt av innehållet i denna bruksanvisning och utföras av fackmän: en felaktig installation kan orsaka skador på person och/eller föremål.

Denna bruksanvisningen innehåller viktig information för att kunna använda utrustningen under säkra förhållanden. Se till att ni förstått alla instruktioner innan balansblocket tas i bruk. Bristande respekt av dessa föreskrifter kan ge skador.

Balansblocket har tillverkats i enlighet med standarder inom den Europeiska unionen och med EC märkning på produkten som appliceras då den kommer ut på marknaden.

Avsedd användning

Balansblocken har tillverkats som motivik för att balansera verktyg och utrustning i allmänhet och skall endast användas av en operatör i taget. Balansblocket kan användas längs en monteringskedja vid enenskilda arbeten.

Reservad för en professionell användning.

Det är nödvändigt att använda, kontrollera och bevara balansblocket i enlighet med standarder för balansblock, utrustning och arbetsplats.

Ej avsedd användning

Använd inte balansblocket i explosionsfarlig miljö.

Låt inte minderåriga använda balansblocket.

Man får inte arbeta, passera eller uppehålla sig under balansblocket.

Man skall alltid följa alla normer och lagar vid användning av balansblocket.

Chicago Pneumatic är inte ansvariga mot kunder som använder balansblocket för andra ändamål.

Val av balansblock

Beräkna den totala lasten som skall balanseras: verktyg, tillbehör och delar av rör eller wire som stöds av balansblocket. Den totala lasten som skall utbalanseras måste ligga inom balansblockets minimala och maximala kapacitet.

Drifttagande av balansblocket

Utvärdera alltid arbetsområdets vidd och om det är lämpligt så sätt fast balansblocket på en vagn för att tillåta en korrekt användning i ett större område för att på så vis kunna utföra ett lämpligt arbete.

Om man använder skruvar så måste man även kontrollera självlysande system, sprinten eller andra säkerhetssystem.

Anslut alltid säkerhetsupphängningen S genom att enbart använda tillbehören som ingår (Fig.1) för ett lämpligt dimensionerat stöd. Säkerhetsstödet FÄR INTE VARA detsamma som används för huvudupphängningen 33 (Fig.1). Maximalt fall om huvudupphängningen skulle gå sönder får inte vara mer än 100 mm. Dra åt muttrarna på tvingen 20331 (Fig. 1) med ett vridmoment på 4 Nm.

För att undvika onormala händelser så skall lasten appliceras lodrätt och i vilket fall som helst så måste wiren vara fri att sättas sig i linje med lasten.

Användning av balansblocket

Greppa verktyget som är fastsatt till balansblocket och utför efterfrågat arbete; följ sedan verktyget till en position i jämvikt lodrätt till balansblocket och släpp det sedan.

Balansblockets last skall hängas på kroken 29 (Fig.4). Se till att kroken är stängd efter att man har satt fast lasten.

Wireavrullningen under arbetet får inte vara total: minst 100 mm slag måste finnas kvar innan banans slut (balansblocken CP9954-CP9959 är utrustade med ett automatiskt säkerhetssystem för stopp vid slutet av banan).

Om det är nödvändigt så flytta och blockera tvingen 42 Fig.4 för att begränsa det uppgående slaget.

Vid arbete med balansblocket så använd alltid säkerhetsutrustning och kläder och följ alla gällande lagar för förebyggande av olyckor på arbetsplats.

Det är absolut förbjudet att:

- Släppa lasten i en ej lodrät position
- Slänga upphängd last till en annan operatör
- Flytta lasten genom att dra i balansblockets wire
- Sätta fast laster som är tyngre eller lättare än tillåten kapacitet
- Sätta fast mer än ett verktyg på balansblocket

Den enda risken som finns vid användning av balansblocket består av en eventuell okontrollerad upprullning av wiren: för att undvika att denna extremt farliga händelse inträffar så måste man följa nedanstående dispositioner:

- vid tekan om rätt användning av balansblocket så INNAN man utför någon slags kontroll så håll i verktyget som satts dit så att det inte trillar i marken och se till att FJÄDERN ABSOLUT INTE ÄR BELASTAD.
- om wiren av något skäl inte rullas upp av balansblocket, så ingrip INTE utan kontakta omedelbart en servicetekniker.
- haka aldrig loss lasten om wiren inte har lindats upp helt och hållet i cylindern.

UNDERHÅLLSARBETE PÅ BALANSBLOCKET

sektion som ENDAST är avsedd för underhållspersonal

VISSA ARBETEN SOM BESKRIVS I DENNA SEKTION ÄR MYCKET FARLIGA OCH KAN ORSAKA SKADOR PÅ PERSONER OM DESSA INTE FÅTT EN LÄMPLIG UTBILDNING. FÖR ATT INSTALLERA, JUSTERA OCH ANVÄNDA BALANSBLOCKET SÅ HÄNVISAS TILL BRUKSANVISNINGEN.

Underhållsarbete

Balansblockets dimensioner är sådana att inget underhållsarbete krävs under dess livslängd. Om det på grund av något särskilt skäl skulle krävas ett ingrepp, så innan man börjar demontera balansblocket så se till att enheten cylinder och fjäder (27) inte är belastad.

Fjäders är den enda komponenten som är farlig på balansblocket. Den finns inuti cylindern (27) och som redan är smord för hela dess livslängd. Reservdelen fjäder-cylinder (27) levereras komplett: **fjäders får inte av något skäl dras ut.**

Demontera aldrig fjädern då detta är ett farligt arbete.

Demontering och inspektion av balansblocket

- Ta bort skruvarna (1); lyft på kapseln (11); rulla ut wiren helt och hållet (28);
- Kontrollera enheten fjäder-cylinder (27): om fjädern inuti är trasig, om skärmorna där wiren löper är skadade, så måste man byta ut hela enheten. Enheten fjäder-cylinder (27) levereras sammansatt, smörd och komplett med lager och man får aldrig av något skäl öppna den.
- Kontrollera wiren (28): om det finns defekter som visas i (Fig.5) så skall den bytas ut;
- Kontrollera en riktig funktion av kinematiska delar för stoppenheterna (6 och 13), kontrollera skruven (9) som skall löpa axiellt och rotera, kontrollera att fjäderna (7-8-12) är effektiva.

Montering av balansblocket:

- Kontrollera en fri rörelse för stoppet (23);
- Sätt dit plattan (25) vid wirens ände (28) och blockera den med skruvarna (26)
- Rulla upp wiren i cylinderns spiralformade utrymme (27) och var noggrann så att

- om balansblocket står med wiren utrullad utan att någon last satts dit så ingrip INTE utan kontakta omedelbart en servicetekniker.

Justering av balansblocket

För att låta balansblocket balansera tyngre laster så vrid skruven 9 (Fig. 4) med den avsedda nyckeln i riktningen som indikeras av tecknet "+". För lättare laster så vrid skruven 9 (Fig. 4) med nyckeln i riktningen som indikeras av tecknet "-".

Efter justering av lasten så kontrollera att wiren löper fritt längs hela dess längd: rörelsen får inte begränsas av en komplett upprullning av fjädern. Kontrollera banan flera gånger med olika hastigheter.

ANMÄRKNING: en reduktion av balansblockets kapacitet för att orka med den upplyfta lasten kan innebära att cylinderns fjäder håller på att gå sönder. MODIFIERA INTE JUSTERINGEN AV BALANSBLOCKET FÖR ATT UTBALANSERA LASTEN UTAN KONTAKTA OMEDELBAR DE FACKMÄN SOM AUTKORISERATS ATT UTFÖRA UNDERHÅLLSARBETET.

Säkerhetssystem

Trasig cylinder fjäder

Balansblocket är utrustat med ett säkerhetssystem som ingriper om cylinderfjäders skulle gå sönder och som då blockerar funktionen så att upphängd last inte trillar ner.

Om det inte är möjligt att låta det upphängda verktyget sjunka eller stiga med normal kraft så ingrip **INTE utan kontakta en servicetekniker.**

ANMÄRKNING: balansblocket blockeras även om cylinderfjäders är helt och hållet obelastad; under dessa förhållanden så kommer huvudet för skruven 9 (Fig. 4) att sticka ut cirka 4 mm från kapseln; för att återställa funktionen så prova att belasta fjädern såsom beskrivs i paragrafen "Justering av balansblocket"; om balansblocket inte friställs så ingrip INTE utan kontakta en servicetekniker.

Manuell blockering

Balansblocket är utrustat med ett manuellt blockeringssystem (Fig.2): **skjut och rotera stiftet 6 (Fig.2) 90°(position A) för att blockera cylinderns rotation, skjut och rotera stiftet 6 (Fig.2) 90°(position B) för att tillåta en normal funktion.**

VIKTIGT: lämna inte balansblocket med blockerad cylinder utan att det finns någon last upphängd;

VIKTIGT: om balansblocket står med en wire som inte är upprullad helt och hållet och det inte finns någon last upphängd så ingrip INTE utan vänd er omedelbart till en servicetekniker.

TILLVAL "RI", isolerad roterande upphängning (Fig.3)

Gör det möjligt att elektriskt isolera lasten som är upphängd på balansblocket och/eller rotera det upphängda verktyget utan att vrida wiren.

VIKTIGT: man måste alltid respektera säkerhetsstandarder som gäller för elektrisk utrustning.

Installation: sätt in haken (29) i stiftet E för den roterande upphängningen. För in wirens hylsa (28) i stiftet F; för in sprinten (D) och deformera den.

INSPEKTIONER OCH UNDERHÅLLSARBETE

Underhållsarbete får endast utföras av fackmän som har auktoriserats.

- Balansblocket skall regelbundet undersökas (till exempel en gång per arbetsskift), särskilt så skall man undersöka de övre fästena A och (33) (Fig. 1), fixeringskruvar och självlysande system (om det används), kontrollera även krokarna och wire.

Om wiren har några defekter såsom visas i Fig.5 så skall det omedelbart bytas ut. Utför inga modifieringar på wiren enheten och KORTA ALDRIG AV wiren: om detta skulle vara nödvändigt så kontakta Chicago Pneumatic.

- Kontrollera att wirens rörelse är mjuk och inga onormala ljud finns

- Smörj inte balansblocket med flammfarliga eller flyktiga vätskor

- Ta inte bort några etiketter. Byt ut alla etiketter som förstörts

- **Åtminstone en gång om året så skall balansblocket kontrolleras av fackmän som auktoriserats.**

Man får aldrig demontera balansblocket. Underhållsarbete skall endast utföras av fackmän som auktoriserats.

När balansblockets livslängd är förbrukad så måste den lämnas till återvinning i enlighet med gällande föreskrifter.

Garanti

Att använda ej original reservdelar som inte kommer från Chicago Pneumatic kommer negativt att påverka säkerheten, prestationerna och gör i vilket fall som helst att **garantin upphör att gälla.**

den sätts in i stoppet (23) och fortsatt med monteringen;

- Montera dit kapseln (11) på axeln (22), koppla till kapseln (38) och stäng ordentligt; skruvarna (1) skall dras åt med ett vridmoment på 3 Nm;

- När monteringen slutförts så belasta fjädern för enheten (27) med skruven (9)

ända tills skruvens huvud (9) förs in i kapseln 11 (Fig. 4);

- Installera balansblocket genom att följa instruktionerna i "Balansblockets bruksanvisning".

Trasig cylinder fjäder

Om balansblocket blockeras så kontrollera att cylinderns fjäder inte är helt obelastad (förhållande som orsakar blockering som om fjädern vore trasig); om man inte lyckas belasta balansblocket genom att utföra proceduren som beskrivs i paragraf "Justering av balansblocket" **så innebär detta att cylindern fjädern troligtvis är trasig.**

VIKTIGT: innan man utför några slags kontroller så se till att fjädern är helt och hållet obelastad.

VIKTIGT - FARA: man får aldrig öppna cylindern och/eller försöka byta ut fjädern: detta arbete är jättefarligt och kan orsaka allvarliga skador.

VIKTIGT - FARA: ta cylindern med trasig fjäder till återvinning i enlighet med gällande föreskrifter; Släng den INTE i miljön eller tillsammans med annat avfall och/eller skrot då den av en olyckshändelse kan öppnas, vilket är MYCKET FARLIGT och kan orsaka allvarliga skador.

Använd endast original reservdelar från Chicago Pneumatic Vid förfrågan av reservdelar så ber vi kunden att vända sig till den leverantör som ni beställt utrustningen av eller direkt till tillverkaren, genom att specificera den identifieringsdata som sitter på maskinens märkplåt.



Original Instructions

Copyright 2010, Chicago Pneumatic Tool Co. LLC

All rights reserved. Any unauthorized use or copying of the contents or part thereof is prohibited. This applies in particular to trademarks, model denominations, part numbers and drawings. Use only authorized parts. Any damage or malfunction caused by the use of unauthorized parts is not covered by Warranty or Product Liability.

MANUFACTURER'S LIMITED WARRANTY

Limited Warranty: The "Products" of the Chicago Pneumatic Tool Co. LLC ("CP") are warranted to be free from defects in material and workmanship for one year from the date of purchase. This Warranty applies only to Products purchased new from CP or its authorized dealers. Of course, this Warranty does not apply to products which have been abused, misused, modified, or repaired by someone other than CP or its Authorized Service Representatives. If a CP Product proves defective in material or workmanship within one year after purchase, return it to any CP Factory Service Center or Authorized Service Center for CP tools, transportation prepaid, enclosing your name and address, adequate proof of date of purchase, and a short description of the defect. CP will, at its option, repair or replace defective Products free of charge. Repairs or replacements are warranted as described above for the remainder of the original warranty period. CP's sole liability and your exclusive remedy under this Warranty is limited to repair or replacement of the defective Product. **(There Are No Other Warranties Expressed Or Implied And CP Shall Not Be Liable For Incidental, Consequential, Or Special Damages, Or Any Other Damages, Costs Or Expenses Excepting Only The Cost Or Expense Of Repair Or Replacement As Described Above.)**



Instructions originales

Copyright 2010, Chicago Pneumatic Tool Co. LLC

Tous droits réservés. Toute utilisation ou reproduction non autorisée du contenu ou d'une partie du contenu est interdite. Cette restriction s'applique en particulier aux marques de commerce, dénominations de modèle, numéros de pièce et plans. N'utiliser que des pièces autorisées. Aucun dégat ou défaut de fonctionnement résultant de l'utilisation de pièces non autorisées n'est couvert par la Garantie ou la Responsabilité de produits.

LIMITES DE LA GARANTIE DU FABRICANT

Limitation de garantie: Les "Produits" de la société Chicago Pneumatic Tool Co. LLC ("CP") sont garantis contre tous vices de matériel et de fabrication pour une période d'un an à partir de la date d'achat. Ladite garantie s'applique uniquement aux produits achetés auprès de Chicago Pneumatic et de ses revendeurs agréés. En sont exclus les produits soumis à un usage impropre ou abusif, modifiés ou réparés par des personnes non employées par Chicago Pneumatic ou ses unités de service agréés. Si un produit Chicago Pneumatic présente un vice de matériel ou de fabrication, renvoyez-le au centre de service Chicago Pneumatic ou au centre agréé de votre choix en port payé, en indiquant vos nom et adresse et en incluant un justificatif de la date d'achat ainsi qu'une brève description du défaut. Chicago Pneumatic remplacera ou réparera gratuitement, à sa discrétion, le produit défectueux. Les réparations ou produits de remplacement seront garantis selon les termes ci-dessus pour le reste de la durée de la garantie d'origine. La responsabilité de Chicago Pneumatic et vos prétentions concernant la présente garantie se limitent à la réparation ou au remplacement du produit mis en cause. **(Toute autre garantie, implicite ou explicite est exclue. Chicago Pneumatic ne peut en aucun cas être tenu responsable des dommages accidentels, indirects ou autres, ni des frais encourus à l'exception du coût de la réparation ou du remplacement dans les cas stipulés ci-dessus.)**



Ursprüngliche Betriebsanleitung

Copyright 2010, Chicago Pneumatic Tool Co. LLC

Alle Rechte vorbehalten. Jede nicht ausdrücklich genehmigte Verwendung oder Vervielfältigung des Inhalts, ob ganz oder auszugsweise, ist untersagt. Dies gilt insbesondere auch für Handelsmarken, Modellbezeichnungen, Teilenummern und Zeichnungen. Nur vom Hersteller zugelassene Ersatzteile benutzen! Schäden oder Funktionsstörungen, die durch die Verwendung nicht vom Händler genehmigter Teile bedingt sind, sind nicht durch die Garantie bzw. Produkthaftung abgedeckt.

BEFRISTETE HERSTELLERGARANTIE

Befristete Garantie: Die Chicago Pneumatics Tool Co. LLC (im folgenden "CP") garantiert für ein Jahr ab Kaufdatum, daß die "Produkte" frei von Material- und Verarbeitungsschäden sind. Die Garantie gilt nur für Produkte, die neu von CP oder einem autorisierten Händler gekauft wurden. Die Garantie erlischt für Produkte, die unsachgemäß eingesetzt oder behandelt, modifiziert oder von einer Person, die nicht CP oder einem von CP autorisierten Kundendienst-Center angehört, repariert wurden. Falls ein CP-Produkt innerhalb eines Jahres nach dem Kauf Material- oder Verarbeitungsfehler aufweist, senden Sie es unter Vorauszahlung der Transportkosten an das Kundendienst-Center des CP Werks oder ein autorisiertes Kundendienst-Center für CP-Werkzeuge. Fügen Sie Ihren Namen und Ihre Anschrift, einen Kaufnachweis sowie eine kurze Beschreibung des Fehlers bei. CP behält sich die Entscheidung vor, ob fehlerhafte Produkte kostenfrei ersetzt oder repariert werden. Reparatur oder Ersatz eines fehlerhaften Produktes verlängern die ursprüngliche Garantiedauer nicht. Die Haftung von CP und Ihre Rechte aus dieser Garantie sind auf die Reparatur oder den Ersatz des fehlerhaften Produkts beschränkt. **(CP übernimmt keine weitere ausdrückliche oder stillschweigende Gewährleistung. CP übernimmt keinerlei Haftung für mittelbare oder unmittelbare Folgeschäden oder Kosten mit Ausnahme der beschriebenen Reparatur- oder Ersatzleistungen.)**



Opprinnelige instruksjoner

Copyright 2010, Chicago Pneumatic Tool Co. LLC

Med enerrett. Uautorisert bruk eller ettertrykk av innholdet eller deler av dette, er forbudt. Dette gjelder særlig varemerker, modellbetegnelser, delenumre og tegninger. Bruk bare originaldeler. Skade eller funksjonsfeil forårsaket av at det er brukt originale deler dekkes ikke av garantien eller Chicago Pneumatics produktansvar.

BEGRENSET GARANTI FRA PRODUSENTEN

Begrenset garanti: "Produktene" fra Chicago Pneumatic Tool Co. LLC ("CP") garanteres å være fri for mangler i materialer og utførelse i ett år fra kjøpsdato. Denne garantien omfatter selvsagt ikke produkter som har blitt utsatt for misbruk, feil bruk eller modifikasjoner, eller som har blitt reparert av andre enn CP eller CPs autoriserte vedlikeholdsrepresentanter. Dersom et produkt fra CP er funnet å være mangelfullt i materiale eller utførelse innen ett år fra kjøpsdato, skal det returneres til et av CPs fabrikk-vedlikeholdssentre eller til et autorisert vedlikeholdssenter for CP-verktøy, med forhåndsbetalt frakt, ditt navn og adresse vedlagt, tilstrekkelig bevis for kjøpsdato, og en kort beskrivelse av feilen. CP reparerer eller erstatter etter eget skjønn defekte produkter kostnadsfritt. Reparasjoner og erstattede deler garanteres som beskrevet ovenfor i resten av den opprinnelige garantiperioden. Under denne garantien er CPs ansvar og din godtgjørelse kun begrenset til reparasjon eller erstatning av det defekte produktet. **(Den ovennevnte garantien gjelder i stedet for alle andre garantier eller vilkår, det være seg uttrykte eller underforståtte, inkludert alle garantier eller vilkår angående salgbarhet eller siktetsmessighet for et bestemt formål. CP skal ikke holdes ansvarlig for tilfældige, indirekte eller bestemte skader, eller andre skader, kostnader eller utgifter, det være seg direkte eller indirekte, med unntak av det ansvar som er spesifisert ovenfor.)**



Instrucciones originales

Copyright 2010, Chicago Pneumatic Tool Co. LLC

Derechos reservados. Cualquier uso o copiado no autorizado del contenido o parte del mismo está prohibido. Esto corresponde en particular a marcas comerciales, denominaciones de modelos, números de partes y dibujos. Utilice partes autorizadas únicamente. La garantía o responsabilidad de productos no cubre ningún daño o defecto causado por el uso de partes no autorizadas.

GARANTÍA LIMITEADA DEL FABRICANTE

Garantía Limitada: Los "Productos" de Chicago Pneumatic Tool Co. LLC ("CP") están garantizados contra todo defecto de material y mano de obra durante un año a partir de la fecha de adquisición. Esta garantía se aplica solamente a los productos nuevos adquiridos de CP o de sus representantes autorizados. Es evidente que esta Garantía no se aplica a los productos maltratados, mal empleados, modificados o reparados por personal ajeno a CP o sus representantes de servicios autorizados. Si un producto CP presenta algún defecto de material o de mano de obra dentro de un año después de la compra, devuélvalo a cualquier centro de servicio de fábrica CP o cualquier centro de servicio autorizado para herramientas CP, con el transporte pagado, incluyendo su nombre y dirección, una prueba adecuada de la fecha de adquisición y una breve descripción del defecto. CP reparará o sustituirá gratuitamente, según su criterio, los productos defectuosos. Esta Garantía cubrirá todas las reparaciones o sustituciones de productos que tengan lugar dentro del plazo de garantía original. La única responsabilidad de CP y la compensación exclusiva al usuario en esta Garantía se limita a la reparación o sustitución del producto defectuoso. **(No Existe Ninguna Otra Garantía, Expresa O Implícita, Y CP No Podrá Ser Considerado Responsable De Ningún Daño Incidental, Consecuencial O Especial, O Cualquier Otro Daño, Costos O Gastos Con La Única Excepción Del Costo O Gasto De Reparación O Sustitución Como Se Ha Descrito Anteriormente.)**



Istruzioni originali

Copyright 2010, Chicago Pneumatic Tool Co. LLC

Tutti i diritti riservati. Qualsiasi voglia uso non autorizzato o copia del contenuto o di parte del contenuto è proibito. Questo vale in particolare modo per i marchi registrati, le descrizioni dei modelli, i numeri delle parti e i grafici. Si consiglia l'utilizzo di parti originali non è coperto da garanzia o da responsabilità per danni causati da prodotto difettoso.

GARANZIA LIMITATA DEL FABRICANTE

Garanzia Limitata: La Chicago Pneumatic Tool Co. LLC ("CP") garantisce che i suoi prodotti (i "Prodotti") saranno esenti da difetti di materiale e di fabbricazione per un anno a decorrere dalla data di acquisto. La garanzia è valida solo per i Prodotti acquistati nuovi presso la CP o i rivenditori autorizzati. Questa garanzia non è valida se i Prodotti CP sono stati usati in modo improprio, manomessi, modificati o riparati da persone diverse dal personale CP o di un Centro di assistenza CP. Nel caso in cui uno dei Prodotti CP presenti entro un anno dalla data di acquisto difetti di materiale o di fabbricazione, recapitarlo a un Centro di assistenza CP con le spese di trasporto pagate, allegando il proprio nome e indirizzo, la prova della data di acquisto e una breve descrizione del difetto rilevato. La CP riparerà o sostituirà gratuitamente, a sua discrezione, i Prodotti difettosi senza alcuna spesa da parte dell'acquirente. Eventuali riparazioni o sostituzioni sono garantite come descritto sopra per il resto del periodo di garanzia originario. La garanzia è limitata alla riparazione o alla sostituzione del prodotto difettoso. **(Non vi sono altre garanzie esplicite o implicite e inoltre la CP non sarà responsabile di danni incidentali, indiretti o speciali o per altri danni, costi o spese eccezionali fatta per i costi o le spese di riparazione o di sostituzione come descritto sopra.)**



Originele instructies

Copyright 2010, Chicago Pneumatic Tool Co. LLC

Alle rechten voorbehouden. Onbevoegd gebruik of kopiëren van de inhoud of een deel daarvan is verboden. Dit geldt in het bijzonder voor handelsmerken, modelbenamingen, onderdeelnummers en teken. Gebruik uitsluitend goedgekeurde onderdelen. Schade of storingen, veroorzaakt door het gebruik van niet-goedgekeurde onderdelen, worden niet door de garantie of productaansprakelijkheid gedekt.

BEPERKTE GARANTIE VAN DE FABRIKANT

Beperkte Garantie: De "Producten" van de Chicago Pneumatic Tool Co. LLC ("CP") zijn gegarandeerd vrij van fouten in materiaal en afwerking tot een jaar na aankoop. Deze Garantie geldt alleen voor Producten die nieuw zijn gekocht bij CP of geautoriseerde dealers. Deze Garantie is niet van toepassing op producten die verkeerd dan wel oneigenlijk zijn gebruikt of zijn gewijzigd, of zijn gerepareerd door anderen dan CP of geautoriseerde servicediensten. Als een Product van CP binnen een jaar na aankoop gebreken vertoont in materiaal of afwerking, kunt u het inleveren bij een CP-Bedrijfs servicedienst of erkende servicedienst van CP-gereedschappen, met vooruitbetaling van transportkosten, onder vermelding van uw naam en adres, bewijs van aankoop met aankoopdatum en een korte beschrijving van het mankement. CP zal, naar eigen goeddunken, defecte Producten kosteloos repareren of vervangen. Reparaties of vervangingen zijn als hierboven beschreven gegarandeerd voor de rest van de oorspronkelijke garantietermijn. De enige aansprakelijkheid van CP en uw rechten op grond van deze garantie zijn beperkt tot reparatie of vervanging van het defecte Product. **(Er Worden Geen Andere Garanties Bedoeld Of Geïmpliceerd En CP Is Niet Aansprakelijk Voor Incidentele, Indirecte Of Speciale Schade, Of Enige Andere Schade, Kosten Of Uitgaven, En Vergoedt Alleen De Kosten Of Uitgaven Voor Reparatie Of Vervanging Zoals Hierboven Beschreven.)**



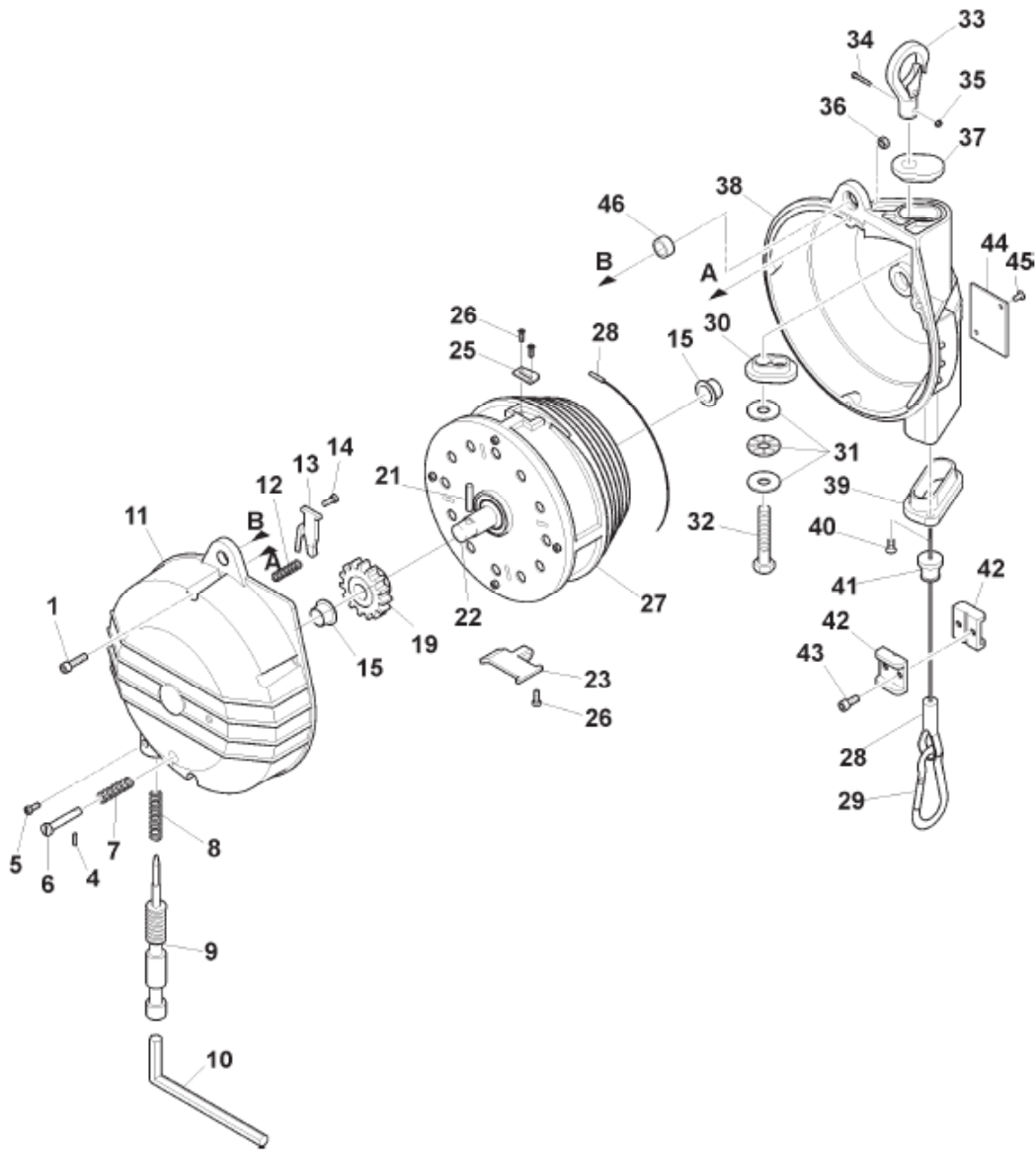
Originalinstruktioner

Copyright 2010, Chicago Pneumatic Tool Co. LLC

Alla rättigheter förbehålls. All icke auktoriserad användning eller kopiering av innehållet eller del därav är förbjudet. Detta gäller speciellt för varumärken, modellbenämningar, artikelnummer och ritningar. Använd endast auktoriserade delar. All skada eller felaktig funktion orsakat av användning av icke auktoriserade delar täcks ej av garanti eller produktansvarighet.

TILLVERKARENS BEGRÄNSEDE GARANTI

Begränsad garanti: Chicago Pneumatic Tool Co. LLC ("CP") produkter garanteras vara fria från defekter i material och utförande i ett år från inköpsdatum. Denna garanti gäller endast produkter inköpta från CP eller dess auktoriserade återförsäljare. Denna garanti gäller givetvis inte produkter som har använts på felaktigt sätt, missbrukats, modifierats eller reparerats av annan än CP eller dess auktoriserade servicerepresentanter. Om en av CP:s produkter visar sig vara defekt med avseende på material eller utförande inom ett år efter inköp ska den returneras till ett CP fabrikksservicecenter eller auktoriserat servicecenter för CP-verktyg, frakten betald, tillsammans med ert namn och adress, bevis avseende inköpsdatum och en kort beskrivning av defekten. CP kommer enligt eget gottfinande att reparera eller byta ut defekta produkter utan kostnad. Reparationer och utbyten är garanterade såsom beskrivs ovan för återstoden av den ursprungliga garantiperioden. CP:s enda ansvar och er enda gottgörelse enligt denna garanti är begränsad till reparation eller utbyte av den defekta produkten. **(Den ovan nämnda garantin ges med utslutande av alla andra garantier eller villkor, uttryckta eller underförstådda, CP ska inte hållas ansvarig för oavsiktliga skador, följdskador eller speciella skador, eller några andra skador, kostnader eller utgifter, utom kostnader eller utgifter för reparation eller utbyte såsom angivits ovan.)**



Index No.	Part No.	Description	Qty.	Index No.	Part No.	Description	Qty.
1		Screw	4	28	8950400216	Wire Complete	1
4		Pin	1	29	8950400005	Hook	1
5		Screw	1	30		Guide	1
6		Pin	1	31		Ball Bearing	1
7		Spring	1	32		Screw	1
8		Spindle	1	33		Hook	1
9		Spring	1	34		Screw	1
10		Hex. Wrench 6mm	1	35		Nut	1
11		Housing	1	36		Nut	4
12		Spring	1	37		Guide	1
13		Lever	1	38		Housing	1
14		Screw	1	39		Guide	1
15		Bushing	2	40		Screw	2
19		Gear 51x16	1	41		Stopper	1
20		Ball Bearing	2	42		Clamp	2
21		Pin	1	43		Screw	2
22		Spindle	1	44		Nameplate	1
23		Safety Plate	1	45		Pin	2
25		Clamp	1	46		Bushing	1
26		Screw	2			Clamp	1
27	8950400210	Spring-Drum Assy CP9954	1			Wire	1
	8950400211	Spring-Drum Assy CP9955	1		6158727980	Safety Label	1
	8950400212	Spring-Drum Assy CP9956	1				
	8950400213	Spring-Drum Assy CP9957	1		8940168616	Small Parts Kit	
	8950400214	Spring-Drum Assy CP9958	1			(Incl: 1, 4, 6, 7, 36, 37, 39)	
	8950400215	Spring-Drum Assy CP9959	1				

(2) We :
(Fr) *Nous*

CHICAGO PNEUMATIC Tool Co. LLC
1800 Overview Drive
Rockhill, SC 29730 - USA

(3) Technical file available from EU headquarter.
(Fr) *Dossier technique disponible auprès du siège social*

B. Blanchet CP manager
CP Technocenter
38, rue Bobby Sands - BP10273
44800 Saint Herblain - France

(4) declare that the product(s):
(Fr) *déclarons que les produits*

Balancer
Equilibreur (Fr)

(5) Machine type(s) :
(Fr) *type(s)*

CP9911, CP9912, CP9913
CP9920, CP9921, CP9922, CP9923
CP9936, CP9937, CP9938, CP9939, CP9940
CP9946, CP9947, CP9948, CP9949, CP9950
CP9954, CP9955, CP9956, CP9957, CP9958, CP9959
CP9964, CP9965, CP9966, CP9967, CP9968, CP9969
CP9970, CP9971

0000001 ≤ Serial # < 9999999
--

(6) Origin of the product : Italy
(Fr) *Origine du produit*

(7) is in conformity with the requirements of the council Directives on the approximation of the laws of the Member States relating :
(Fr) *est (sont) en conformité avec les exigences de la Directive du conseil, concernant les législations des états membres relatives :*

(8) to **"Machinery"** 2006/42/EC (17/05/2006)
(Fr) *aux "machines" 2006/42/EC (17/05/2006)*

(11) applicable harmonised standard(s) : ISO 12100.
(Fr) *Norme(s) harmonisée(s) applicable(s) :*

(12) NAME and POSITION of issuer :
(Fr) *NOM et FONCTION de l'émetteur :*

B.BLANCHET
(General Manager)

(13) Place & Date : Saint-Herblain, **03/02/2010**
(Fr) *Lieu et Date*



FEDERZÜG, BALANCER, BILANCIATORE, EQUILIBRADOR.

- DEUTSCH (GERMAN)** (1) **EG-KONFORMITÄTSERKLÄRUNG** - (2) Wir, **CHICAGO PNEUMATIC**- (3) Technische Datei beim EU - (4) erklären hiermit, daß das (die) Produkt(e) : - (5) Typ(en) : - (6) Produktherkunft - (7) den Anforderungen der EG-Richtlinie zur Angleichung der Rechtsvorschriften der Mitgliedsstaaten - (8) für "**Maschinen**" **2006/42/EG** (17/05/2006) - (11) geltende harmonisierte Norme(n) - (12) NAME und EIGENSCHAFT des Ausstellers : - (13) Datum
- NEDERLANDS (DUTCH)** (1) **E.G.-VERKLARING VAN OVEREENSTEMMING** - (2) De firma : **CHICAGO PNEUMATIC**- (3) Technisch bestand verkrijgbaar - (4) verklaart hierbij dat het (de) produkt(en) : - (5) type : - (6) Herkomst van het product - (7) in overeenstemming is (zijn) met de vereisten van de richtlijn van de Raad inzake de onderlinge aanpassing van de wetgevingen van de lidstaten betreffende : (8) "**machines**" **2006/42/CEE** (17/05/2006) - (11) geldige geharmoniseerde norm(en) - (12) NAAM en FUNCTIE van de opsteller : - (13) Datum
- SVENSKA (SWEDISH)** (1) **EG-DEKLARATION OM ÖVERENSSTÄMMELSE** - (2) Vi **CHICAGO PNEUMATIC**- (3) Teknisk fil tillgänglig från - (4) Förklarar att maskinen : - (5) Maskintyp : - (6) Produktens ursprung - (7) För vilken denna deklARATION gäller, överensstämmer med kraven i Ministerrådets direktiv om harmonisering av medlemsstaternas lagar rörande - (8) "**maskiner**" **2006/42/EEG** (17/05/2006) - (11) Harmoniserade standarder som tillämpats : - (12) Utfärdarens namn och befattning : - (13) Datum :
- NORSK (NORWEGIAN)** (1) **EF ERKLÆRING OM OVERENSSTEMMELSE** - (2) Vi Ets **CHICAGO PNEUMATIC**- (3) Teknisk dokument tilgjengelig - (4) Erklærer at produktet/produktene : - (5) av type : - (6) Produktets opprinnelse - (7) er i overensstemmelse med de krav som finnes i Ministerrådets direktiver om tilnærming av Medlemsstatenes lover vedrørende : - (8) "**maskiner**" **2006/42/EF** (17/05/2006) - (11) Harmoniserende standarder som er anvendt : - (12) Utsteders navn og stilling : - (13) Dato :
- DANSK (DANISH)** (1) **EF OVERENSSTEMMELSESERKLÆRING** - (2) Vi **CHICAGO PNEUMATIC**- (3) Teknisk dokument kan fås på - (4) erklærer at produktet(erne) : - (5) type : - (6) Produktets oprindelse - (7) er i overensstemmelse med kravene i Rådets Direktiv vedr. tilnærmelse mellem medlemslandenes love for - (8) "**maskiner**" **2006/42/EF** (17/05/2006) - (11) Gældende harmoniserede standarder : - (12) Udsteder, navn og stilling : - (13) Dato
- SUOMI (FINNISH)** (1) **ILMOITUS YHDENMUKAISUUDESTA EY** - (2) Me **CHICAGO PNEUMATIC**- (3) Tekniset tiedot saa EU:n - (4) vakuutamme, että tuote / tuotteet : - (4) - (5) tyyppi(-pit) : - (6) Tekniset tiedot saa EU:n - (7) on / ovat yhdenmukainen(-sia) neuvoston jäsen maiden lainsäädäntöä koskevien direktiivin vaatimusten kanssa, jotka koskevat : - (8) "**koneita**" **2006/42/EY** (17/05/2006)- (11) yhdenmukaistettu(-tut) soveltuva(t) standardi(t) : - (12) ilmoituksen antajan NIMI ja ASEMA - (13) Päiväys
- ESPAÑOL (SPANISH)** (1) **DECLARACION DE CONFORMIDAD CE** - (2) Nosotros **CHICAGO PNEUMATIC**- (3) Archivo técnico disponible en - (4) declaramos que el producto : - (5) tipo de máquina : - (6) Origen del producto - (7) es conforme a los requisitos de la Directiva del Consejo sobre la aproximación de las leyes de los Estados Miembros con relación - (8) a la "**maquinaria**" **2006/42/CE** (17/05/2006) - (11) normas armonizadas aplicadas : - (12) Nombre y cargo del expedidor : - (13) Fecha -
- PORTUGUÊS (PORTUGUESE)** (1) **DECLARAÇÃO DE CONFORMIDADE CE** - (2) Nós **CHICAGO PNEUMATIC**- (3) Ficheiro técnico disponível na - (4) declaramos que o produto : - (5) tipo de máquina : - (6) Origem do produto - (7) está em conformidade com os requisitos da Directiva do Conselho, referente às legislações dos Estados-membros relacionados com: - (8) "**maquinaria**" **2006/42/CE** (17/05/2006) - (11) Normas harmonizadas aplicáveis - (12) Nome e cargo do emissor: - (13) Data: -
- ITALIANO (ITALIAN)** (1) **DICHIARAZIONE DI CONFORMITÀ CE** - (2) La Società : **CHICAGO PNEUMATIC**- (3) File tecnico disponibile dal - (4) dichiara che il(i) prodotto(i): - (5) tipo: - (6) Origine del prodotto - (7) è (sono) in conformità con le esigenze previste dalla Direttiva del Consiglio, sulle legislazioni degli Stati membri relative: - (8) alle "**macchine**" **2006/42/CE** (17/05/2006) - (11) norma(e) armonizzata(e) applicabile(i): - (12) NOME e FUNZIONE del dichiarante - (13) Data - (14) O superiore.
- ΕΛΛΗΝΙΚΑ (GREEK)** (1) **ΔΗΛΩΣΗ ΠΙΣΤΟΤΗΤΑΣ ΕΚ** - (2) Η εταιρεία : **CHICAGO PNEUMATIC**- (3) Τεχνικός φάκελος διαθέσιμος - (4) δηλώνει υπεύθυνα ότι το(τα) προϊόν(-ντα) : - (5) τύπου(-ων) : - (6) Προέλευση προϊόντος - (7) είναι σύμφωνο(-α) προς τις απαιτήσεις της Οδηγίας του Συμβουλίου που αφορά την προσέγγιση των νομοθεσιών των κρατών μελών τις σχετικές με : - (8) τα "**μηχανήματα**" **2006/42/EOK** (17/05/2006) - (11) εφαρμοστέο(-α) εναρμονισμένο(-α) πρότυπο(-α) : - (12) ΟΝΟΜΑ και ΑΡΜΟΔΙΟΤΗΤΑ του δηλούντος : - (13) Ημερομηνία
- ČESKY (CZECH)** (1) **PŘEDKLÁŠENÍ O SOULADU S PŘEDPISY ES** - (2) My, firma **CHICAGO PNEUMATIC**- (3) Technický soubor, dostupný - (4) prohlašujeme, že výrobek (výrobky) : - (5) typ přístroje (přístrojů) : - (6) Původ výrobku - (7) je v souladu s požadavky směrníc Rady EU o aproximaci práva členských států EU, a to v těchto oblastech : - (8) „**přístroje**“ **2006/42/EC** (17/05/2006) - (11) *relevantní harmonizované normy* : - (12) Jméno a funkce osoby, která prohlášení vystavila - (13) Datum - (14) nebo vyšším
- SLOVENŠČINA (SLOVENIAN)** (1) **IZJAVA ES O SKLADNOSTI** - (2) Mi: **CHICAGO PNEUMATIC**- (3) Tehnična kartoteka je na voljo - (4) izjavljamo, da je izdelek (oziroma izdelki) : - (5) vrsta stroja (oziroma vrste) : - (6) Izvor izdelka - (7) v skladu z zahtevami direktiv Sveta Evrope o približevanju zakonodaje držav članic glede: - (8) "**strojev**" **2006/42/ES** (17/05/2006) - (11) *veljavnih harmoniziranih standardov* : - (12) Ime in funkcija izdajatelja - (13) Datum -
- POLSKI (POLISH)** (1) **UE –DEKLARACJA ZGODNOŚCI** - (2) My, firma **DESOUTTER**- (3) Plik techniczny jest dostępny w - (4) oświadczamy, że produkt (produkty) : - (5) urządzenie typu (typów) : - (6) Pochodzenie produktu - (7) jest (są) zgodne z wymogami Dyrektywy Rady, odpowiadającej ustawodawstwu krajów członkowskich i dotyczącej: - (8) "**maszyn i urządzeń**" **2006/42/UE** (17/05/2006) - (11) *stosowanych norm, wzajemnie zgodnych* : - (12) Nazwisko i stanowisko wydającego deklarację : - (13) Data -
- SLOVENSKY (SLOVAK)** (1) **DEKLARÁCIA ER O SÚHLASE** - (2) My: **CHICAGO PNEUMATIC**- (3) Technický súbor k dispozícii z - (4) prehlasujeme, že výrobok (y) : - (5) strojový typ(y) : - (6) Pôvod produktu alebo výrobku. - (7) zodpovedá požiadavkom Smerníc rady, týkajúcich sa aproximácie zákonov členských štátov, pre: - (8) "**strojné zariadenia**" **2006/42/EC** (17/05/2006) - (11) *zodpovedajúce harmonizačné normy* : - (12) Meno a funkcia vystavovateľa dokladu - (13) Dátum -
- Türkçe (TURKISH)** (1) ***UYGUNLUK BEYANI *** (2) Biz: ***CHICAGO PNEUMATIC *** (3) **Teknik dosya AT genel** - (4) aşağıda belirtilen ürünün (ürünlerin) : - (5) Makina türü (türleri) : - (6) **Ürünün kökeni** - (7) aşağıdakiler ile ilgili Üye Ülkelerin kanun benzerliklerinde ilgili konsey yönetmelikleri gereksinimleri ile uygunluğunu beyan ederiz: - (8) *****Makina Aksami**" **2006/42/EC*** (17/05/2006) - (11) uygulanabilir uyumlaştırılmış standart(lar) : - (12) Beyan eden kişinin ADI ve UNVANI: - (13) Tarih:

ES



⚠ ADVERTENCIA

Con el fin de reducir el riesgo de lesión, toda persona que utilice, instale, repare, mantenga, cambie accesorios o trabaje cerca de esta herramienta debe leer y comprender estas instrucciones antes de llevar a cabo cualquiera de las tareas antes mencionadas.

FR



⚠ ATTENTION

Pour réduire les risques d'accidents, il est impératif que toute personne qui utilise, installe ou répare cet outil, qui change des accessoires ou travaille à proximité lise attentivement ces instructions au préalable.

IT



⚠ ATTENZIONE

Per diminuire il rischio di eventuali danni fisici, è necessario che chiunque si appresti ad utilizzare, installare, riparare, eseguire la manutenzione o la sostituzione di accessori o che semplicemente lavori nelle strette vicinanze dell'utensile legga e capisca tutti i punti di queste istruzioni.

DE



⚠ VORSICHT

Um die Gefahr einer Verletzung so gering wie möglich zu halten, haben Personen, die dieses Werkzeug gebrauchen, installieren, reparieren, warten, Zubehör austauschen oder sich in der Nähe des Werkzeugs aufhalten, die folgenden Anweisungen zu beachten:

NL



⚠ WAARSCHUWING

Om de kans op verwondingen zo klein mogelijk te maken, dient iedereen die dit gereedschap gebruikt, installeert, repareert, onderhoudt, onderdelen ervan vervangt of in de buurt ervan werkt deze instructies goed te lezen.

NN



⚠ ADVARSEL

For å redusere risiko for skade skal enhver som bruker, installerer, reparerer, utfører vedlikehold eller skifter tilbehør på, eller som arbeider i nærheten av dette verktøyet, lese og forstå disse anvisningene før oppgavene utføres.

SV



⚠ VARNING

För att minska risken för skador måste alla som använder, installerar, reparerar, underhåller och ändrar tillbehör på, eller arbetar nära, detta verktyg ha läst och förstått dessa anvisningar innan sådana uppgifter utförs.