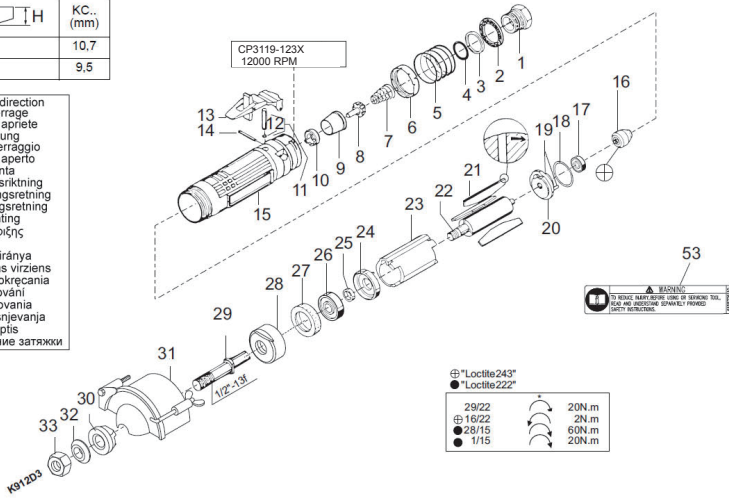


	KC.. (mm)
H maxi	10,7
H mini	9,5

- ★ Tightening direction  
Sens de serrage  
Sentido de apriete  
Anziehrichtung  
Senso di serraggio  
Sentido de aperto  
Kivistysuunta  
Atdragningsriktning  
Tilstrammingsretning  
Tilspændingsretning  
Schroefrichtung  
Φορά σσφιξης  
上紧方向  
Meghúzás iránya  
Pievilkšanas virziens  
Kierunek dokręcania  
Směr utahování  
Směr zatesňovania  
Sukimo kryptis  
Направление затяжки



CP3119-123X

rpm

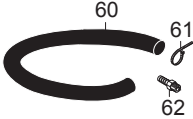
W (hp)

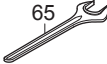
12000

900 (1.21)

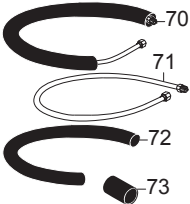
Item	New part no	Qty	Specific parts	Description
1	746.64	1		Adapter 3/8"
2	574.197	1		Silencer
3	643.75	1		Spacer
4	658.164	1		O ring
5	681.98	1		Spring
6	155.12	1		Valve
7	681.97	1		Spring-throttle
8	155.11	1		Throttle
9	430.23	1		Tube inlet
10	321.170	1		Seat throttle
11	312.80	1		Pin valve
12	658.198	1		O ring
13	321.154	1		Safety lever
14	637.145	1		Roll pin
15	6153962340	1		Motor housing
16	457.22	1		Governor 12K
17	6157581260	1		Ball bearing
18	656.148	1		Gasket
19	637.113	2		Roll pin
20	422.147	1		Rear plate
21	434.54	3		Vane
22	426.86	1		Rotor
23	400.132	1		Cylinder
24	420.130	1		Front plate
25	660.53	1		Spacer
26	753.64	1		Ball bearing
27	645.132	1		Spacer
28	672.130	1		Nut
29	6155011320	1		Shaft 1/2" UNC
30	6155031270	1		Rear flange
31	6155042140	1		Guard 3"
32	6155020440	1		Front flange
33	6156080450	1		Hex nut
53	6158726110	1		Warning instruction

## ACCESSORIES INCLUDED

	Item	New part no	Qty	Description
	60	6158751130	1	Exhaust hose L=60"
	61	6158734150	1	Hose clamp
	62	6157040170	1	Air hose nipple 3/8" for 3/8" ID hose

CP3119-123X	Item	New part no	Qty	Description
	65	6158010760	1	Flat wrench 3/4"

## OPTIONAL ACCESSORIES

	Item	New part no	Qty	Description
	70	6153961660	1	Complete silencer kit
	71	6158702100	1	Inlet hose ass. L=67"
	72	6158751160	1	Reinforced cloth lined exhaust hose L=30"
	73	6155704710	1	Insulation sleeve