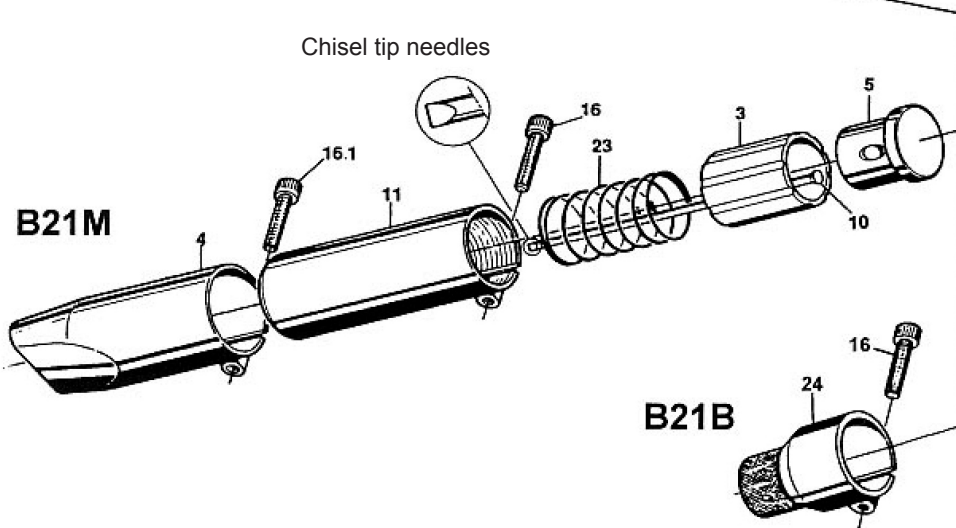
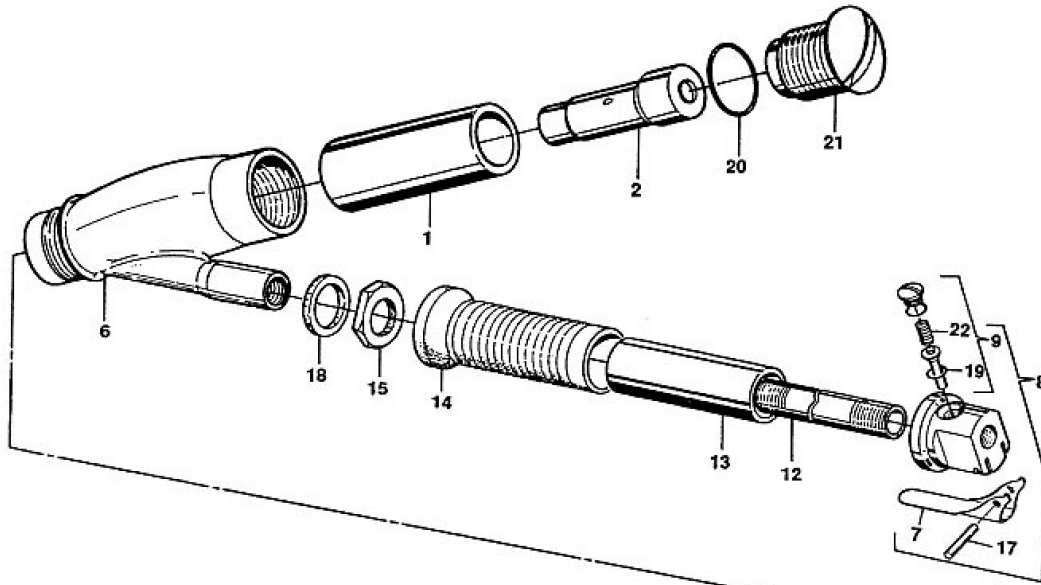



Accessories included


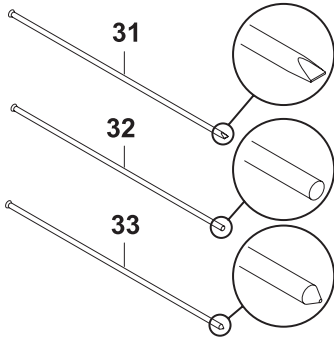
Item	Part No	Description	Qty
1	113.524	Body cylinder	1
2	143.526	Piston	1
3	6152505290	Needle holder Ø 4 mm	1
4	250.530	Straight front tube	1
5	6152505340	Anvil	1
6	303.518	Handle	1
7	321.574	Throttle lever	1
8	395.518	Valve body assembly (7-9-17)	1
9	399.745	Valve stem set (19-22)	1
10	399.749	Needle set Ø 4 mm	1
11	566.547	Intermediate tube	1
12	570.537	Inter tube	1
13	570.538	Handle tube	1
14	570.539	Grip	1
15	607.518	Locknut	1
16	616.111	Screw	1

Item	Part No	Description	Qty
16.1	616.111	Screw	1
17	637.116	Roll pin	1
18	650.29	Sealing washer	1
19	658.239	O-ring	1
20	658.243	O-ring	1
21	671.531	Cap	1
22	681.578	Valve spring	1
23	681.583	Compression string	1
24	6152505360	1/2" square tool retainer	1
		Name plate	1

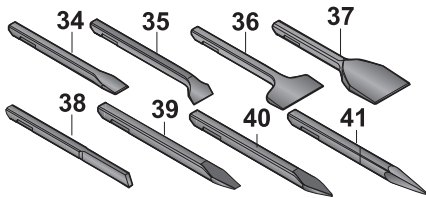
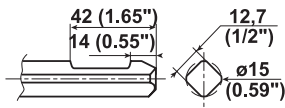
	6158727980	Warning label
	6159948780	Safety instructions
	6159943800	Operator's manual

Accessories included

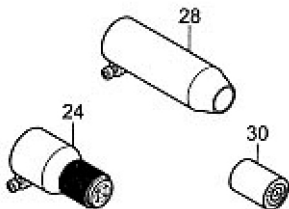

Item	Part No	Description	Qty
	6158020560	Hex. Key 6 mm	1
	6155961050	1/4" air hose nipple for 10 mm (3/8") ID hose	1

Optional accessories. Needle Sets. For all models


Item	Part No	Description	Qty
31	6153998190	Chisel tip needles, Ø 3 mm (1/8"), length 178 mm (7") (Qty 100)	1
32	6153998160	Flat tip needles, Ø 2 mm (5/64"), length 178 mm (7") (Qty 100)	1
32	6153998170	Flat tip needles, Ø 3 mm (1/8"), length 178 mm (7") (Qty 100)	1
32	6153998180	Flat tip needles, Ø 4 mm (5/32"), length 178 mm (7") (Qty 100)	1
33	6153998210	Pointed tip needles, Ø 3 mm (1/8"), length 178 mm (7") (Qty 100)	1
33	6153998220	Pointed tip needles, Ø 4 mm (5/32"), length 178 mm (7") (Qty 100)	1

Optional accessories Chisel Scalers : ISO 1/2" Square Shank Chisels


Item	Part No	Description	Qty
34	6158044430	Chisel 1/2", 7" (180 mm) long x 3/4" (19 mm) wide	1
35	6158044440	Angle chisel, 7" (180 mm) long x 1 3/8" (35 mm) wide	1
36	6158044450	Chisel 1/2", 7" (180 mm) long x 3 23/64" (60 mm) wide	1
37	6150039000	Spark-resistant chisel width 1 31/32" (50mm) wide	1
38	6158040620	Chisel, 7" (180 mm) long x 1/4" (6 mm) wide for brick joints	1
39	P073225	Flat chisel, 1 5/8" (15,9 mm) face, length 7 1/2" (191 mm)	1
39	P072213	Flat chisel, 1 3/8" (35 mm) face, length 4" (102 mm)	1
39	P084175	Flat chisel, 1 3/8" (35 mm) face, length 9" (229 mm)	1
39	P084176	Flat chisel, 1 3/8" (35 mm) face, length 12" (305 mm)	1
39	P084177	Flat chisel, 1 3/8" (35 mm) face, length 18" (457 mm)	1
39	P070982	Flat chisel, 44 mm face, length 5 3/8" (213 mm)	1
40	P073224	Cape 1/4" (6,4 mm) face, length 7 1/2" (191 mm)	1
41	P073223	Diamond Pt. 1/4" (6,4 mm) face, length 7 1/2" (191 mm)	1

Optional accessories


Item	Part No	Description	Qty
24	6152505360	1/2" square tool retainer	1
28	6152505350	Round adjustable sleeve	1
30	6152505370	Needle holder for 49 needles 3 mm (1/8")	1

Conversion to a chisel Hammer

Take out the intermediate casing (11) together with parts (23 - 3 - 10 and 5).
 In place of intermediate casing, fit the tool retaining sleeve (24) on the cylinder (1).