

Item	Part No	Description	Qty.
<b>A</b>	<b>CA129654</b>	<b>AIR INLET ASSEMBLY</b>	
1		BUSHING ASSY	1
2		SCREEN	1
<b>B</b>	<b>2050559953</b>	<b>THROTTLE VALVE KIT</b>	
3		SPRING-COMPRESSION	1
5	KF129106	VALVE-THROTTLE	1
6		STEM-THROTTLE VALVE	1
<b>C</b>	<b>2050559963</b>	<b>TRIGGER KIT</b>	
14		TRIGGER	1
15		DOWEL PIN	1
<b>D</b>	<b>2050559973</b>	<b>REVERSE VALVE KIT</b>	
24		O-RING	1
25		VALVE-REVERSE	1
28		PIN-DOWEL	1
50		PIN-STOP REV VALVE	1
51		SPRING	1
<b>E</b>	<b>2050559983</b>	<b>REAR COVER KIT</b>	
41		GASKET-HOUSING	1
42		COVER-HOUSING	1
44		SCREW-SOC HD CAP	4
46		LOCKWASHER	4
<b>F</b>	<b>2050559993</b>	<b>REAR END PLATE ASSEMBLY</b>	
54	C068659	BEARING-BALL	1
58		PLATE-UPPER END	1
<b>G</b>	<b>2050560003</b>	<b>FRONT END PLATE ASSEMBLY</b>	
65		PLATE-LOWER END	1
67	C063836	BEARING-BALL	1
<b>H</b>	<b>2050560013</b>	<b>TIMING SHAFT KIT</b>	
94		BALL-STEEL	1
100		PIN	1
102	CA129644	SPRING-COMPRESSION	1
103		SHAFT-TIMING	1
<b>I</b>	<b>2050560023</b>	<b>SOCKET RETAINING KIT - 3/4"</b>	<b>CP6060-P15R</b>
106		SNAP RING	5
107		O-RING	5

Item	Part No	Description	Qty.
<b>J</b>	<b>2050560033</b>	<b>CLUTCH HOUSING ASSEMBLY</b>	
44		SCREW-SOC HD CAP	4
46		LOCKWASHER	4
113		HOUSING-CLUTCH	1
114	CA129643	BUSHING-CLUTCH	1
115		SEAL-OIL	1
118		GASKET-CLUTCH HSG	1
<b>K</b>	<b>2050560043</b>	<b>GASKETS KIT</b>	
41		GASKET-HOUSING	1
118		GASKET-CLUTCH HSG	1
<b>L</b>	<b>2050560053</b>	<b>SCREWS KIT</b>	
44		SCREW-SOC HD CAP	8
46		LOCKWASHER	8
<b>M</b>	<b>2050560063</b>	<b>SMALL PARTS KIT</b>	
15		DOWEL PIN	1
28		PIN-DOWEL	1
50		PIN-STOP REV VALVE	1
51		SPRING	1
64		DOWEL PIN	1
100		PIN	1
		<b>OTHER PARTS AND SETS</b>	
32	2050554373	HOUSING MOTOR - SUB ASSEMBLY (Incl. Item #9, 26)	1
60	CA129649	LINER-AUTO	1
61	CA129648	ROTOR	1
62	CA145359	BLADE-ROTOR (SET OF 6)	1
92	CA129647	COUPLING	1
98	CA129645	DOG	1
105	C144729	3/4"(H) ANVIL	CP6060-P15H 1
105	CA144725	3/4"(R) ANVIL (Incl. Item #106, 107)	CP6060-P15R 1
105	CA144726	1"(H) ANVIL	CP6070-P15H 1
85	C130921	DIFFUSER-EXHAUST	1
-	C134690	RING-RETAINING 3/4" DIA 41MM	CP6060-P15H 1
-	C155472	RING-RETAINING 1" DIA 54MM	CP6070-P15H 1
-	2050557643	DECAL-SAFETY WARNING	1

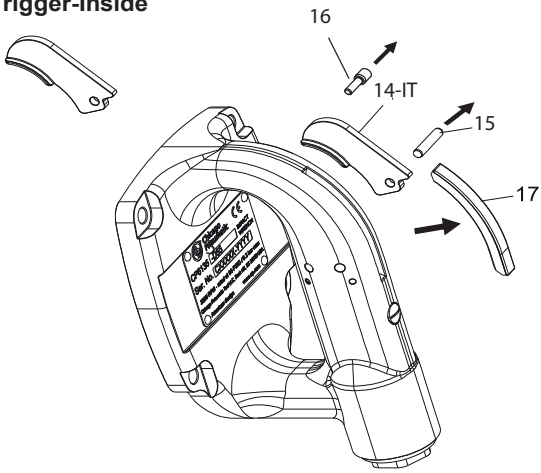
TOOL DOCUMENTS	
2050554393	OPERATOR'S MANUAL
6159948710	SAFETY INSTRUCTIONS

2050560073 TUNE UP KIT
24, 41, 62, 106, 107, 115, 118

Recommended accessories				
	Hose whip	Hose kit (incl. EasyFlow coupling)	Nipple	FRL kit (incl. EasyFlow coupling)
BSP (EURO 7.6mm)	6158112640	6153980575	6158105920	6153980375
NPT	CA049271	6153980615	6158105780	6153980405
NPT (Asia 7.5mm)	CA049271	6153980665	6158106850	6153980435

# Trigger Replacement Instructions

Trigger-Inside



Trigger -Outside

