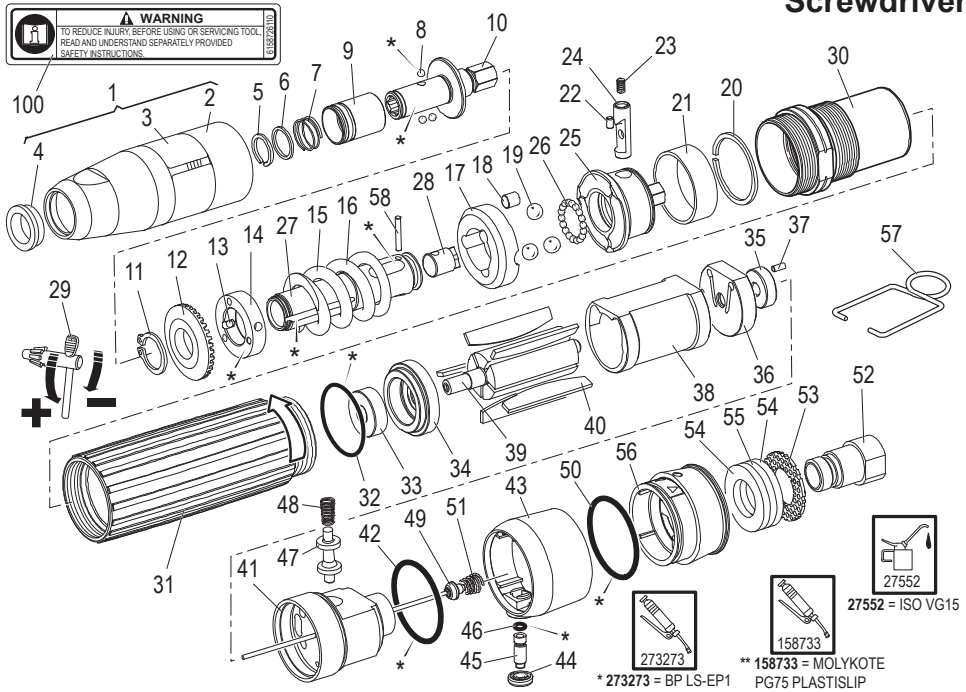


WARNING
TO REDUCE INJURY BEFORE USING OR SERVICING TOOL, READ AND UNDERSTAND SEPARATELY PROVIDED SAFETY INSTRUCTIONS.



Item	Part No.	Description	Qty.
1	2050480833	Clutch Module Case Complete	1
2	2050480053	Clutch Case	1
3	161253	Clip, spring	1
4	465873	Bearing	1
5	443773	Circlip	1
6	2050481893	Ring	1
7	301013	Spring	1
8	280313	Ball	3
9	2050481863	Sleeve	1
10	465633	Output Spindle	1
11	218453	Circlip	1
12	465663	Ring, adjusting	1
13	280313	Ball	4
14	465673	Ring, locking	1
15	465783	Spring, clutch	1
16	2050476253	Spring, clutch (0.7-2.2 Nm)	1
17	465683	Cam Follower	1
18	465743	Roller	3
19	093893	Ball, (6mm)	3
20	465793	Circlip	1
21	2050482073	Sleeve, retaining	1
22	2050482093	Roller	1
23	307123	Spring	1
24	2050482083	Latch Pin	1
25	465693	Cam, clutch	1
26	280313	Ball	18
27	465653	Spindle	1
28	465713	Star Cam	1
29	29932	Clutch Key	1
30	2050481283	Gearbox	1

Item	Part No.	Description	Qty.
31	2050480203	Motor Case	1
32	369163	'O' Ring	1
33	465983	Bearing, front	1
34	2050482113	Housing, front bearing	1
35	279863	Bearing, rear	1
36	2050482123	Housing, rear bearing	1
37	301043	Pin	1
38	465963	Cylinder	1
39	465953	Rotor, radial	1
40	465973	Blade, radial standard	5
41	466283	Housing Valve	1
42	200763	'O' Ring	1
43	2050482383	Collar Button	1
44	242993	Button, black	1
45	466363	Plunger, button	1
46	251733	'O' Ring	1
47	2050482153	Valve, reverse	1
48	466463	Spring	1
49	466733	Valve, complete	1
50	200763	'O' Ring	1
51	466453	Spring	1
52	2050482403	Bolt, air inlet, complete	1
53	2050482193	Baffle, exhaust	1
54	466823	Silencer	2
55	466793	Silencer	1
56	2050480223	Housing, exhaust	1
57	2050482253	Suspension Bail	1
58	205173	Pin	1
100	6158726110	Warning label	1

